

US00D593515S

(12) **United States Design Patent**
Nakagawa

(10) **Patent No.:** **US D593,515 S**
(45) **Date of Patent:** **** Jun. 2, 2009**

(54) **LIGHT-EMITTING DIODE**
(75) Inventor: **Katsutoshi Nakagawa**, Yokohama (JP)
(73) Assignees: **Kabushiki Kaisha Toshiba**, Tokyo (JP);
Toshiba Materials Co., Ltd.,
Yokohama-shi (JP)
(**) Term: **14 Years**
(21) Appl. No.: **29/323,644**
(22) Filed: **Aug. 28, 2008**

D534,876 S 1/2007 Inoue
D537,798 S 3/2007 Shin et al.
D538,240 S 3/2007 Inoue
D540,269 S 4/2007 Inoue
D541,759 S 5/2007 Shin et al.
D550,169 S 9/2007 Wu et al.
D550,170 S 9/2007 Yoon et al.
D551,181 S 9/2007 Son
D552,046 S 10/2007 Kim et al.
D557,223 S 12/2007 Kim et al.
D558,156 S 12/2007 Yoon et al.
D562,269 S 2/2008 Wu et al.
D562,271 S 2/2008 Son
D562,782 S 2/2008 Son

(30) **Foreign Application Priority Data**
Mar. 3, 2008 (JP) 2008-005002

(Continued)

(51) **LOC (9) Cl.** **13-03**
(52) **U.S. Cl.** **D13/180**
(58) **Field of Classification Search** D13/180;
D26/2; 257/79, 80, 81, 88, 89, 95, 98, 99,
257/100; 313/483, 498, 500; 362/555, 800
See application file for complete search history.

FOREIGN PATENT DOCUMENTS

CN ZL200630123951.4 5/2007
JP 1291705 1/2007
JP 1309105 9/2007
KR 30-0408372 3/2006
KR 30-0431436 11/2006
KR 30-0431438 11/2006

Primary Examiner—Selina Sikder
(74) *Attorney, Agent, or Firm*—Banner & Witcoff, Ltd.

(56) **References Cited**
U.S. PATENT DOCUMENTS

D478,877 S 8/2003 Hoshiba
D490,784 S 6/2004 Ishida
D491,538 S 6/2004 Ishida
D495,667 S 9/2004 Kim et al.
D497,349 S 10/2004 Hoshiba
D506,449 S 6/2005 Hoshiba
D508,233 S 8/2005 Kasae et al.
D512,693 S 12/2005 Kim et al.
D526,970 S 8/2006 Inoue
D526,971 S 8/2006 Inoue
D528,999 S 9/2006 Cho et al.
D529,451 S 10/2006 Kim et al.
D529,452 S 10/2006 Kim et al.
D529,877 S 10/2006 Inoue
D530,684 S 10/2006 Tzeng
D531,141 S 10/2006 Tzeng
D531,966 S 11/2006 Inoue
D532,382 S 11/2006 Inoue

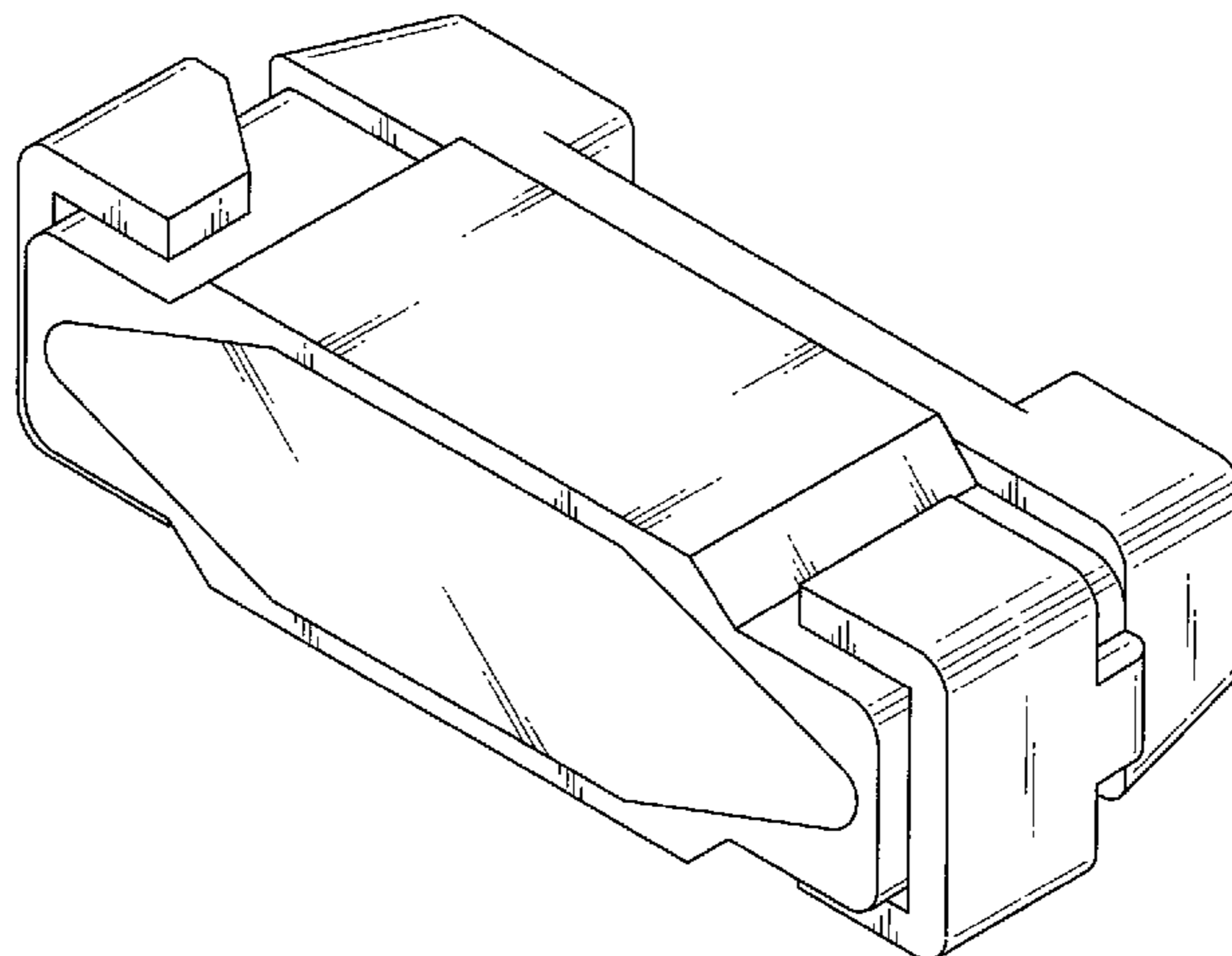
(57) **CLAIM**

The ornamental design for a light-emitting diode, as shown and described.

DESCRIPTION

FIG. 1 is a front, top and right side perspective view of a light-emitting diode, showing my new design;
FIG. 2 is a front view thereof;
FIG. 3 is a rear view thereof;
FIG. 4 is a top view thereof;
FIG. 5 is a bottom view thereof; and,
FIG. 6 is a right side view thereof; and the opposite side being a mirror image thereof.

1 Claim, 3 Drawing Sheets



US D593,515 S

Page 2

U.S. PATENT DOCUMENTS

D562,783 S	2/2008	Su et al.	D573,549 S	7/2008	Kong	
D566,054 S	4/2008	Kim et al.	D573,552 S	7/2008	Kim et al.	
D566,664 S	4/2008	Kong	D576,114 S	9/2008	Choi et al.	
D571,317 S	6/2008	Choi et al.	D578,491 S *	10/2008	Lee et al.	D13/180
D572,211 S	7/2008	Kim et al.	2006/0193121 A1 *	8/2006	Kamoshita	362/84

* cited by examiner

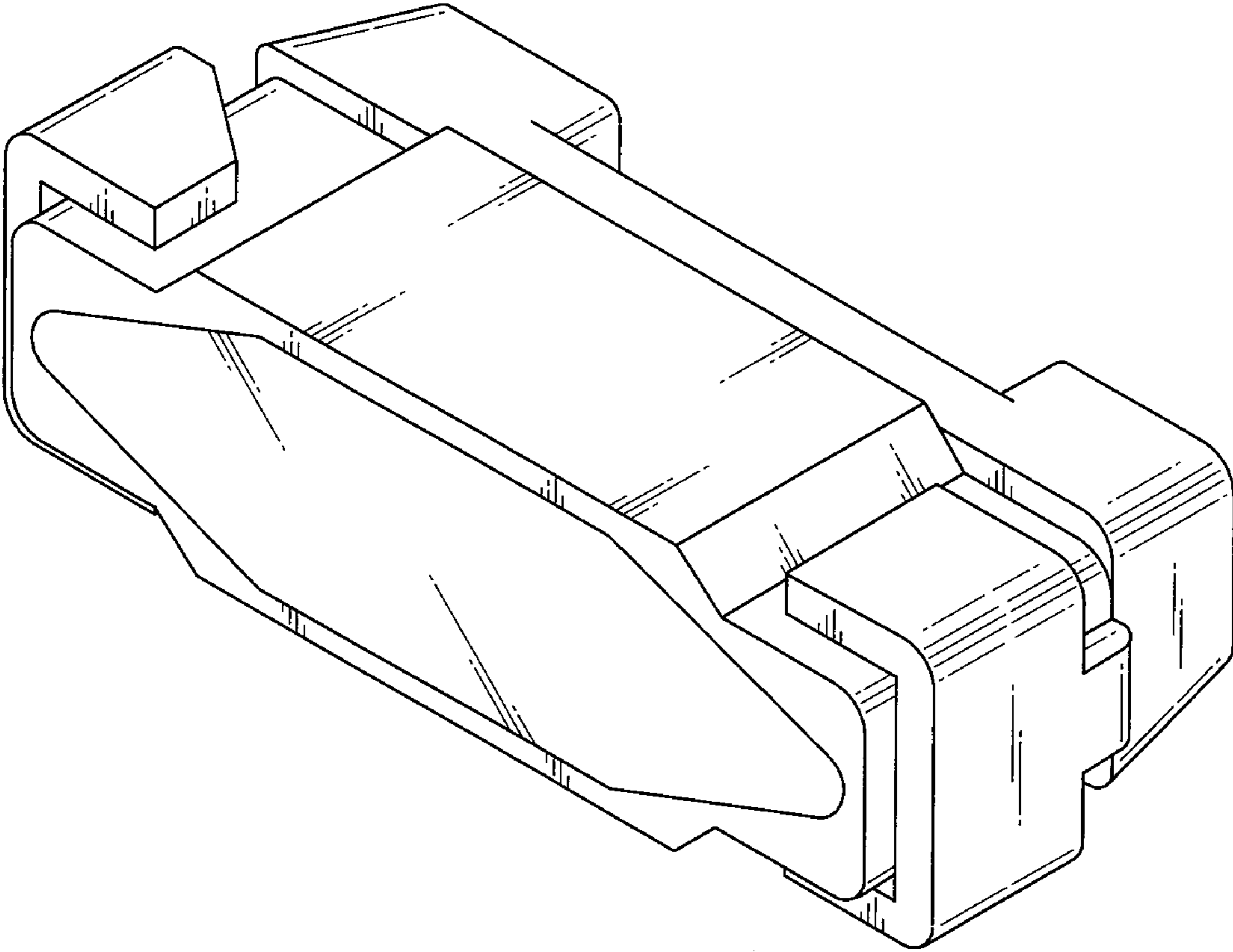


FIG. 1

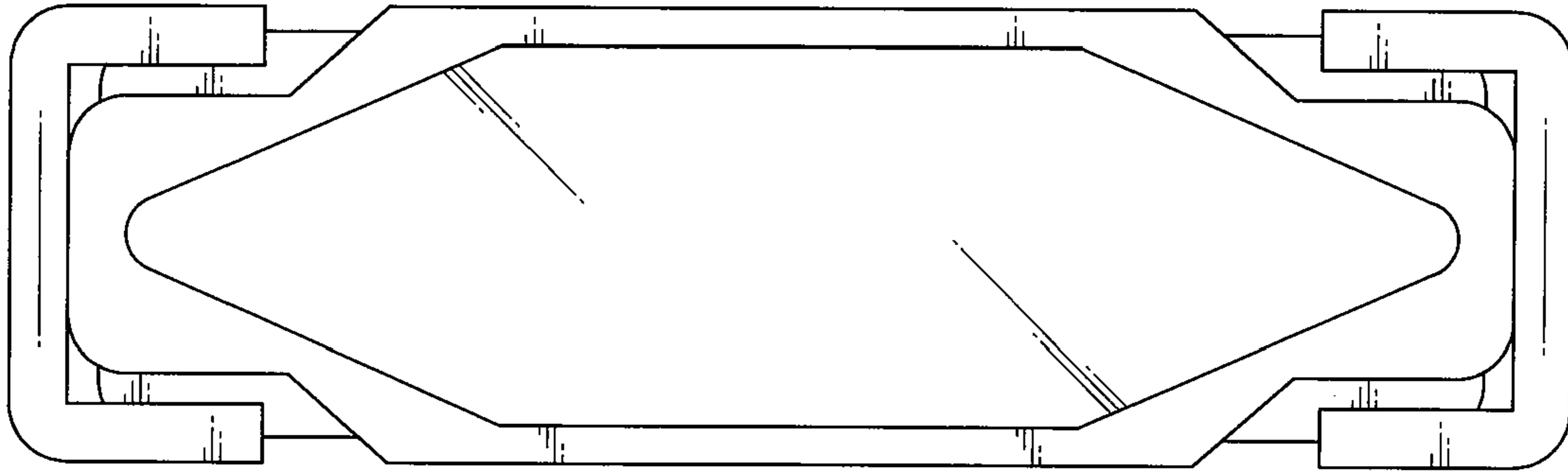


FIG. 2

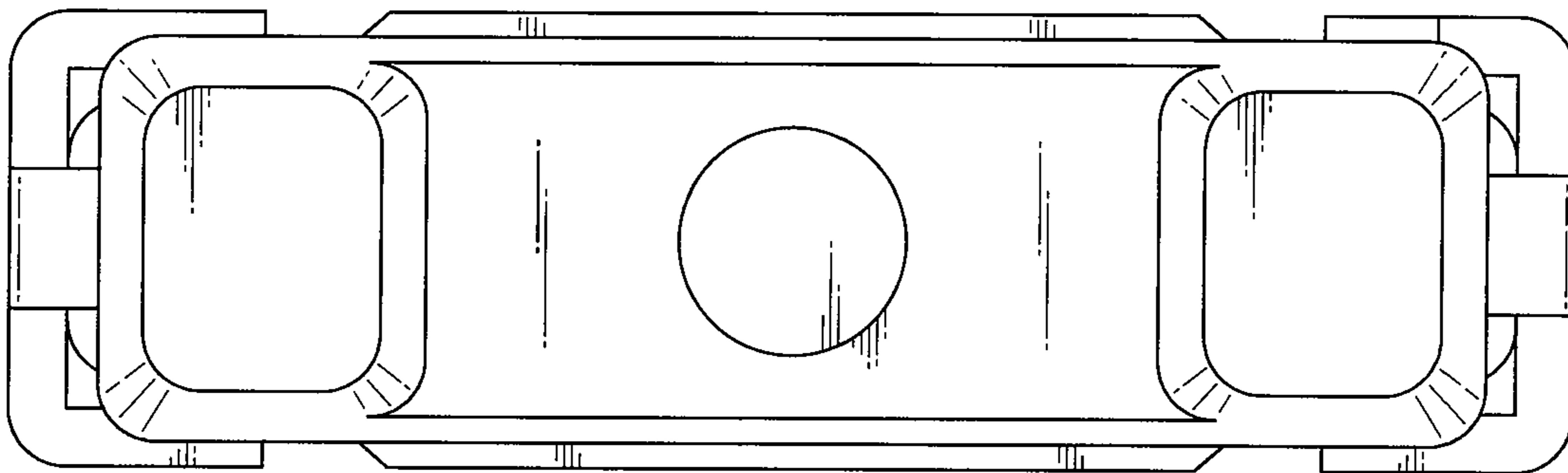


FIG. 3

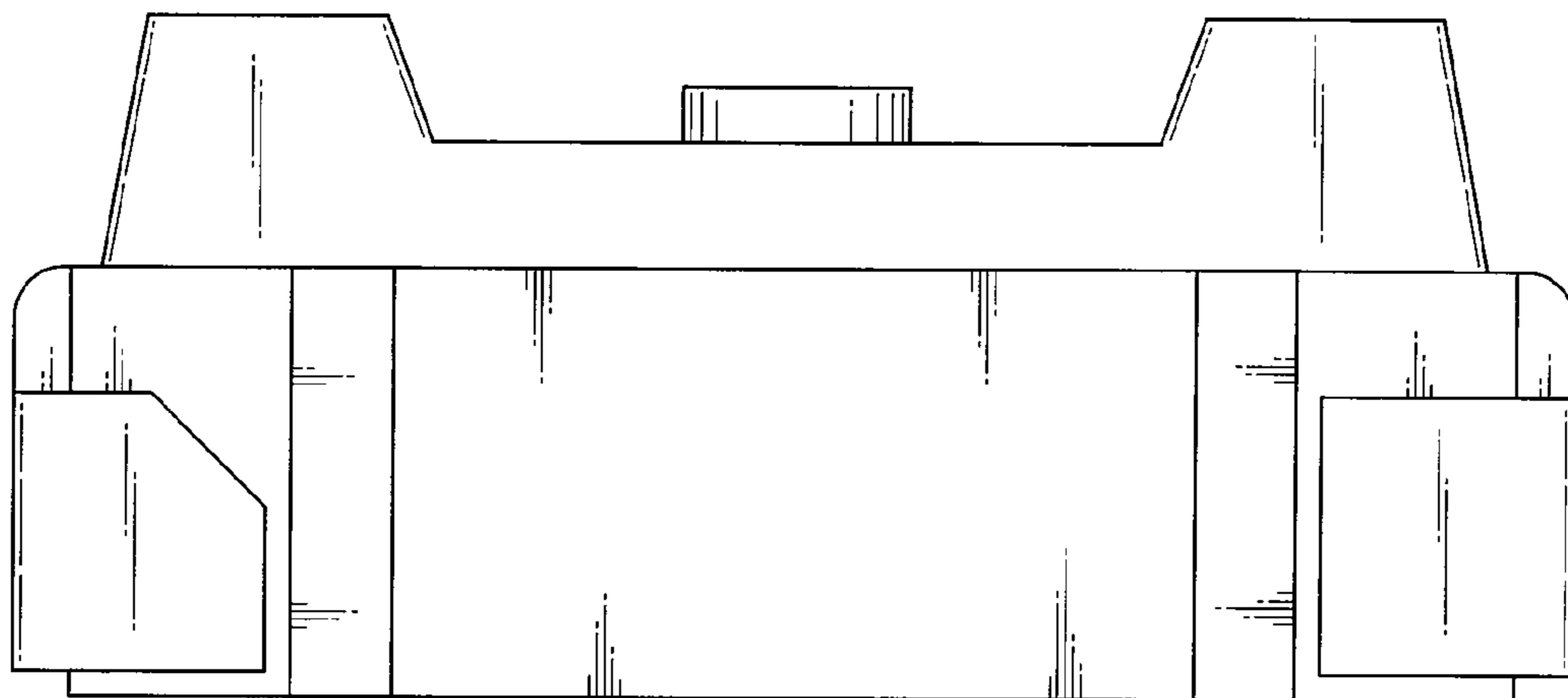


FIG. 4

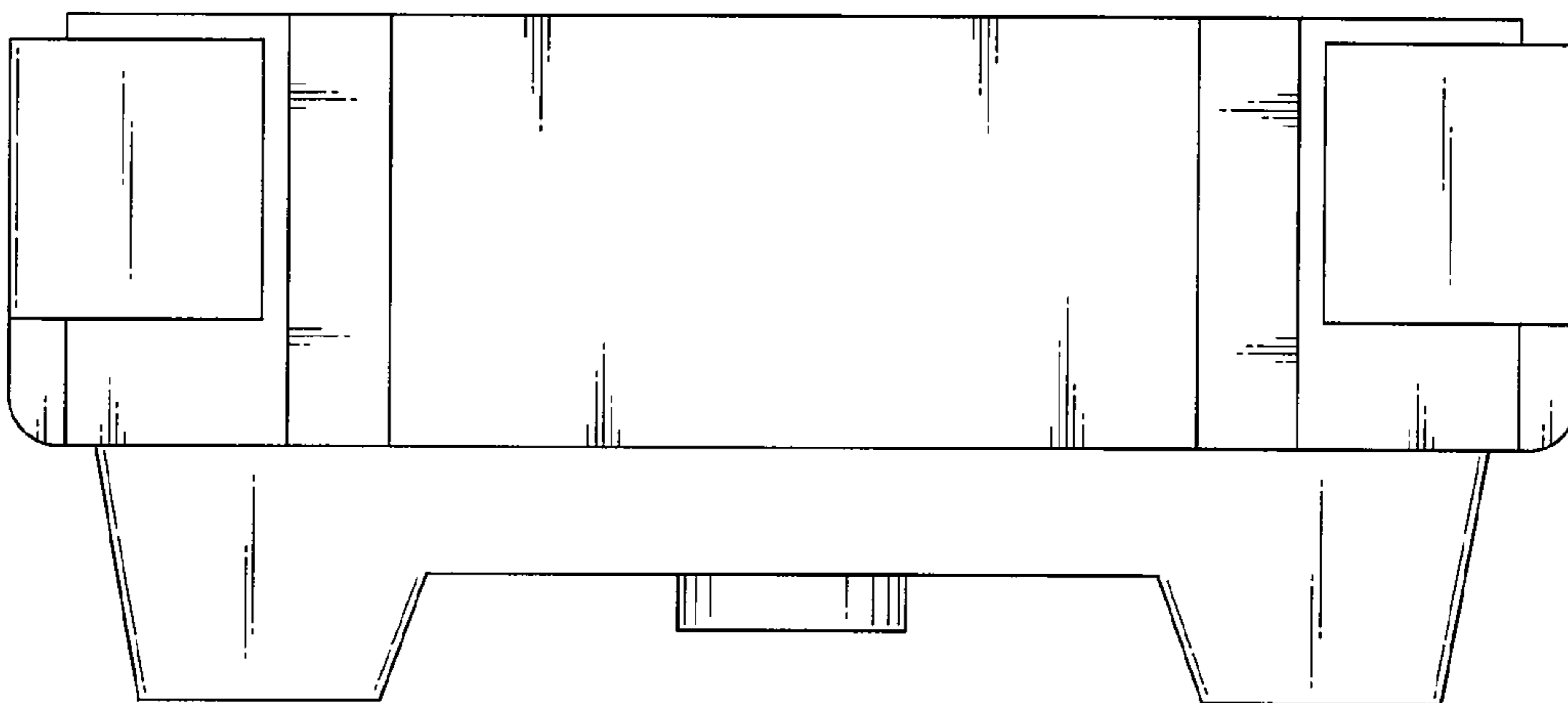


FIG. 5

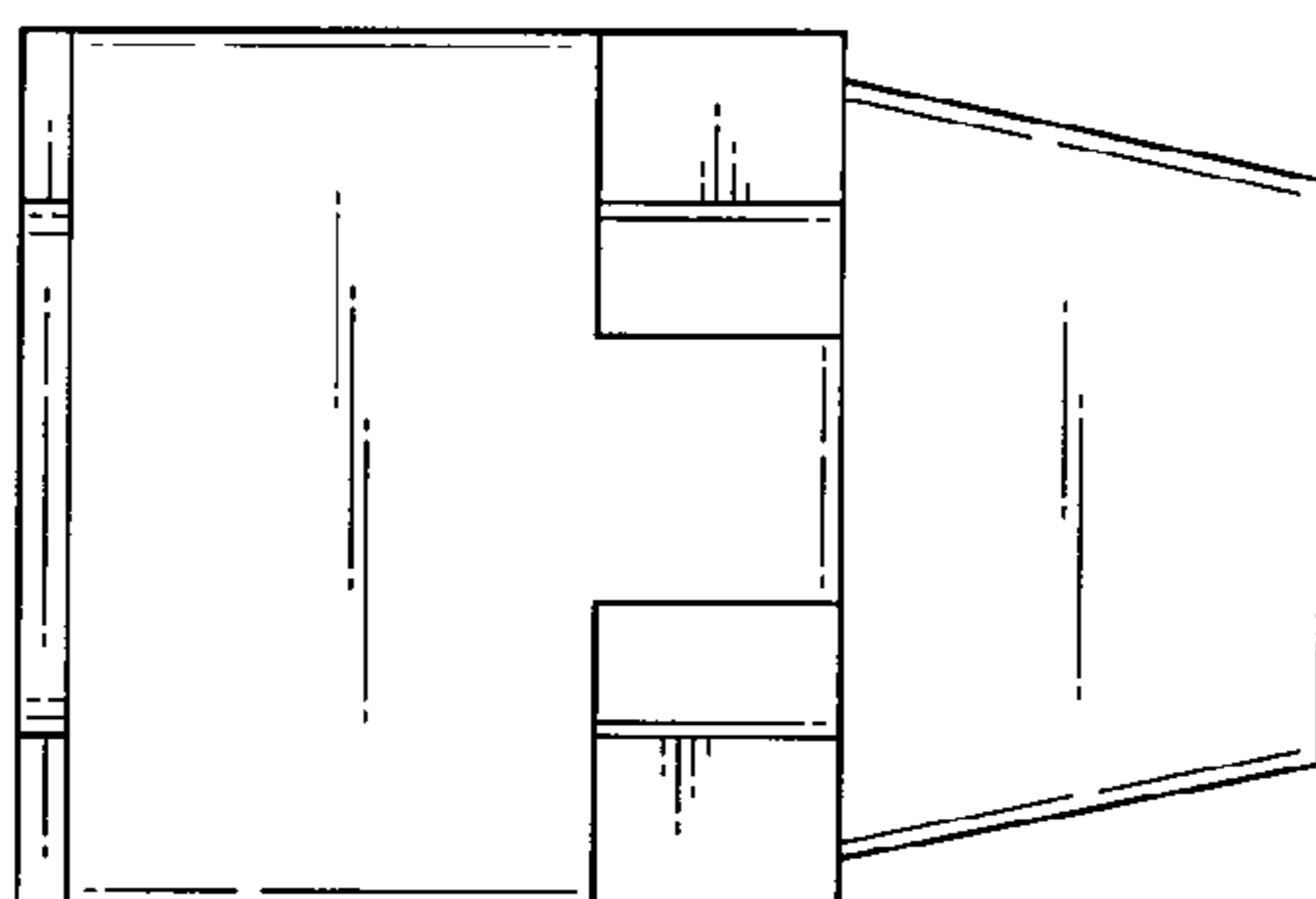


FIG. 6