



US00D593513S

(12) **United States Design Patent**
Chen et al.

(10) **Patent No.:** **US D593,513 S**
(45) **Date of Patent:** **** Jun. 2, 2009**

(54) **LED PACKAGE CARRIER**

(75) Inventors: **Chih-Ming Chen**, Hsinchu County (TW); **Yung-Chun Hsu**, Hsinchu County (TW); **Wei-An Chen**, Taoyuan County (TW)

(73) Assignee: **LightHouse Technology Co., Ltd.**, Hsinchu County (TW)

(**) Term: **14 Years**

(21) Appl. No.: **29/281,696**

(22) Filed: **Jun. 29, 2007**

(30) **Foreign Application Priority Data**

Mar. 13, 2007 (TW) 96301422

(51) **LOC (9) Cl.** **13-03**

(52) **U.S. Cl.** **D13/180**

(58) **Field of Classification Search** D13/180;
D26/2; 257/79, 80, 81, 88, 89, 95, 98, 99,
257/100; 313/483, 498, 500; 362/555, 800
See application file for complete search history.

(56) **References Cited**

U.S. PATENT DOCUMENTS

D529,451 S * 10/2006 Kim et al. D13/180
D529,452 S * 10/2006 Kim et al. D13/180
D531,141 S * 10/2006 Tzeng D13/180
D532,382 S * 11/2006 Inoue D13/180

D566,054 S * 4/2008 Kim et al. D13/180
D571,317 S * 6/2008 Choi et al. D13/180
2006/0193121 A1 * 8/2006 Kamoshita 362/84
2008/0142832 A1 * 6/2008 Chen et al. 257/99

* cited by examiner

Primary Examiner—Selina Sikder

(74) *Attorney, Agent, or Firm*—Jianq Chyun IP Office

(57) **CLAIM**

The ornamental design for a LED package carrier, as shown and described.

DESCRIPTION

FIG. 1 is a perspective view of a LED package carrier showing an first embodiment of the new design;

FIG. 2 is a front view of the first embodiment;

FIG. 3 is a rear view of the first embodiment;

FIG. 4 is a left side view of the first embodiment;

FIG. 5 is a right side view of the first embodiment;

FIG. 6 is a top view of the first embodiment;

FIG. 7 is a bottom view of the first embodiment;

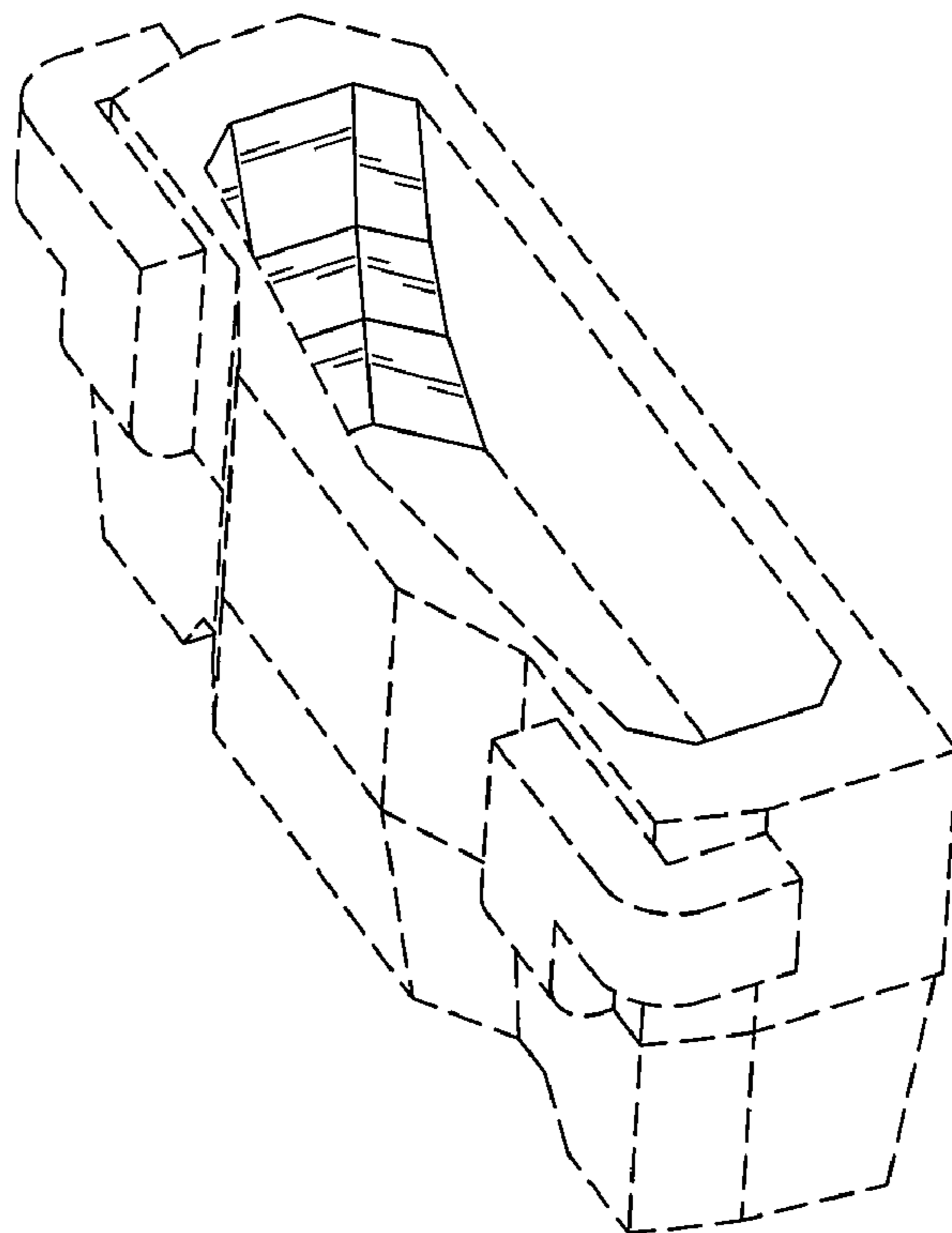
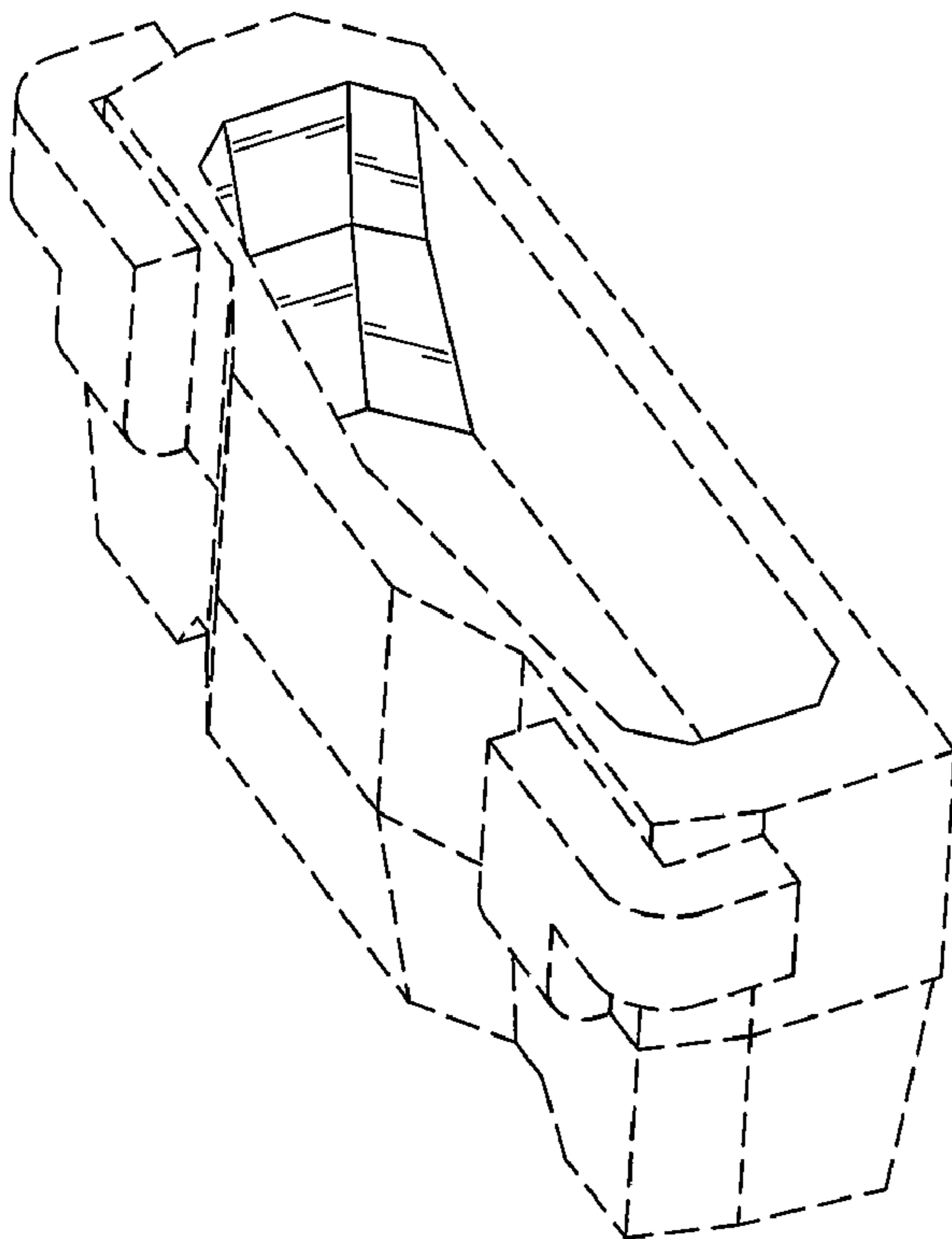
FIG. 8 is another perspective view of the first embodiment;

FIG. 9 is a perspective view of a second embodiment; and,

FIG. 10 is a front view of the second embodiment of FIG. 9.

The broken lines shown in FIGS. 1–10 are for illustrative purposes only and do not form part of the claimed design.

1 Claim, 7 Drawing Sheets



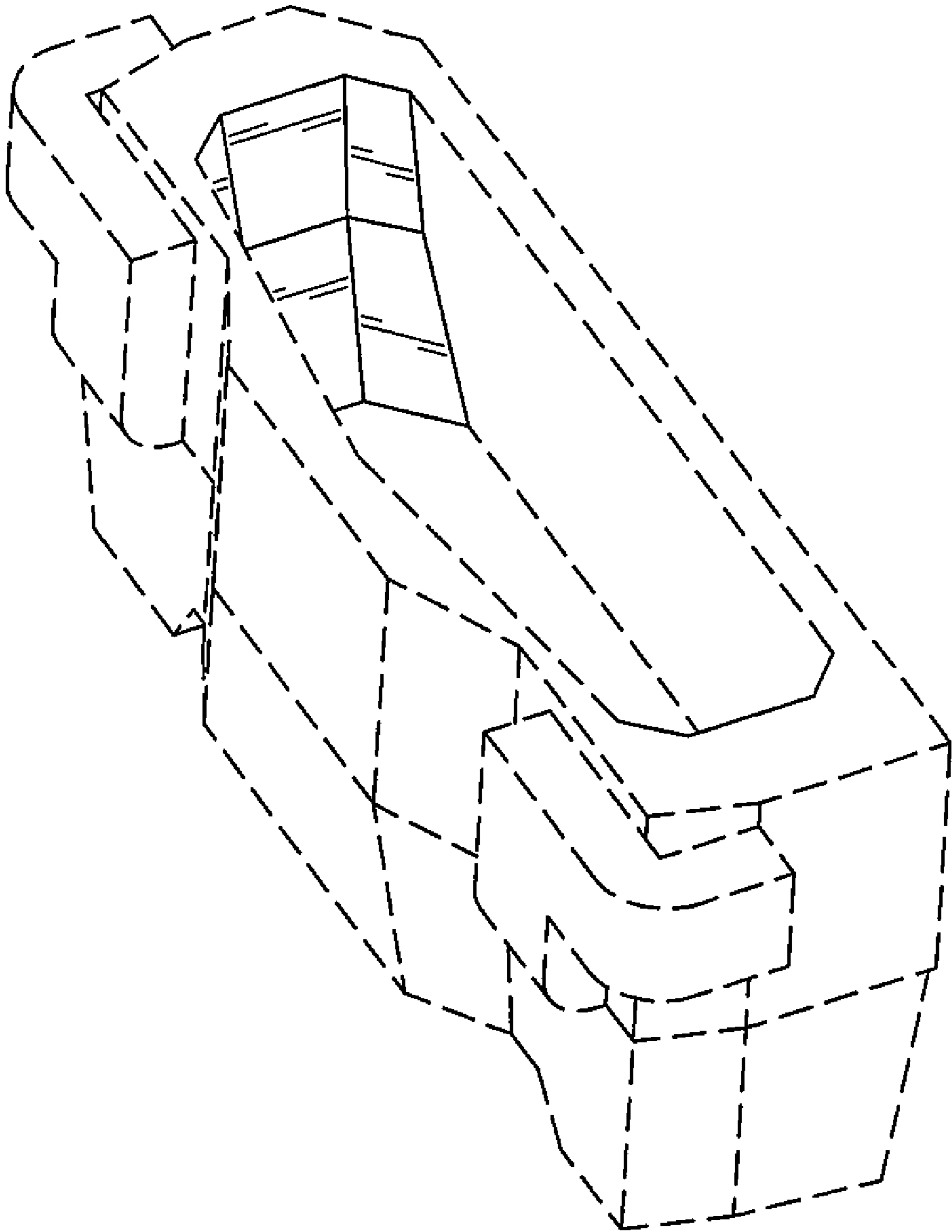


FIG. 1

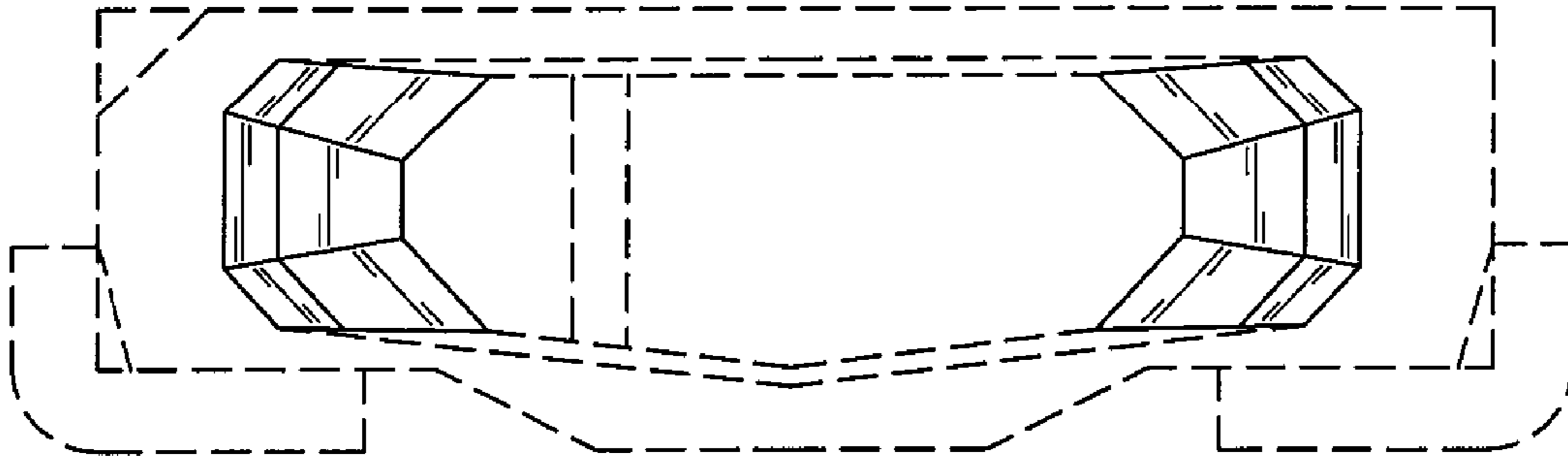


FIG. 2

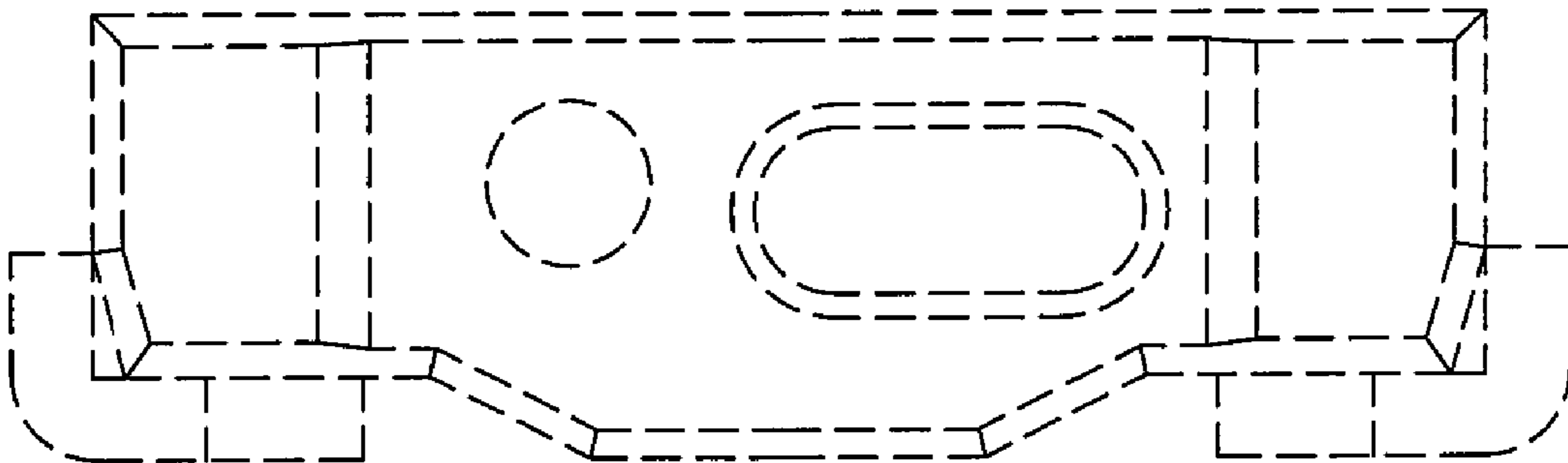


FIG. 3

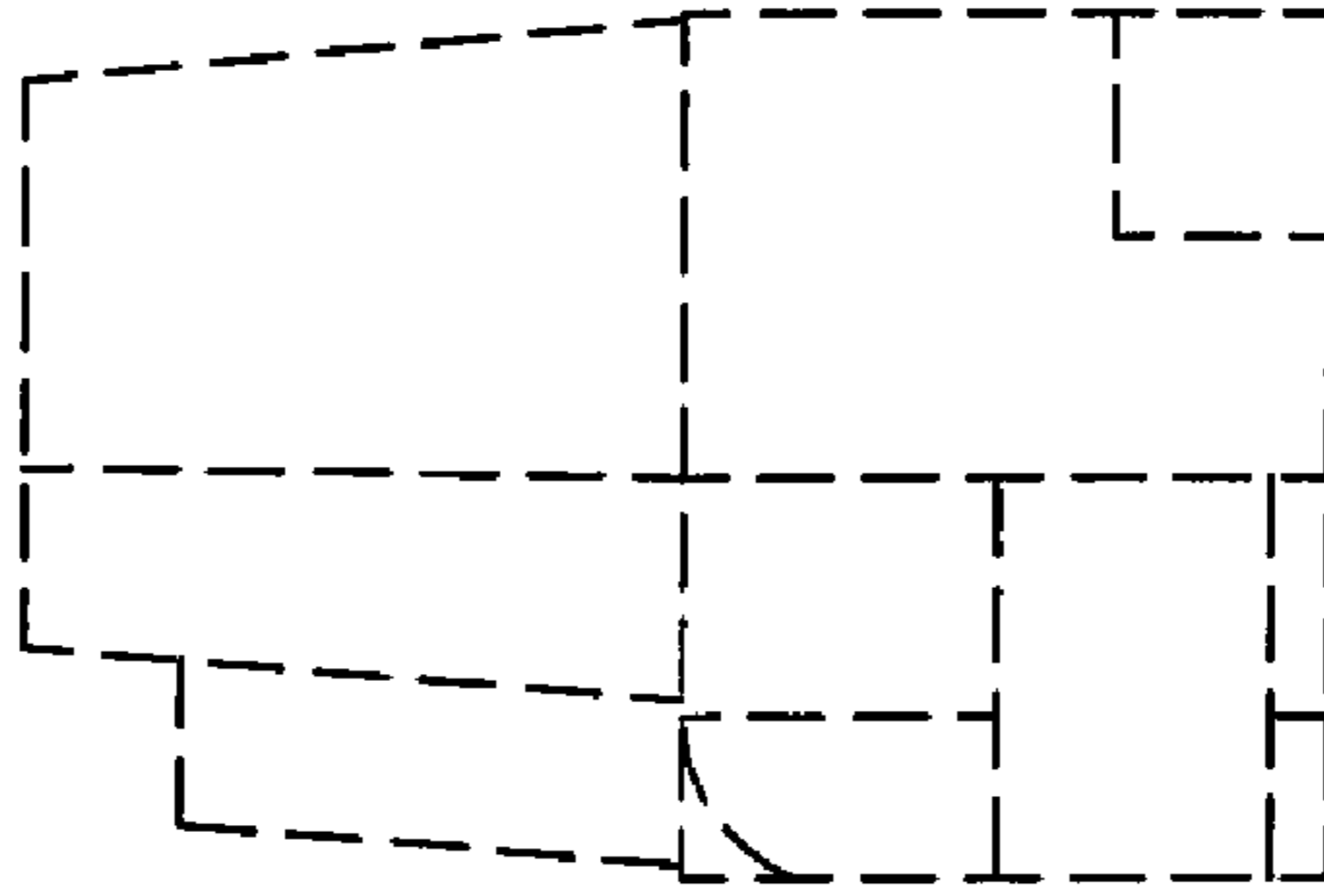


FIG. 4

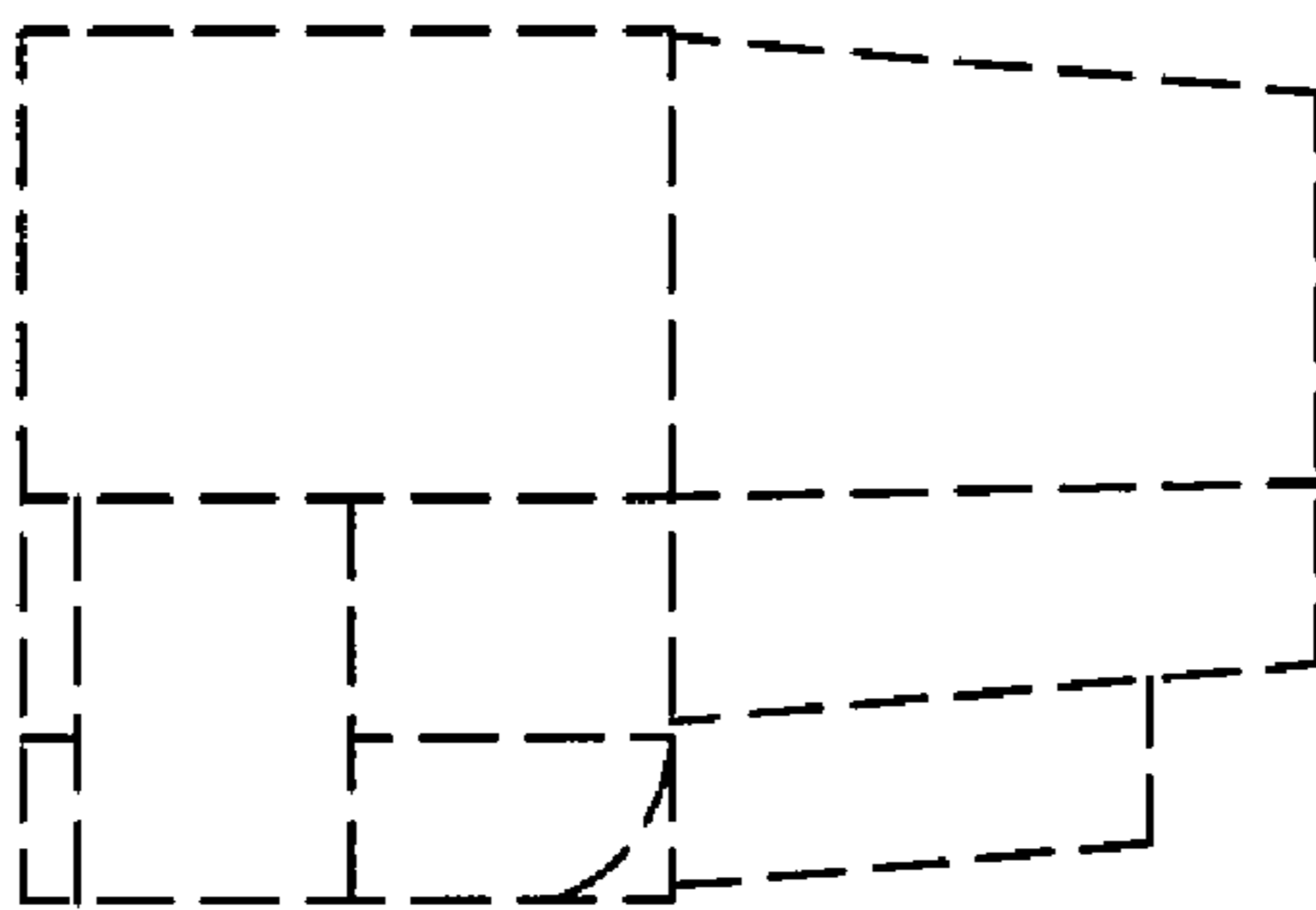


FIG. 5

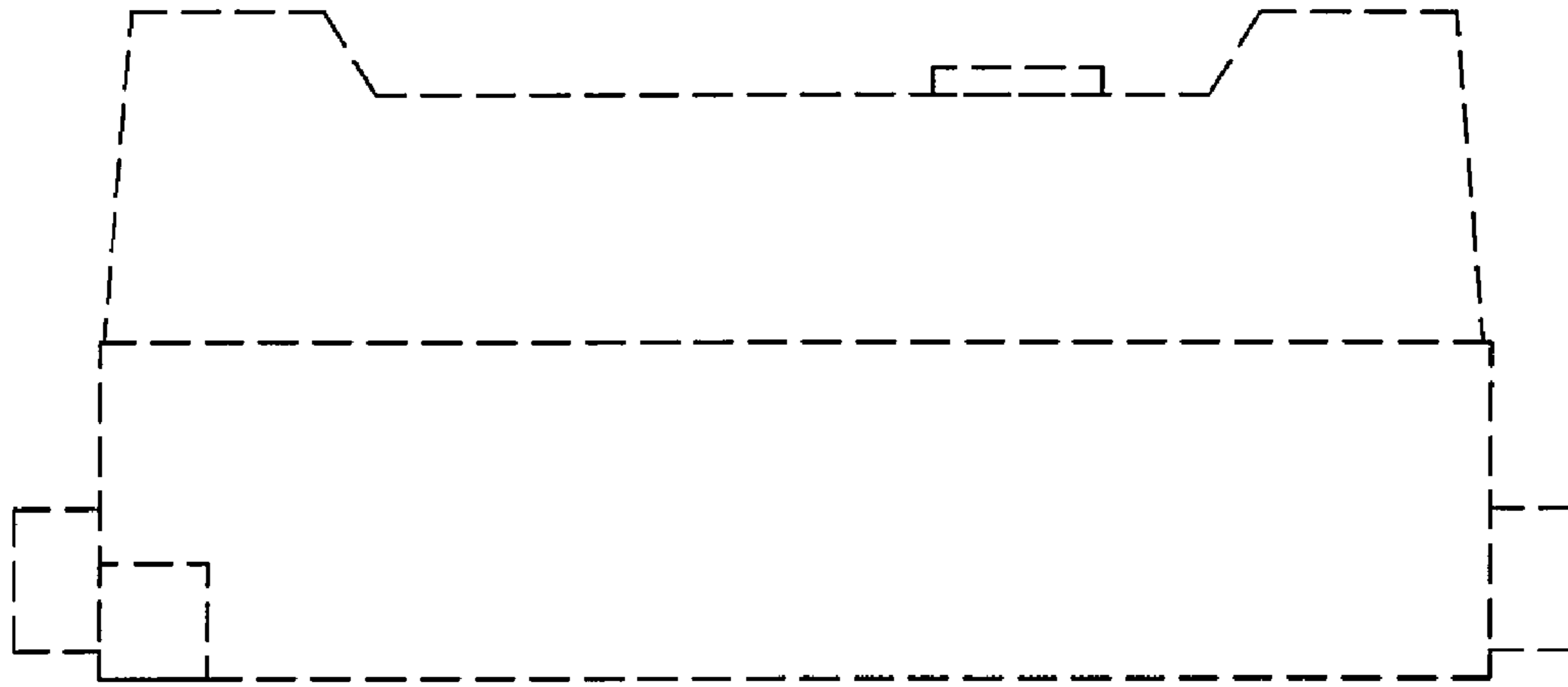


FIG. 6

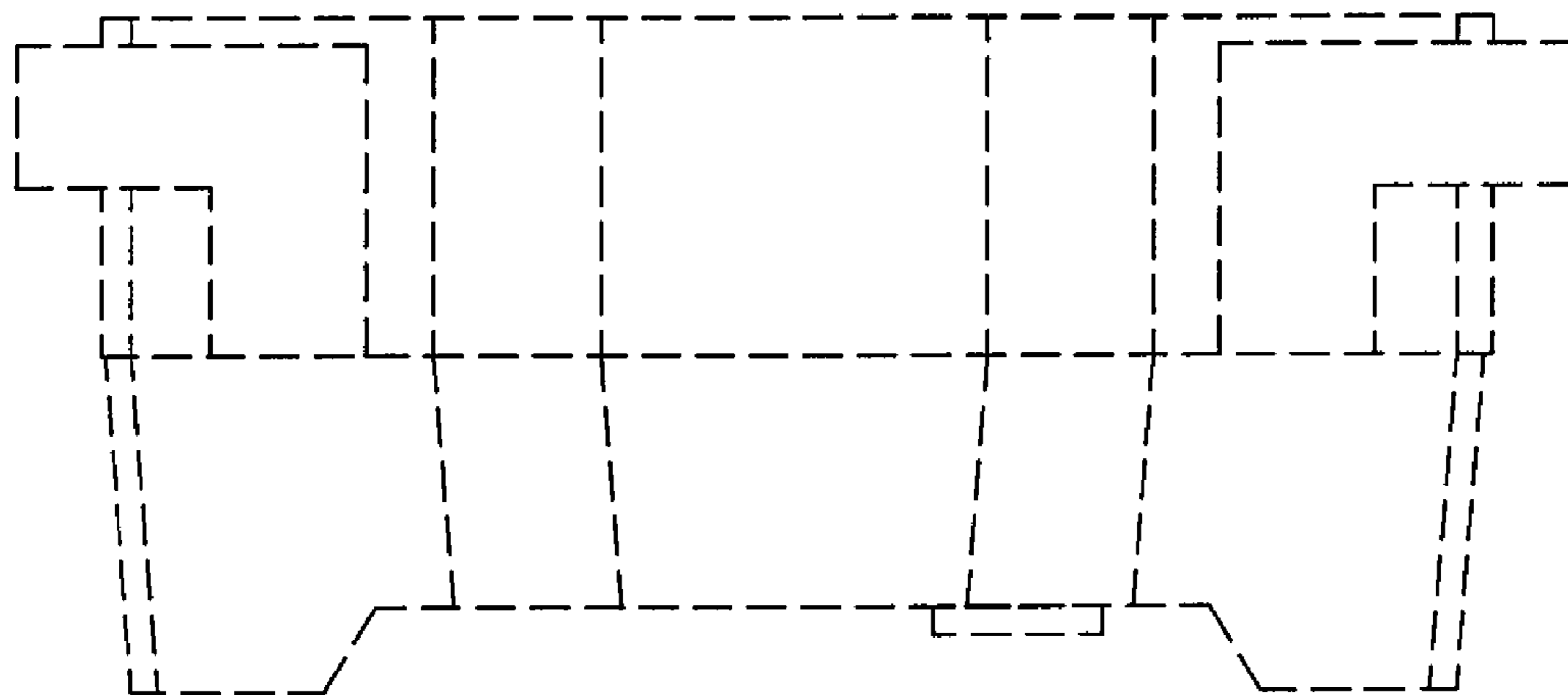


FIG. 7

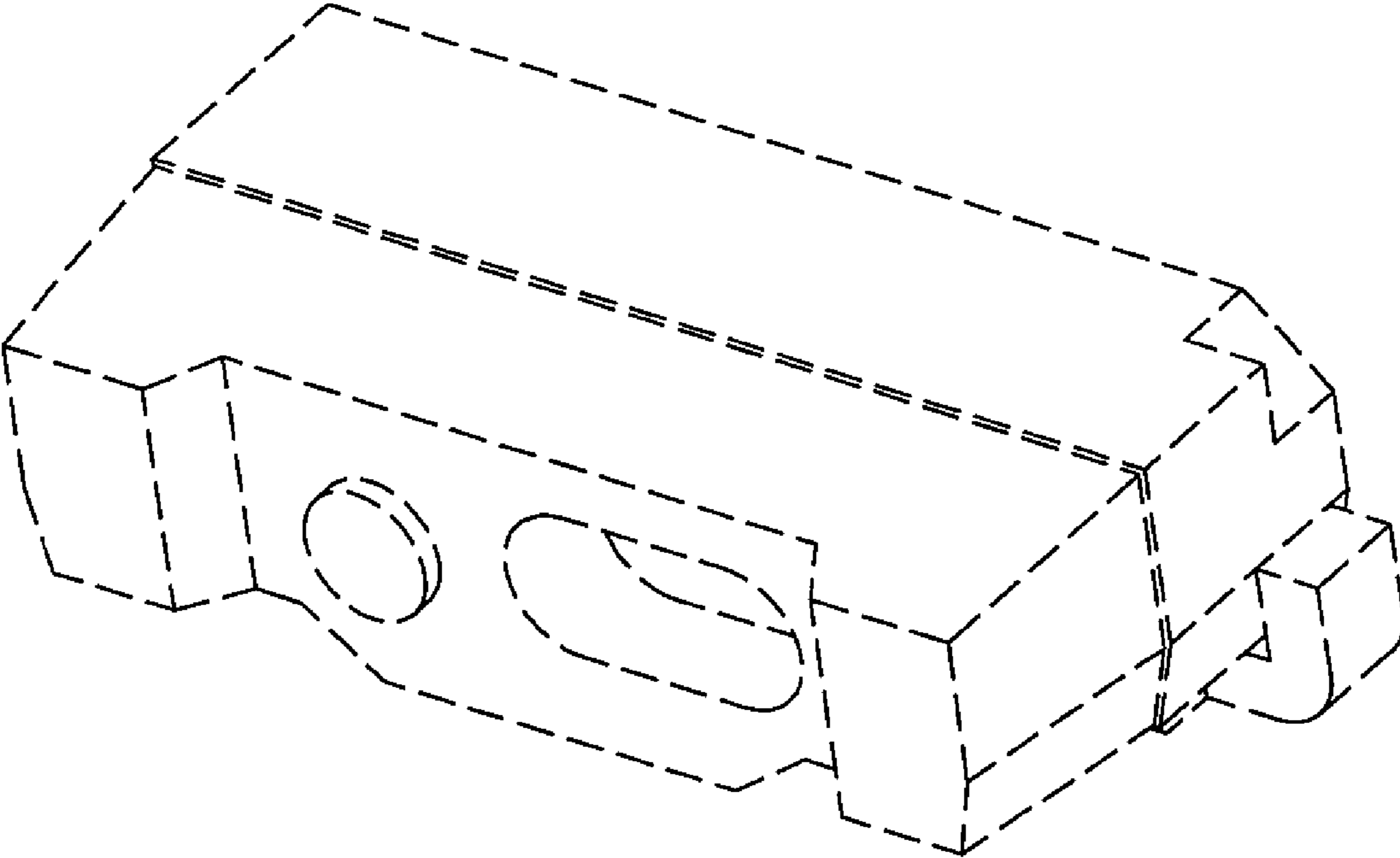


FIG. 8

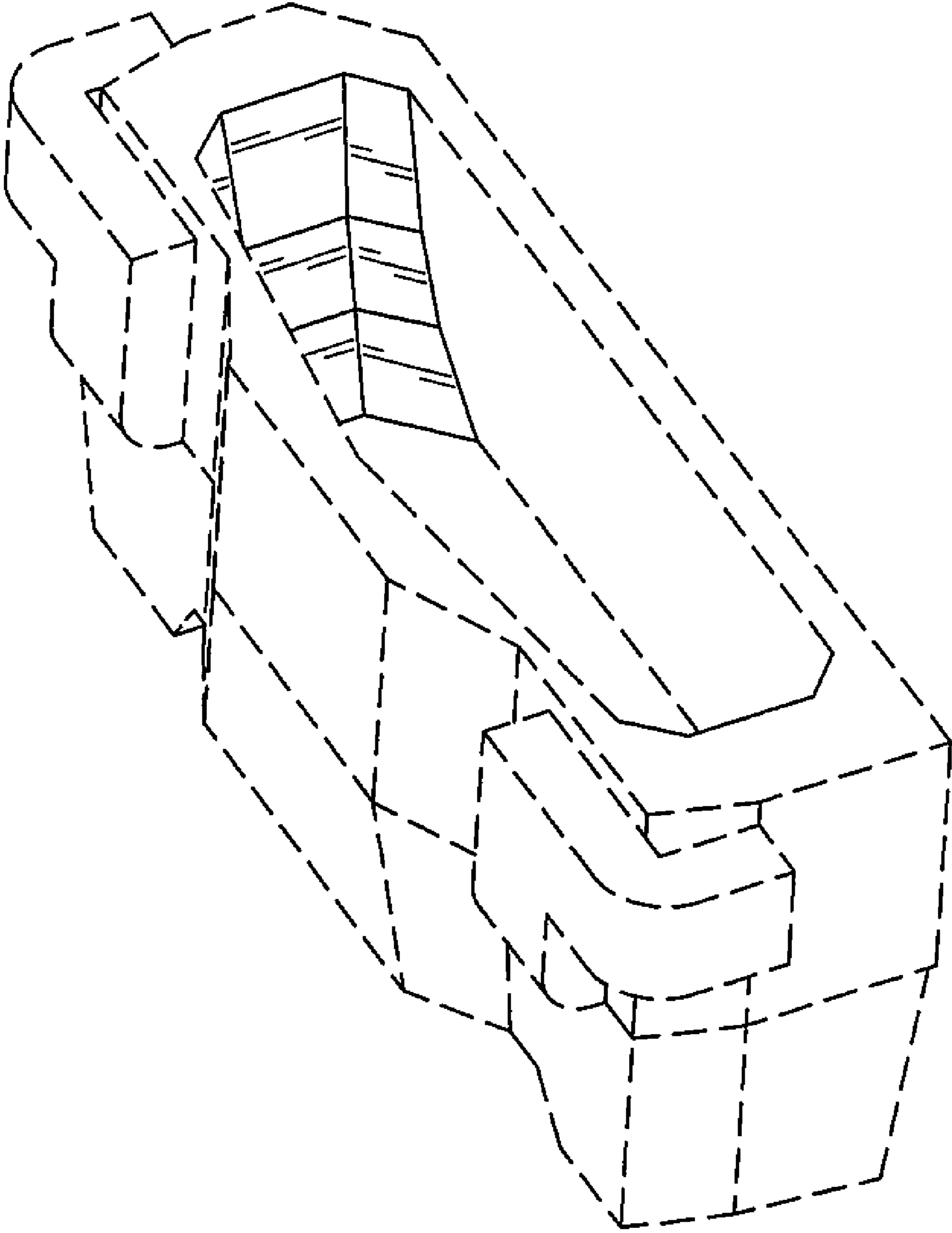


FIG. 9

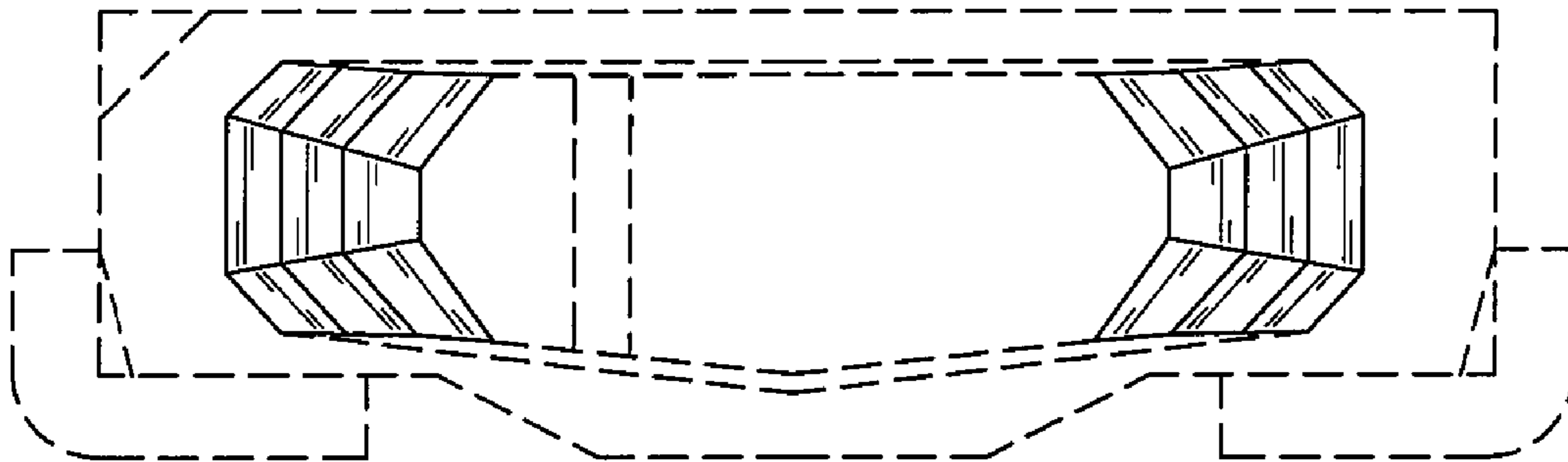


FIG. 10