



US00D593512S

(12) **United States Design Patent**
Lin

(10) **Patent No.:** **US D593,512 S**
(45) **Date of Patent:** **** Jun. 2, 2009**

(54) **HEAT SINK**
(75) Inventor: **Sheng-Huang Lin**, Sinjhuang (TW)
(73) Assignee: **Asia Vital Components Co., Ltd.**,
Sinjhuang, Taipei County (TW)
(**) Term: **14 Years**
(21) Appl. No.: **29/321,757**
(22) Filed: **Jul. 23, 2008**

6,913,072 B2 * 7/2005 Luo 165/104.21
7,200,934 B2 * 4/2007 Carter et al. 29/890.03
2004/0240182 A1 * 12/2004 Shah 361/704
2005/0061480 A1 * 3/2005 Carter et al. 165/80.3
2007/0014089 A1 * 1/2007 Huang 361/695
2008/0295993 A1 * 12/2008 Chen et al. 165/80.3

* cited by examiner

Primary Examiner—Selina Sikder
(74) *Attorney, Agent, or Firm*—James J. Paige; Nikolai & Mersereau, P.A.

(30) **Foreign Application Priority Data**
Mar. 27, 2008 (TW) 97301787
(51) **LOC (9) Cl.** **13-03**
(52) **U.S. Cl.** **D13/179**
(58) **Field of Classification Search** D13/179;
165/80.3, 104.33, 151, 122, 185; 257/706,
257/707, 718–722; 361/687, 695, 697, 700,
361/702, 704, 709, 710, 711, 719
See application file for complete search history.

(57) **CLAIM**

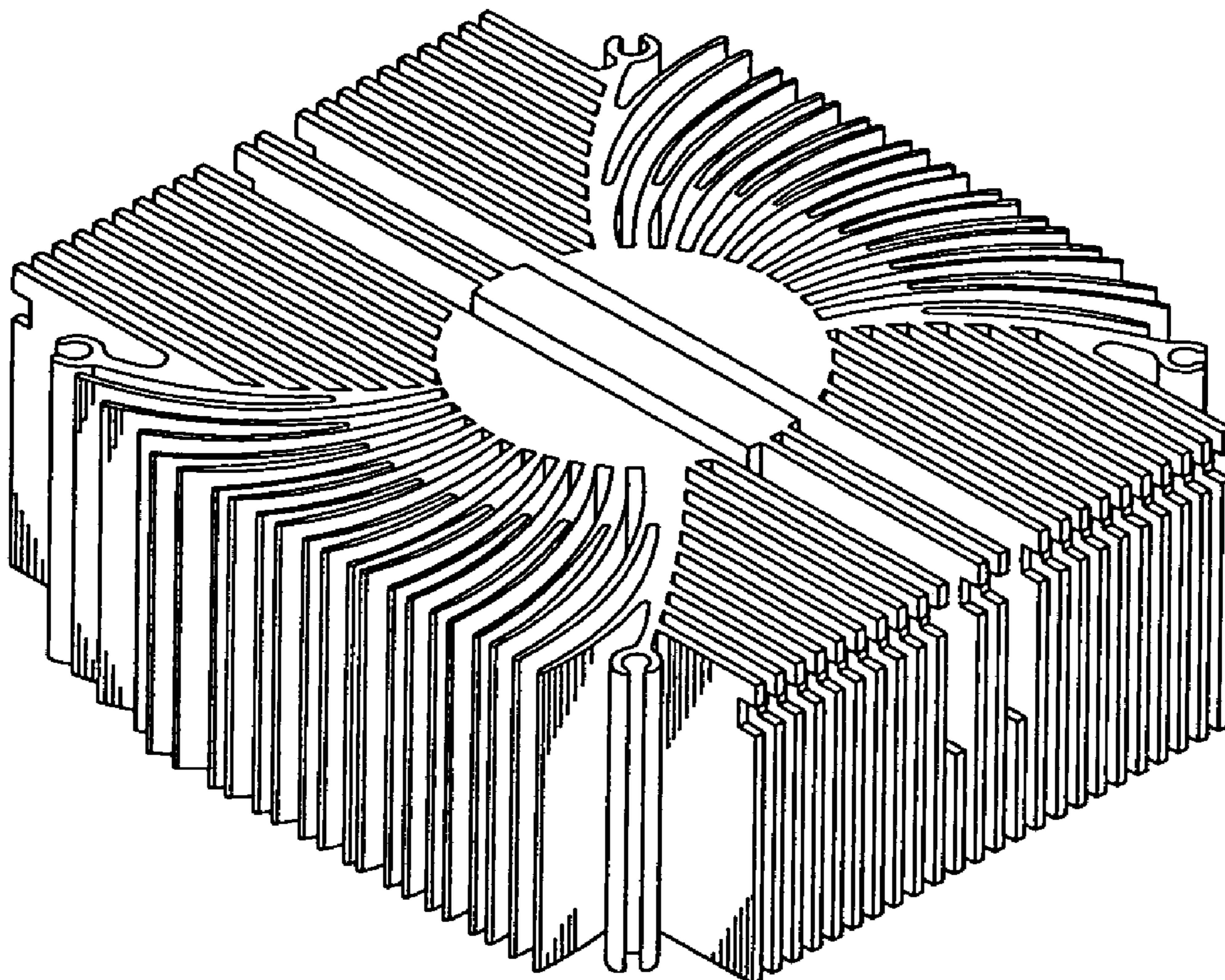
The ornamental design for a heat sink, as shown and described.

DESCRIPTION

FIG. 1 is a front isometric view of a heat sink showing my new design;
FIG. 2 is a front view of a heat sink;
FIG. 3 is a rear view thereof,
FIG. 4 is a left side view thereof,
FIG. 5 is a right side view thereof;
FIG. 6 is a top plan view thereof; and
FIG. 7 is a bottom plan view thereof

(56) **References Cited**
U.S. PATENT DOCUMENTS
5,597,034 A * 1/1997 Barker et al. 165/80.3
D442,566 S * 5/2001 Chou et al. D13/179
D476,958 S * 7/2003 Tsai D13/179
6,671,172 B2 * 12/2003 Carter et al. 361/697

1 Claim, 7 Drawing Sheets



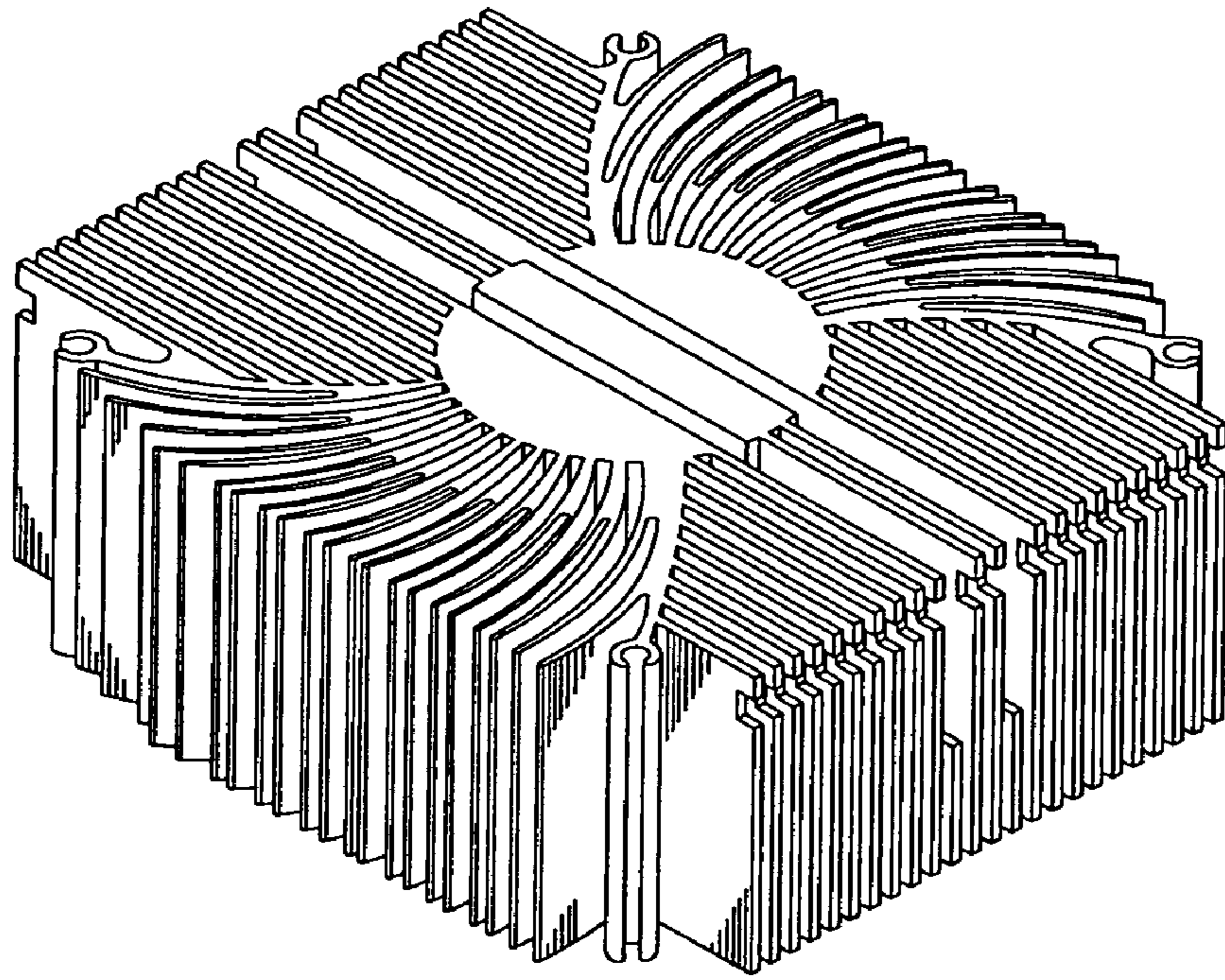


Fig. 1

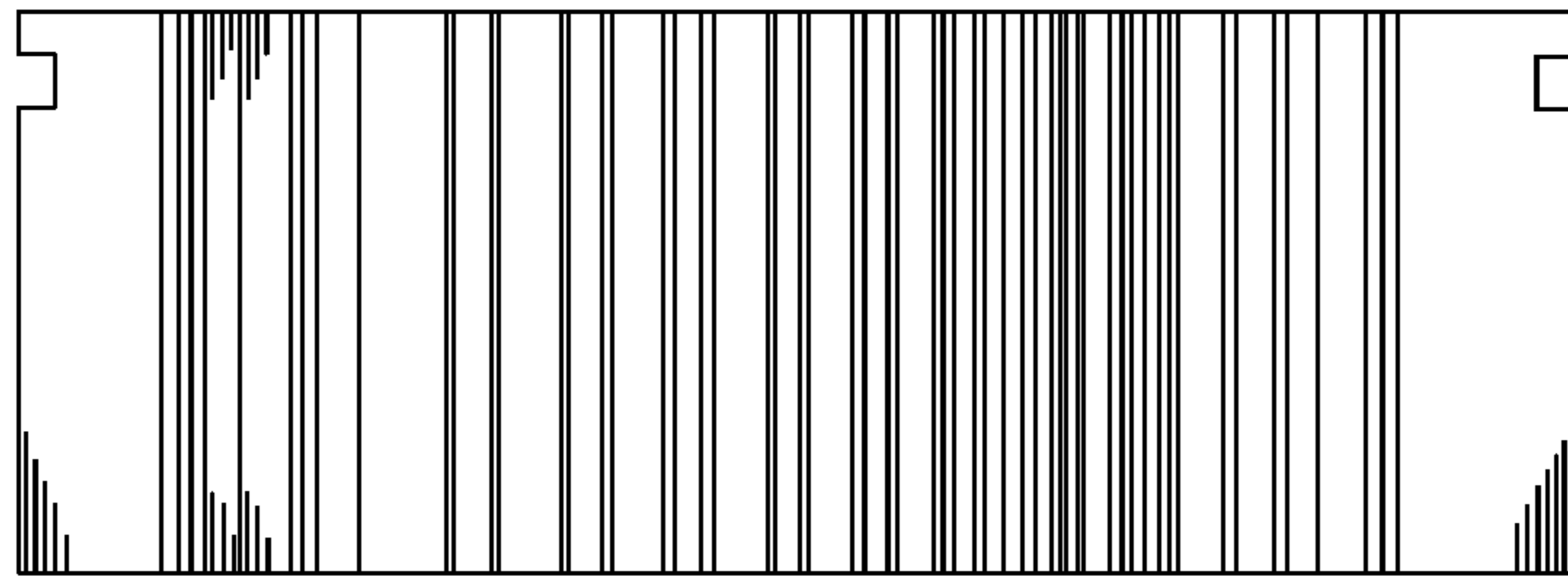


Fig. 2

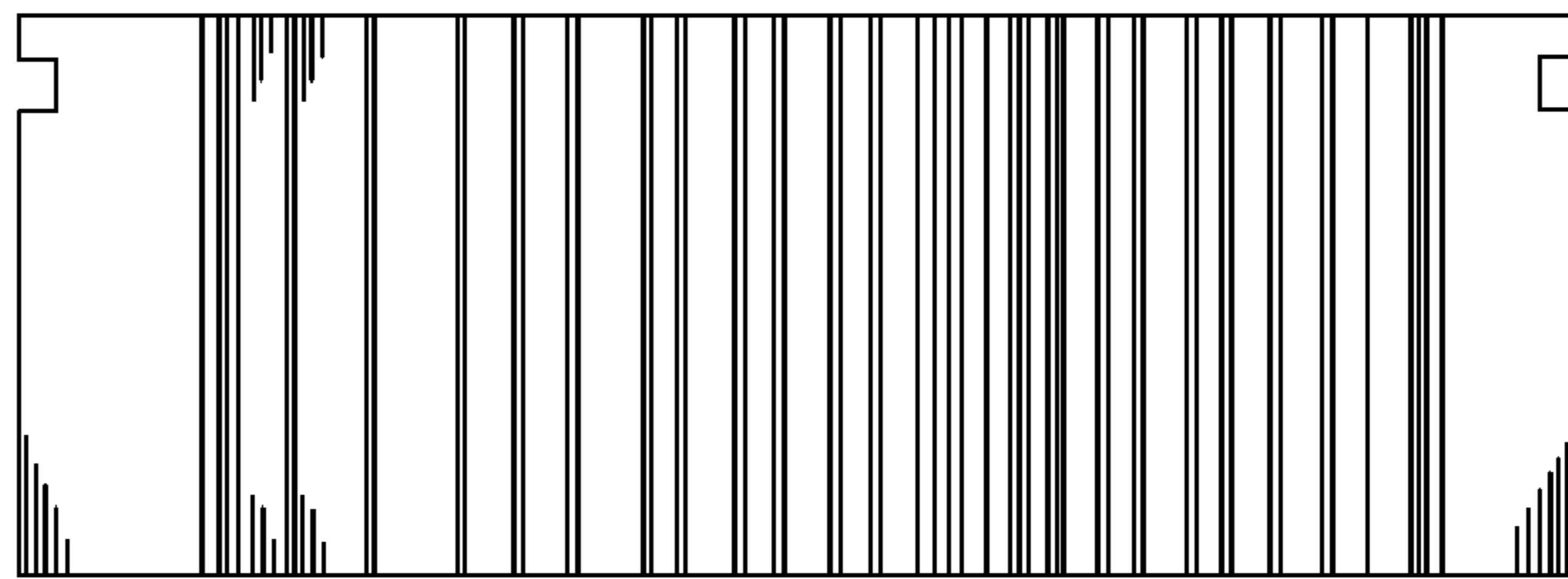


Fig. 3

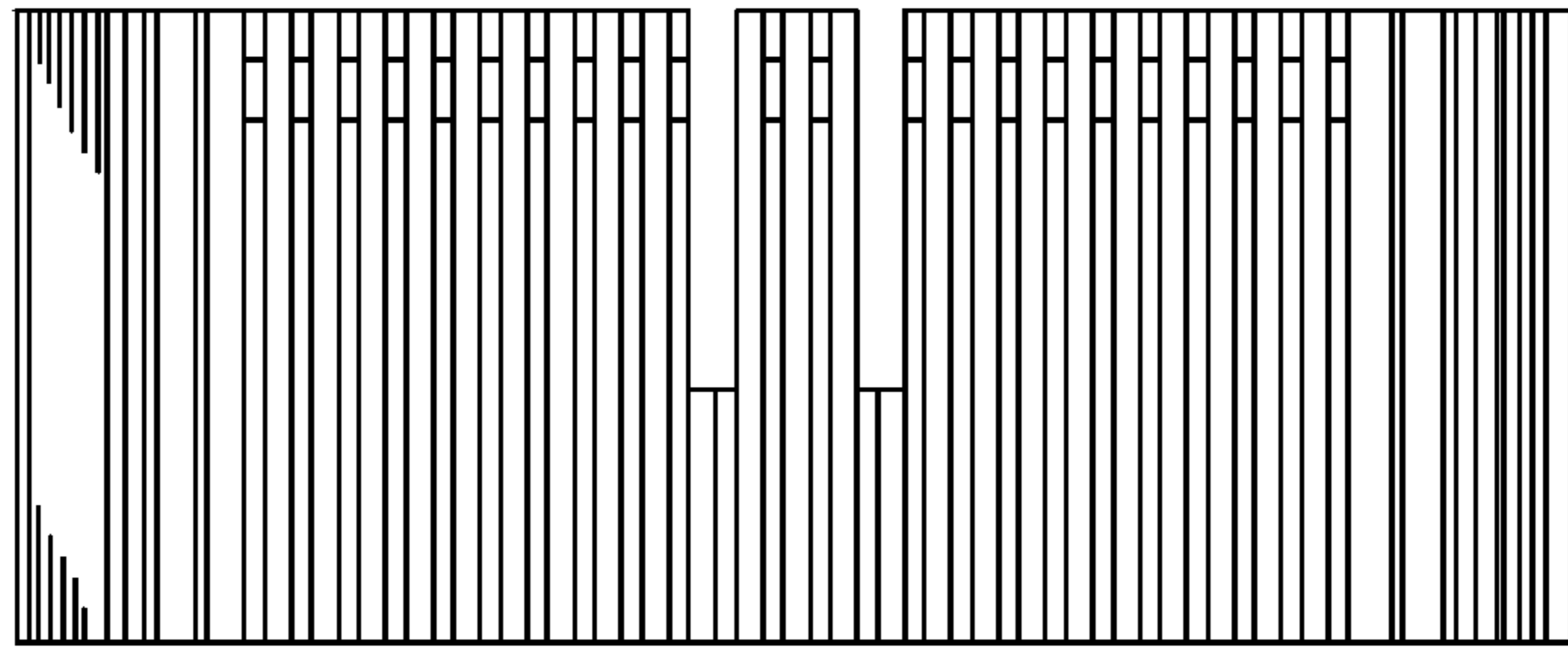


Fig. 4

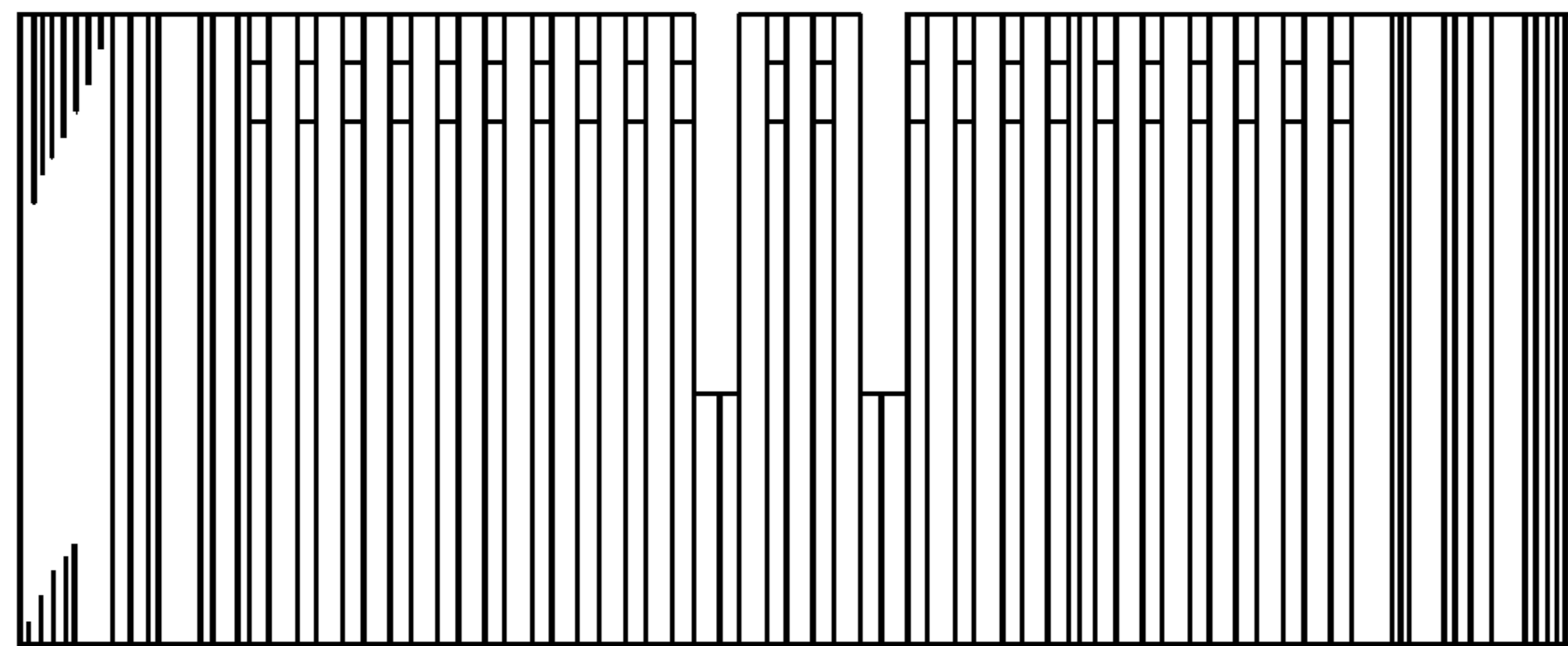


Fig. 5

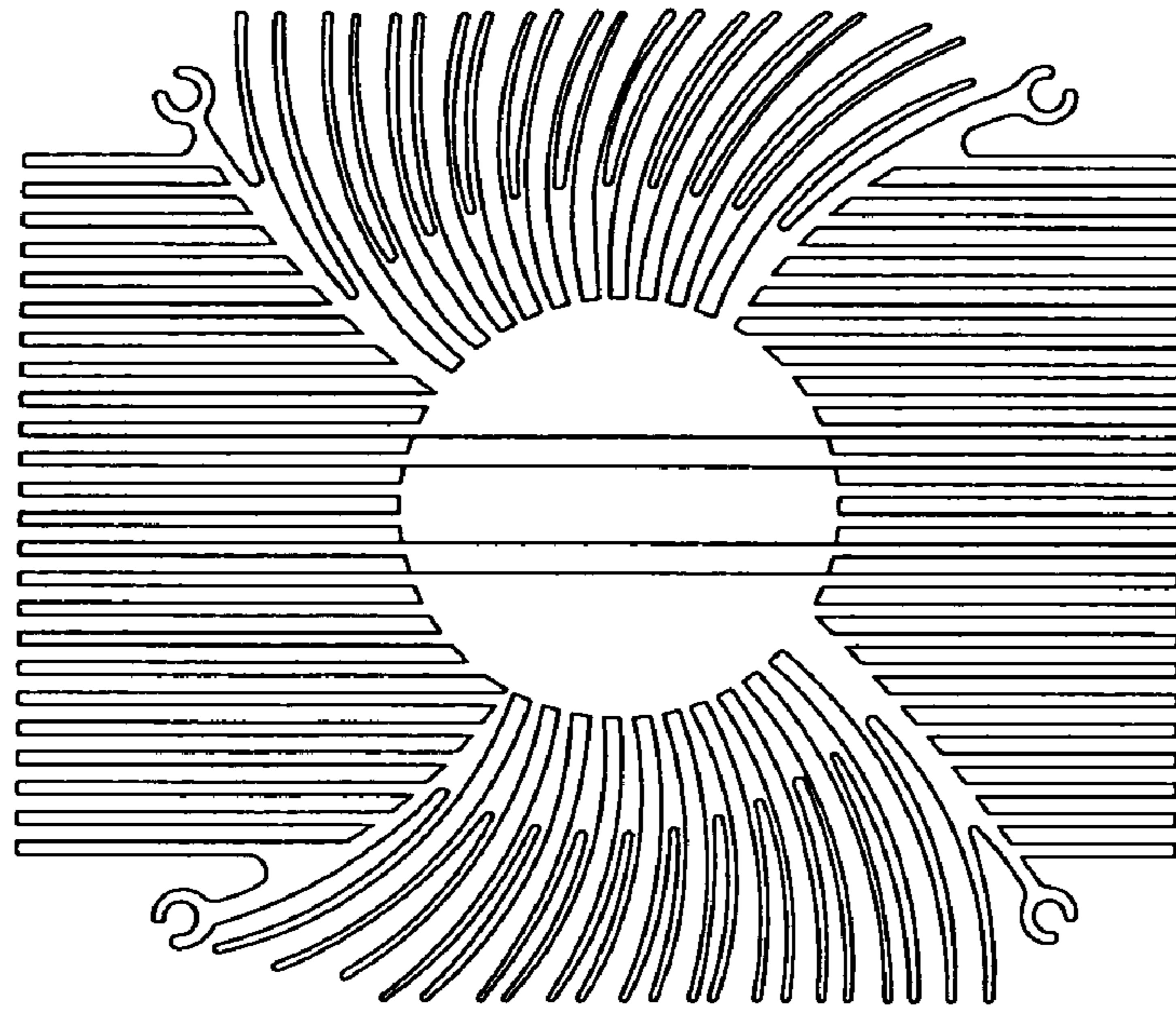


Fig. 6

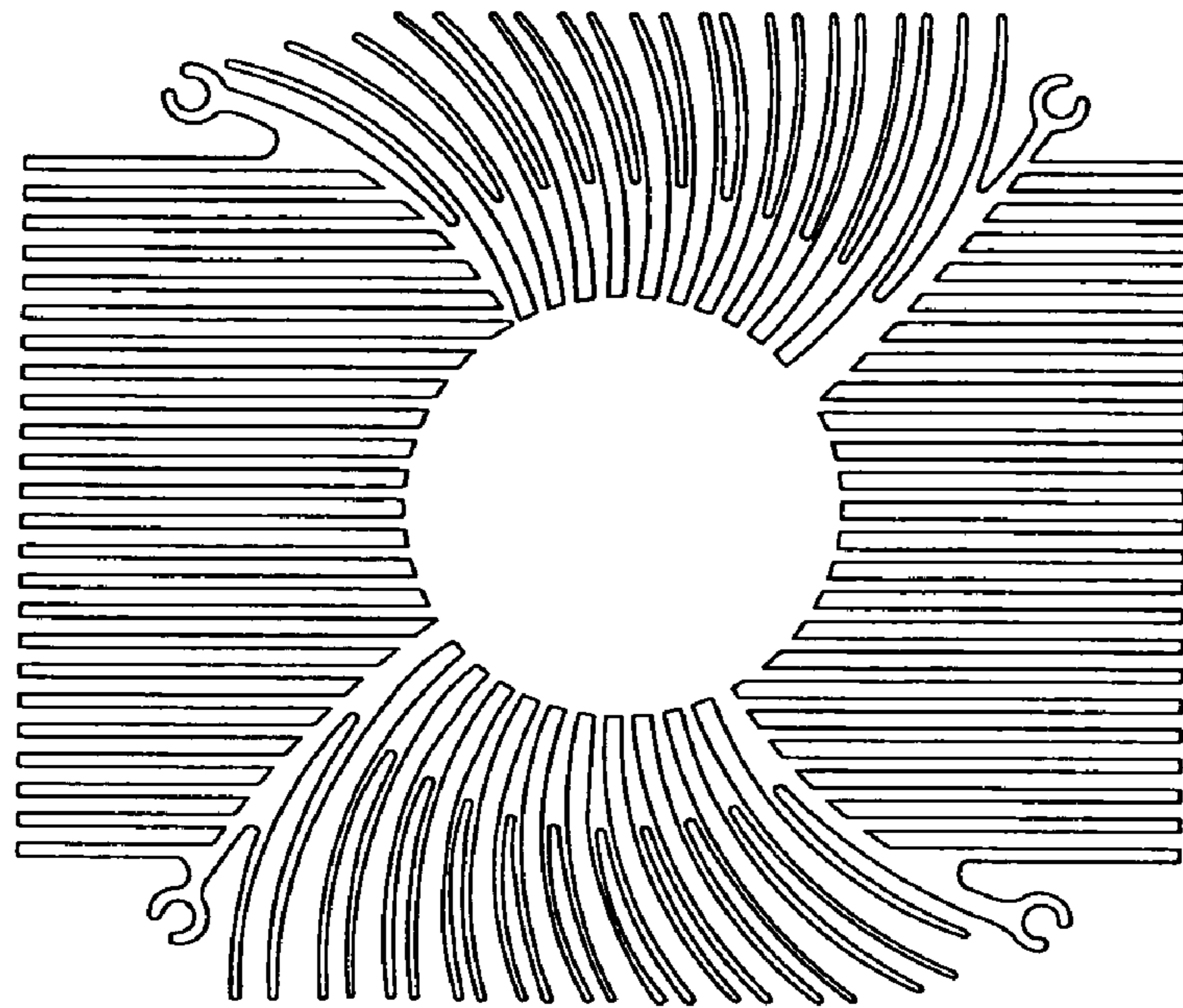


Fig. 7