



US00D593510S

(12) **United States Design Patent**
Chen

(10) **Patent No.:** **US D593,510 S**
(45) **Date of Patent:** **** Jun. 2, 2009**

(54) **VEHICLE COMMUNICATION CONTROLLER**

(75) Inventor: **Stephen Chen**, Changhua (TW)

(73) Assignee: **E-Lead Electronics Co., Ltd.**,
Changhua (TW)

(**) Term: **14 Years**

(21) Appl. No.: **29/300,608**

(22) Filed: **Apr. 17, 2008**

(51) **LOC (9) Cl.** **13-03**

(52) **U.S. Cl.** **D13/171**

(58) **Field of Classification Search** D13/171,
D13/174; 174/66; 200/5 R, 5 A, 1 B, 293,
200/296, 329, 406, 513, 520, 530, 302.1,
200/302.2, 314, 315, 341, 344; 315/291–296;
338/198–200

See application file for complete search history.

(56) **References Cited**

U.S. PATENT DOCUMENTS

- D266,084 S * 9/1982 Colavecchio D13/158
- 4,454,397 A * 6/1984 Kim 200/296
- 5,077,454 A * 12/1991 Lorenzo 200/573
- D362,841 S * 10/1995 Roza D13/171
- 6,087,605 A * 7/2000 Heidenfels et al. 200/345

- 6,103,982 A * 8/2000 Chien 200/315
- D469,411 S * 1/2003 Decosse D13/174
- D496,336 S * 9/2004 Wang D13/171
- 6,965,085 B1 * 11/2005 Orrico et al. 200/314
- D516,043 S * 2/2006 Jacoby et al. D13/165
- 2008/0168379 A1 * 7/2008 Forstall et al. 715/778

* cited by examiner

Primary Examiner—Selina Sikder

(74) *Attorney, Agent, or Firm*—Troxell Law Office, PLLC

(57) **CLAIM**

The ornamental design for a vehicle communication controller, as shown and described.

DESCRIPTION

FIG. 1 is a perspective view of vehicle communication controller showing my new design;

FIG. 2 is a front elevation view thereof;

FIG. 3 is a rear elevation view thereof;

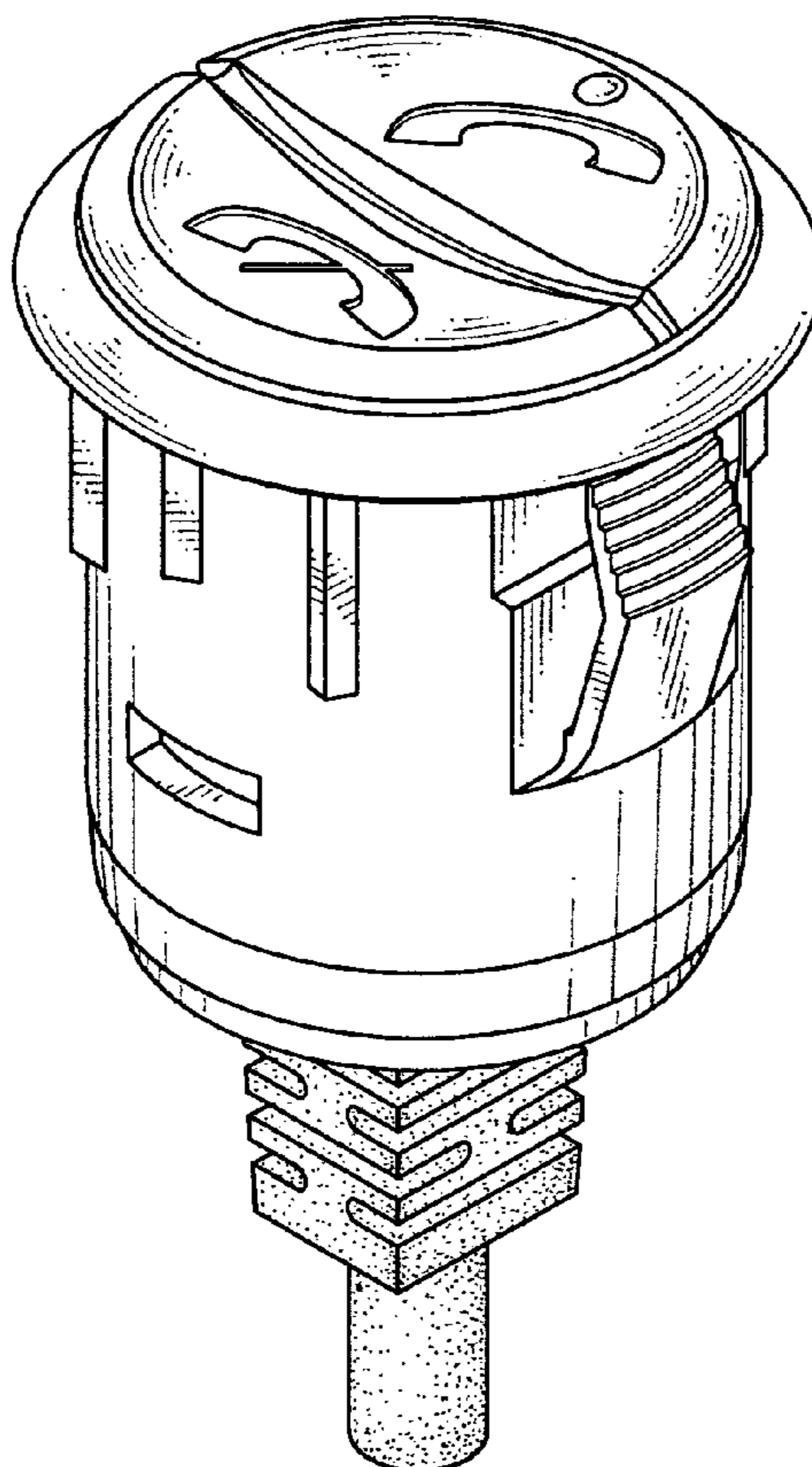
FIG. 4 is a left side elevation view thereof;

FIG. 5 is a right side elevation view thereof;

FIG. 6 is a top plan view thereof; and,

FIG. 7 is a bottom plan view thereof.

1 Claim, 4 Drawing Sheets



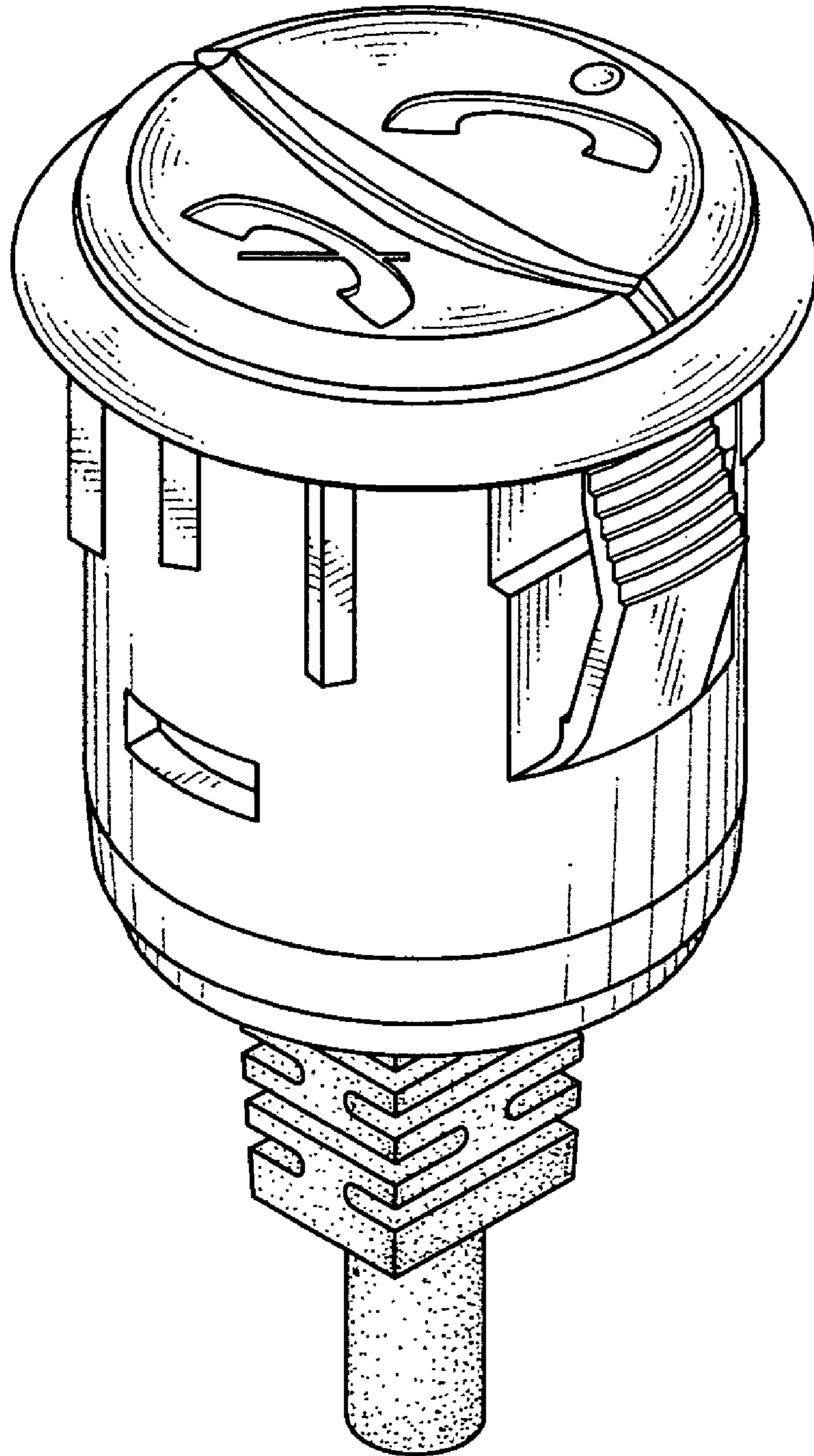


FIG. 1

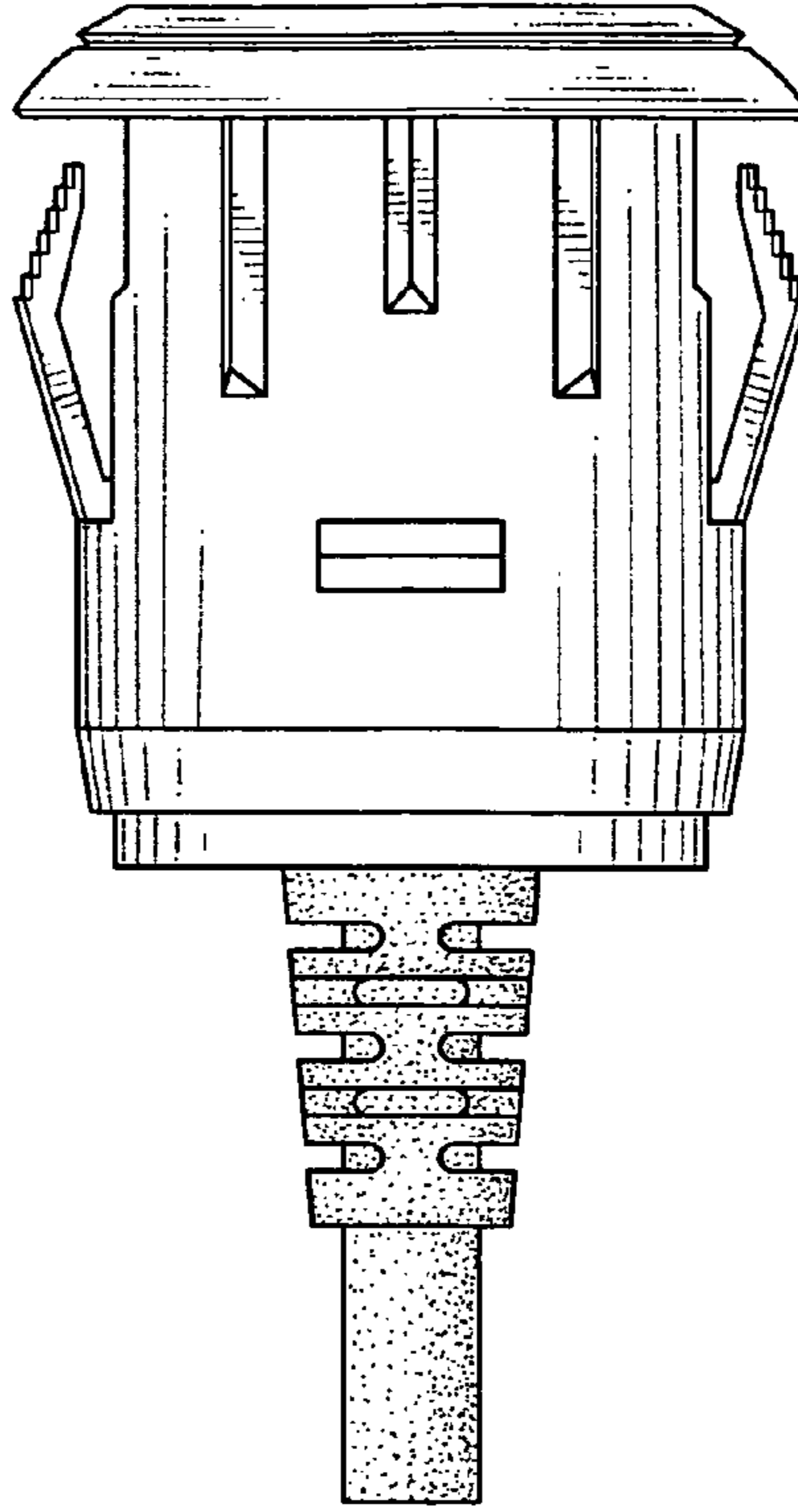


FIG. 2

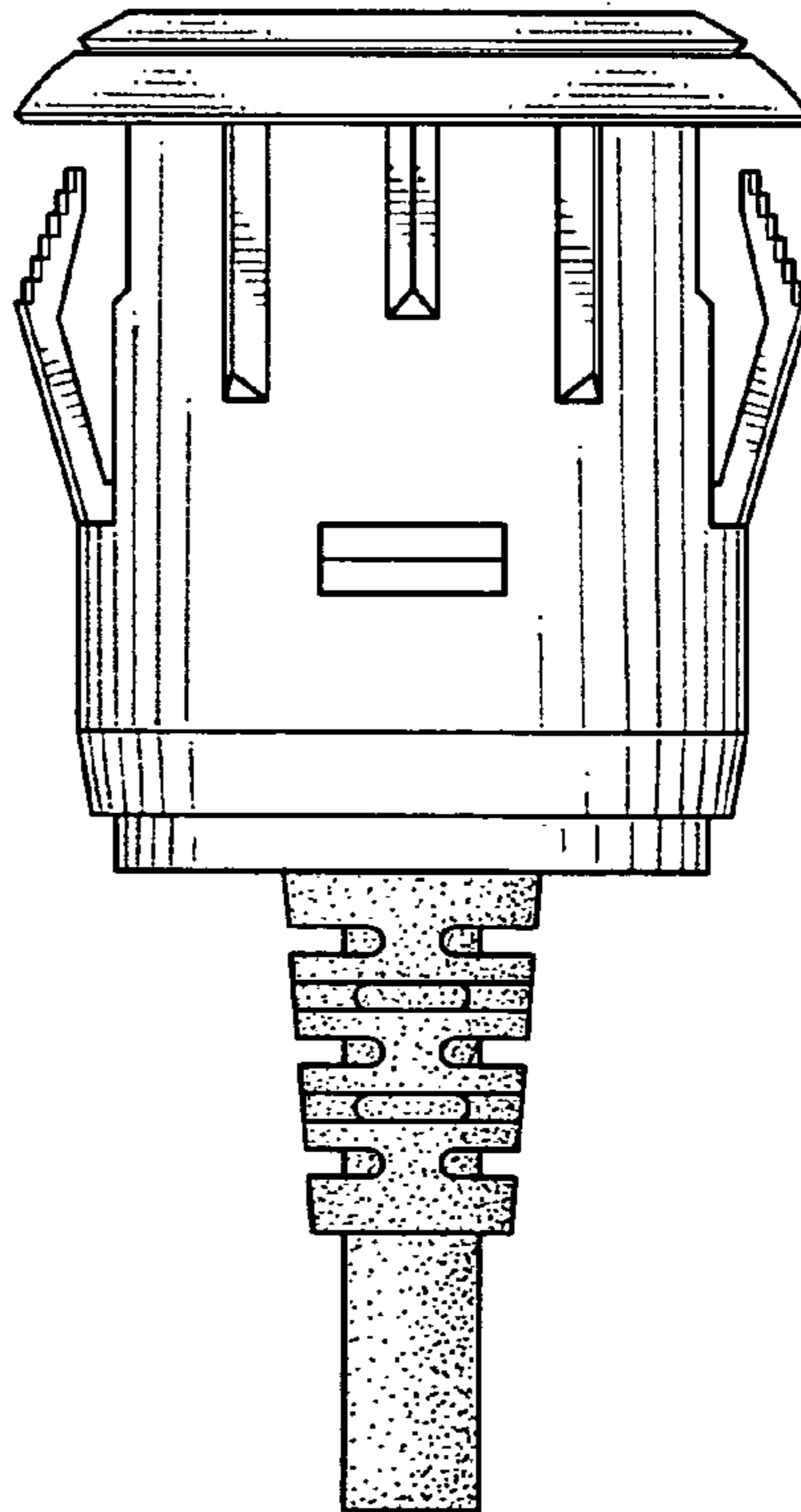


FIG. 3

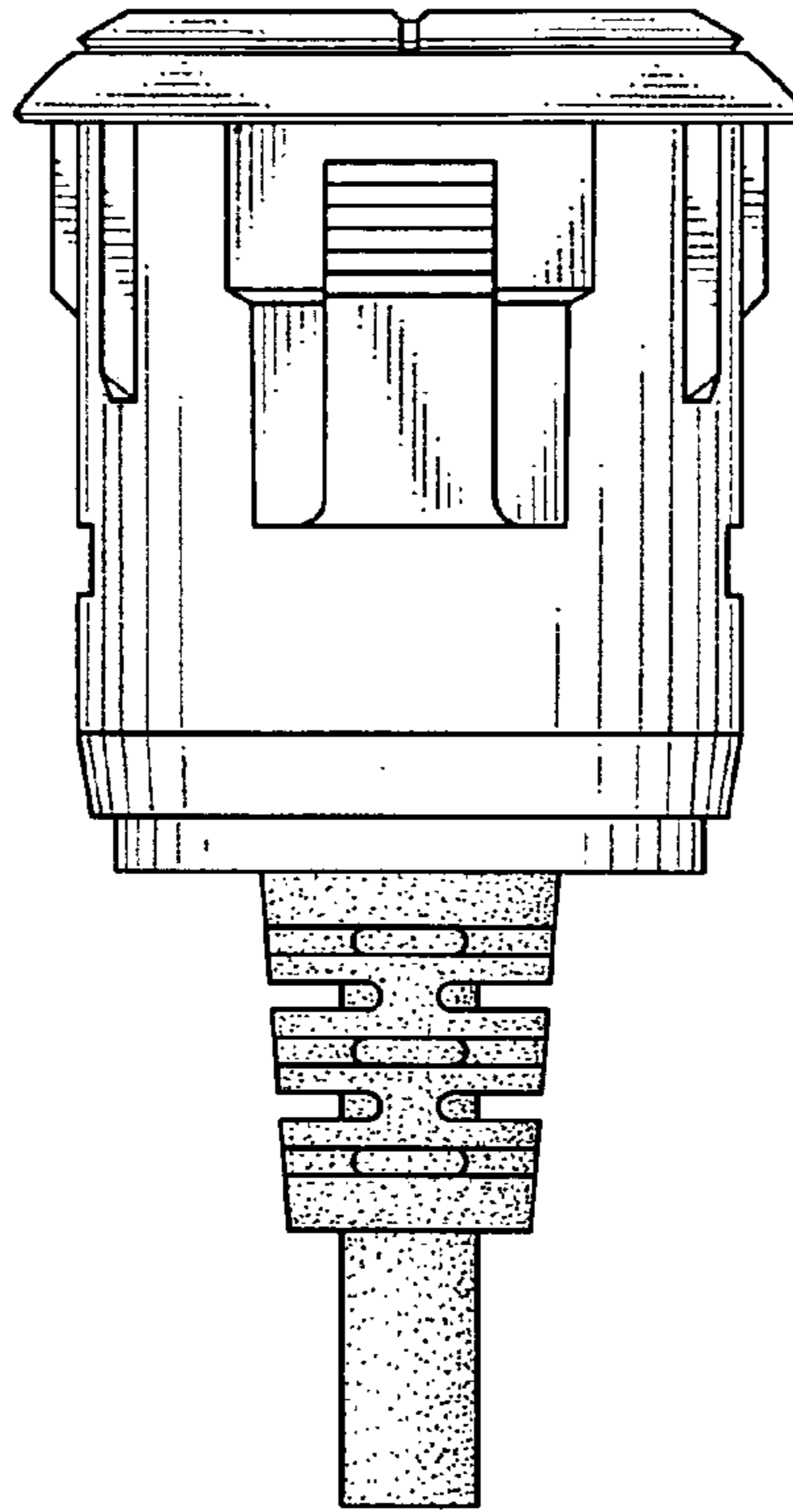


FIG. 4

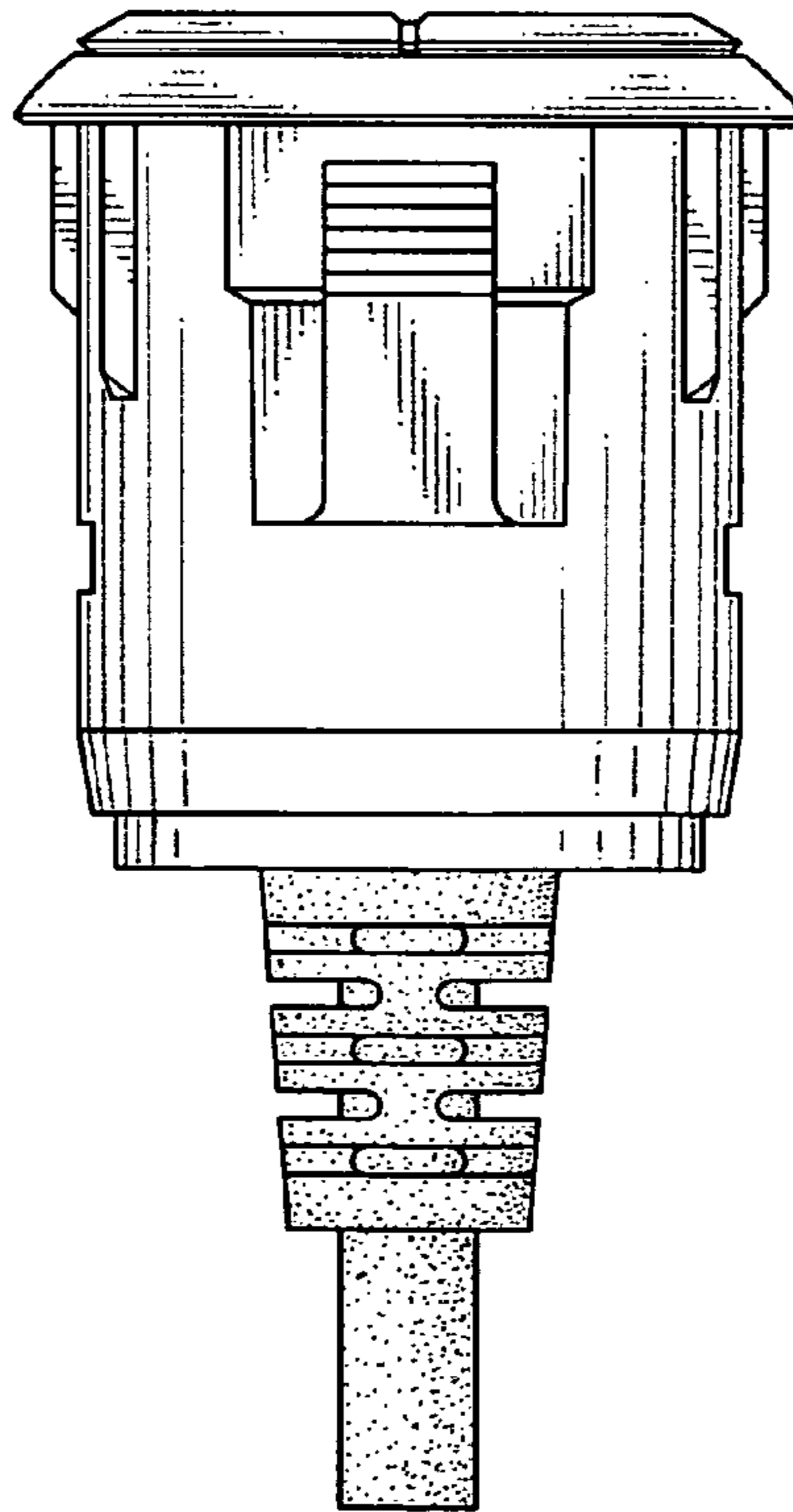


FIG. 5

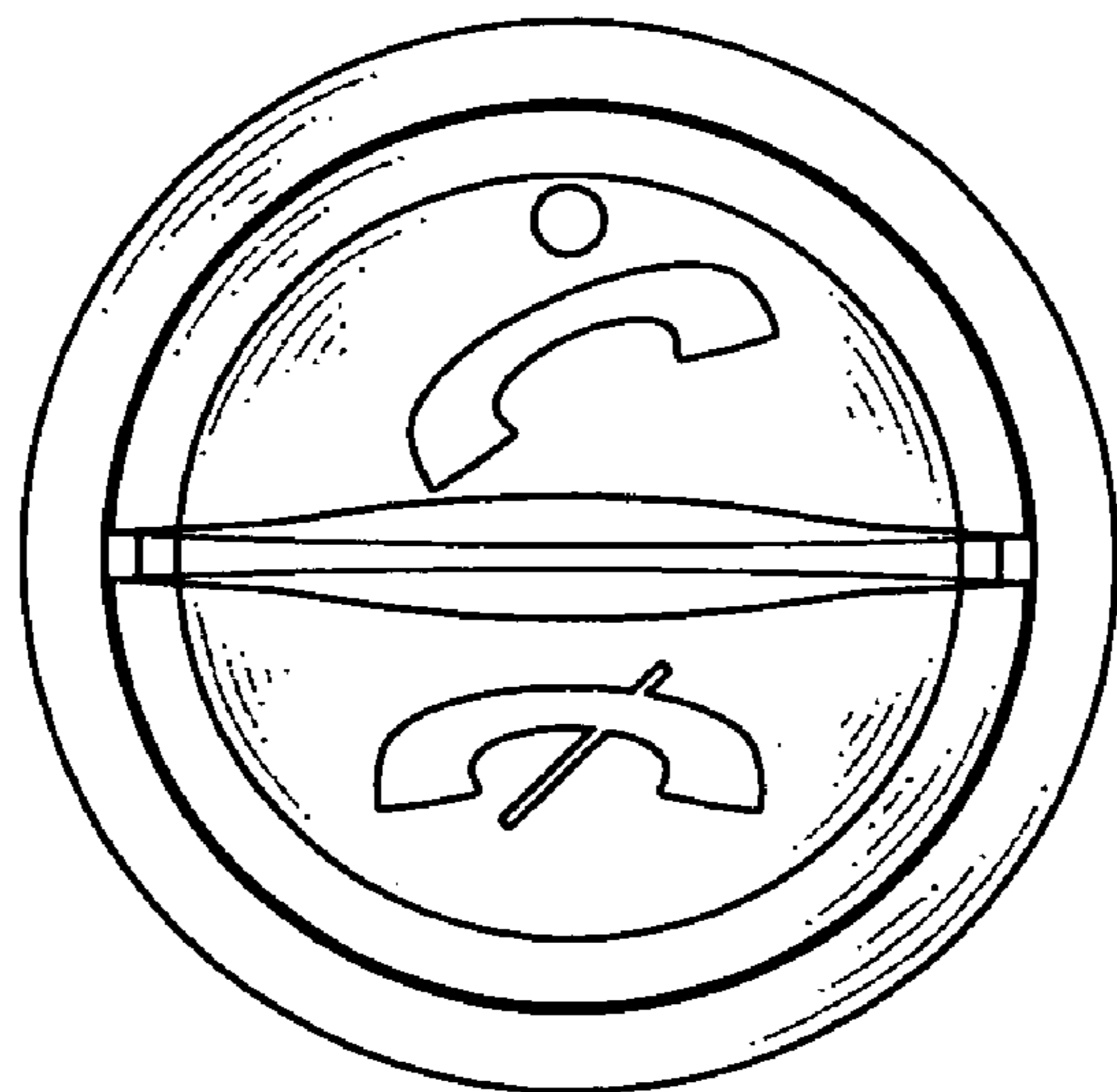


FIG. 6

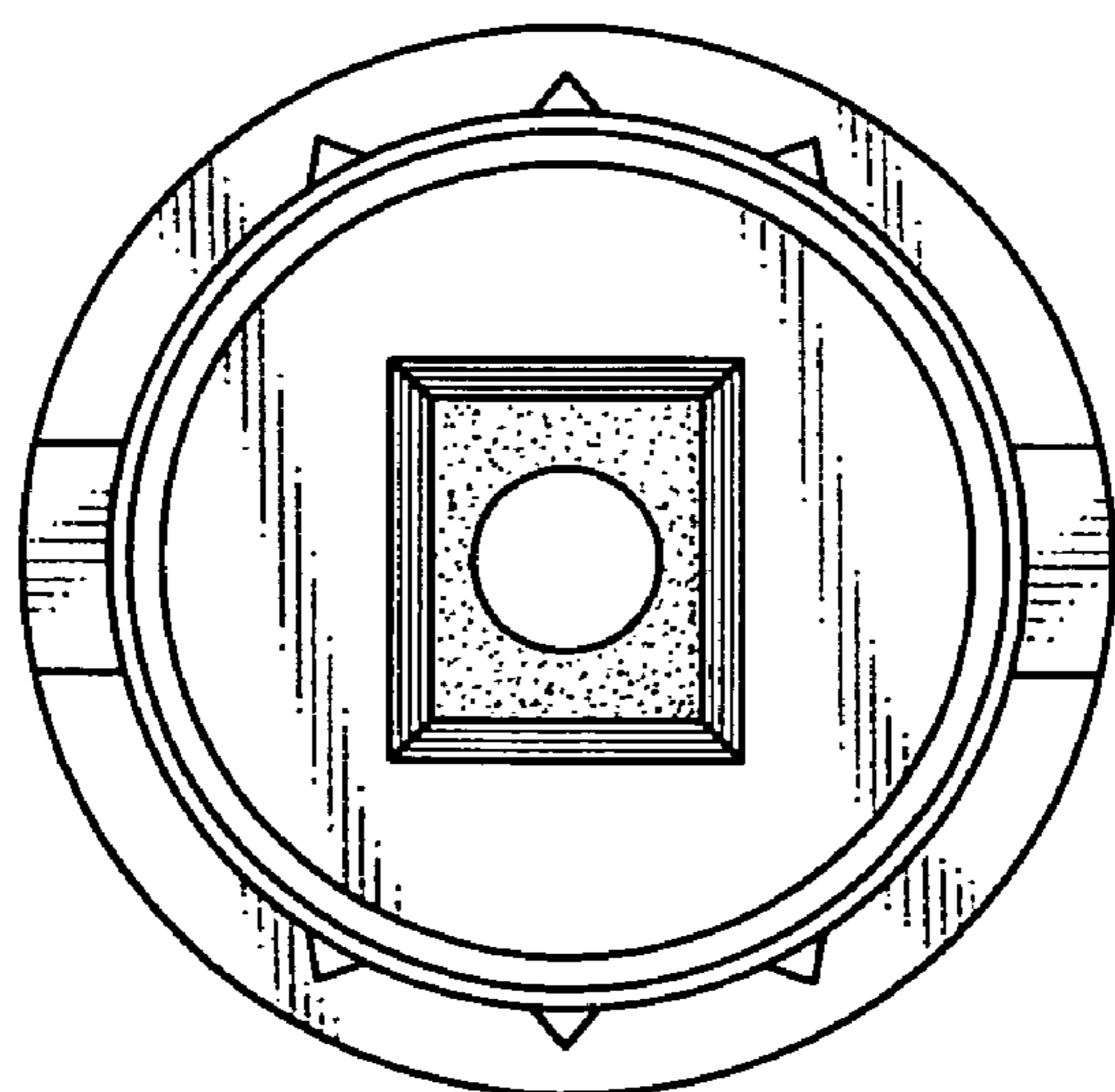


FIG. 7