



US00D593505S

(12) **United States Design Patent**
Fimbres

(10) **Patent No.:** **US D593,505 S**
(45) **Date of Patent:** **** Jun. 2, 2009**

(54) **POWER PLUG COVER**

D501,184 S * 1/2005 Ikeda D13/156

(76) Inventor: **Richard Fimbres**, 4602 N. 54th Ave.,
Phoenix, AZ (US) 85031

* cited by examiner

Primary Examiner—Brian N Vinson

(**) Term: **14 Years**

(57) **CLAIM**

(21) Appl. No.: **29/312,723**

The ornamental design for a power plug cover, as shown and described.

(22) Filed: **Nov. 10, 2008**

DESCRIPTION

(51) **LOC (9) Cl.** **13-03**

FIG. 1 is a rear perspective view of a power plug cover showing my new design;

(52) **U.S. Cl.** **D13/156**

FIG. 2 is a front perspective view thereof;

(58) **Field of Classification Search** D13/133,
D13/137.1, 156, 184; 439/133–135, 148–149

FIG. 3 is a front elevational view thereof;

FIG. 4 is a rear elevational thereof;

See application file for complete search history.

FIG. 5 is a left side elevational view thereof;

FIG. 6 is a right side elevational view thereof;

FIG. 7 is a bottom plan view thereof; and,

FIG. 8 is a top plan view thereof.

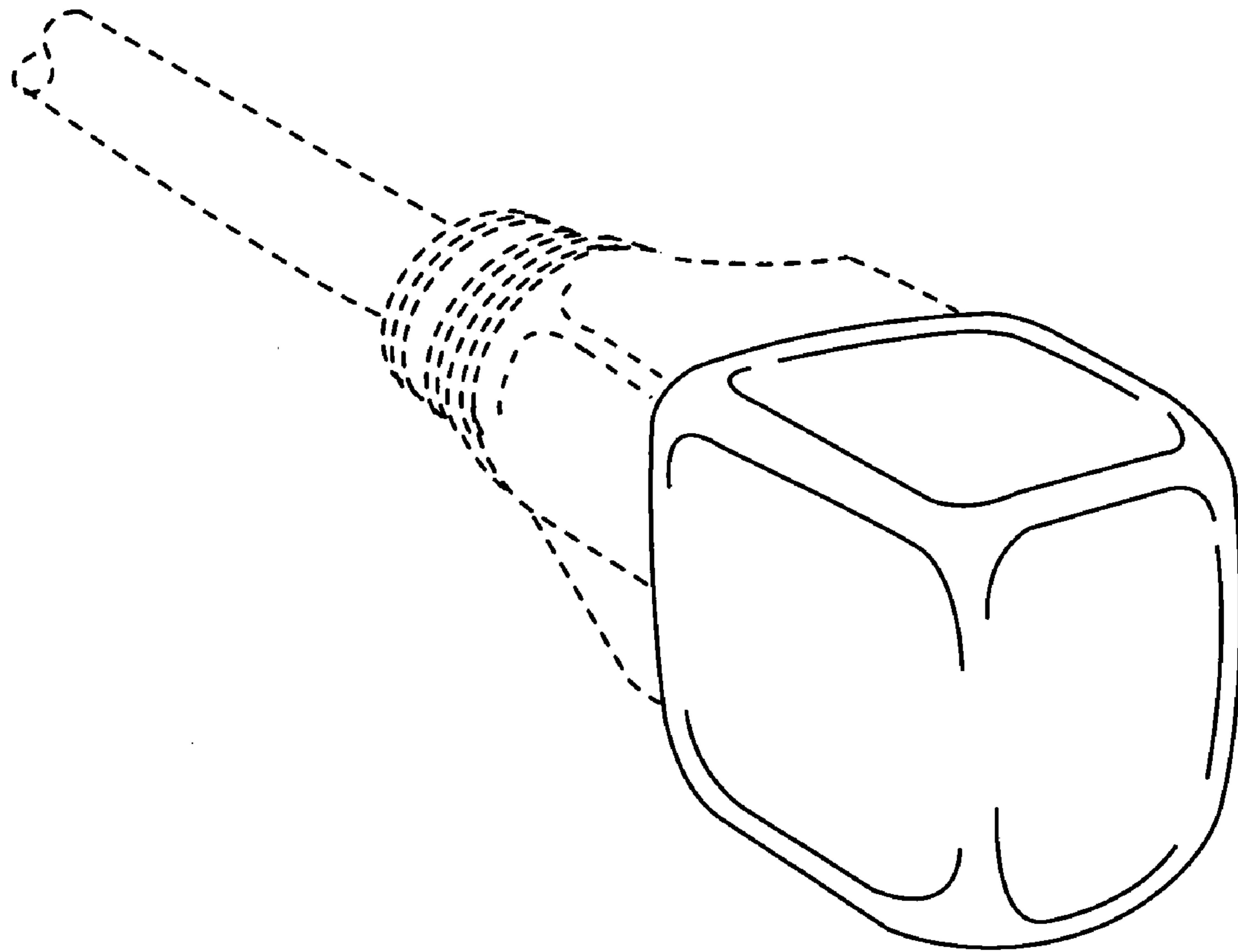
(56) **References Cited**

U.S. PATENT DOCUMENTS

2,851,668	A	9/1958	Kobler	
4,060,297	A	11/1977	Marshall	
5,055,057	A	10/1991	Boyer	
D326,642	S *	6/1992	Lowe D13/156
D354,043	S *	1/1995	Noland D13/156
6,508,654	B1 *	1/2003	Tatz 439/134
D487,726	S *	3/2004	Okuda D13/156

The fragmentary broken-line disclosure of plug and power cord in FIG. 1 represent unclaimed subject matter provided for illustrative purposes only and which form no part of the claimed design.

1 Claim, 2 Drawing Sheets



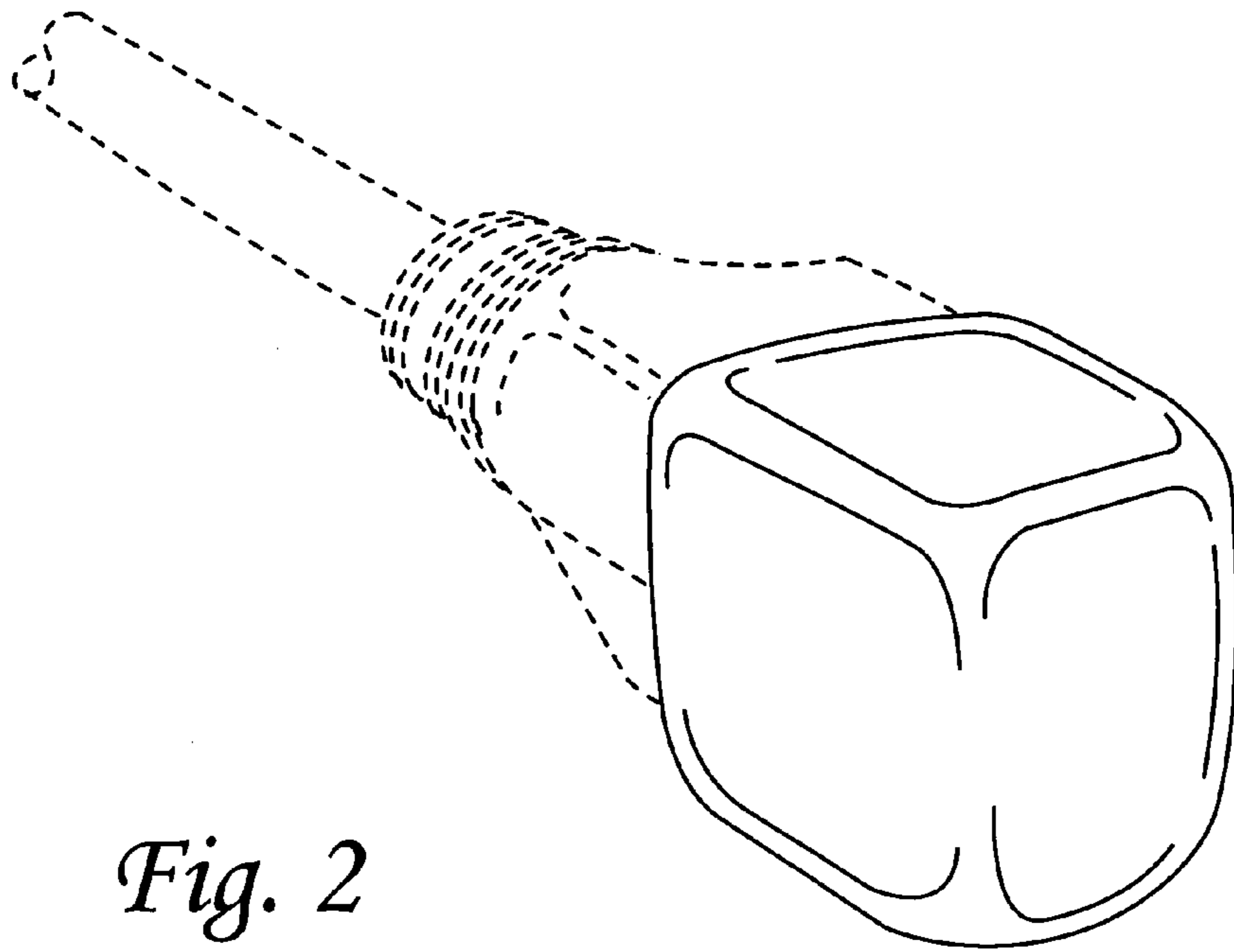


Fig. 1

Fig. 2

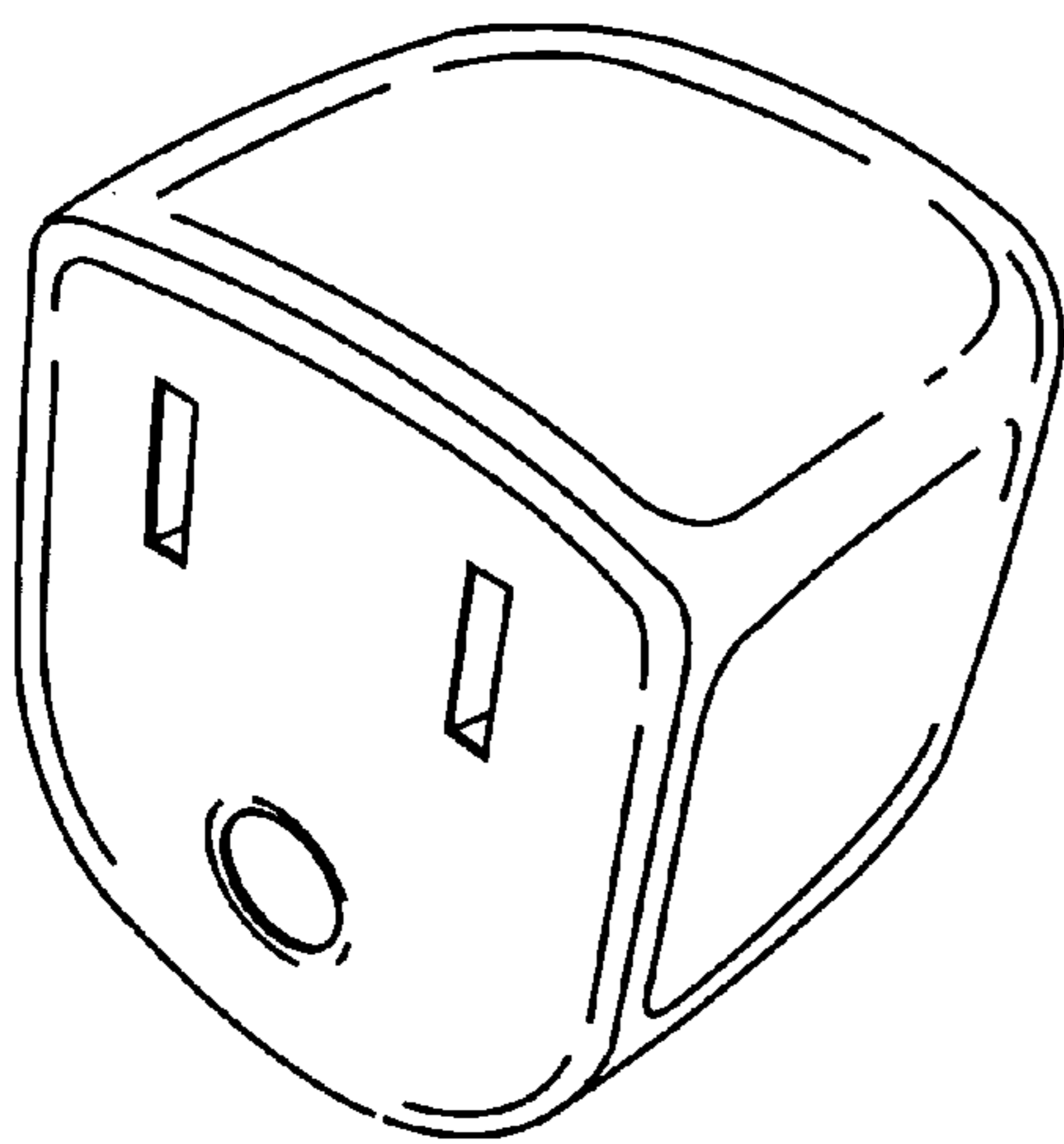
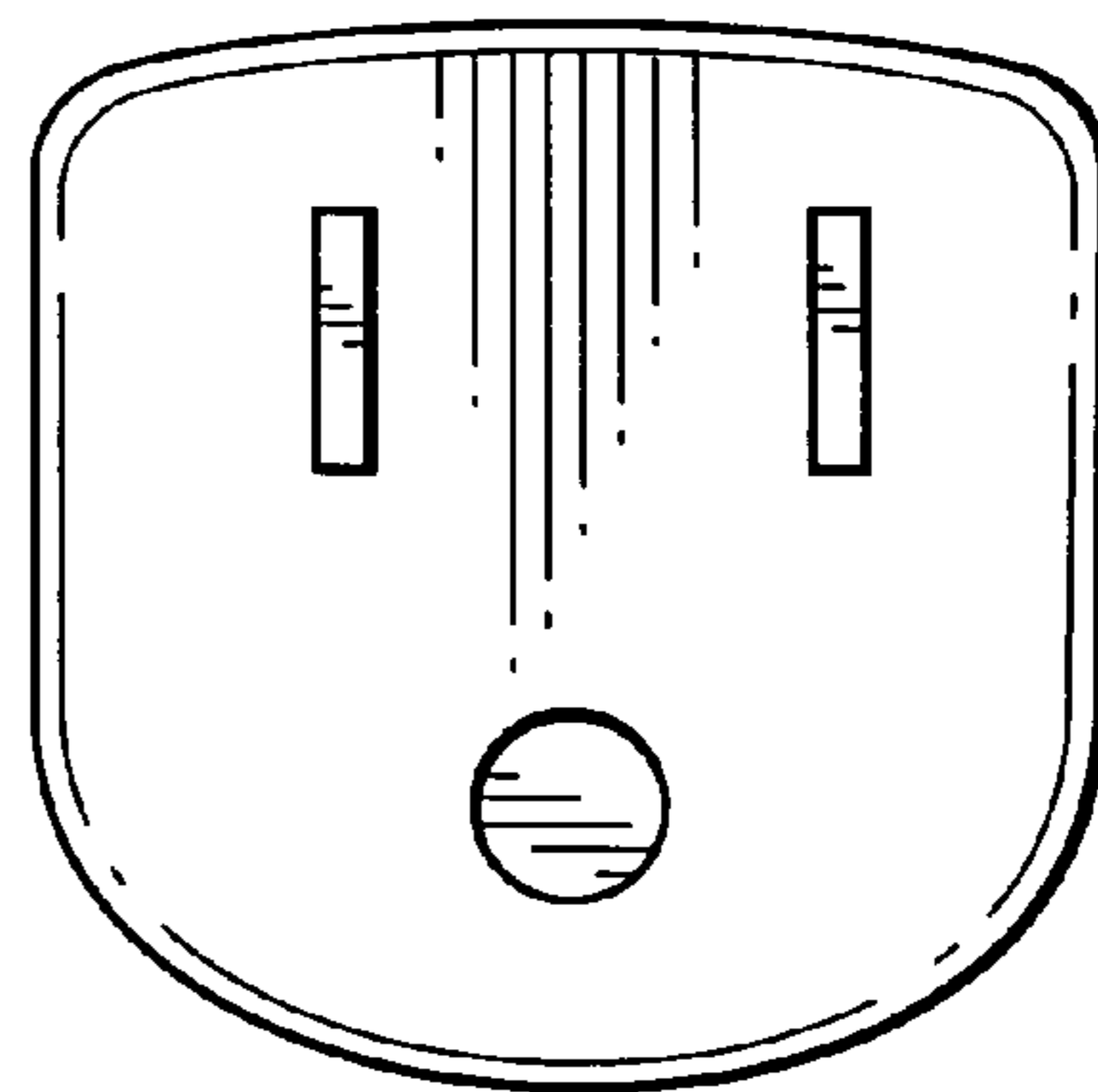


Fig. 3



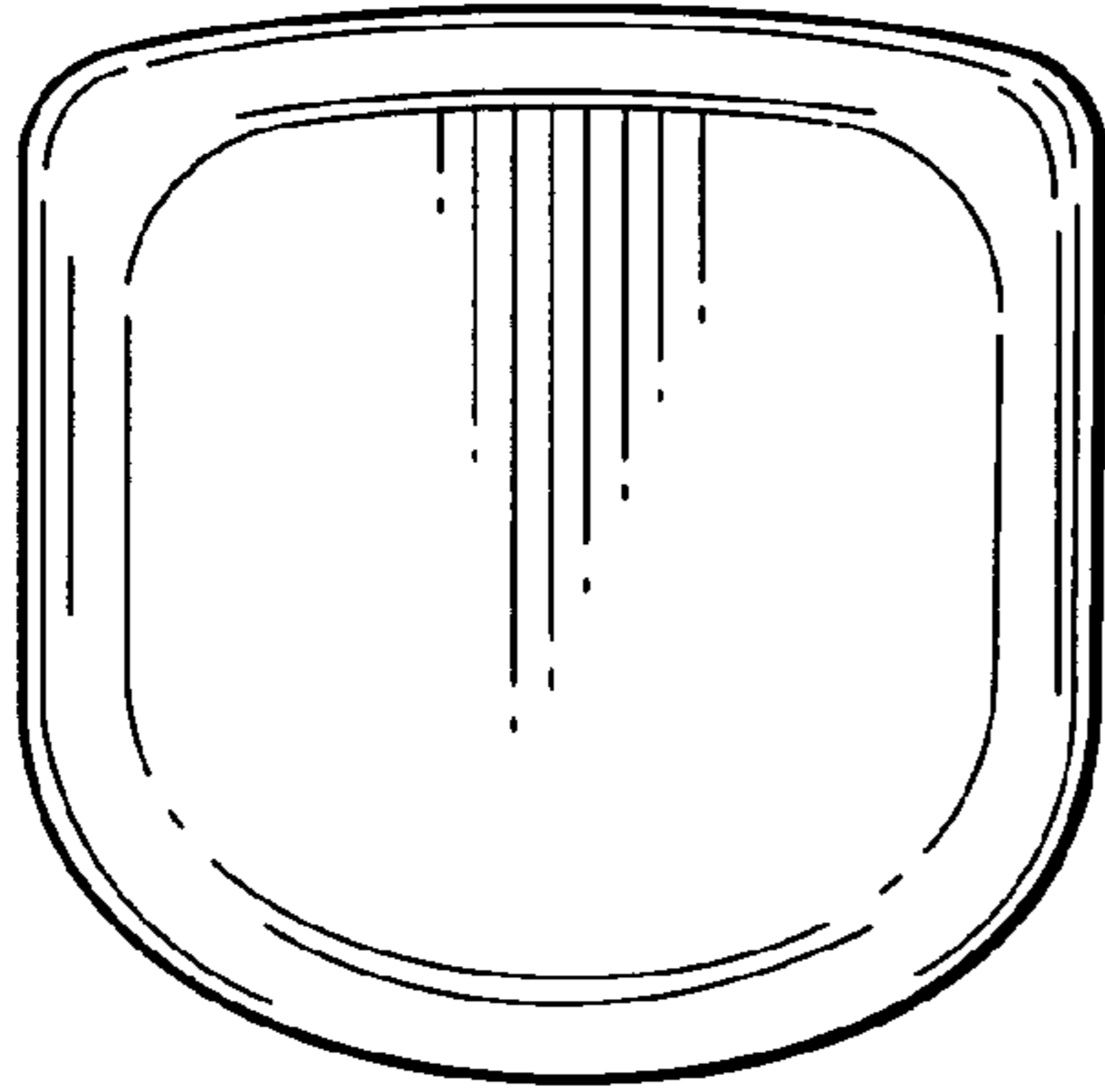


Fig. 4

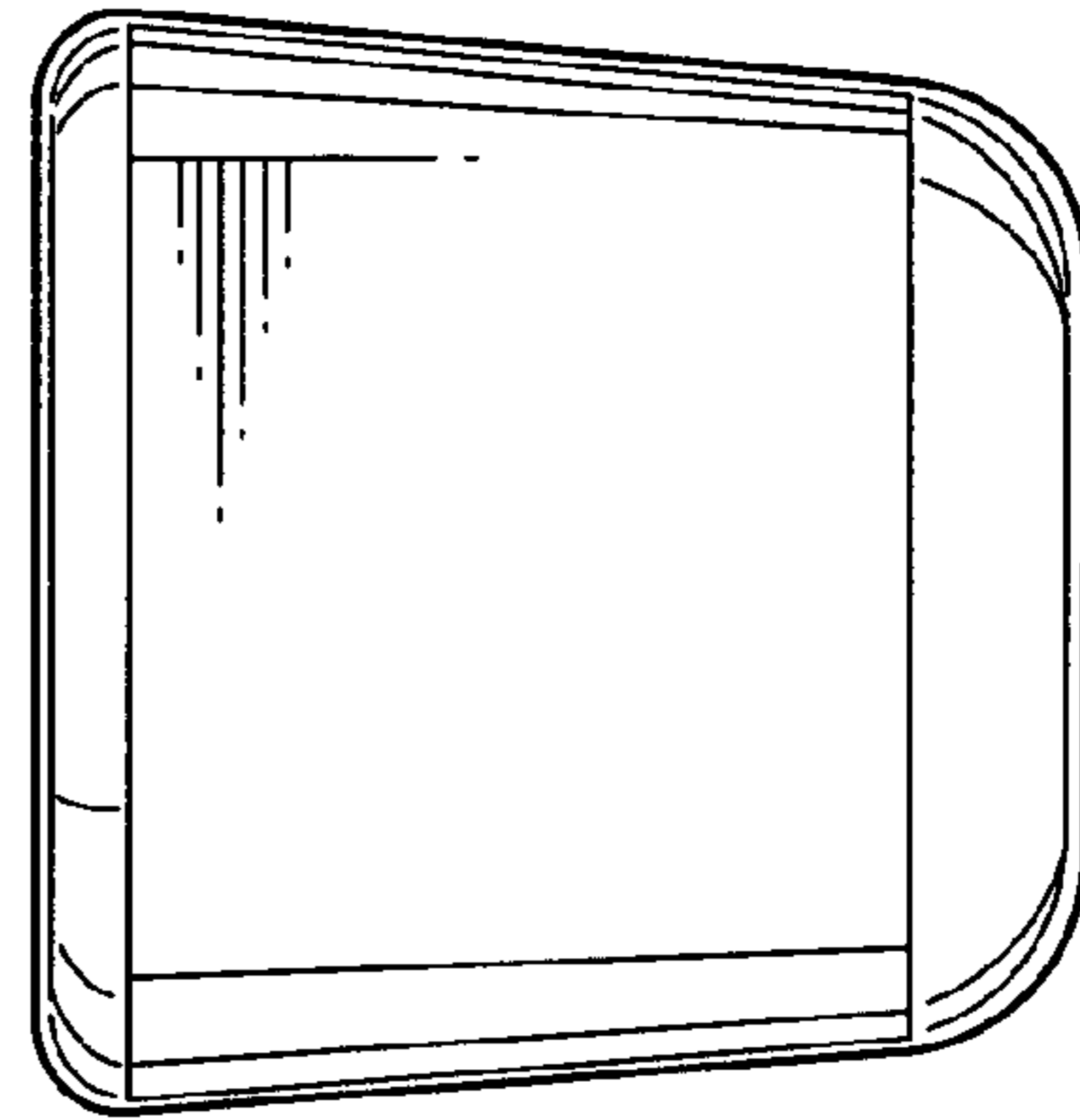


Fig. 5

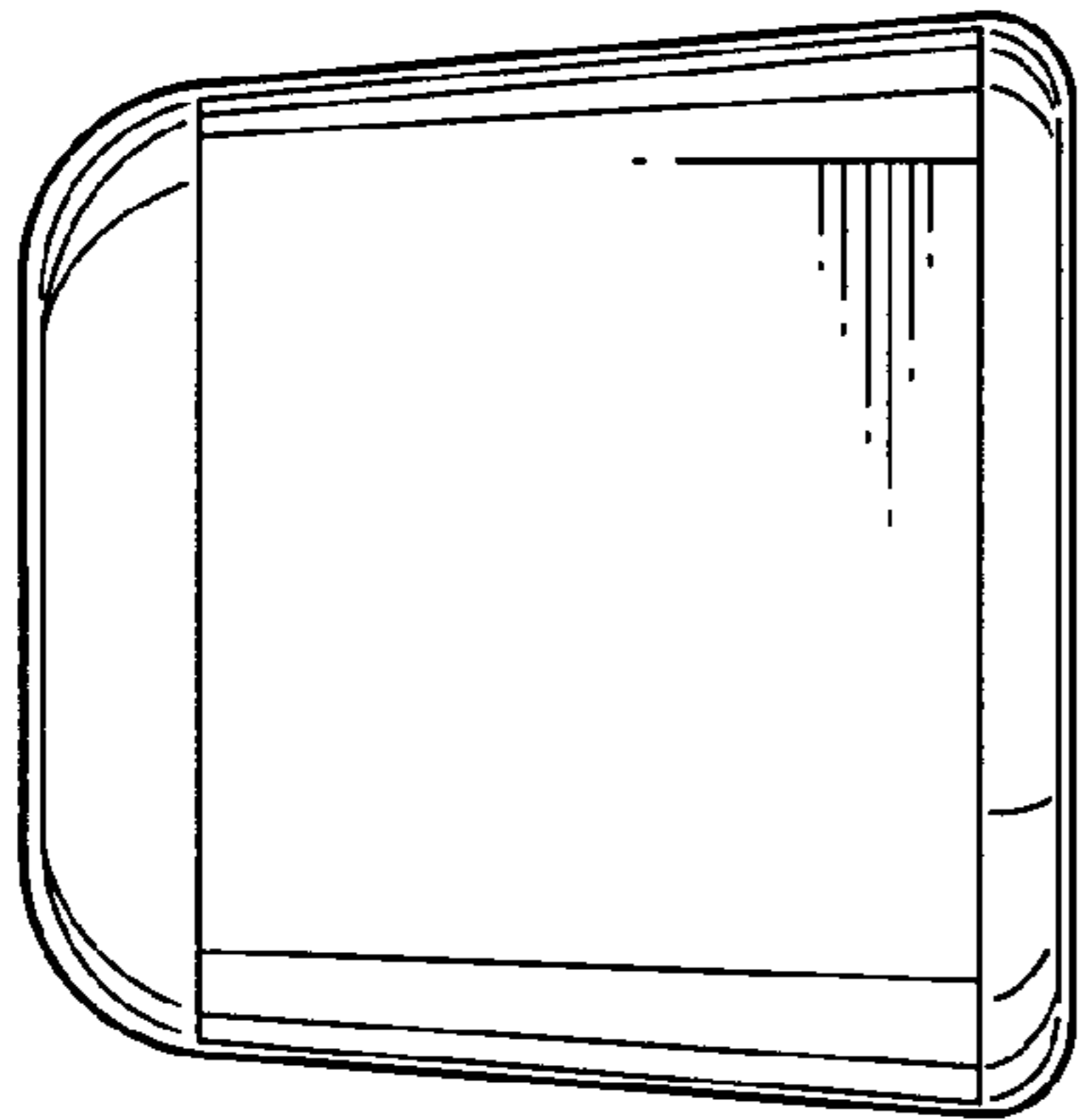


Fig. 6

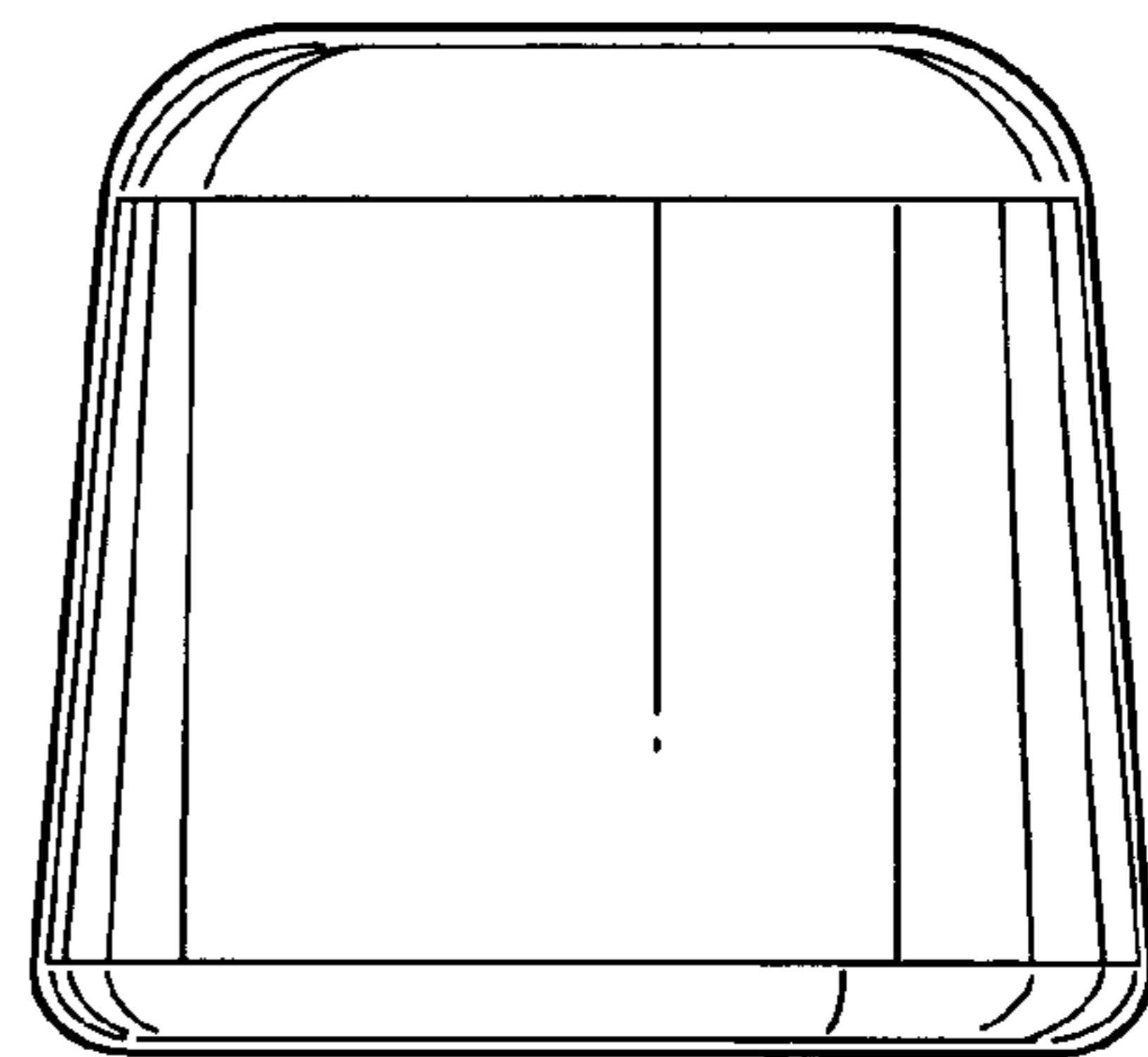


Fig. 7

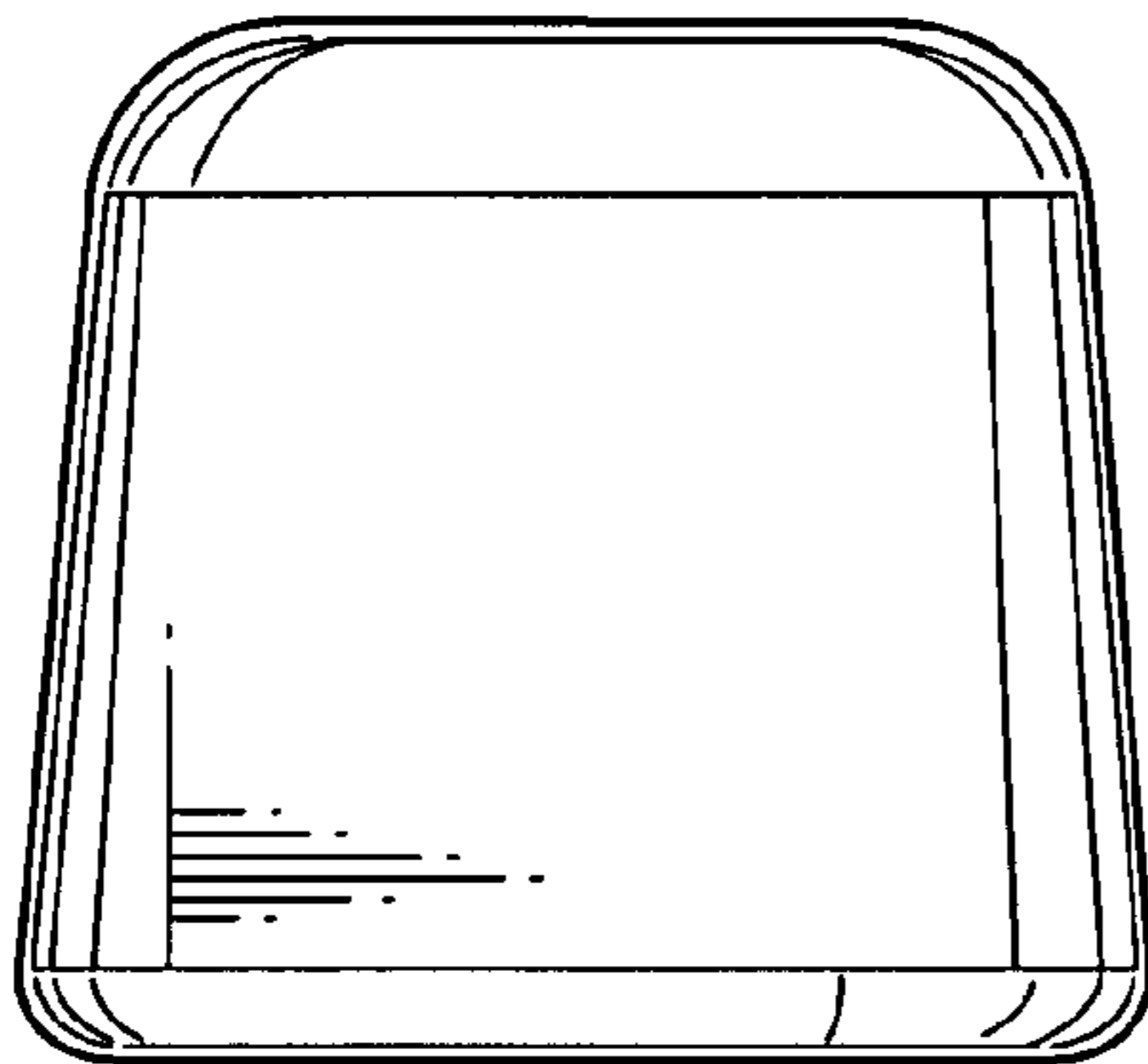


Fig. 8