



US00D593503S

(12) **United States Design Patent**
Tamura et al.

(10) **Patent No.:** **US D593,503 S**
(45) **Date of Patent:** **** Jun. 2, 2009**

(54) **ONE TOUCH CAP FOR FIXING CONTROL CABLE**

(75) Inventors: **Masaki Tamura**, Hyogo (JP); **Kazuo Kinoshita**, Hyogo (JP)

(73) Assignee: **Nippon Cable System Inc.**, Hyogo (JP)

(**) Term: **14 Years**

(21) Appl. No.: **29/230,533**

(22) Filed: **May 24, 2005**

(51) **LOC (9) Cl.** **13-03**

(52) **U.S. Cl.** **D13/156**

(58) **Field of Classification Search** D13/156;
403/192-195, 197, 397-399; 74/473.14,
74/502.4, 502.6

See application file for complete search history.

(56) **References Cited**

U.S. PATENT DOCUMENTS

5,911,790 A *	6/1999	Bates et al.	74/502.4
6,490,947 B2 *	12/2002	Burger	74/502.4
6,634,252 B2 *	10/2003	Mayville et al.	74/502.6
D573,106 S *	7/2008	Shu et al.	D13/156

* cited by examiner

Primary Examiner—Brian N Vinson

(74) *Attorney, Agent, or Firm*—Cheng Law Group PLLC

(57) **CLAIM**

The ornamental design for the one touch cap for fixing control cable, as shown and described.

DESCRIPTION

FIG. 1 is a plan view of a one touch cap for fixing a control cable, showing the new design;

FIG. 2 is a front view of the one touch cap for fixing a control cable;

FIG. 3 is a right side view of the one touch cap for fixing a control cable;

FIG. 4 is a bottom view of the one touch cap for fixing a control cable;

FIG. 5 is a back view of the one touch cap for fixing a control cable;

FIG. 6 is a left side view of the one touch cap for fixing a control cable;

FIG. 7 is a perspective view of the one touch cap for fixing a control cable; and,

FIG. 8 is another perspective view of the one touch cap for fixing a control cable.

In the drawings, the broken line disclosure in the drawing views forms no part of the claimed design.

1 Claim, 3 Drawing Sheets

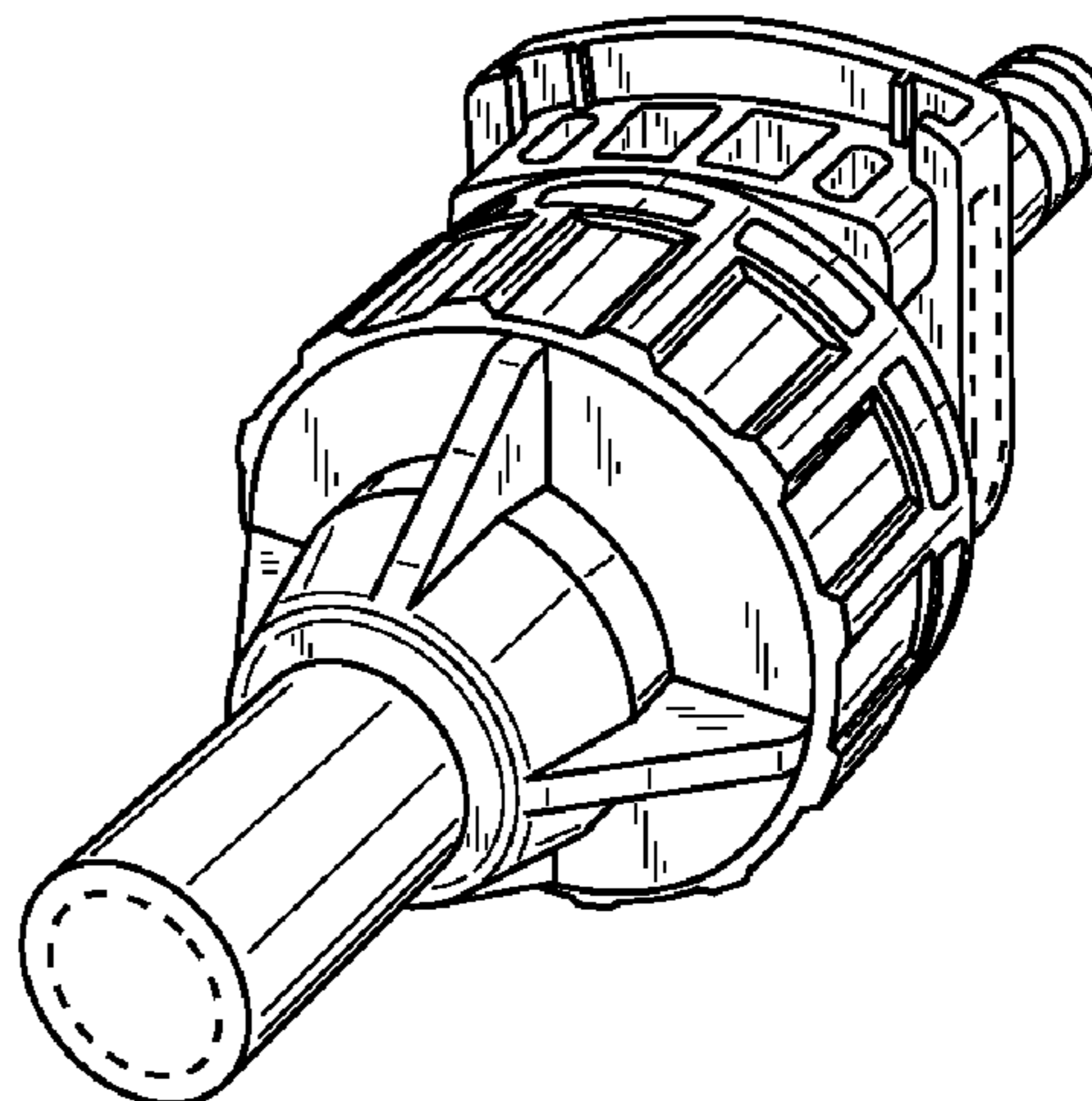
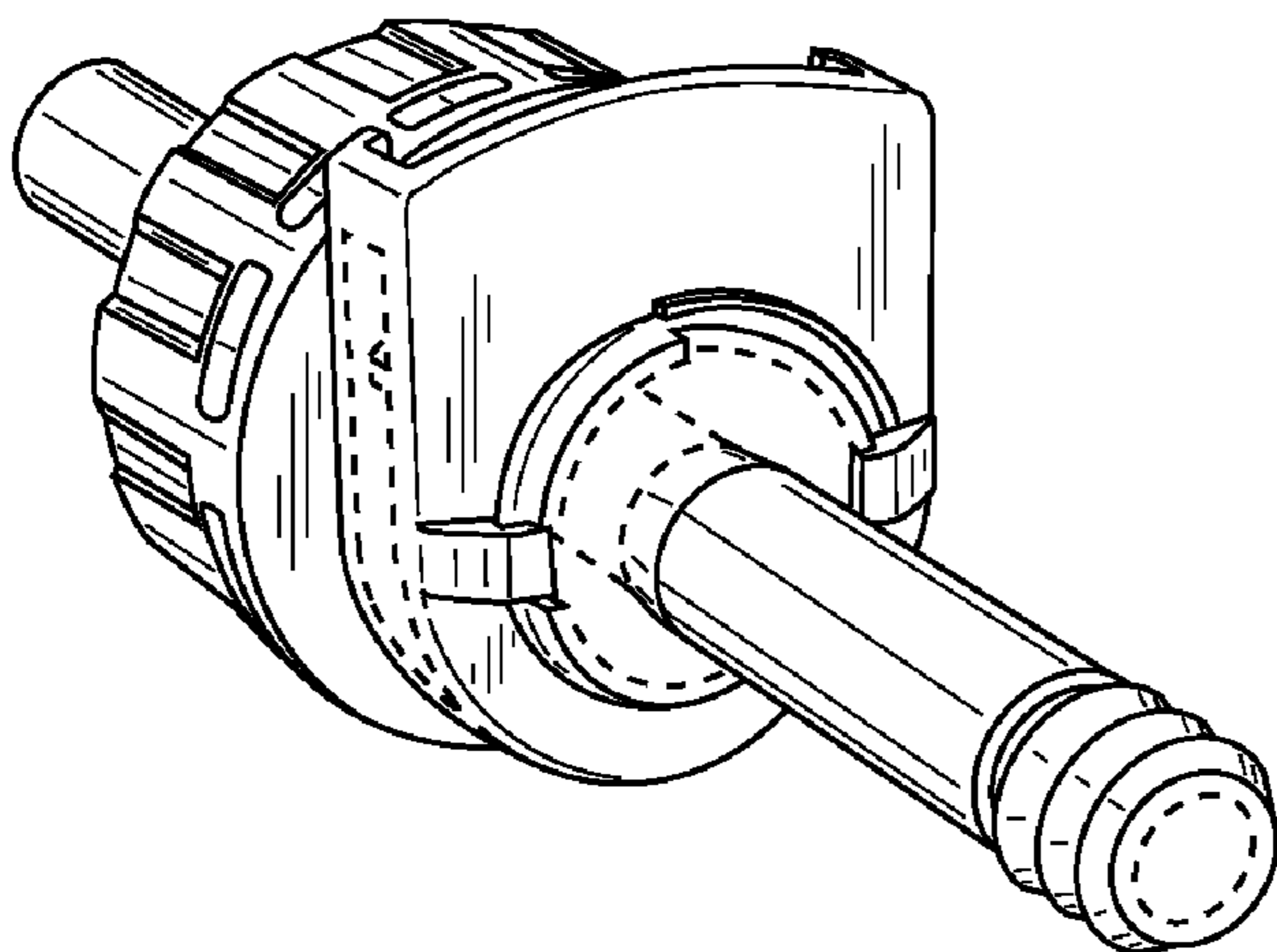


FIG. 1

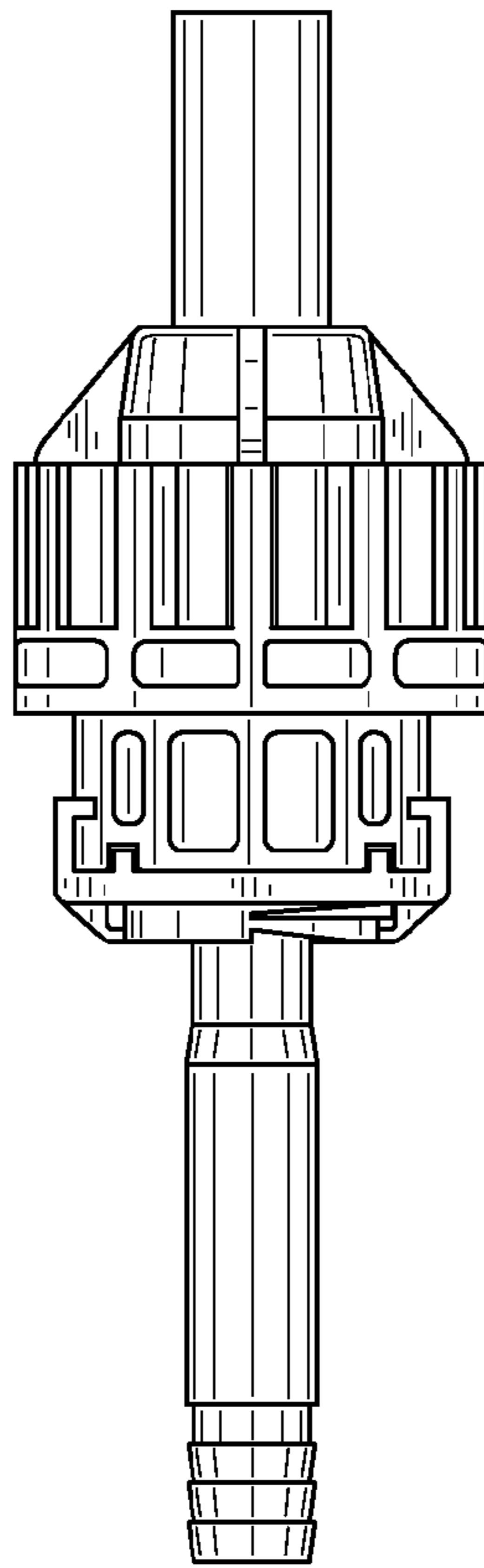


FIG. 2

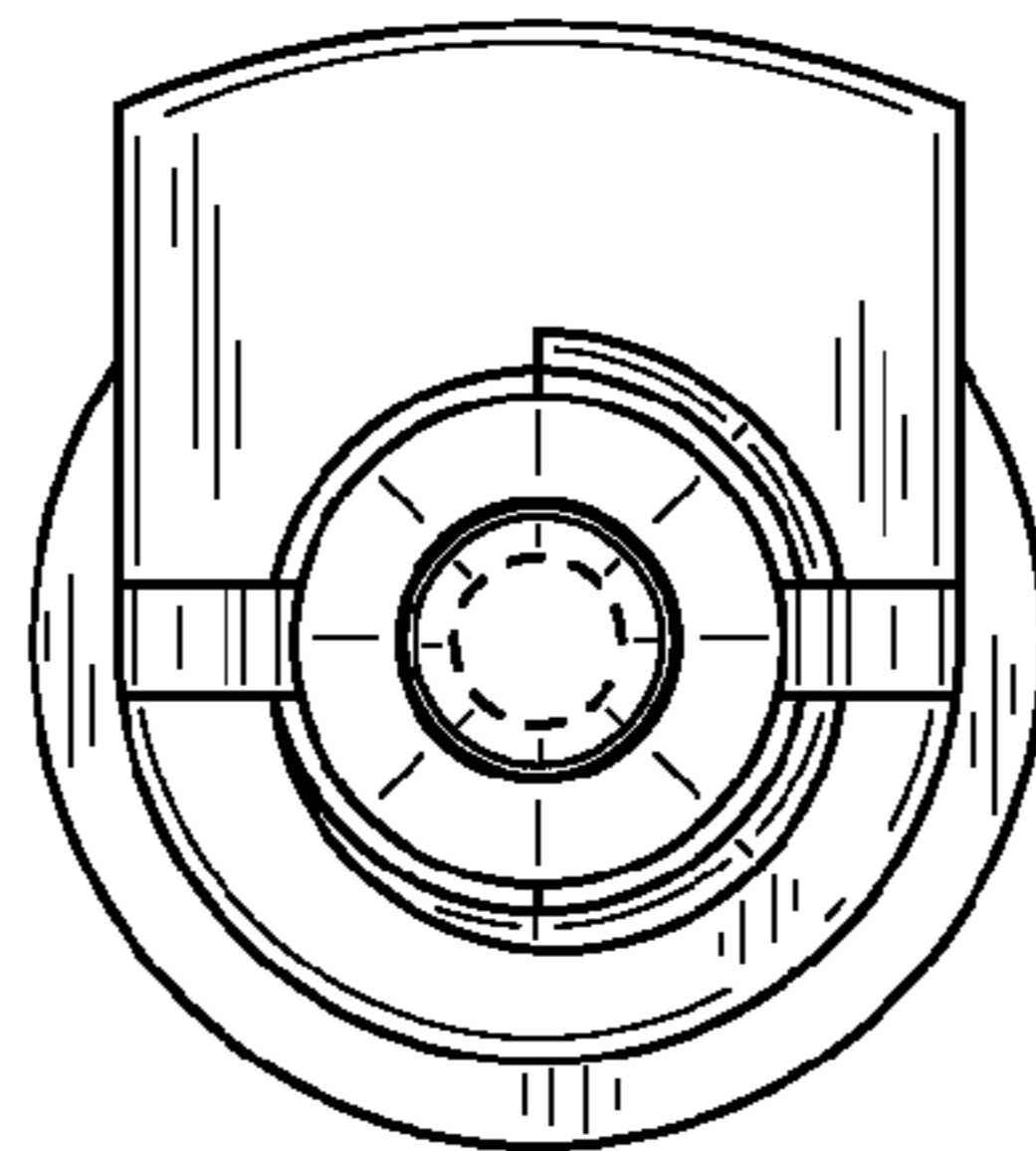


FIG. 3

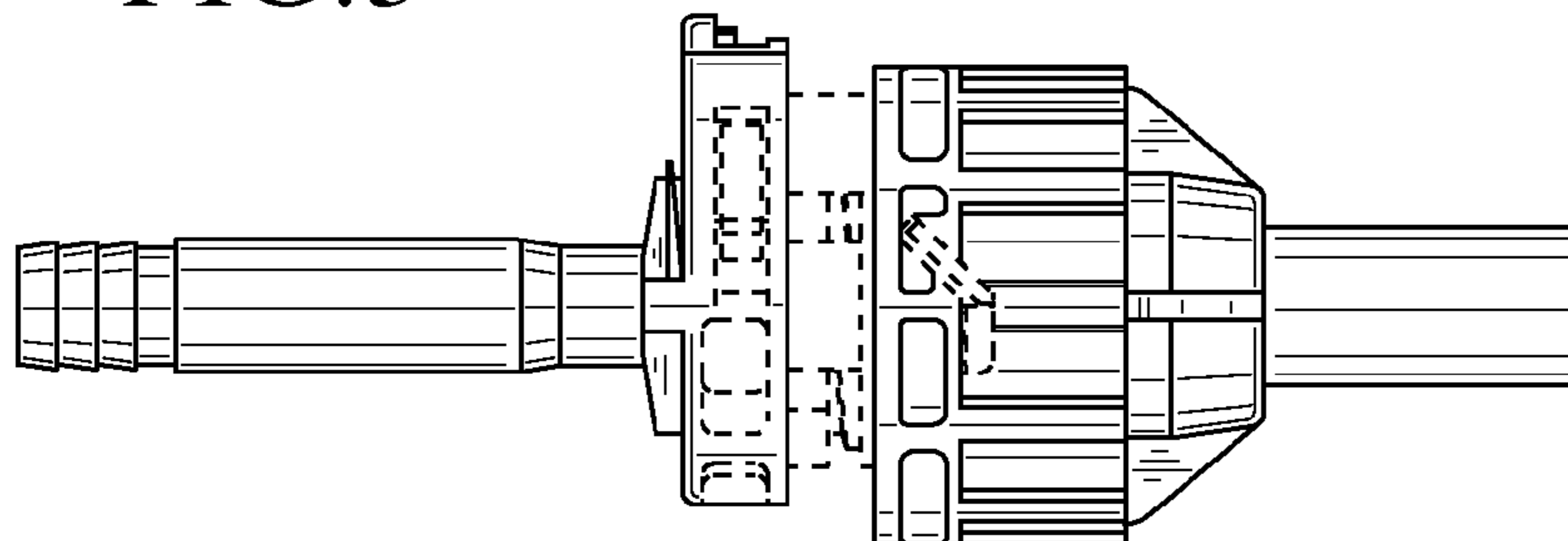


FIG.4

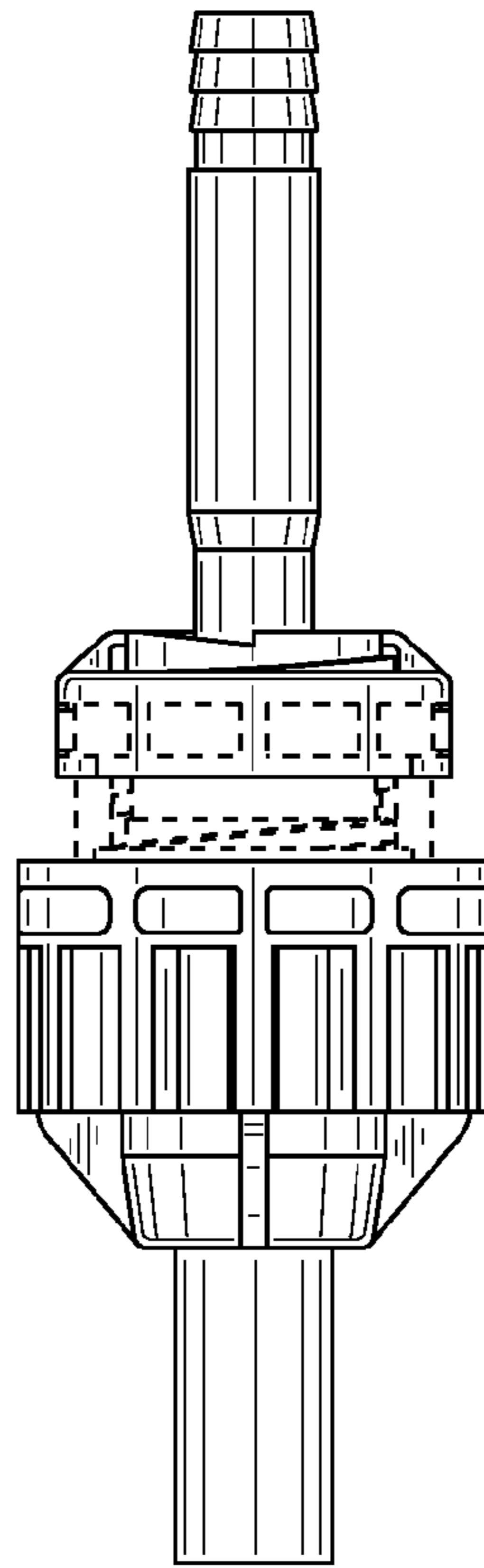


FIG.5

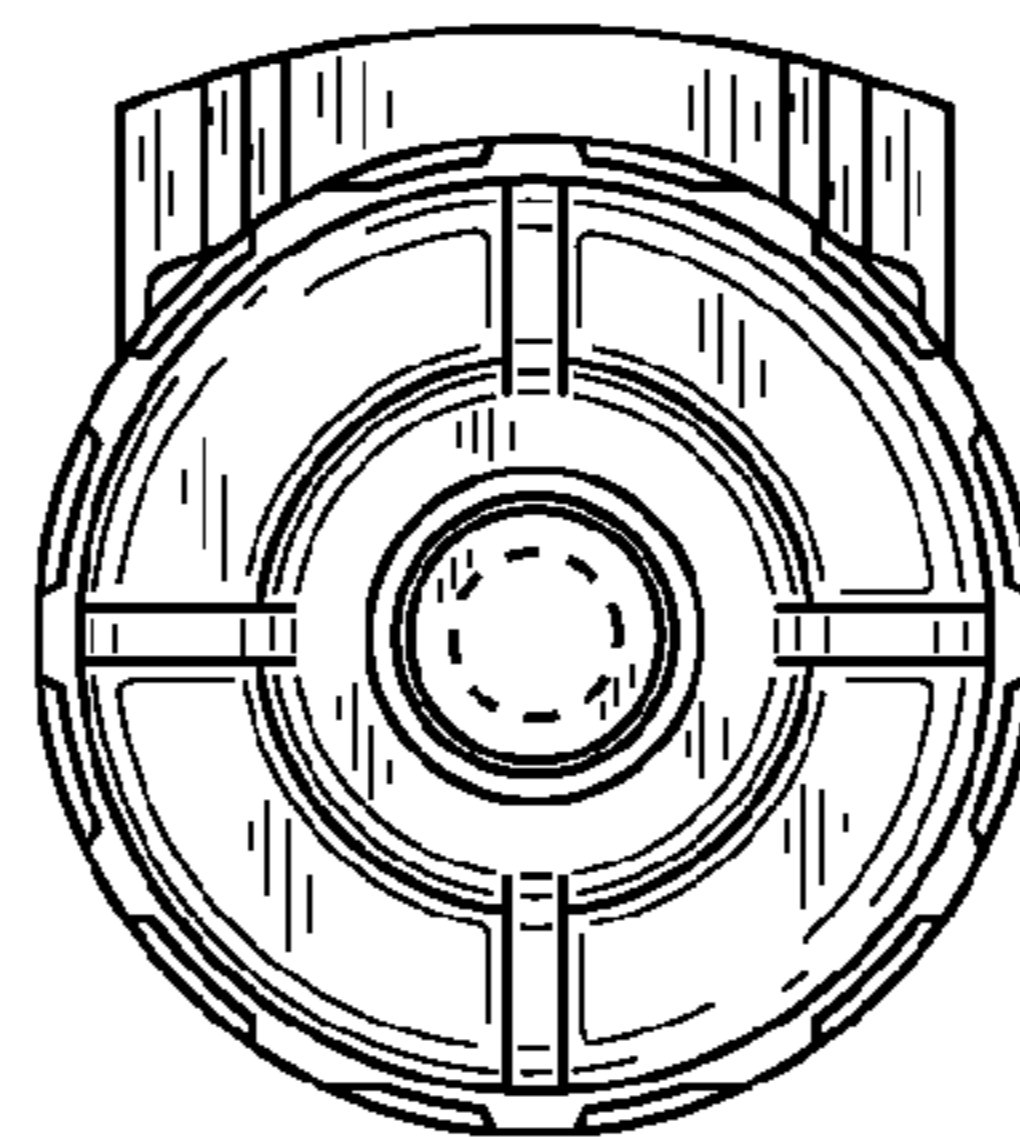


FIG.6

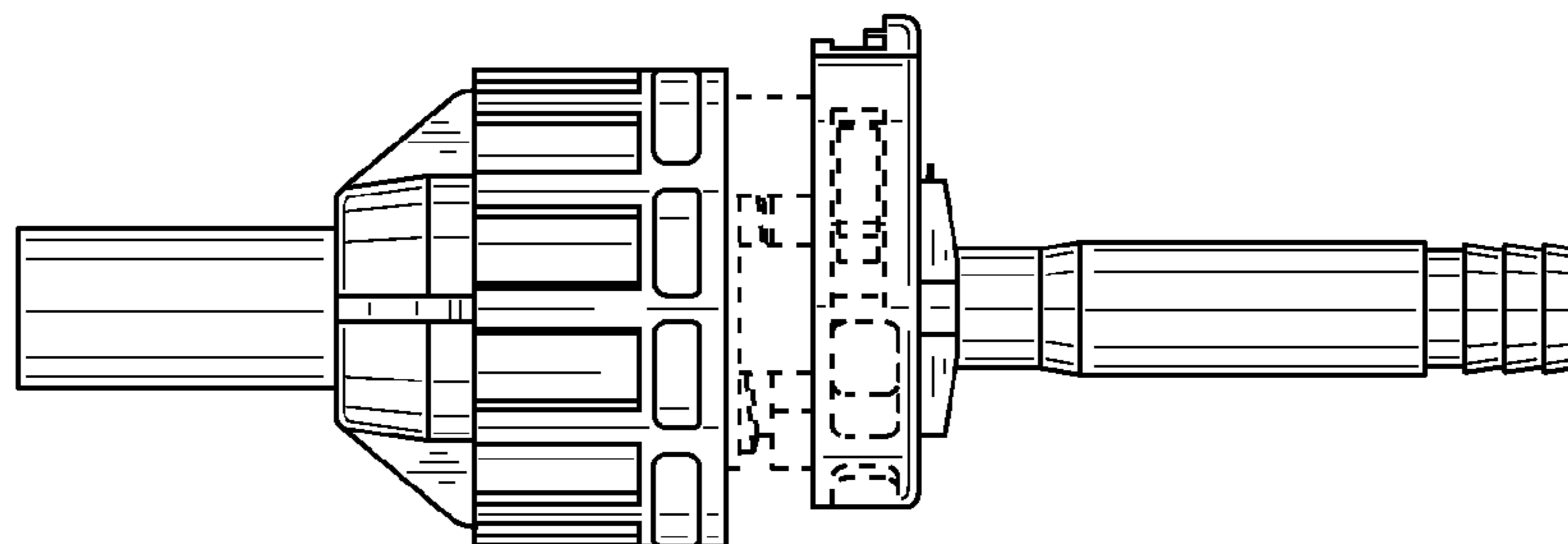


FIG. 7

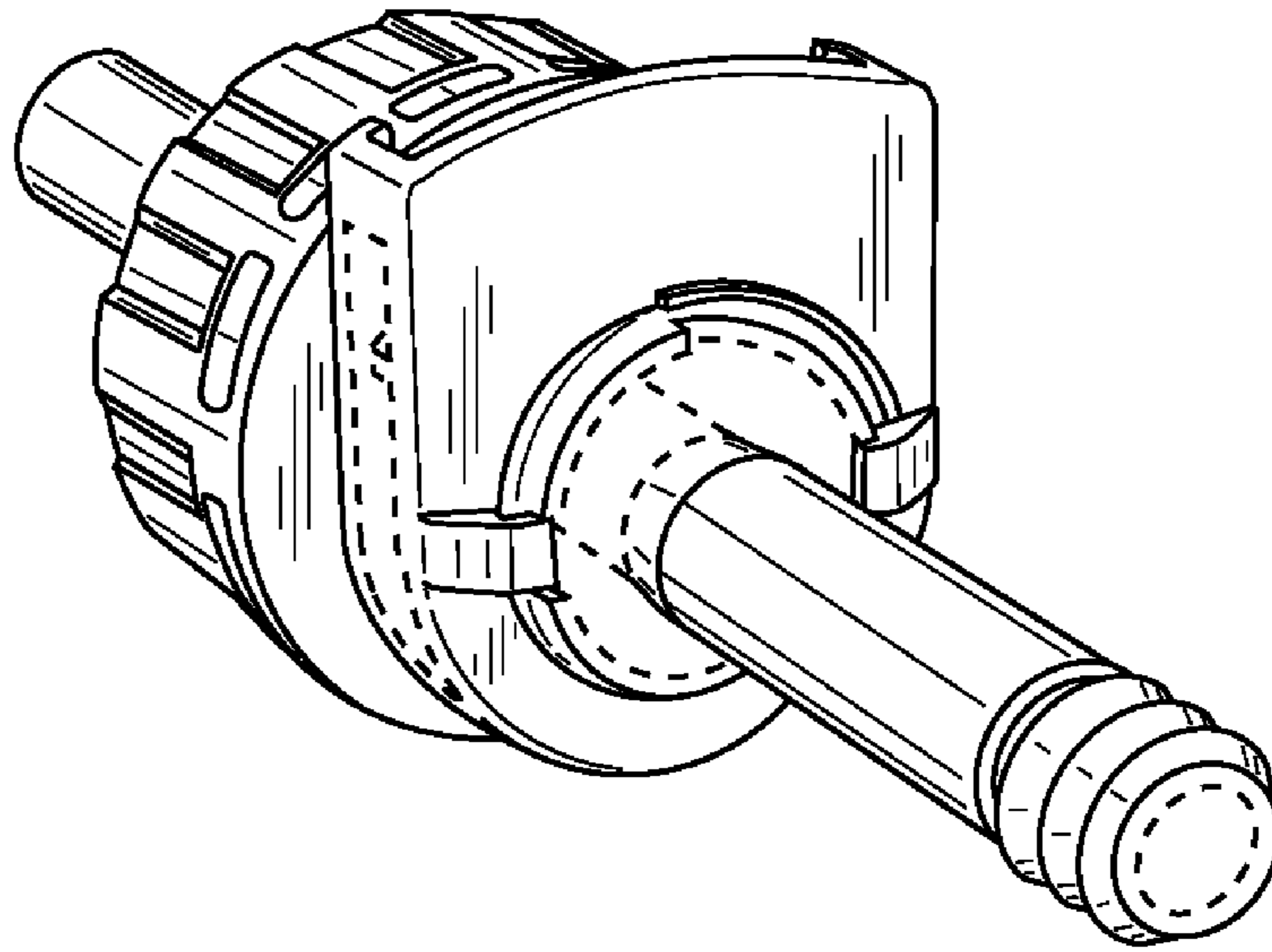


FIG. 8

