



US00D593499S

(12) **United States Design Patent**
Mase

(10) **Patent No.:** **US D593,499 S**
(45) **Date of Patent:** **** Jun. 2, 2009**

(54) **ELECTRICAL CONNECTOR HOUSING**

(75) Inventor: **Tsuyoshi Mase**, Yokkaichi (JP)

(73) Assignee: **Sumitomo Wiring Systems, Ltd.**,
Yokkaichi-Shi, Mie-Ken (JP)

(**) Term: **14 Years**

(21) Appl. No.: **29/323,841**

(22) Filed: **Sep. 2, 2008**

(30) **Foreign Application Priority Data**

Mar. 7, 2008 (JP) D2008-005748

(51) **LOC (9) Cl.** **13-03**

(52) **U.S. Cl.** **D13/154; D13/146; D13/147**

(58) **Field of Classification Search** D13/146-147,
D13/154, 184; 439/281, 282, 352-254, 357-358,
439/607-610, 680, 752

See application file for complete search history.

(56) **References Cited**

U.S. PATENT DOCUMENTS

D324,032 S * 2/1992 Sueyoshi et al. D13/147
5,575,672 A * 11/1996 Katsuma 439/157
6,123,574 A * 9/2000 Matsuda et al. 439/488

D472,524 S * 4/2003 Yamawaki et al. D13/147
D503,150 S * 3/2005 Yamawaki et al. D13/147
D522,459 S * 6/2006 Chen et al. D13/147
2005/0124218 A1 * 6/2005 Chen et al. 439/607

* cited by examiner

Primary Examiner—Daniel D Bui

(74) *Attorney, Agent, or Firm*—Sawyer Law Group, P.C.

(57) **CLAIM**

The ornamental design for an electrical connector housing, as shown and described.

DESCRIPTION

FIG. 1 is a perspective view of an electrical connector housing showing my new design;

FIG. 2 is a front view thereof;

FIG. 3 is a rear view thereof;

FIG. 4 is a top plan view thereof, the bottom plan view being a mirror image of FIG. 4;

FIG. 5 is a right side view thereof; and,

FIG. 6 is a left side view thereof.

The broken line portion of the figure drawings is included to show unclaimed subject matter.

1 Claim, 5 Drawing Sheets

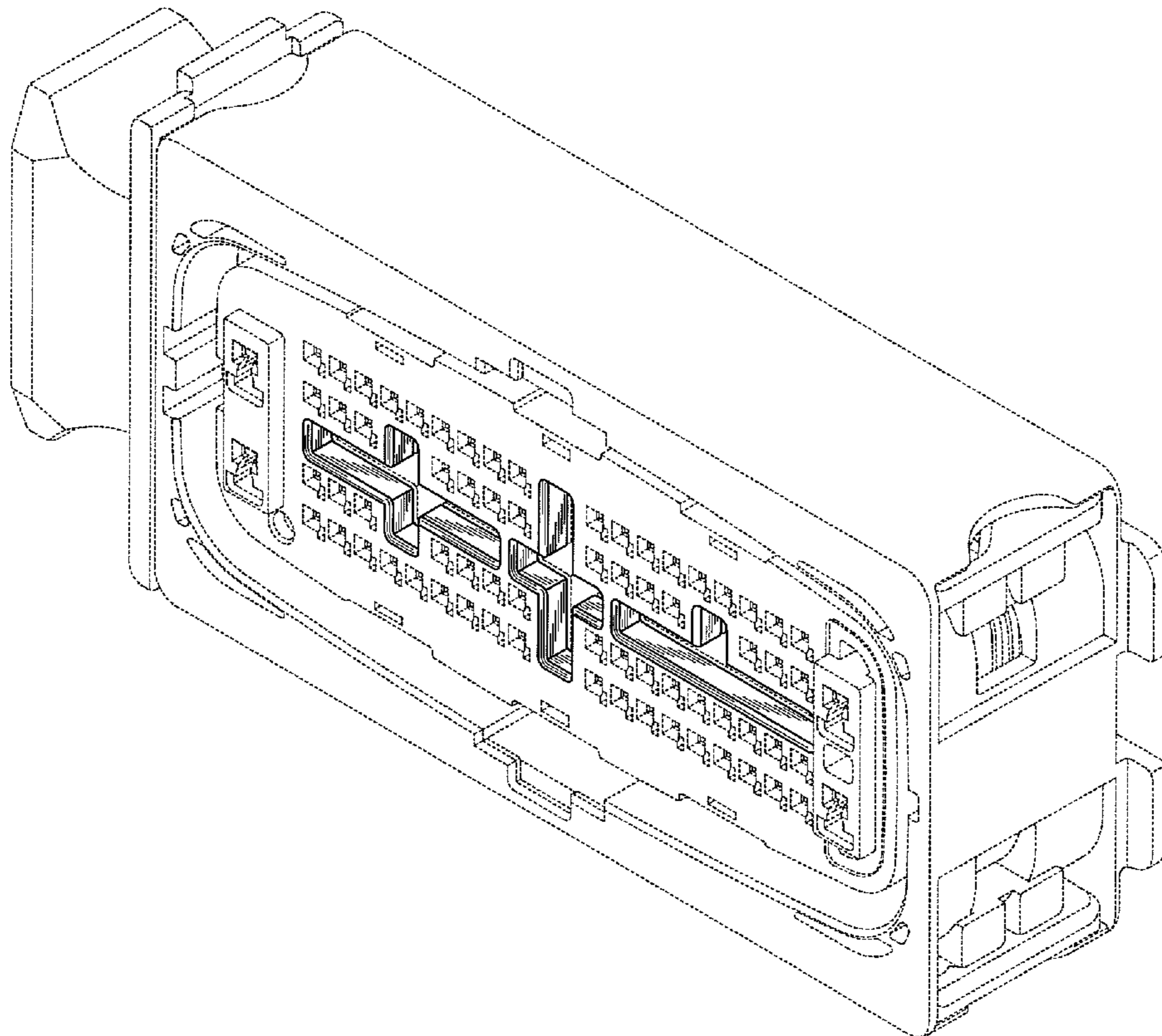


FIG. 1

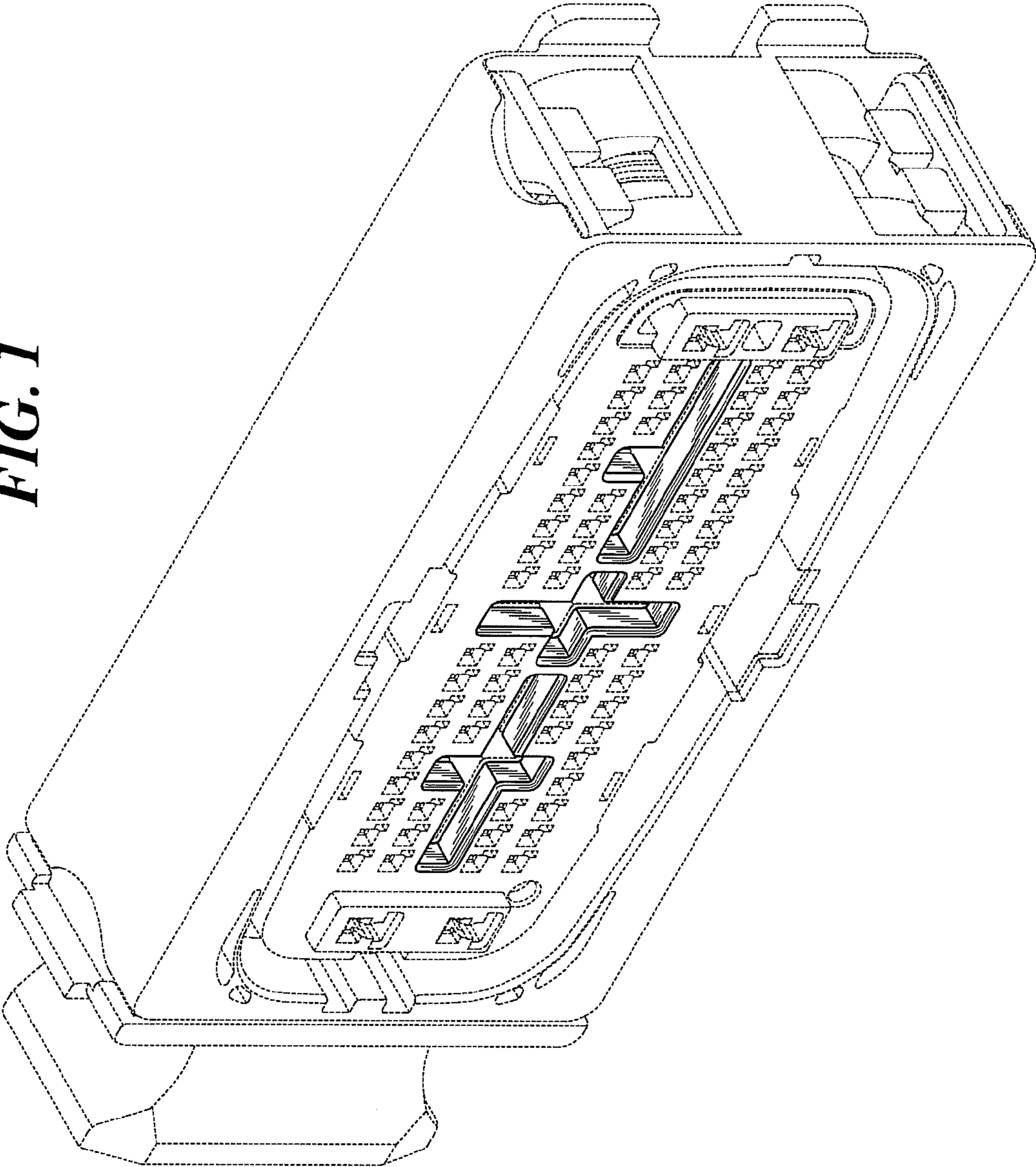


FIG. 2

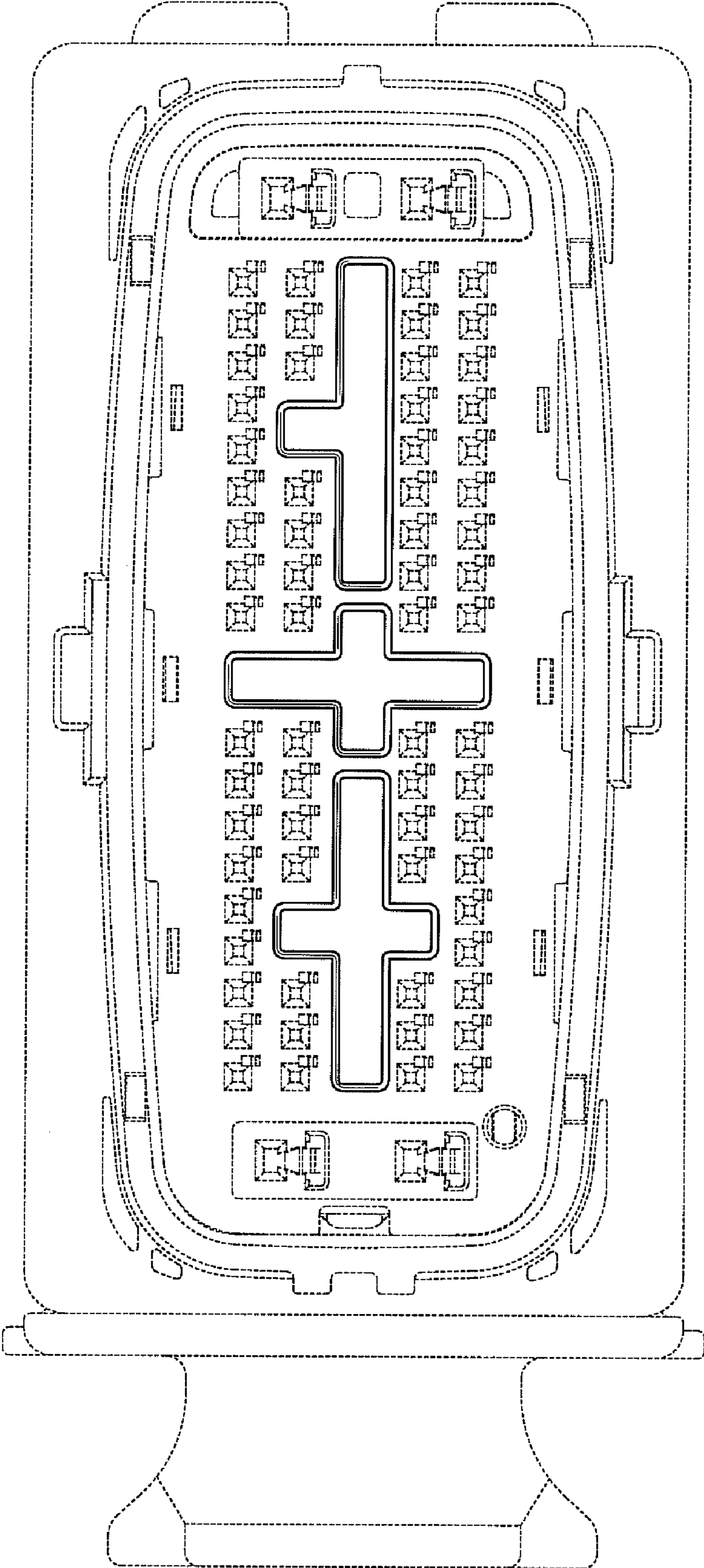


FIG. 3

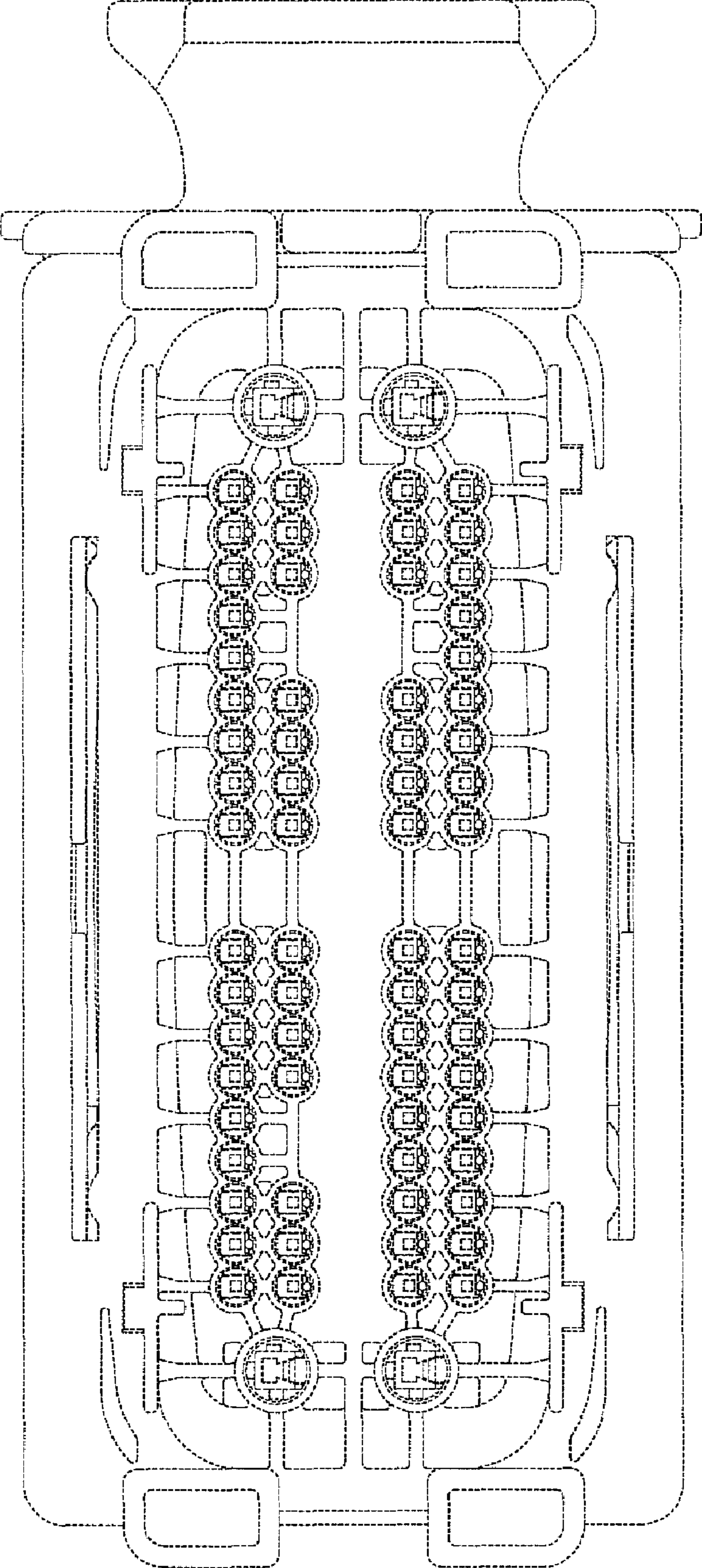


FIG. 4

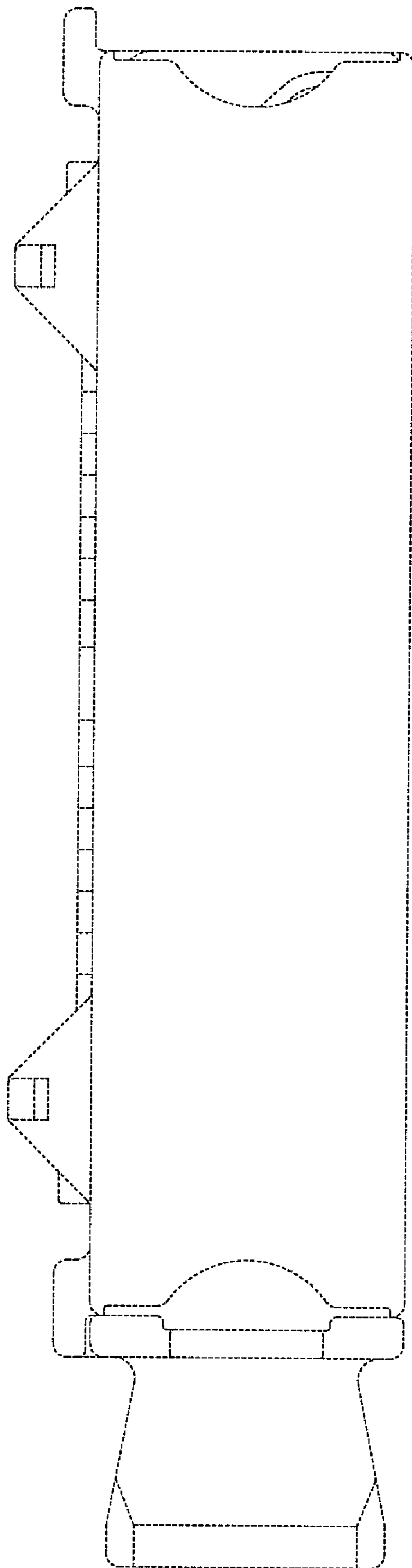


FIG. 6

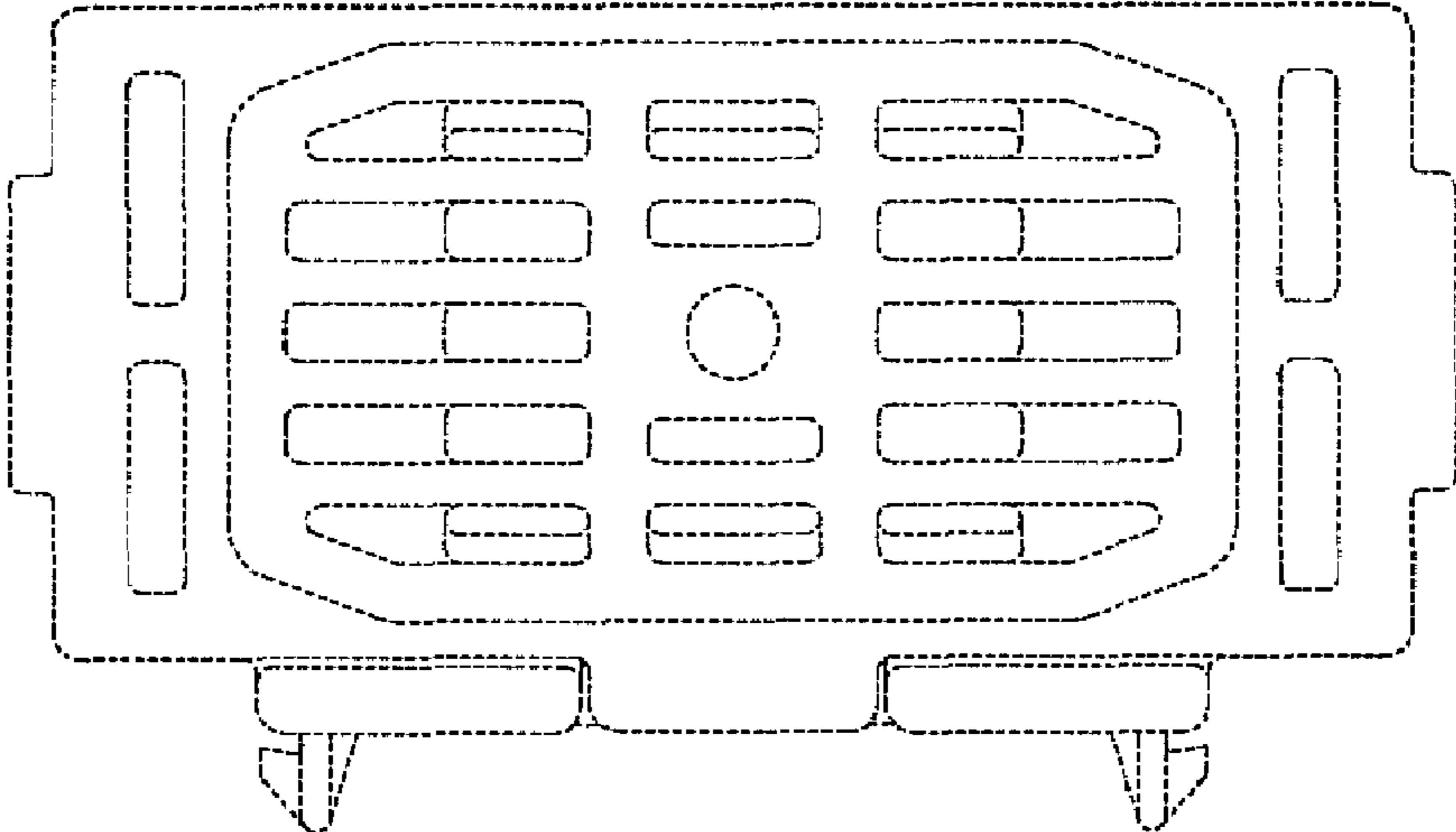


FIG. 5

