

US00D593494S

(12) **United States Design Patent**
Ma et al.

(10) **Patent No.:** **US D593,494 S**
(45) **Date of Patent:** **** Jun. 2, 2009**

(54) **ELECTRICAL CARD CONNECTOR**

(75) Inventors: **Zhong-Jun Ma**, ShenZhen (CN); **Nan Hu**, ShenZhen (CN)

(73) Assignee: **Hon Hai Precision Ind. Co., Ltd.**, Taipei Hsien (TW)

(**) Term: **14 Years**

(21) Appl. No.: **29/310,927**

(22) Filed: **Sep. 17, 2008**

(30) **Foreign Application Priority Data**

Mar. 17, 2008 (CN) 2008 3 0024207

(51) **LOC (9) Cl.** **13-03**

(52) **U.S. Cl.** **D13/147**

(58) **Field of Classification Search** D13/146-147,
D13/154, 184; D14/433, 435, 436, 438;
361/684-685; 439/64, 79, 159-160, 607-610,
439/629-630, 660

See application file for complete search history.

(56) **References Cited**

U.S. PATENT DOCUMENTS

D484,128 S * 12/2003 Chung D14/356
D518,439 S * 4/2006 Su D13/147

7,059,909 B1 * 6/2006 Tseng et al. 439/630
D583,767 S * 12/2008 Chiang D13/147
2008/0176440 A1 * 7/2008 Hu et al. 439/345

* cited by examiner

Primary Examiner—Daniel D Bui

(74) *Attorney, Agent, or Firm*—Wei Te Chung

(57) **CLAIM**

The ornamental design for an electrical card connector, as shown.

DESCRIPTION

FIG. 1 is a front, top and right side perspective view of an electrical card connector;

FIG. 2 is a front elevational view thereof;

FIG. 3 is a rear elevational view thereof;

FIG. 4 is a left side elevational view thereof;

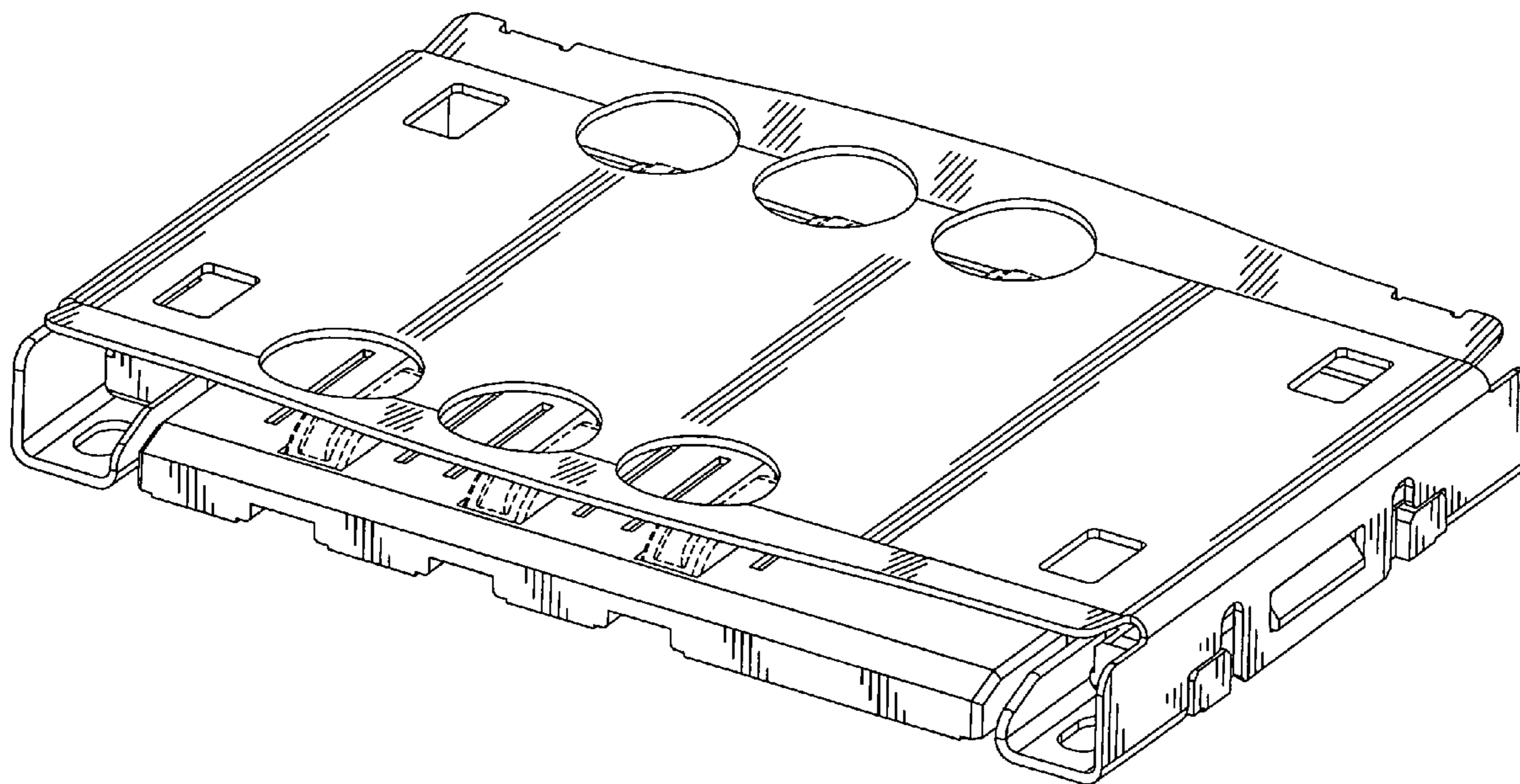
FIG. 5 is a right side elevational view thereof;

FIG. 6 is a top plan view thereof; and,

FIG. 7 is a bottom plan view thereof.

The broken line portion of the figure drawings is included to show unclaimed subject matter only and forms no part of the claimed design.

1 Claim, 7 Drawing Sheets



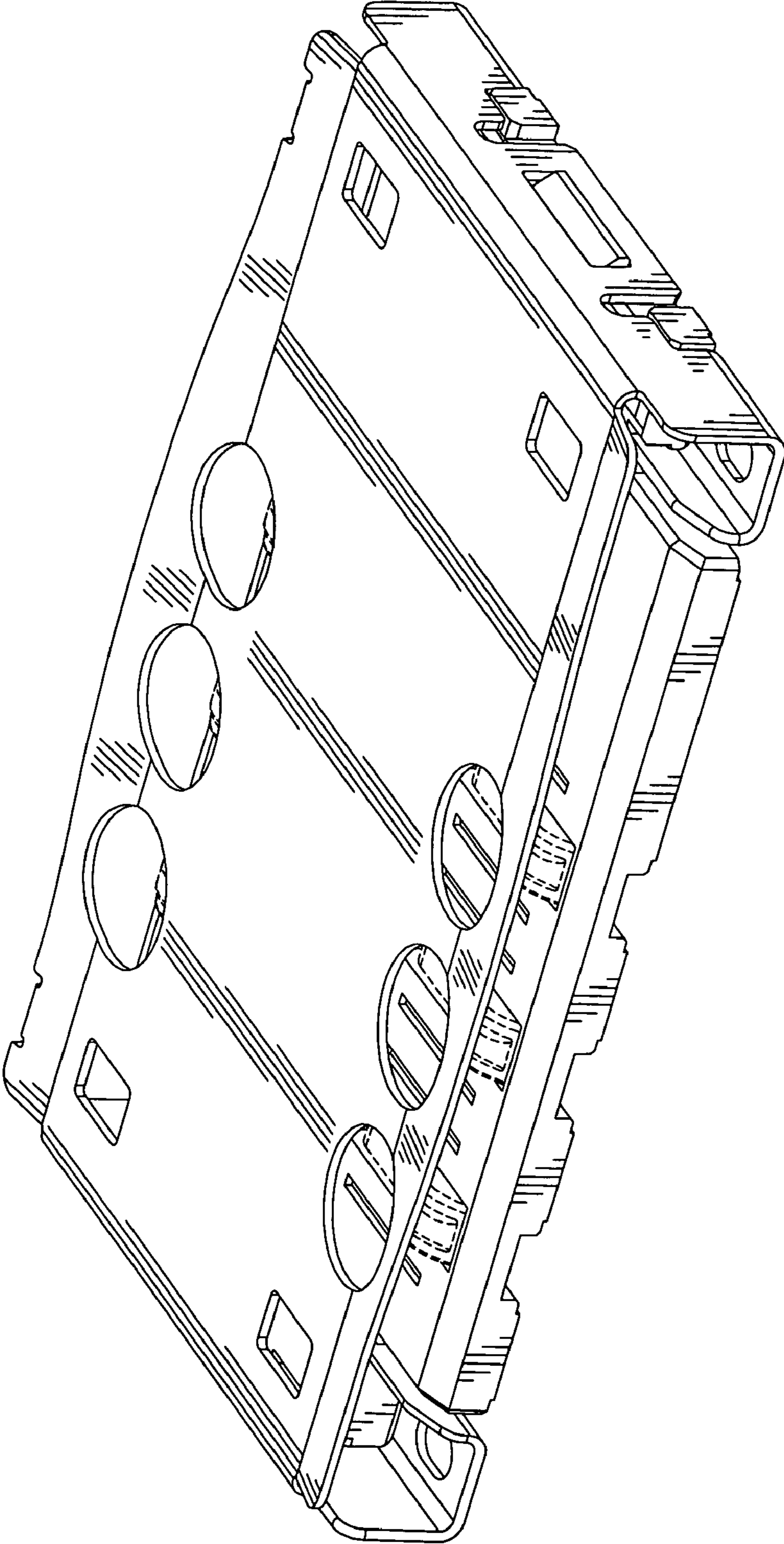


FIG. 1

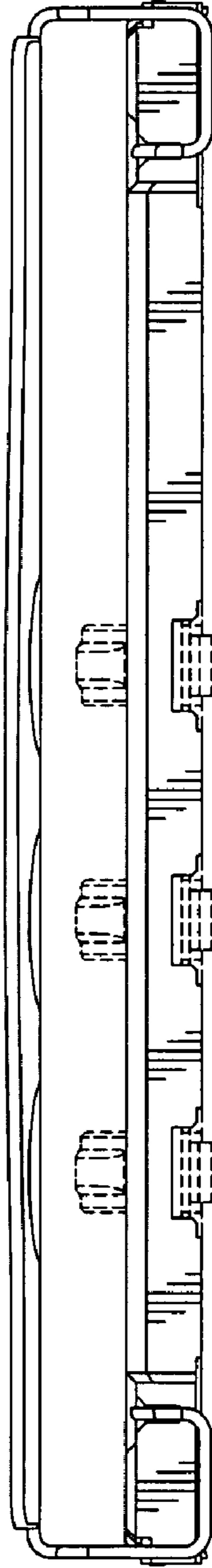


FIG. 2

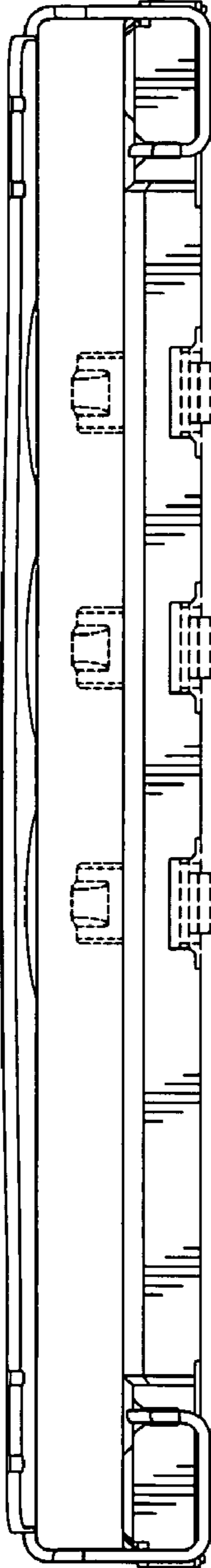


FIG. 3

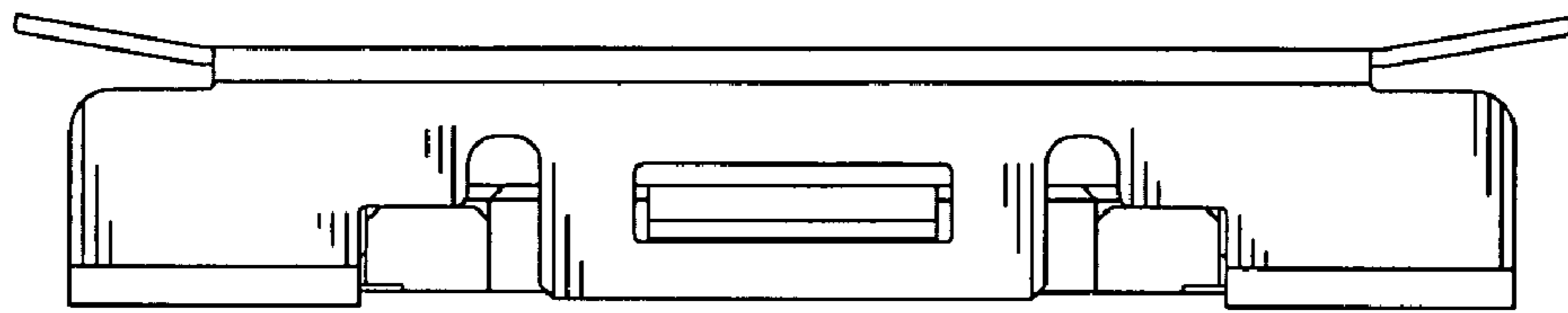


FIG. 4

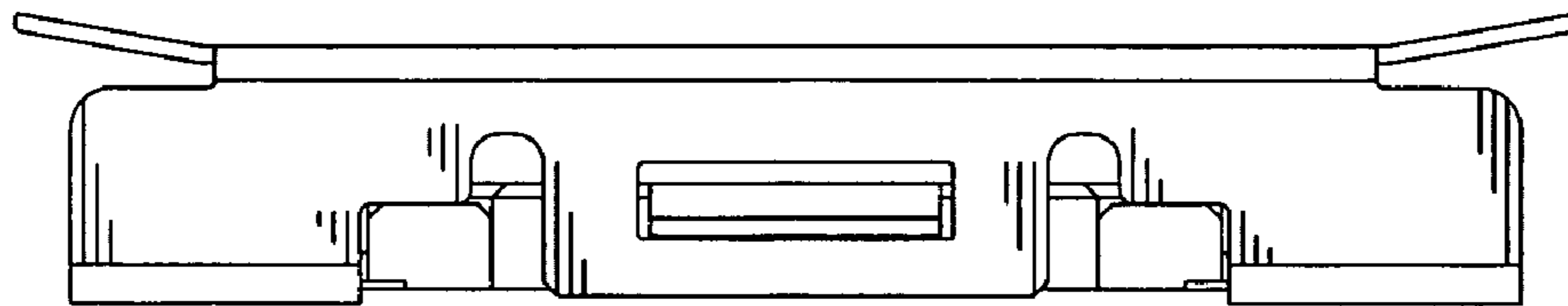


FIG. 5

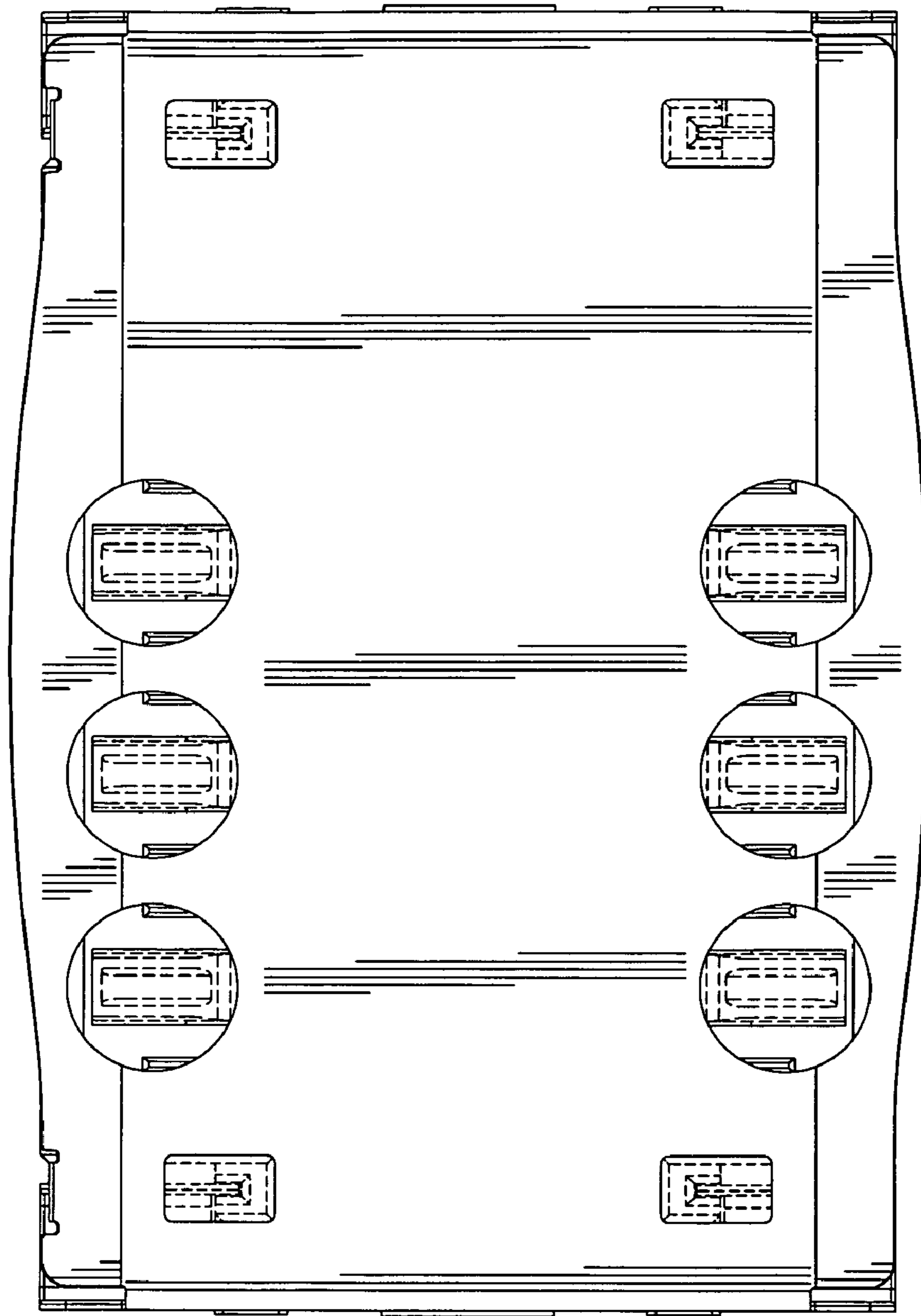


FIG. 6

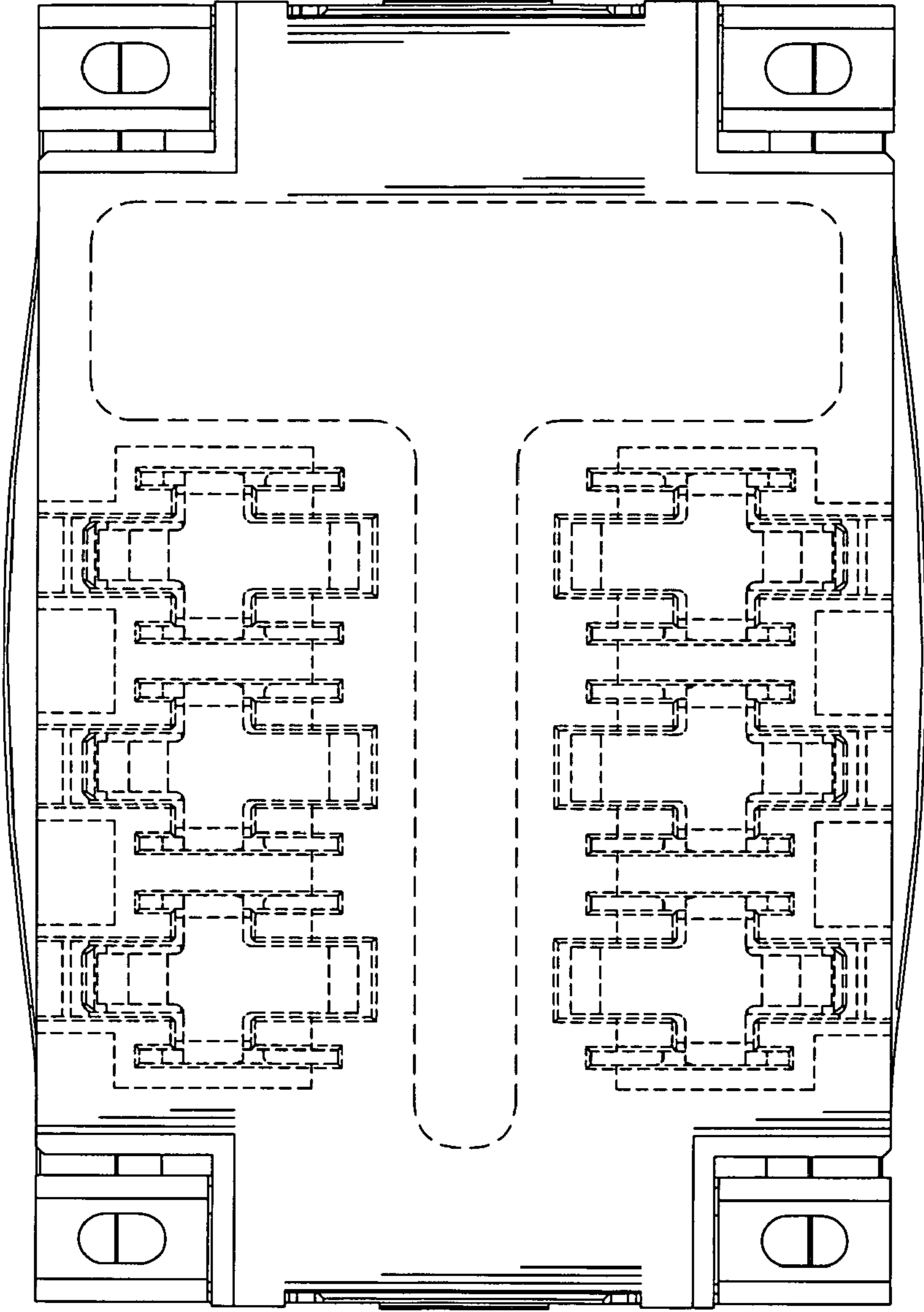


FIG. 7