



US00D593493S

(12) **United States Design Patent**
Wang

(10) **Patent No.:** **US D593,493 S**
(45) **Date of Patent:** **** Jun. 2, 2009**

(54) **RECEPTACLE CONNECTOR**

(75) Inventor: **Chin Chou Wang**, Tu-Cheng (TW)

(73) Assignee: **Cheng Uei Precision Industry Co., Ltd.**, Taipei Hsien (TW)

(**) Term: **14 Years**

(21) Appl. No.: **29/309,433**

(22) Filed: **Aug. 18, 2008**

(51) **LOC (9) Cl.** **13-03**

(52) **U.S. Cl.** **D13/147**

(58) **Field of Classification Search** D13/146-147,
D13/154, 184; D14/432, 433, 435, 436;
439/71-73, 83, 330-331, 607-610, 629-631,
439/638, 680

See application file for complete search history.

(56) **References Cited**

U.S. PATENT DOCUMENTS

D524,246 S * 7/2006 Wang et al. D13/147
D531,122 S * 10/2006 Asai et al. D13/147
7,147,481 B2 * 12/2006 Yang 439/71

D539,224 S * 3/2007 Nishio et al. D13/147
D540,260 S * 4/2007 Yang D13/147
D562,242 S * 2/2008 Yang D13/147
D562,250 S * 2/2008 Ma D13/147

* cited by examiner

Primary Examiner—Daniel D Bui

(74) *Attorney, Agent, or Firm*—Rosenberg, Klein & Lee

(57) **CLAIM**

The ornamental design for a receptacle connector, as shown and described.

DESCRIPTION

FIG. 1 is a perspective view of a receptacle connector showing my new design;

FIG. 2 is a front elevational view thereof;

FIG. 3 is a rear elevational view thereof;

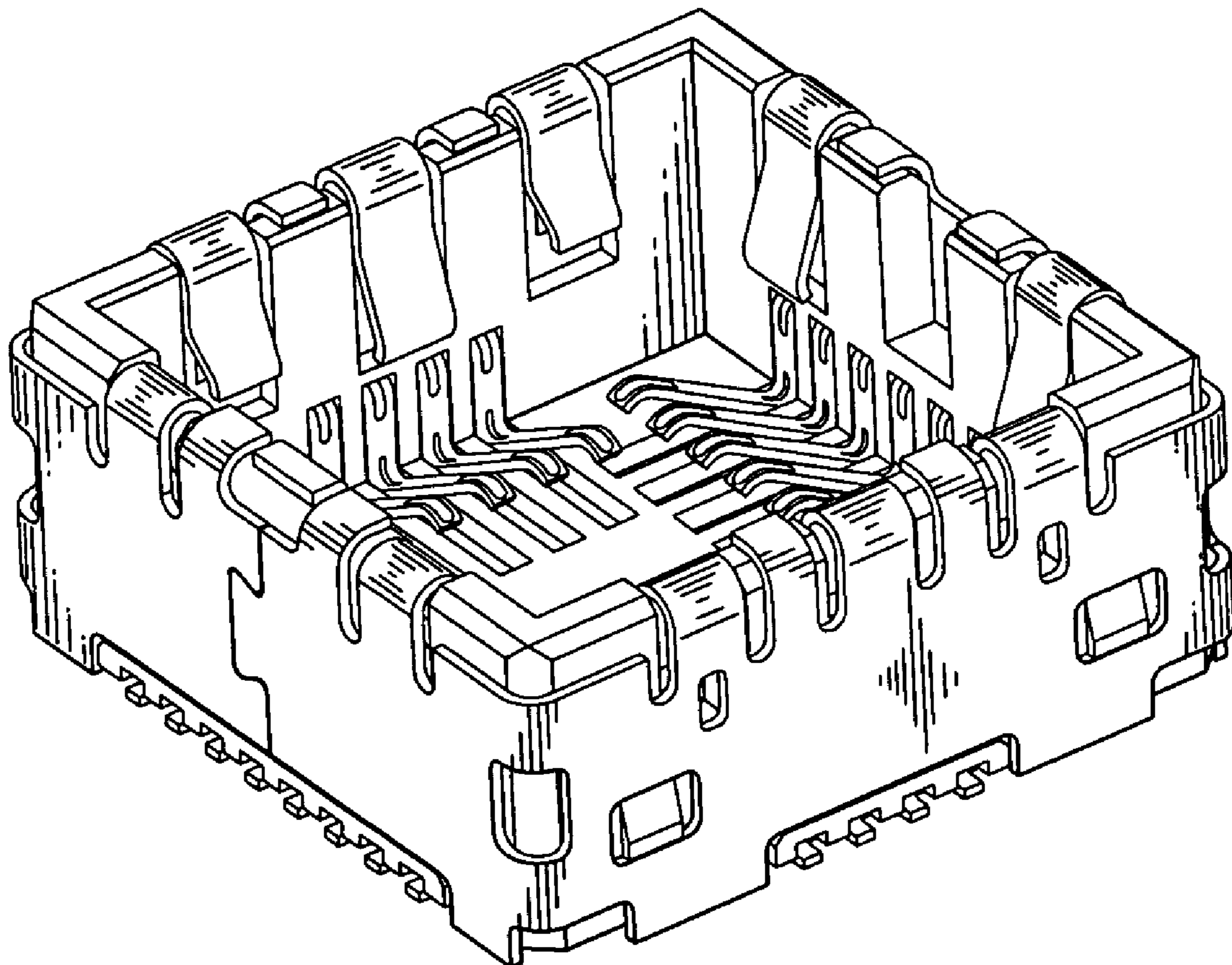
FIG. 4 is a left side elevational view thereof;

FIG. 5 is a right side elevational view thereof;

FIG. 6 is a top plan view thereof; and,

FIG. 7 is a bottom plan view thereof.

1 Claim, 7 Drawing Sheets



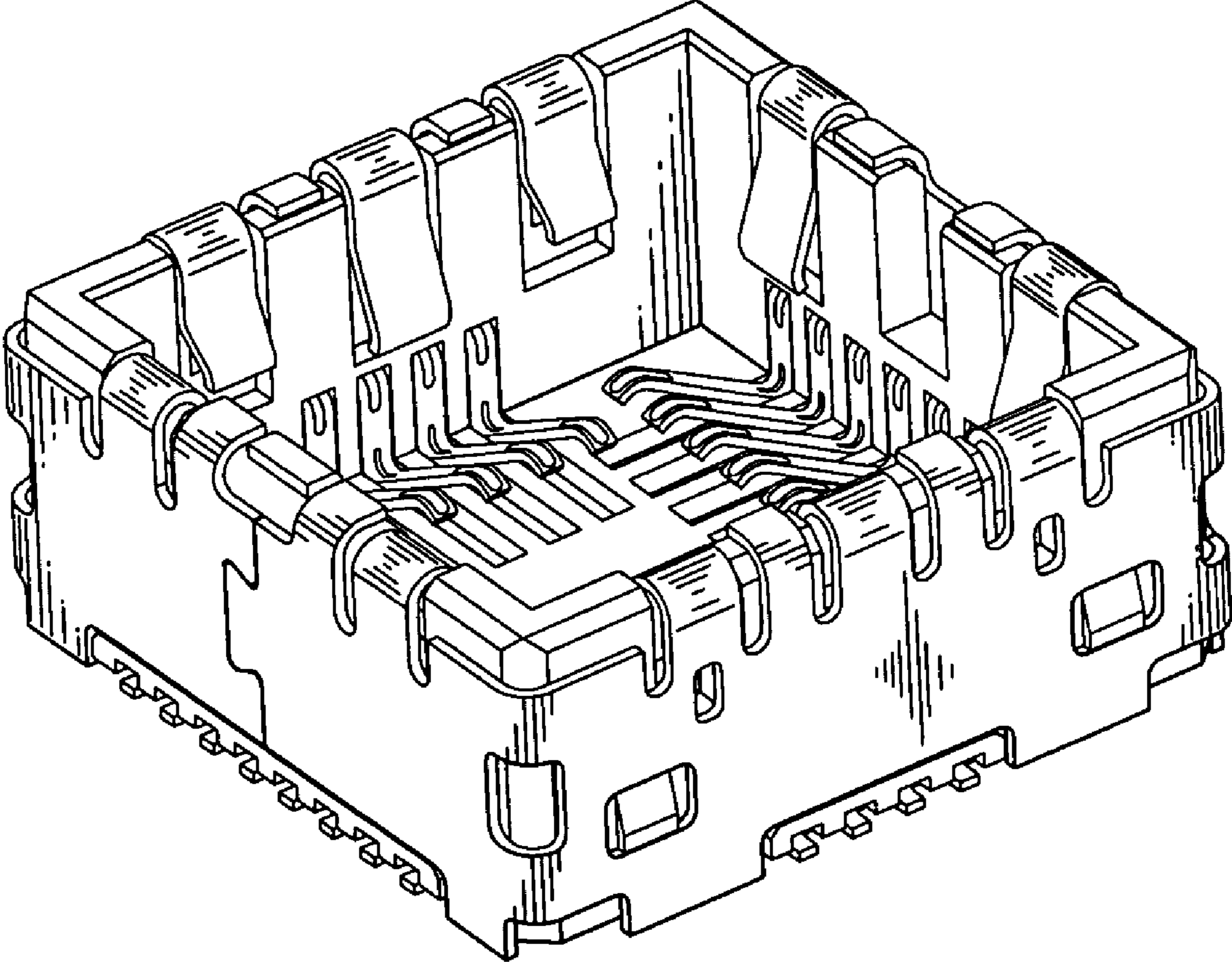


FIG. 1

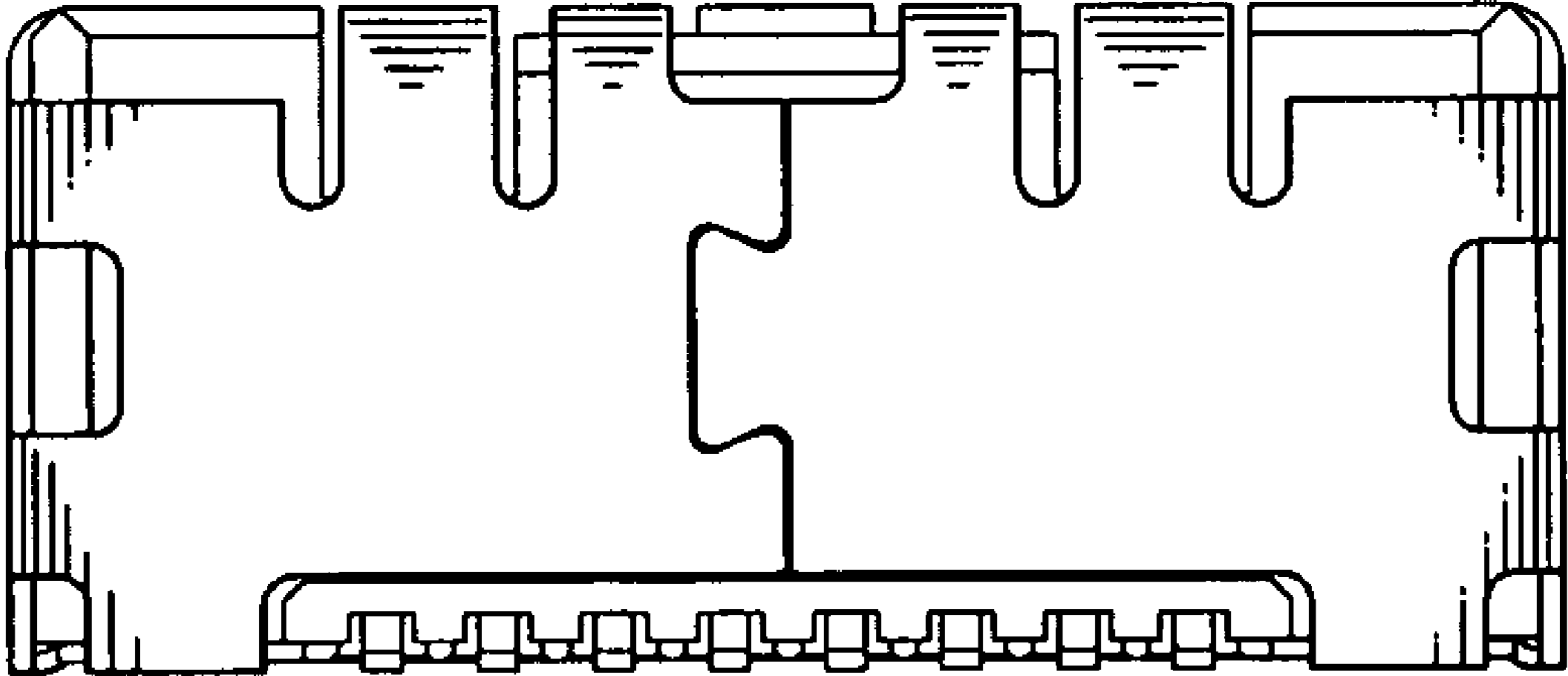


FIG. 2

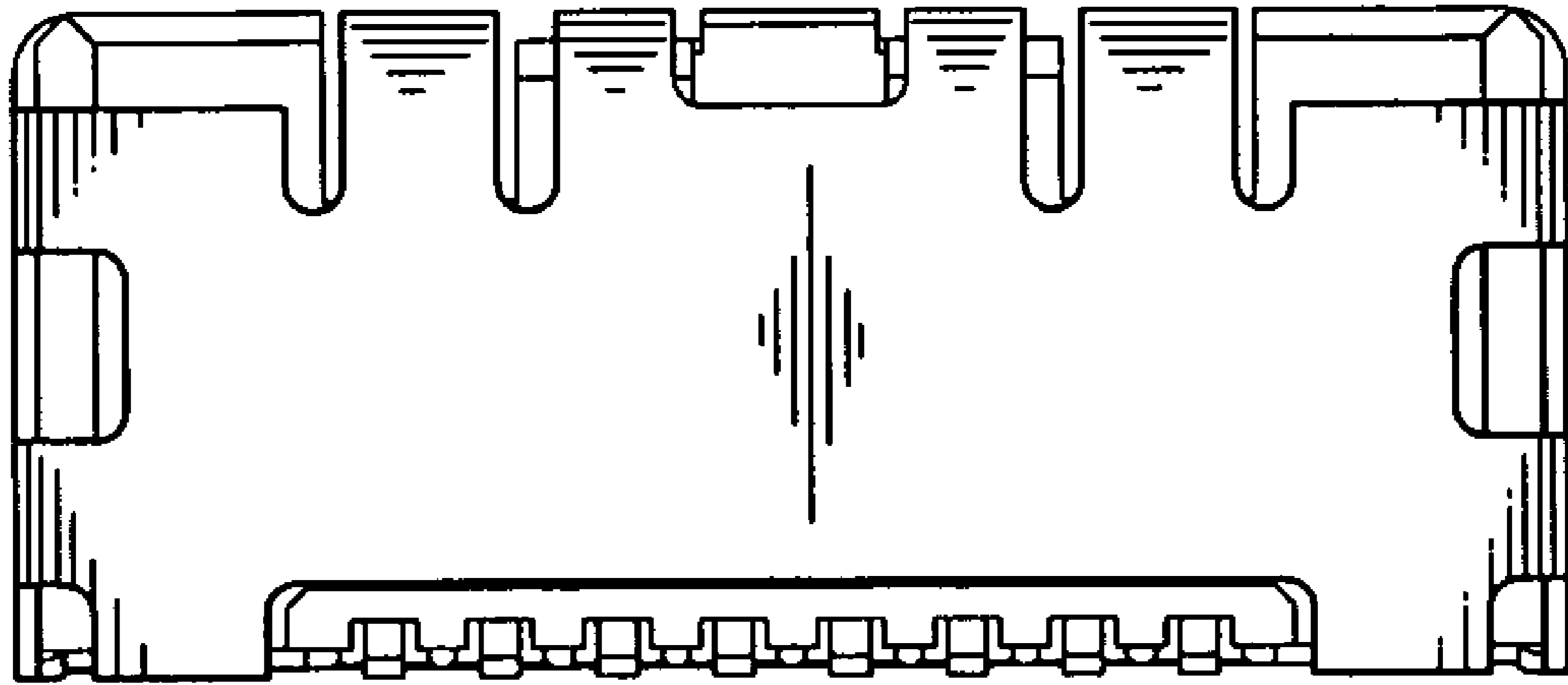


FIG. 3

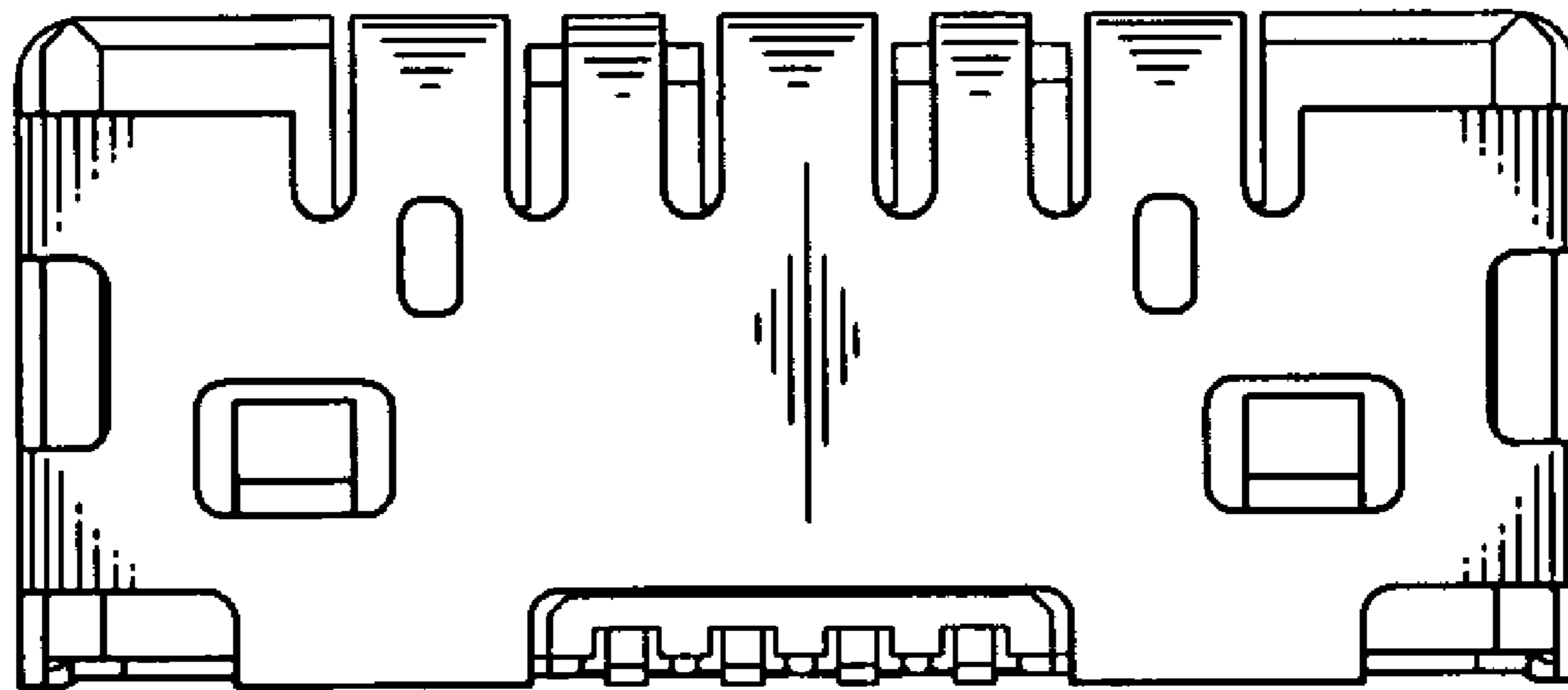


FIG. 4

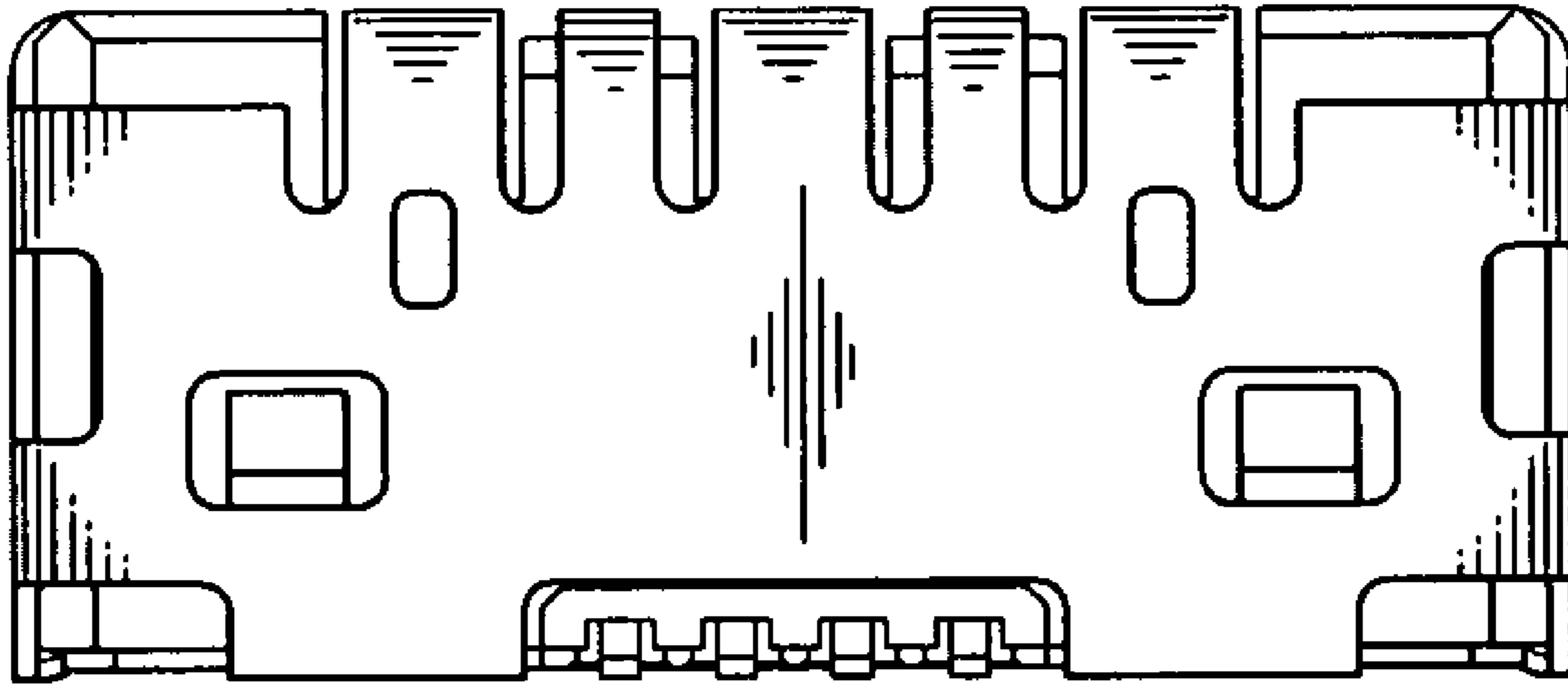


FIG. 5

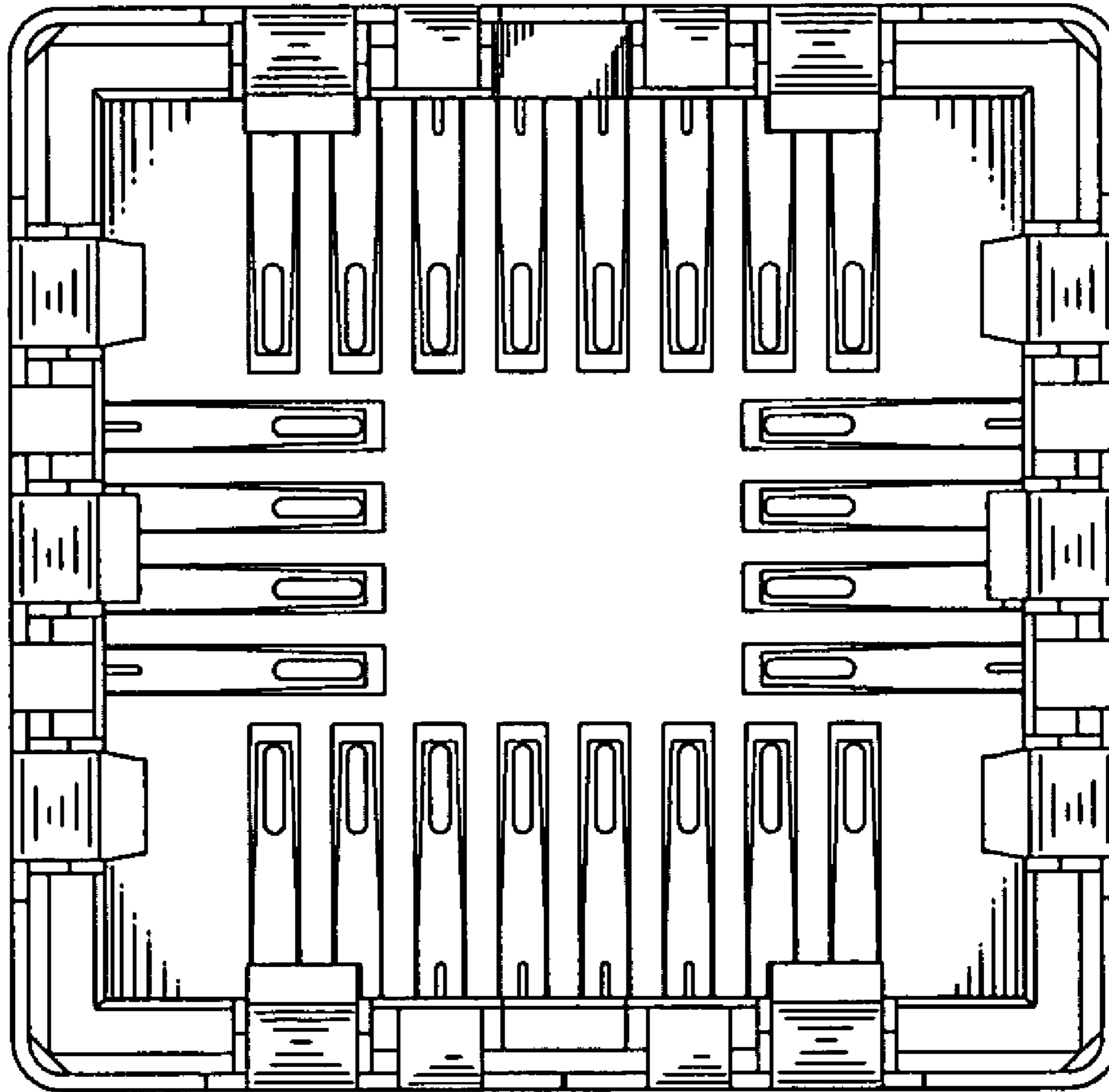


FIG. 6

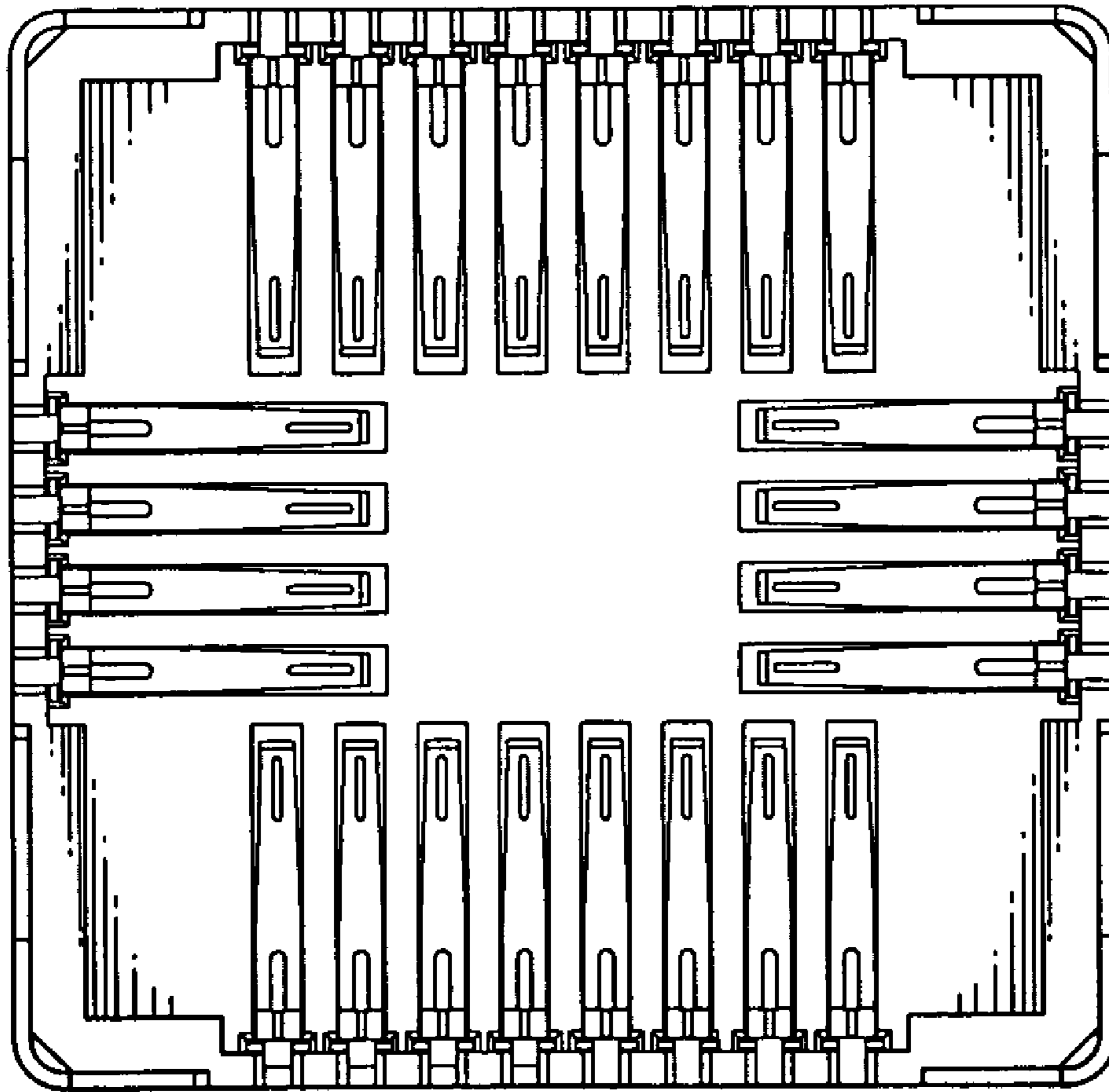


FIG. 7