



US00D593492S

(12) **United States Design Patent**
Peng

(10) **Patent No.:** **US D593,492 S**

(45) **Date of Patent:** **** Jun. 2, 2009**

(54) **PLUG CONNECTOR**

D492,256 S * 6/2004 Wu D13/147

(75) Inventor: **Yung Chi Peng**, Tu-Cheng (TW)

* cited by examiner

(73) Assignee: **Cheng Uei Precision Industry Co., Ltd.**, Taipei Hsien (TW)

Primary Examiner—Daniel D Bui
(74) *Attorney, Agent, or Firm*—Rosenberg, Klein & Lee

(**) Term: **14 Years**

(57) **CLAIM**

(21) Appl. No.: **29/309,432**

The ornamental design for a plug connector, as shown and described.

(22) Filed: **Aug. 18, 2008**

DESCRIPTION

(51) **LOC (9) Cl.** **13-03**

(52) **U.S. Cl.** **D13/133; D13/147**

(58) **Field of Classification Search** D13/133,
D13/146–147, 154, 184; D14/433, 435,
D14/436, 438; 361/684–685; 439/64, 78,
439/79, 159–160, 540.1, 564, 573, 607–610,
439/626, 628–630, 650, 653, 677, 660
See application file for complete search history.

FIG. 1 is a perspective view of a plug connector showing my new design;

FIG. 2 is a front elevational view thereof;

FIG. 3 is a rear elevational view thereof;

FIG. 4 is a left side elevational view thereof;

FIG. 5 is a right side elevational view thereof;

FIG. 6 is a top plan view thereof;

FIG. 7 is a bottom plan view thereof; and,

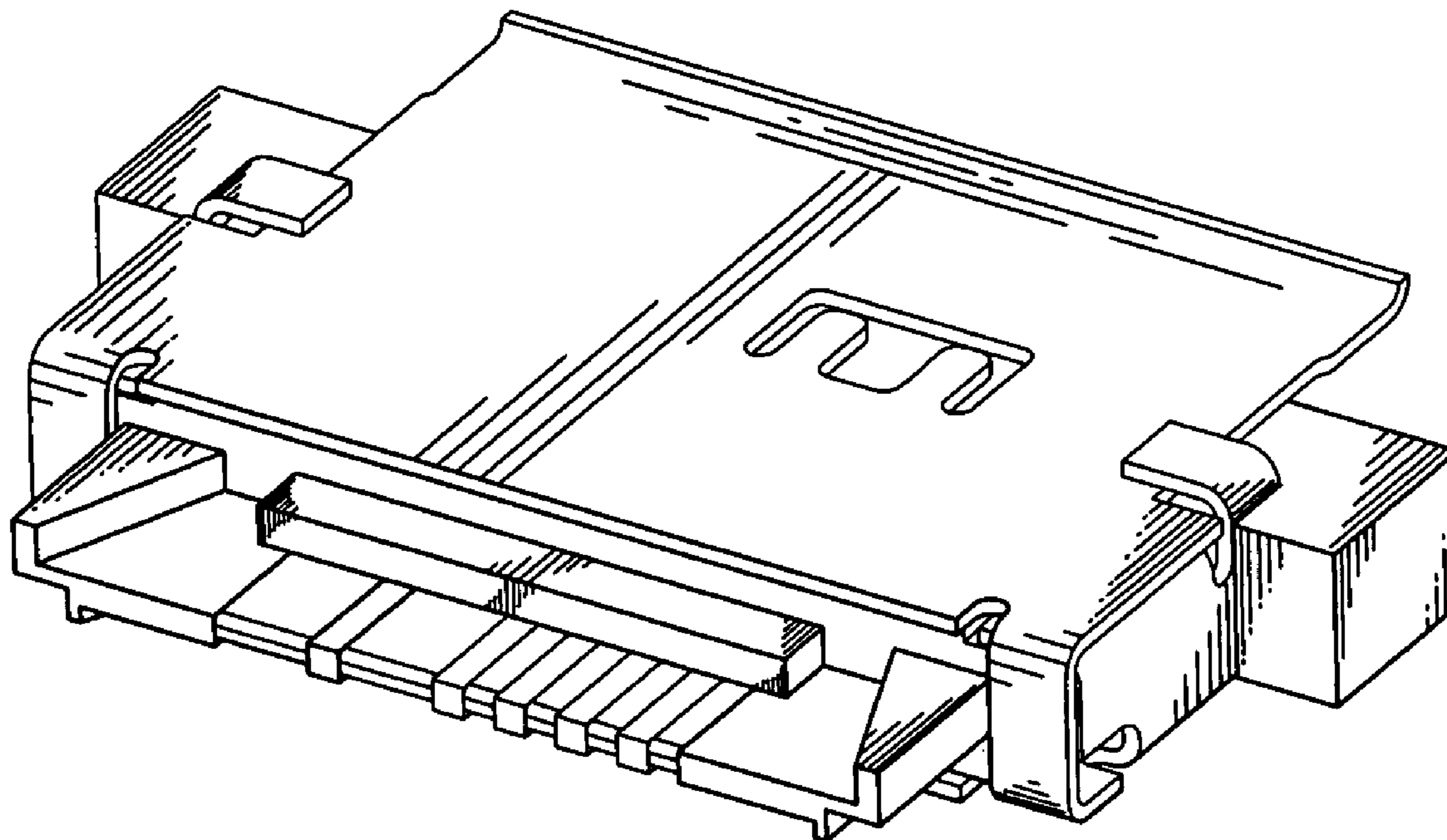
FIG. 8 is another perspective view of the plug connector showing our new design.

(56) **References Cited**

U.S. PATENT DOCUMENTS

D408,360 S * 4/1999 Kosmala D13/147
D415,107 S * 10/1999 Avery et al. D13/147
6,280,217 B1 * 8/2001 Lin 439/260

1 Claim, 8 Drawing Sheets



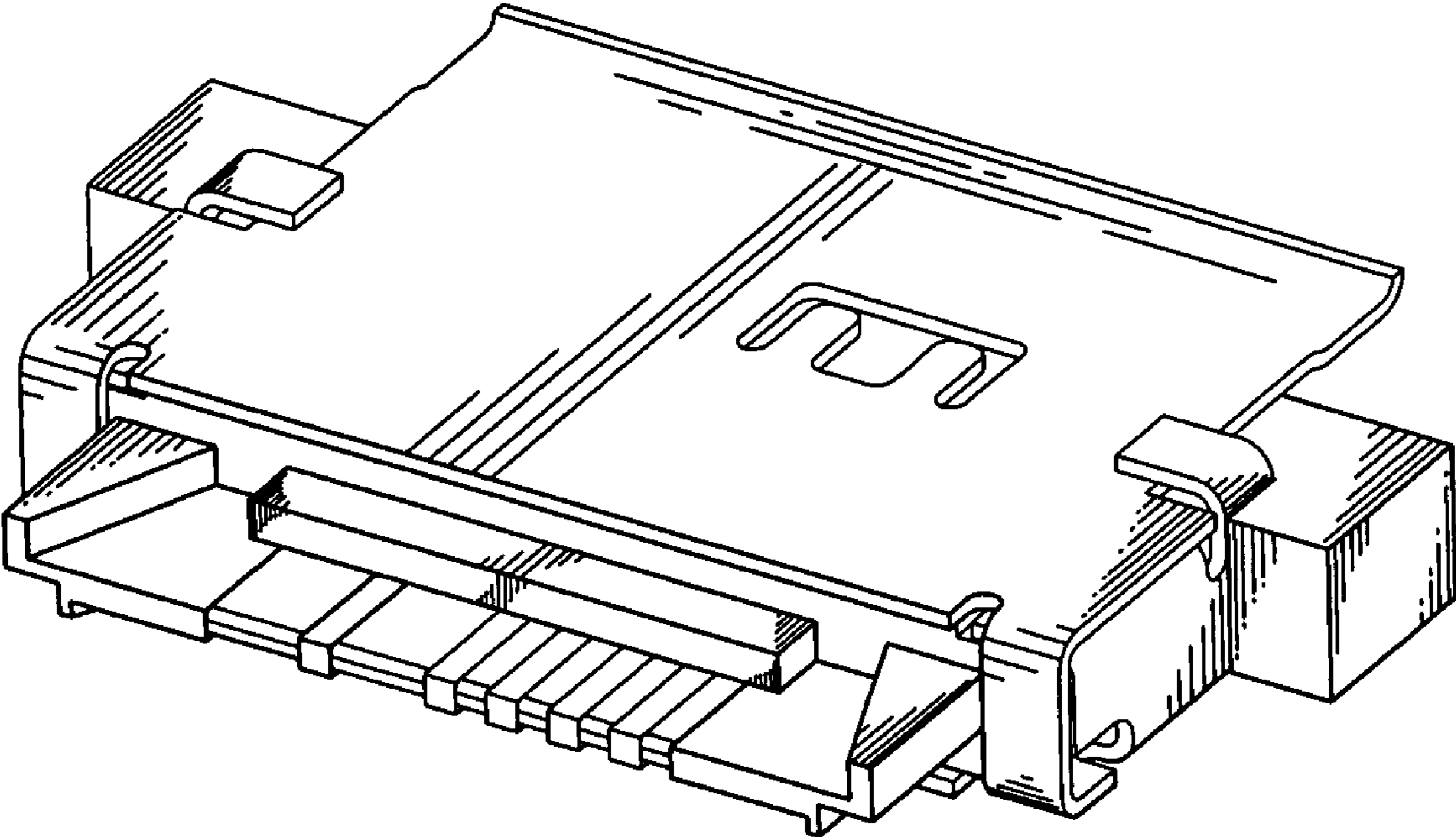


FIG. 1

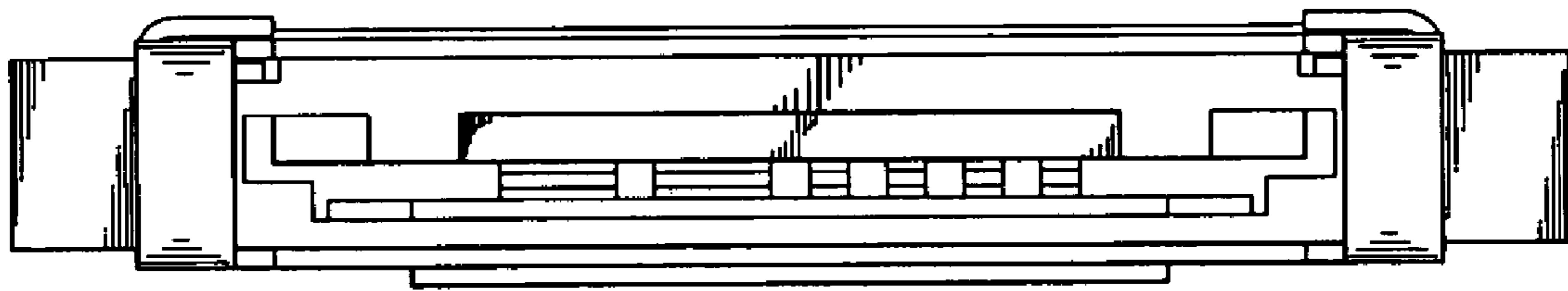


FIG. 2

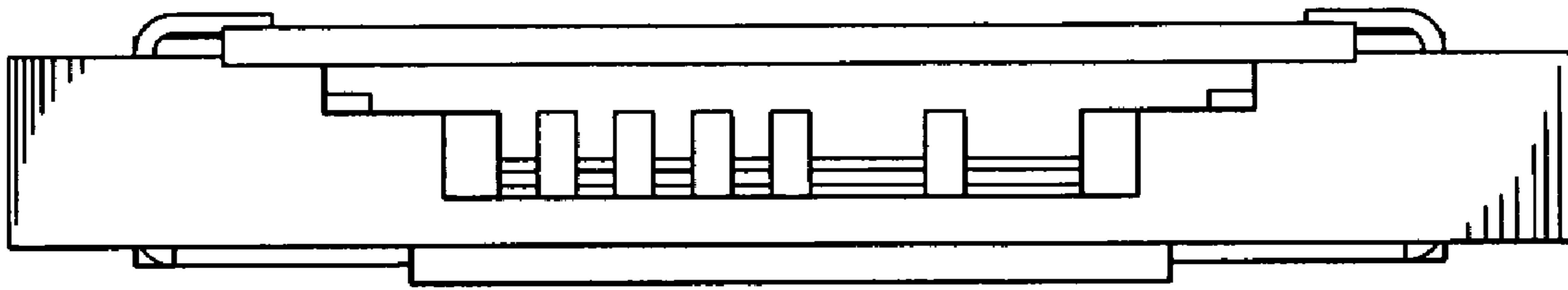


FIG. 3

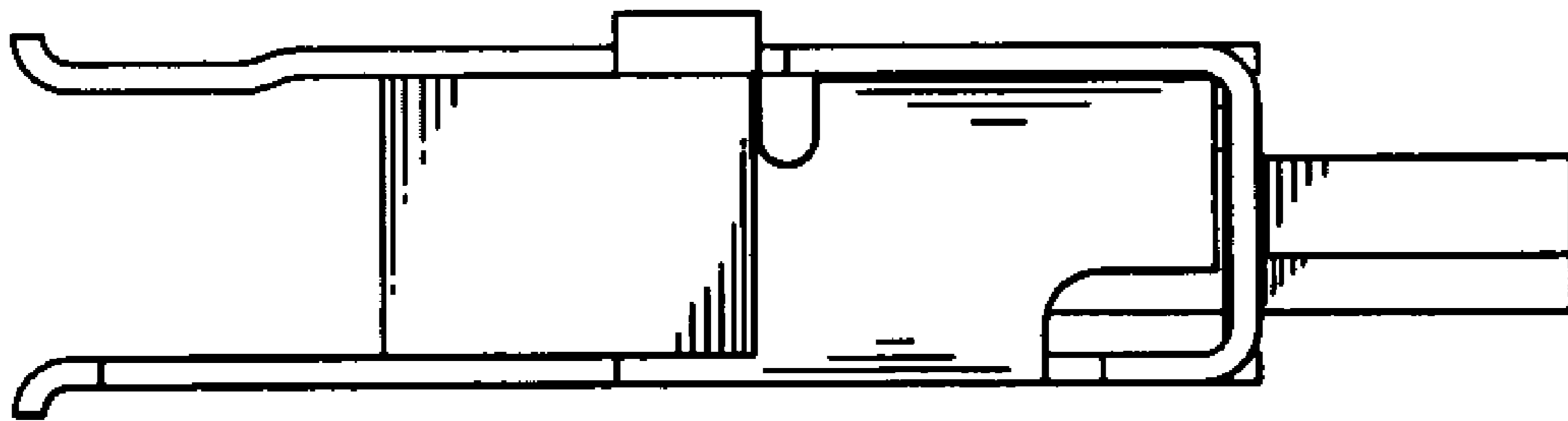


FIG. 4

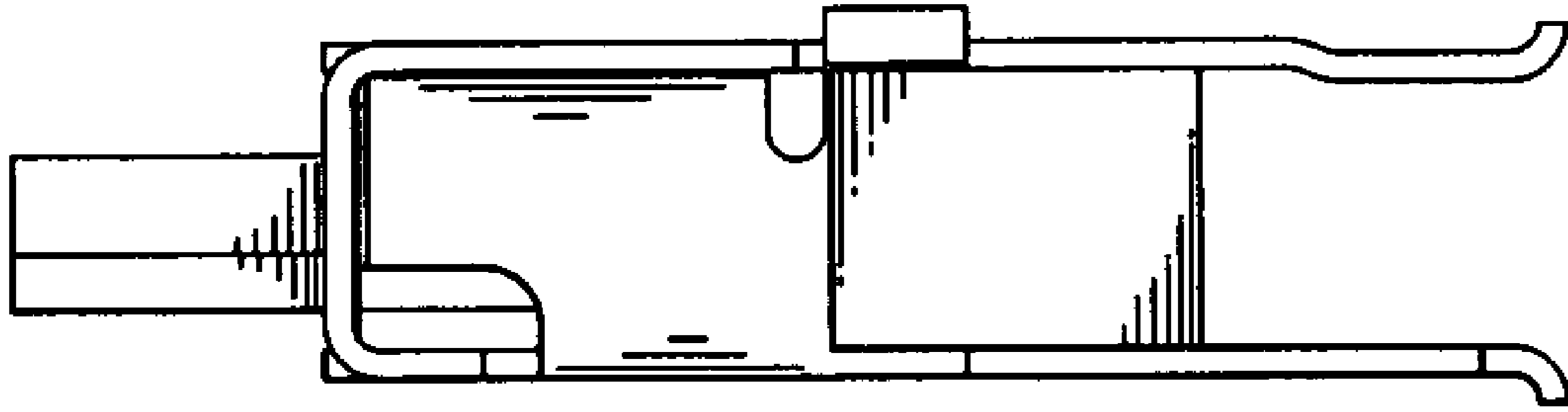


FIG. 5

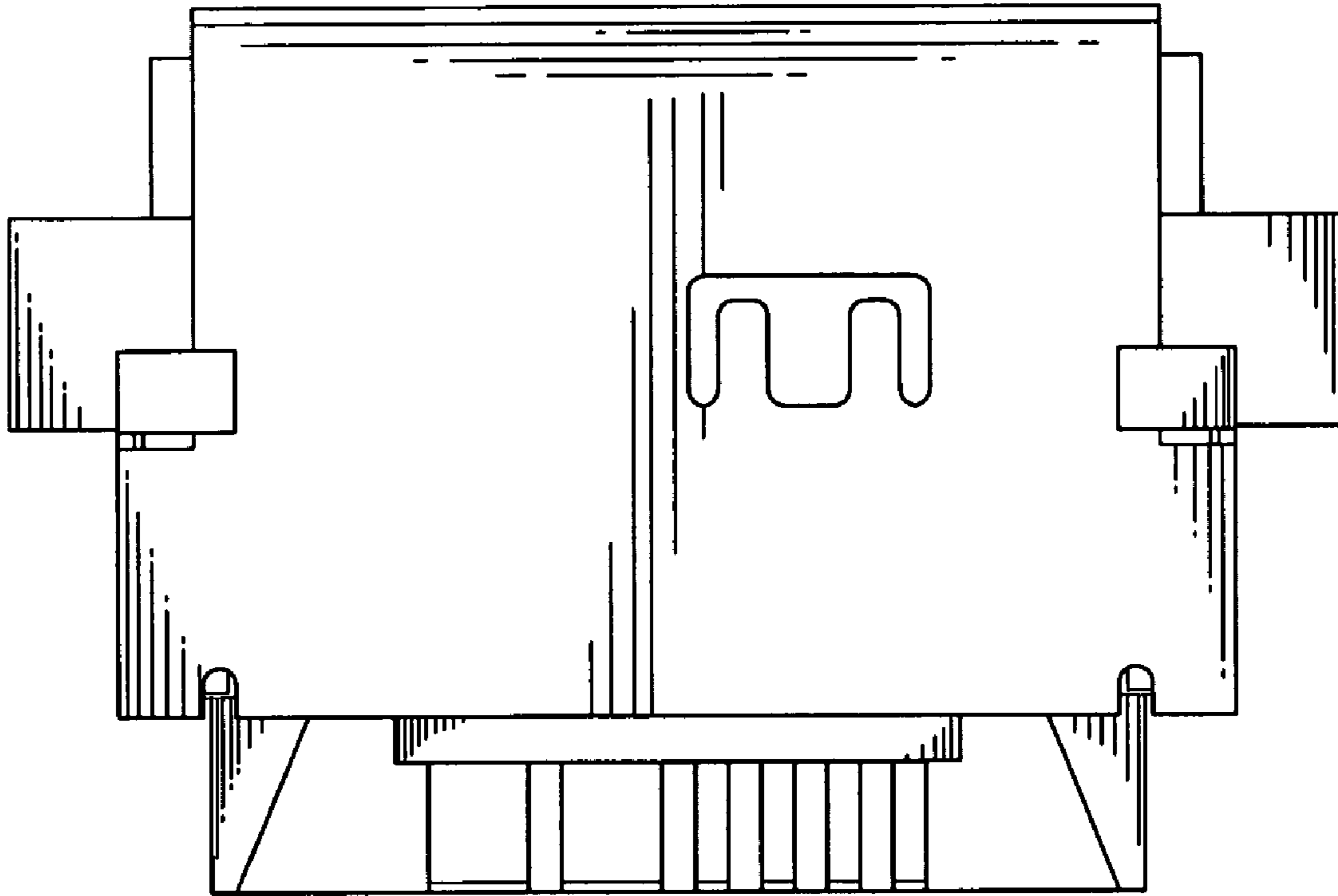


FIG. 6

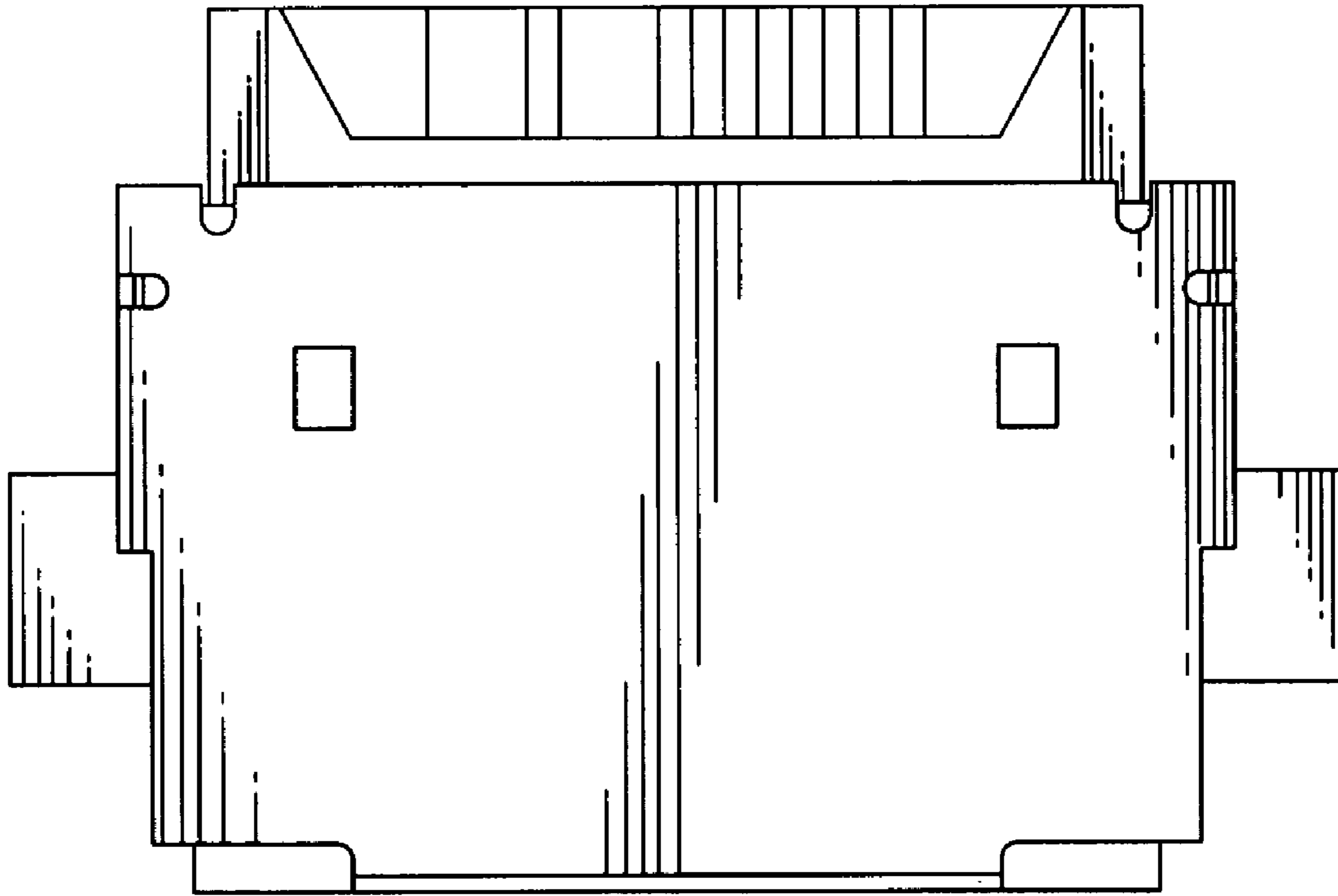


FIG. 7

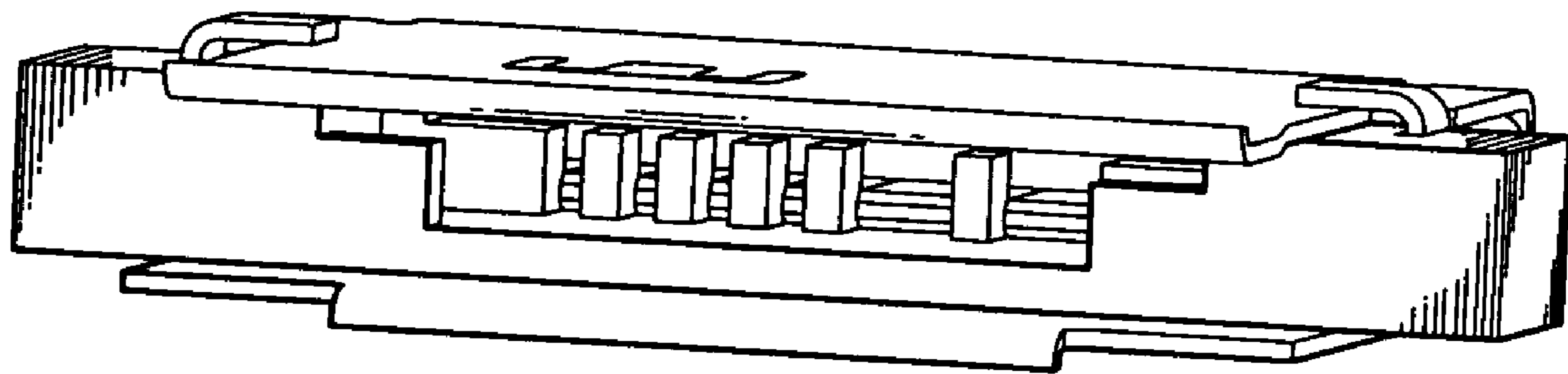


FIG. 8