



US00D593491S

(12) **United States Design Patent**
Liu et al.

(10) **Patent No.:** **US D593,491 S**
(45) **Date of Patent:** **** Jun. 2, 2009**

(54) **FPC CONNECTOR**

(75) Inventors: **Yun Xian Liu**, Tu-Cheng (TW); **Yin Lung Wu**, Tu-Cheng (TW); **Ming Chiang Chen**, Tu-Cheng (TW)

(73) Assignee: **Cheng Uei Precision Industry Co., Ltd.**, Taipei Hsien (TW)

(**) Term: **14 Years**

(21) Appl. No.: **29/309,364**

(22) Filed: **Aug. 4, 2008**

(51) **LOC (9) Cl.** **13-03**

(52) **U.S. Cl.** **D13/133; D13/147**

(58) **Field of Classification Search** D13/133,
D13/146-147, 154, 184; D14/433, 435,
D14/436, 438; 361/684-685; 439/64, 79,
439/159-160, 607-610, 629-630, 660
See application file for complete search history.

(56) **References Cited**

U.S. PATENT DOCUMENTS

6,736,662 B2 * 5/2004 Lin 439/350
D491,535 S * 6/2004 Chien D13/154
D518,773 S * 4/2006 Kurasaki D13/133
D544,842 S * 6/2007 Nishio et al. D13/147

D576,104 S * 9/2008 Kasahara D13/147
D576,954 S * 9/2008 Hsiao D13/147
2008/0176440 A1 * 7/2008 Hu et al. 439/345

* cited by examiner

Primary Examiner—Daniel D Bui

(74) *Attorney, Agent, or Firm*—Rosenberg, Klein & Lee

(57) **CLAIM**

The ornamental design for a FPC connector, as shown and described.

DESCRIPTION

FIG. 1 is a perspective view of a FPC connector showing our new design;

FIG. 2 is a front elevational view thereof;

FIG. 3 is a rear elevational view thereof;

FIG. 4 is a left side elevational view thereof;

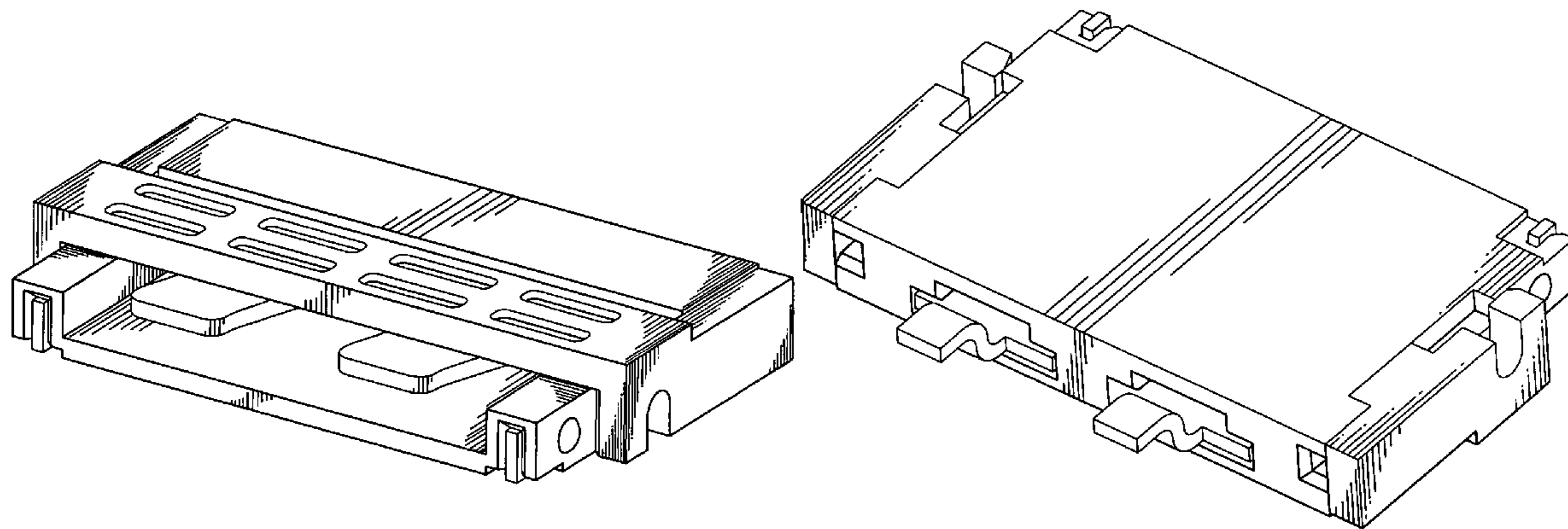
FIG. 5 is a right side elevational view thereof;

FIG. 6 is a top plan view thereof;

FIG. 7 is a bottom plan view thereof; and,

FIG. 8 is another perspective view of the FPC connector showing our new design.

1 Claim, 8 Drawing Sheets



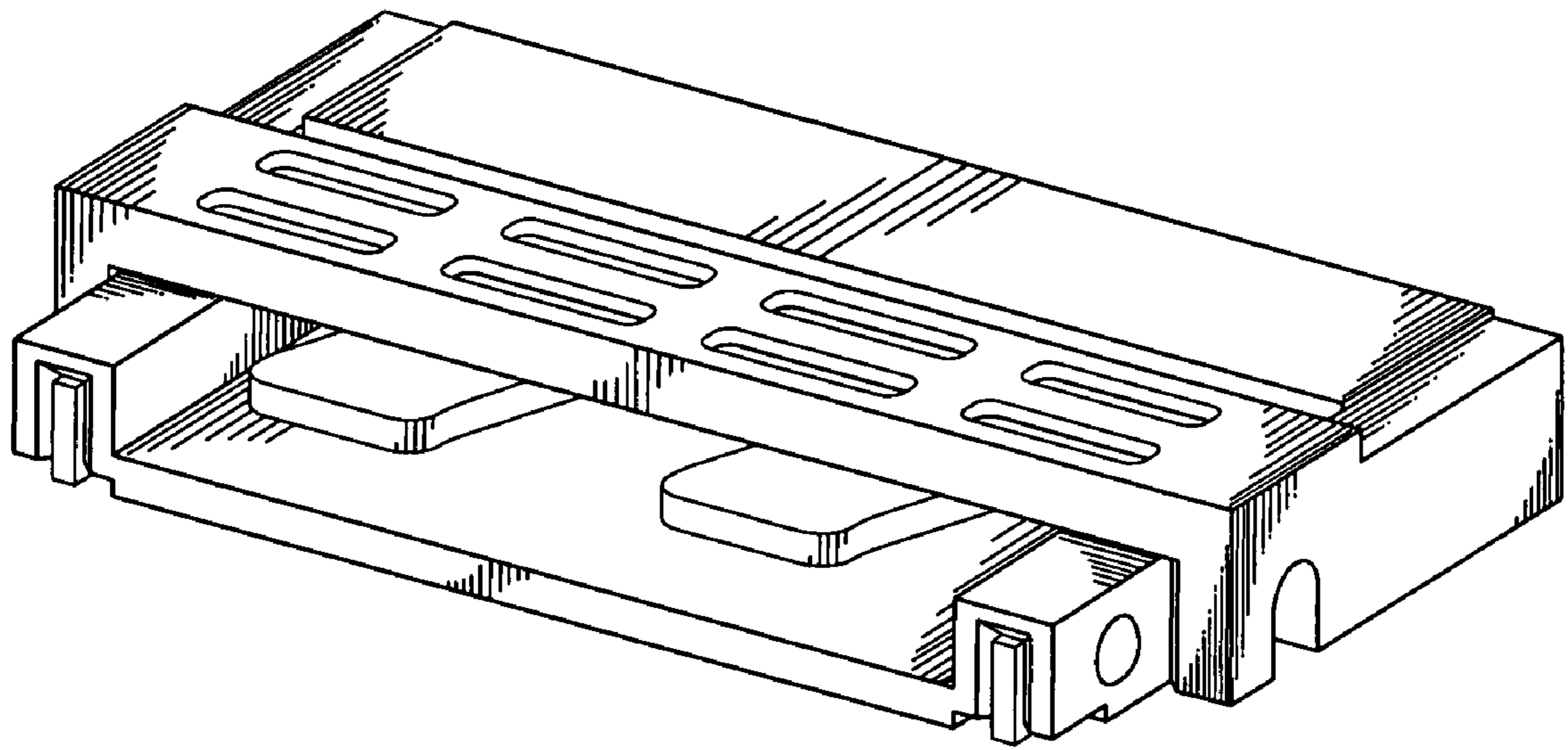


FIG. 1

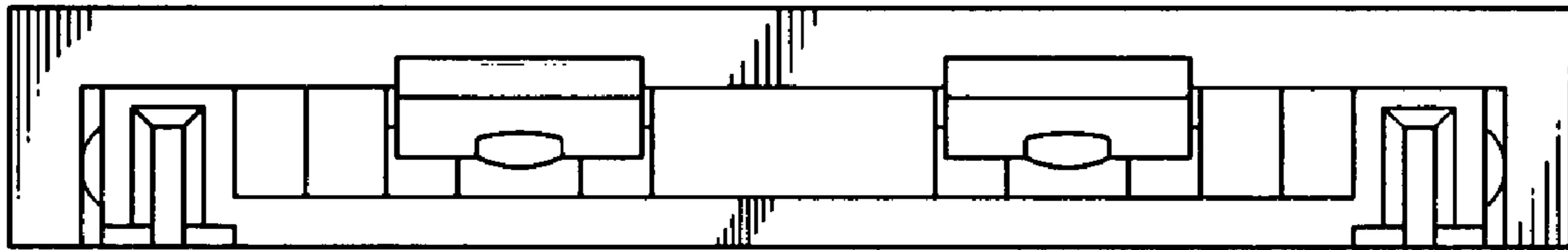


FIG. 2

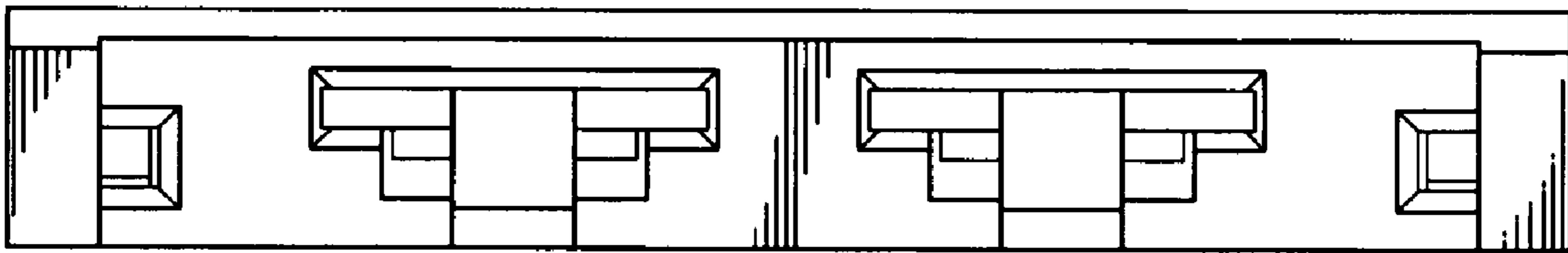


FIG. 3

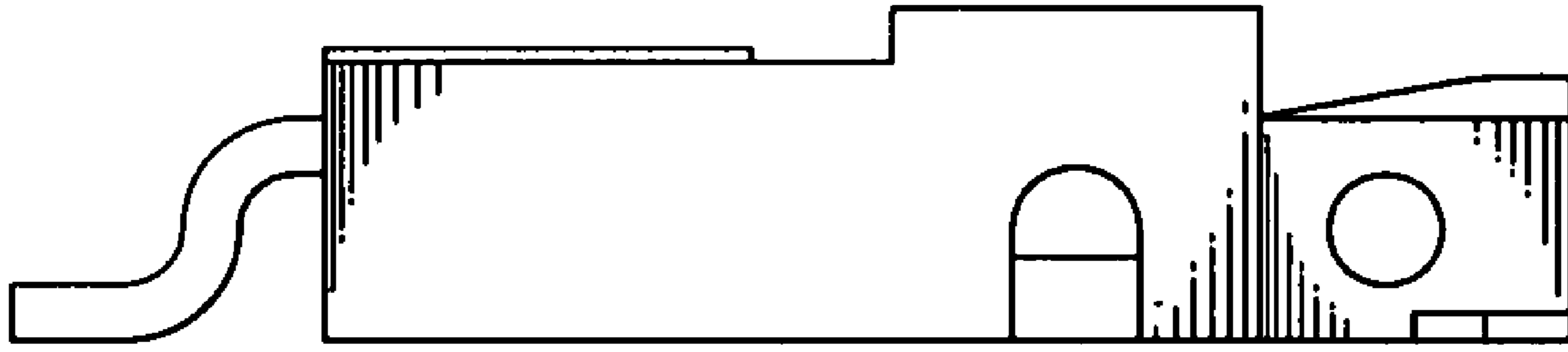


FIG. 4

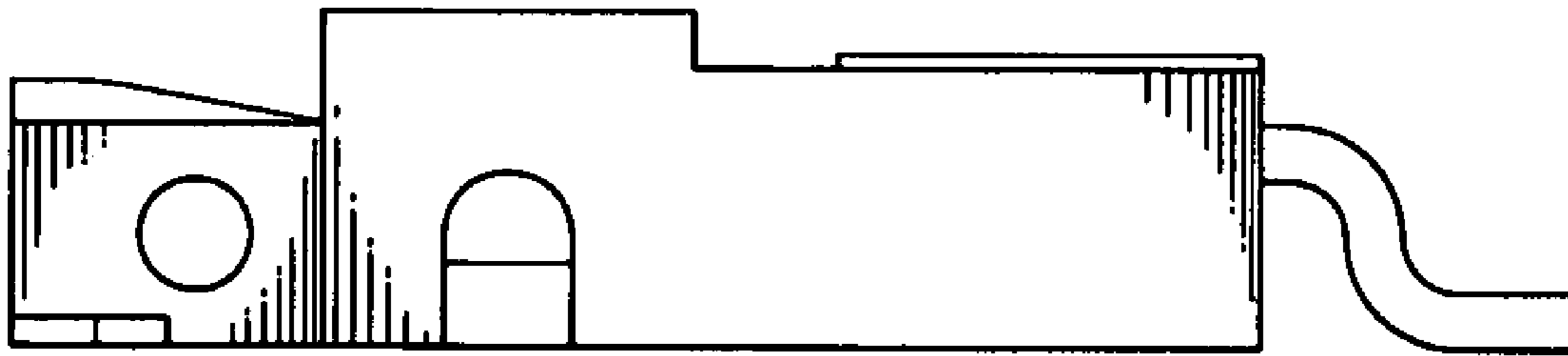


FIG. 5

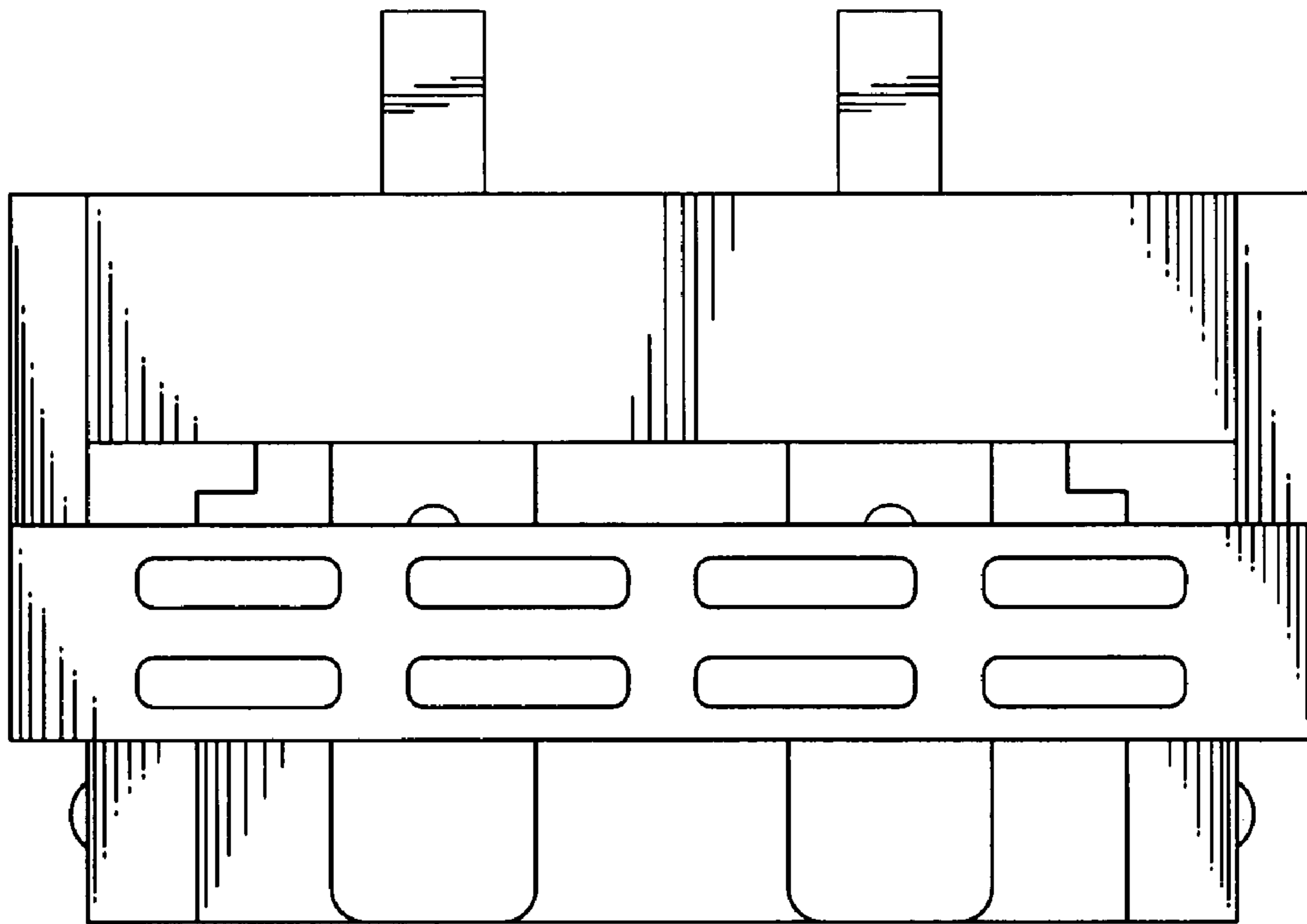


FIG. 6

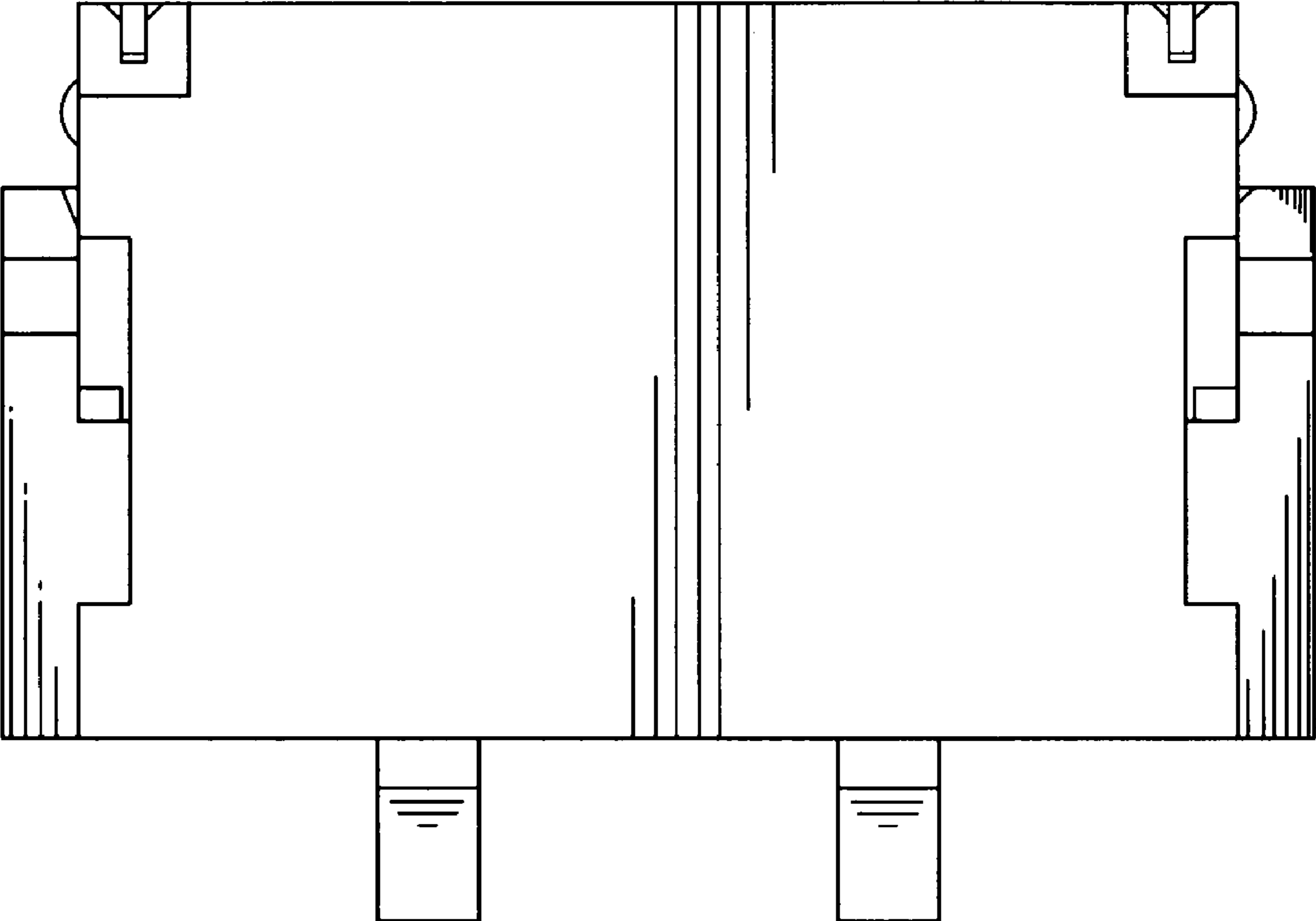


FIG. 7

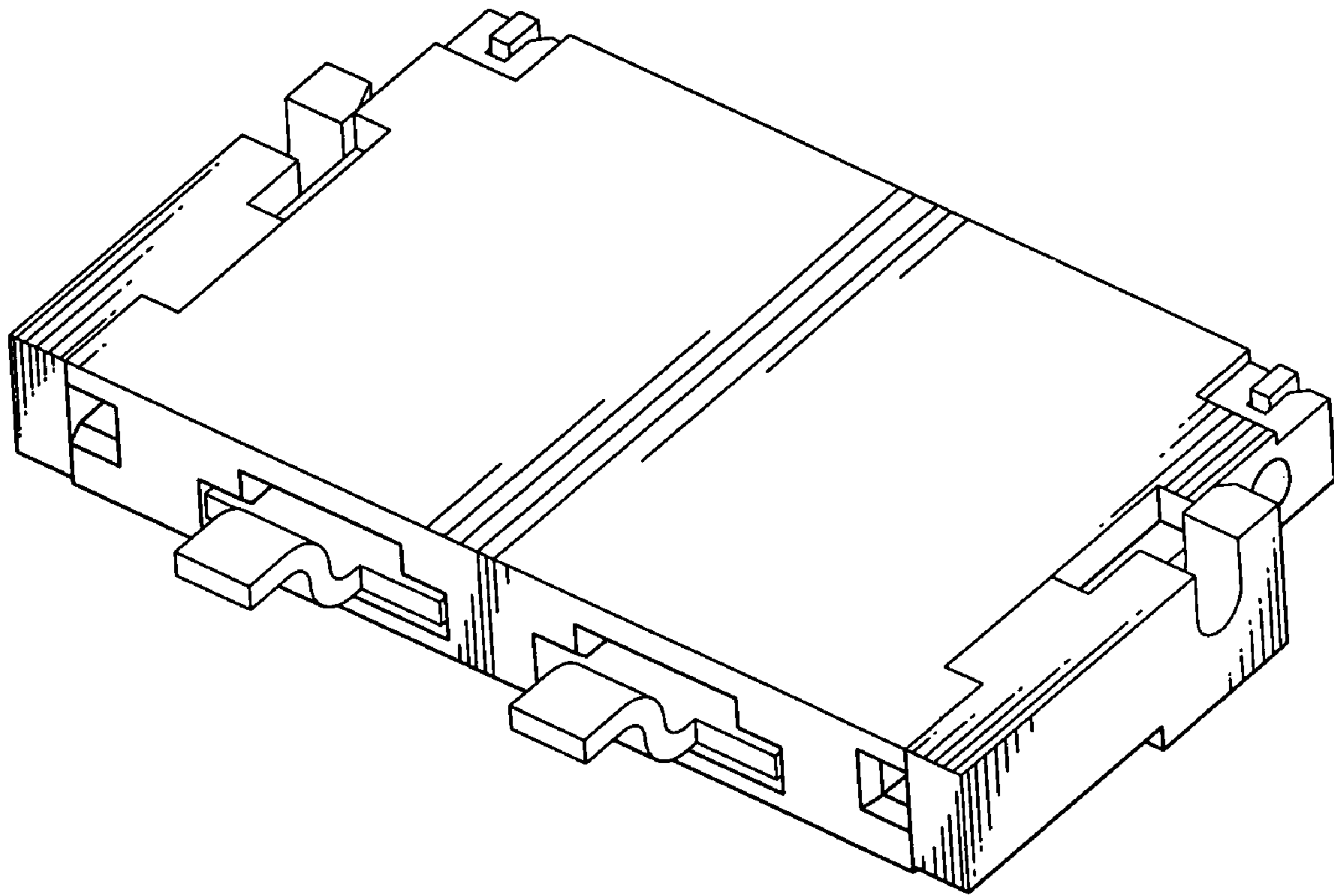


FIG. 8