



US00D593490S

(12) **United States Design Patent**  
**Hung**

(10) **Patent No.:** **US D593,490 S**

(45) **Date of Patent:** **\*\* Jun. 2, 2009**

(54) **BATTERY CONNECTOR**

(75) Inventor: **Pei Chiao Hung**, Tu-Cheng (TW)

(73) Assignee: **Cheng Uei Precision Industry Co., Ltd.**, Taipei Hsien (TW)

(\*\*) Term: **14 Years**

(21) Appl. No.: **29/300,939**

(22) Filed: **Jun. 2, 2008**

(51) **LOC (9) Cl.** ..... **13-02**

(52) **U.S. Cl.** ..... **D13/120**

(58) **Field of Classification Search** ..... D13/120,  
D13/133, 146-147, 184, 199; 439/108, 577,  
439/630, 660, 680, 773, 862

See application file for complete search history.

(56) **References Cited**

**U.S. PATENT DOCUMENTS**

|           |      |         |                      |         |
|-----------|------|---------|----------------------|---------|
| 6,113,440 | A *  | 9/2000  | Fijten et al. ....   | 439/862 |
| D486,448  | S *  | 2/2004  | Watanabe et al. .... | D13/120 |
| 6,951,488 | B2 * | 10/2005 | Hsieh .....          | 439/660 |
| D529,443  | S *  | 10/2006 | Chien .....          | D13/147 |
| D538,228  | S *  | 3/2007  | Wang et al. ....     | D13/146 |
| D557,212  | S *  | 12/2007 | Huang et al. ....    | D13/120 |
| D558,671  | S *  | 1/2008  | Chen .....           | D13/120 |
| D559,181  | S *  | 1/2008  | Yan .....            | D13/120 |
| D561,100  | S *  | 2/2008  | Hsu et al. ....      | D13/120 |

|           |      |        |                   |         |
|-----------|------|--------|-------------------|---------|
| D562,241  | S *  | 2/2008 | Hsu et al. ....   | D13/146 |
| D563,322  | S *  | 3/2008 | Ma .....          | D13/146 |
| 7,390,229 | B2 * | 6/2008 | Huang et al. .... | 439/862 |

\* cited by examiner

*Primary Examiner*—Jennifer Rivard

*Assistant Examiner*—Rosemary K Tarcza

(74) *Attorney, Agent, or Firm*—Rosenberg, Klein & Lee

(57) **CLAIM**

The ornamental design for a battery connector, as shown and described.

**DESCRIPTION**

FIG. 1 is a perspective view of a battery connector showing our new design;

FIG. 2 is a front elevational view thereof;

FIG. 3 is a rear elevational view thereof;

FIG. 4 is a left side elevational view thereof;

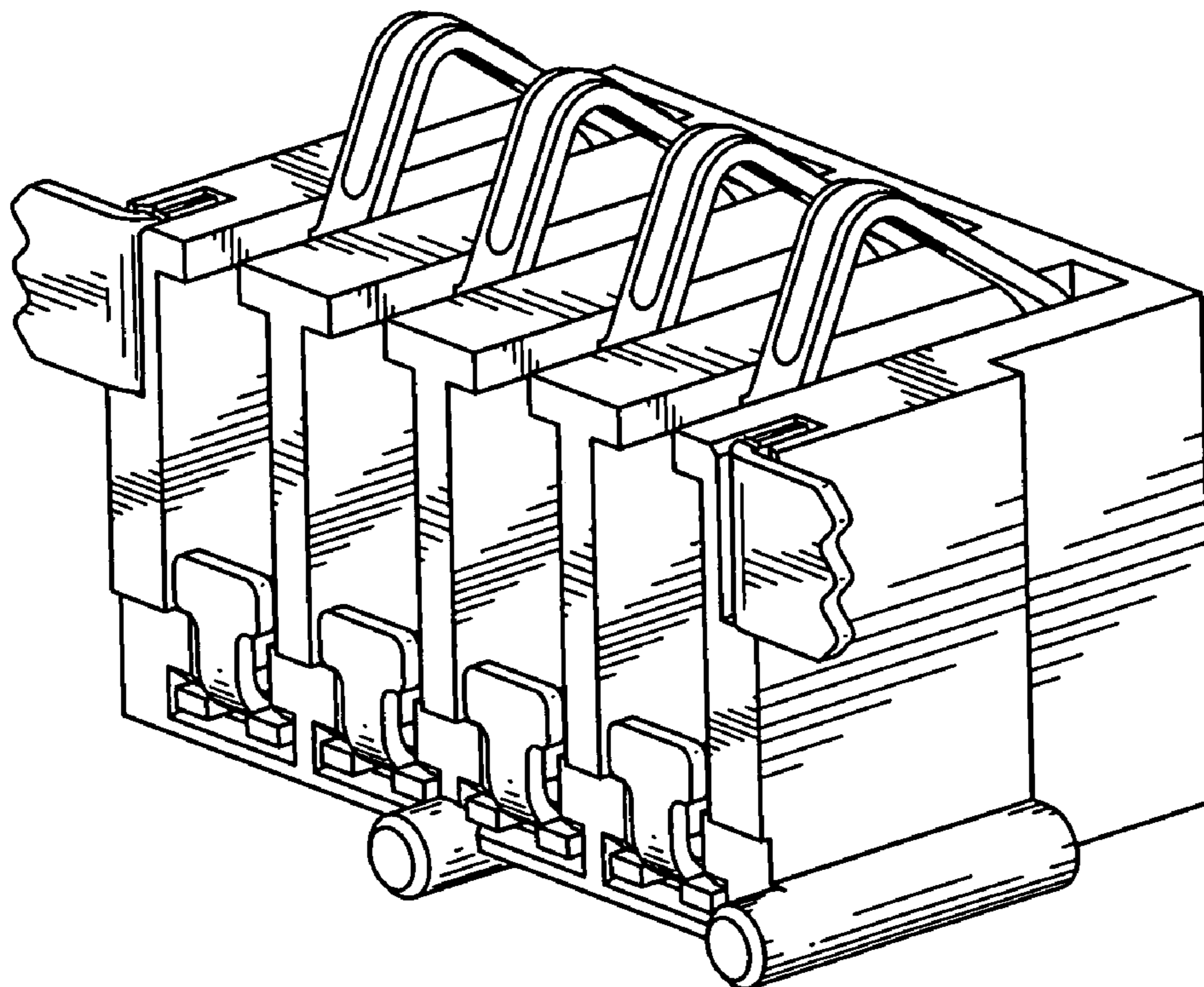
FIG. 5 is a right side elevational view thereof;

FIG. 6 is a top plan view thereof; and,

FIG. 7 is a bottom plan view thereof.

The portions of the battery connector shown in broken lines show unclaimed subject matter only and form no part of the claimed design.

**1 Claim, 7 Drawing Sheets**



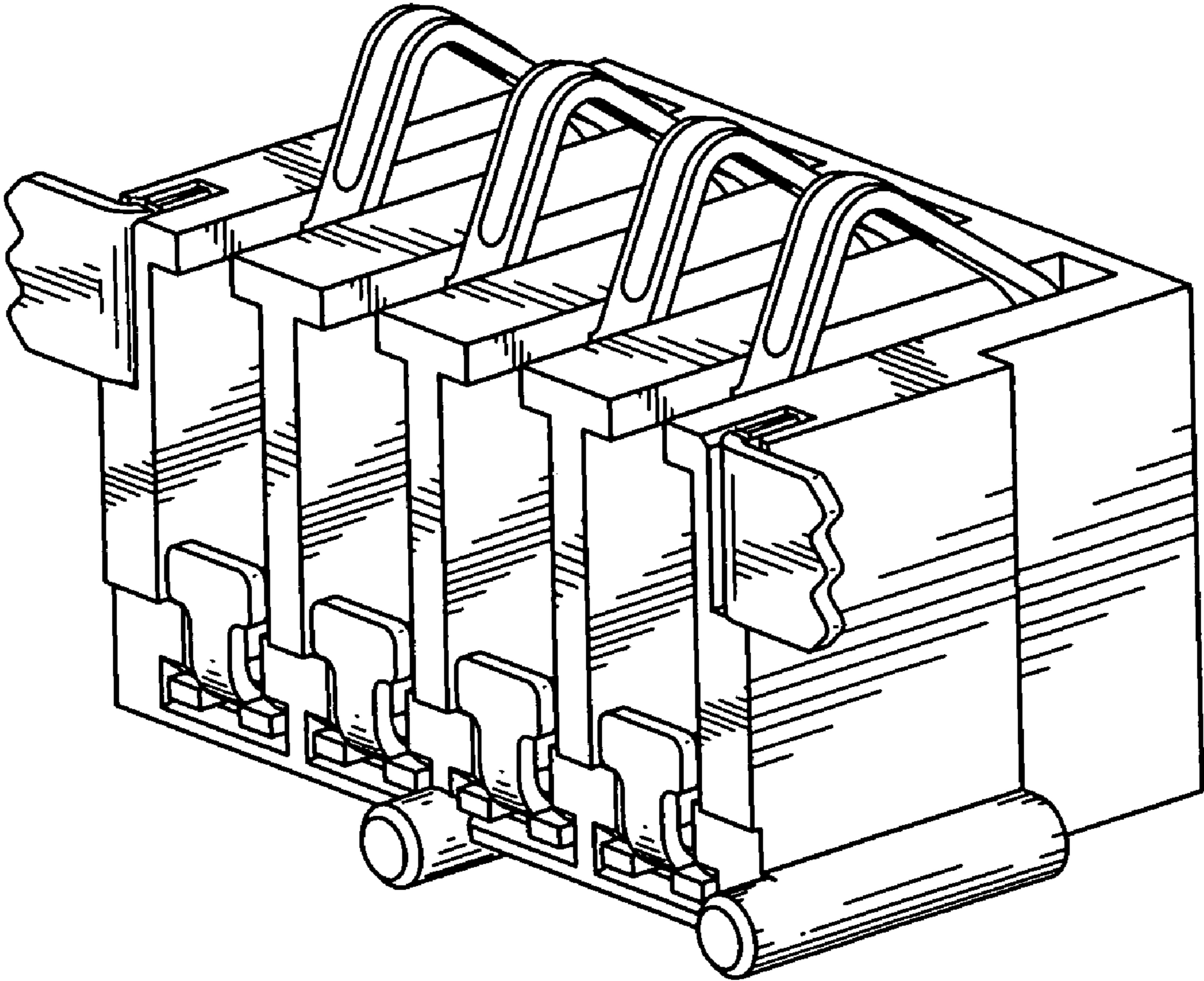


FIG. 1

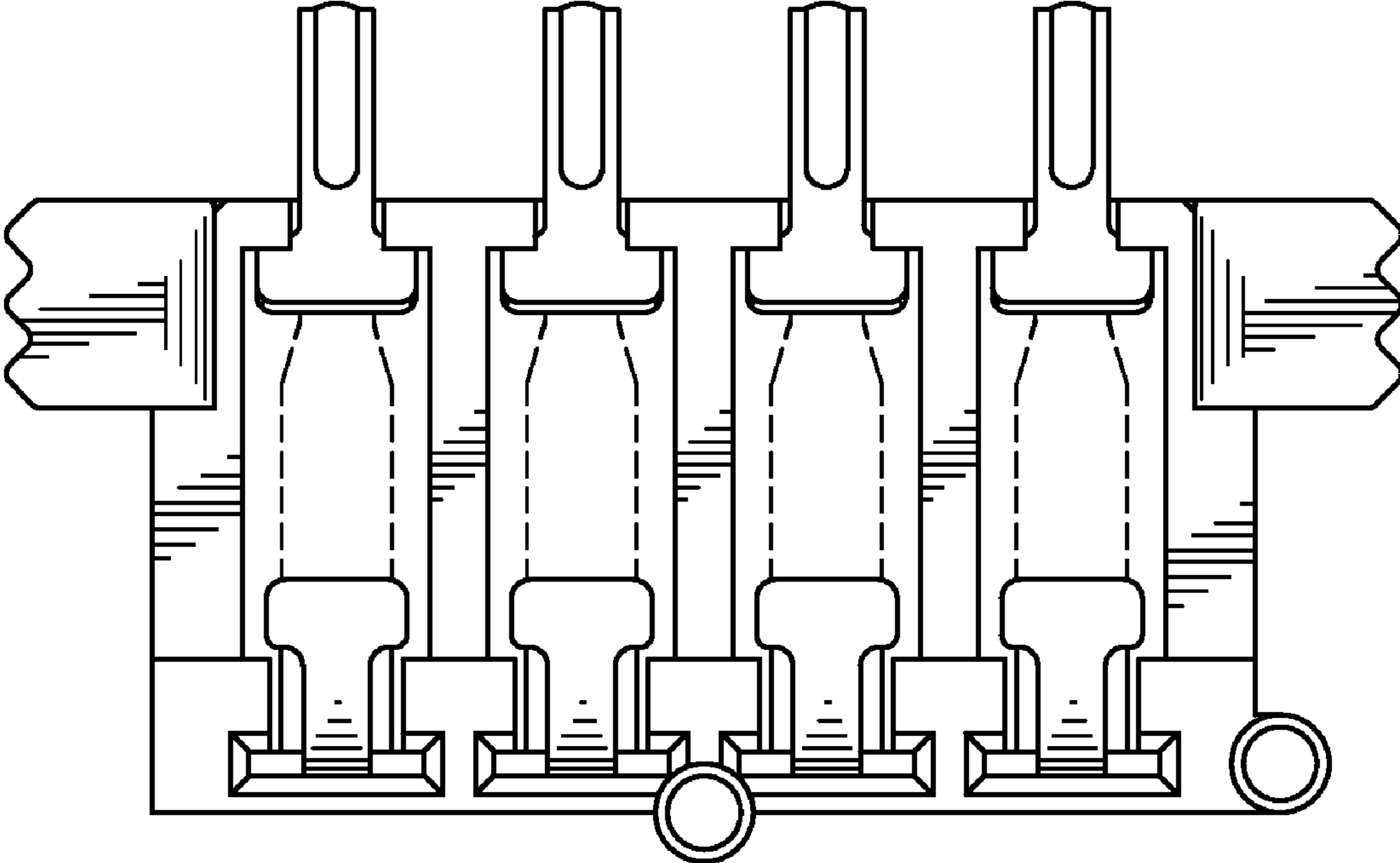


FIG. 2

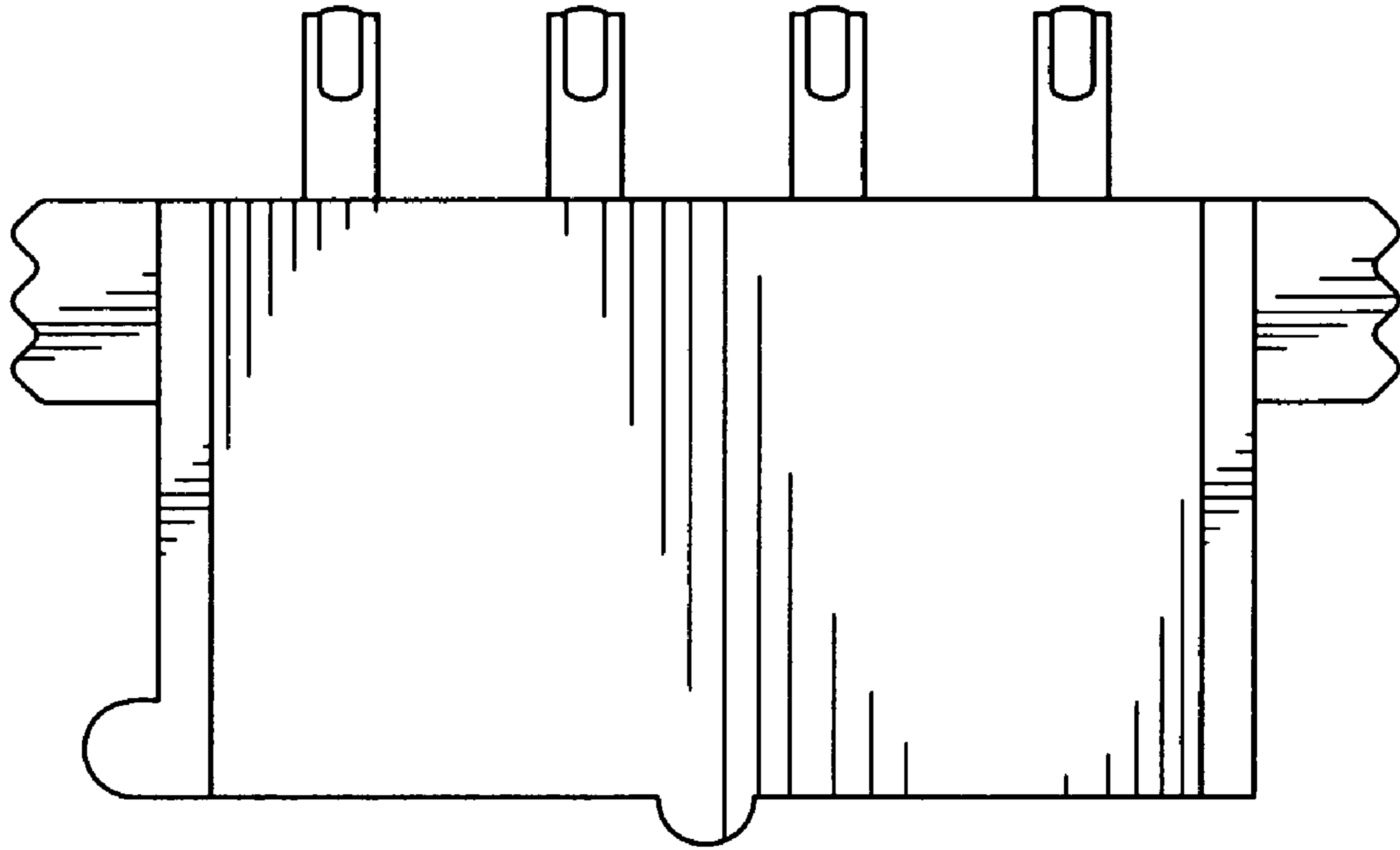


FIG. 3

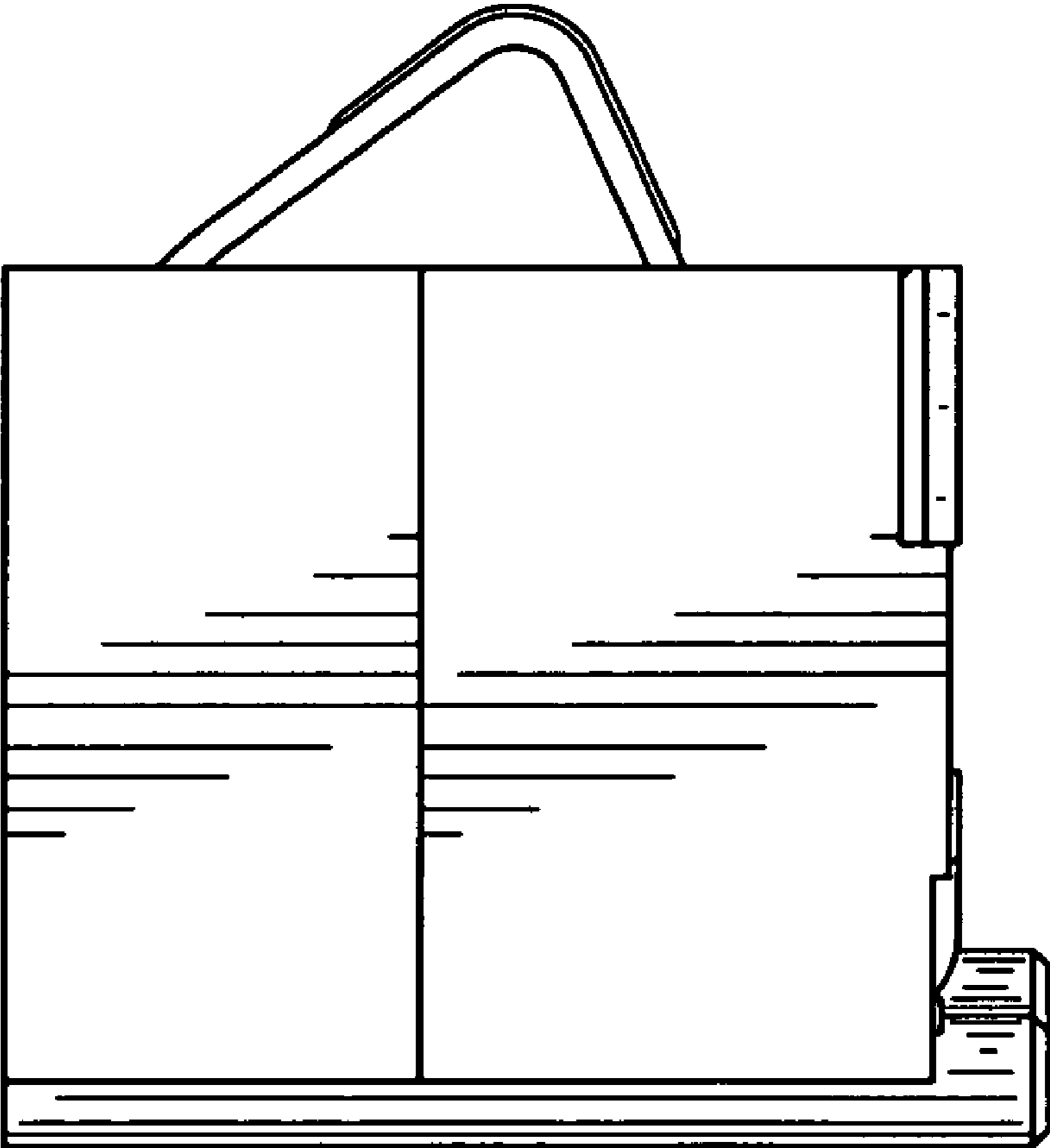


FIG. 4

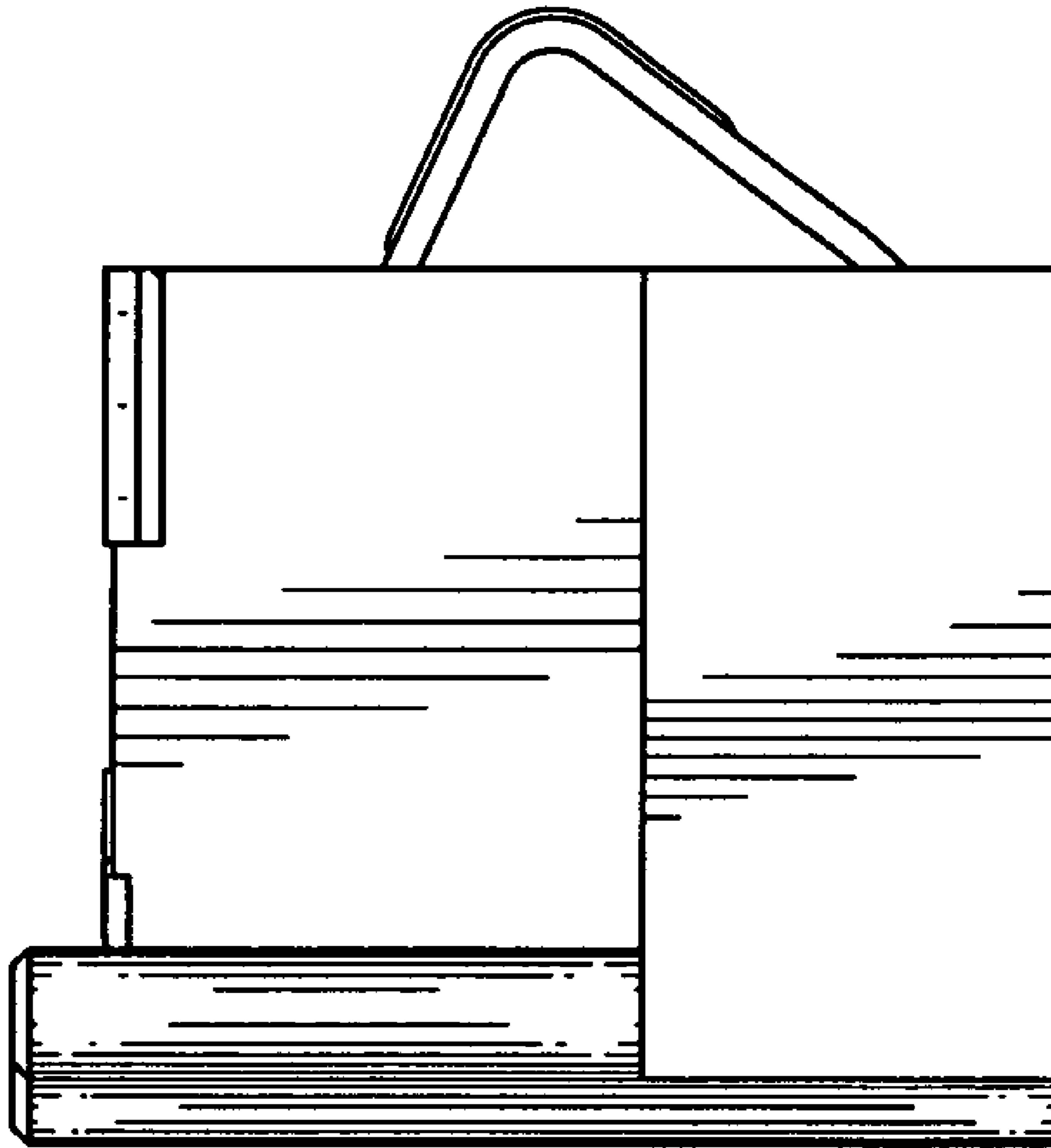


FIG. 5

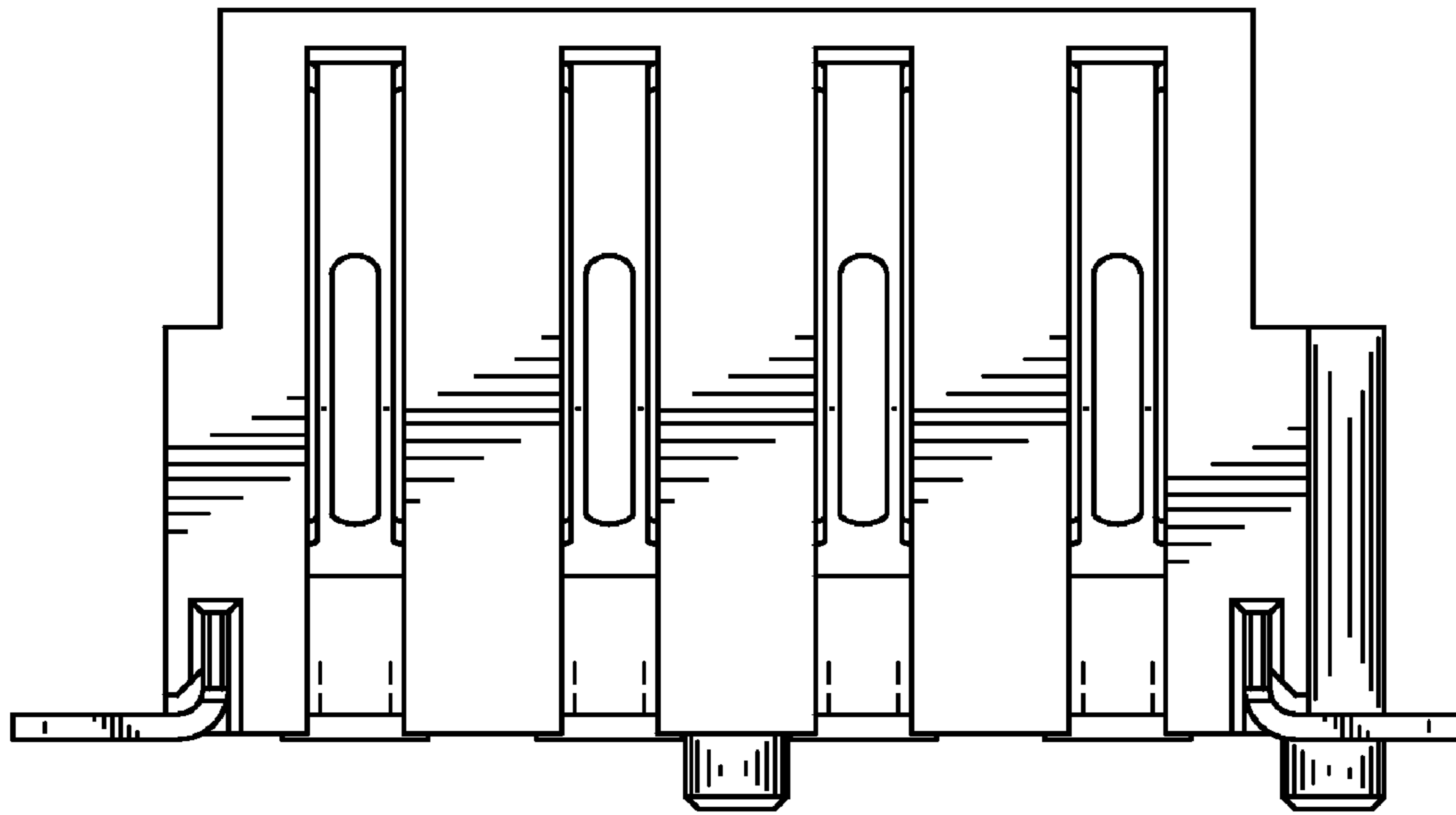


FIG. 6

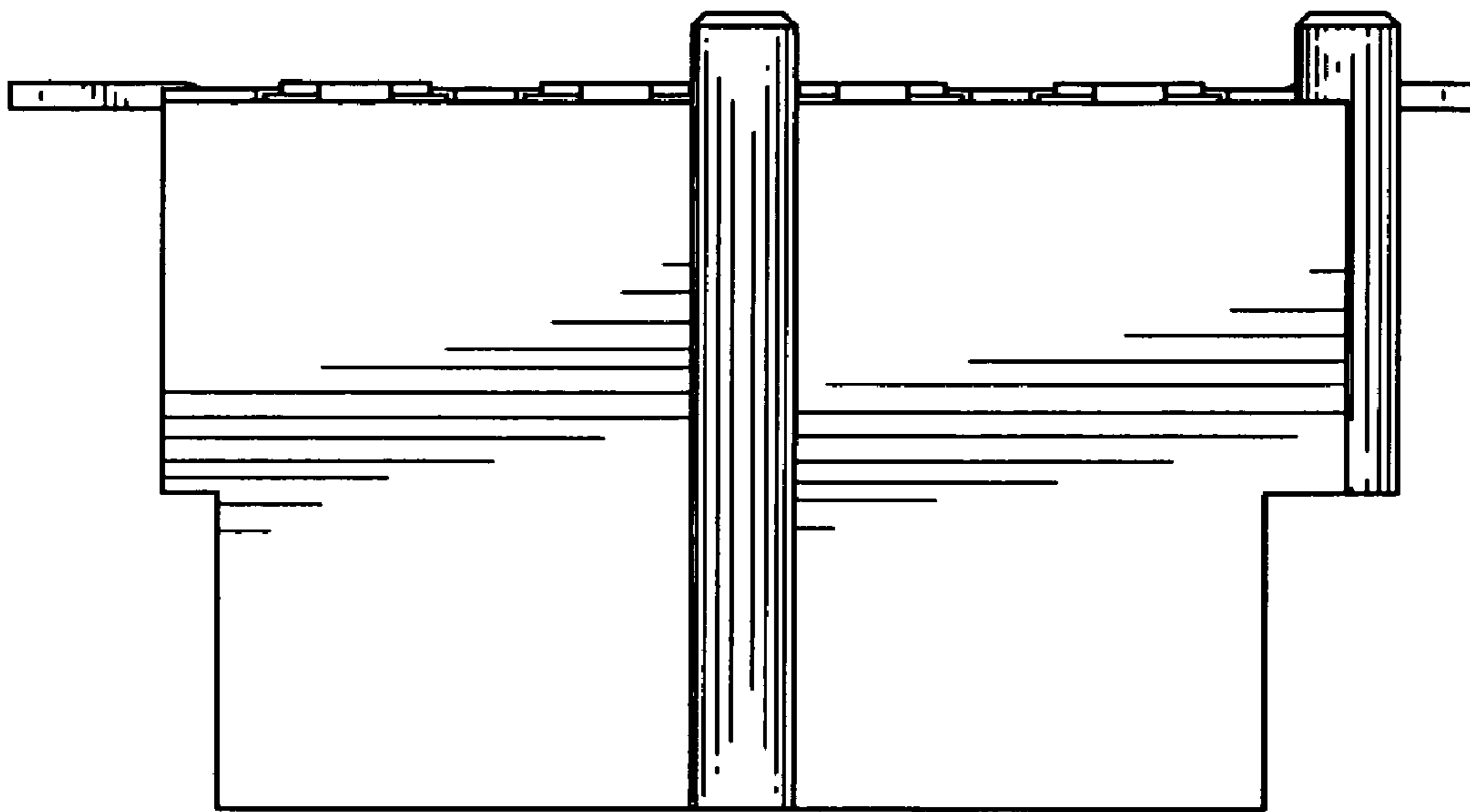


FIG. 7