



US00D593474S

(12) **United States Design Patent**  
**Flueckiger**

(10) **Patent No.:** **US D593,474 S**

(45) **Date of Patent:** **\*\* Jun. 2, 2009**

(54) **FRONT FACE OF A VEHICLE WHEEL**

D523,799 S \* 6/2006 Ianniello ..... D12/209

D531,951 S \* 11/2006 Khan ..... D12/211

D553,069 S \* 10/2007 Ettensberger ..... D12/211

(75) Inventor: **Toni Flueckiger**, Haerkingen (CH)

\* cited by examiner

(73) Assignee: **Daimler AG**, Stuttgart (DE)

*Primary Examiner*—Elizabeth A Albert

*Assistant Examiner*—Kelley A Donnelly

(\*\*) Term: **14 Years**

(74) *Attorney, Agent, or Firm*—Crowell & Moring LLP

(21) Appl. No.: **29/300,284**

(57) **CLAIM**

(22) Filed: **Mar. 7, 2008**

The ornamental design for a front face of a vehicle wheel, as shown and described.

(30) **Foreign Application Priority Data**

**DESCRIPTION**

Sep. 10, 2007 (EM) ..... 000786918

(51) **LOC (9) Cl.** ..... **12-16**

FIG. 1 is a front view of a first embodiment of a front face of a vehicle wheel according to my design; and

(52) **U.S. Cl.** ..... **D12/209**

FIG. 2 is a perspective view thereof.

(58) **Field of Classification Search** ..... D12/204–213;  
301/37.101, 64.101, 65

FIG. 3 is a front view of a second embodiment of a front face of a vehicle wheel according to my design; and,

See application file for complete search history.

FIG. 4 is a perspective view thereof.

(56) **References Cited**

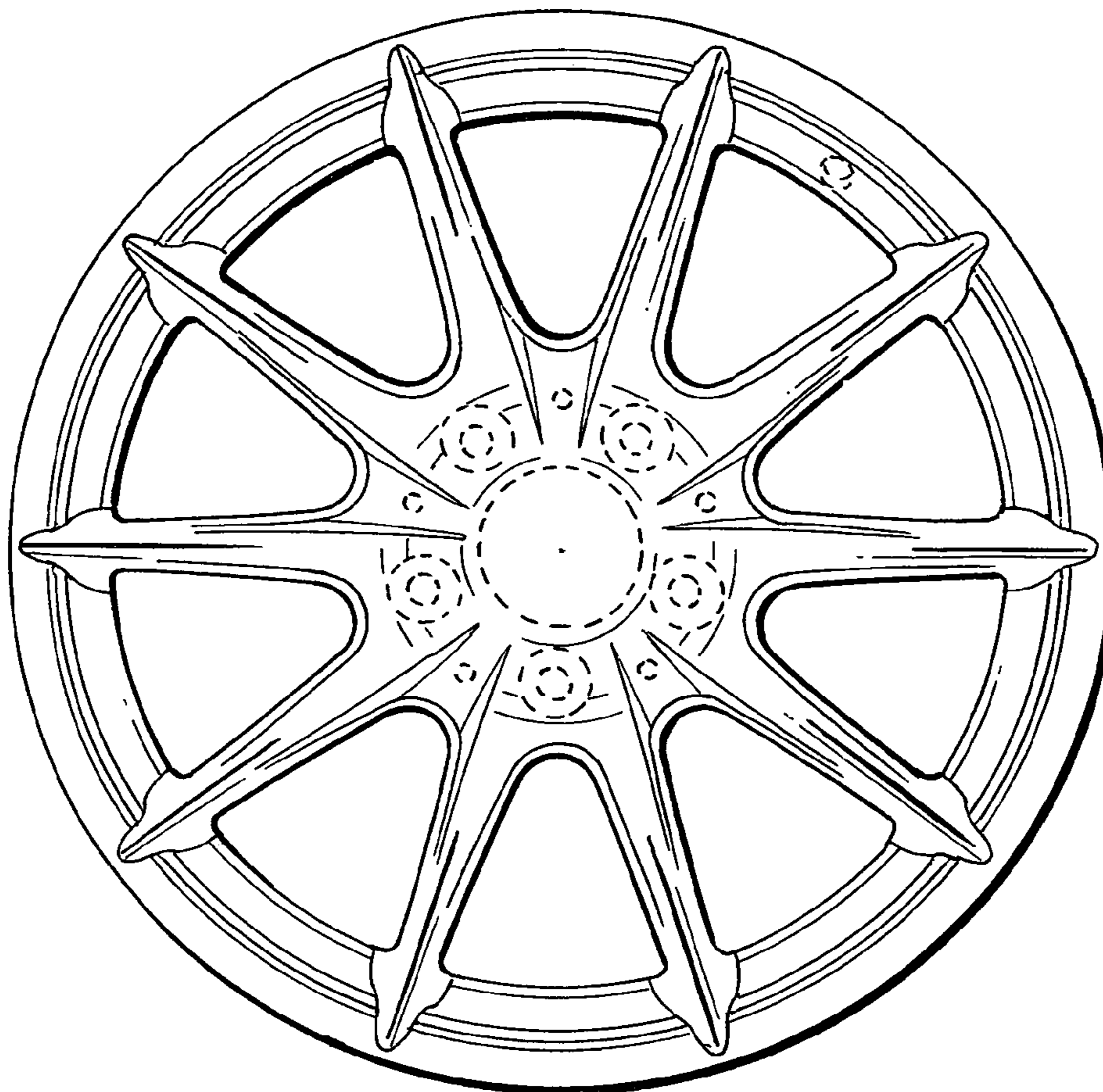
The broken lines are for environmental purposes only and form no part of the claimed design.

**U.S. PATENT DOCUMENTS**

D453,494 S \* 2/2002 Brown et al. .... D12/211

D471,503 S \* 3/2003 Baumgartner ..... D12/211

**1 Claim, 2 Drawing Sheets**



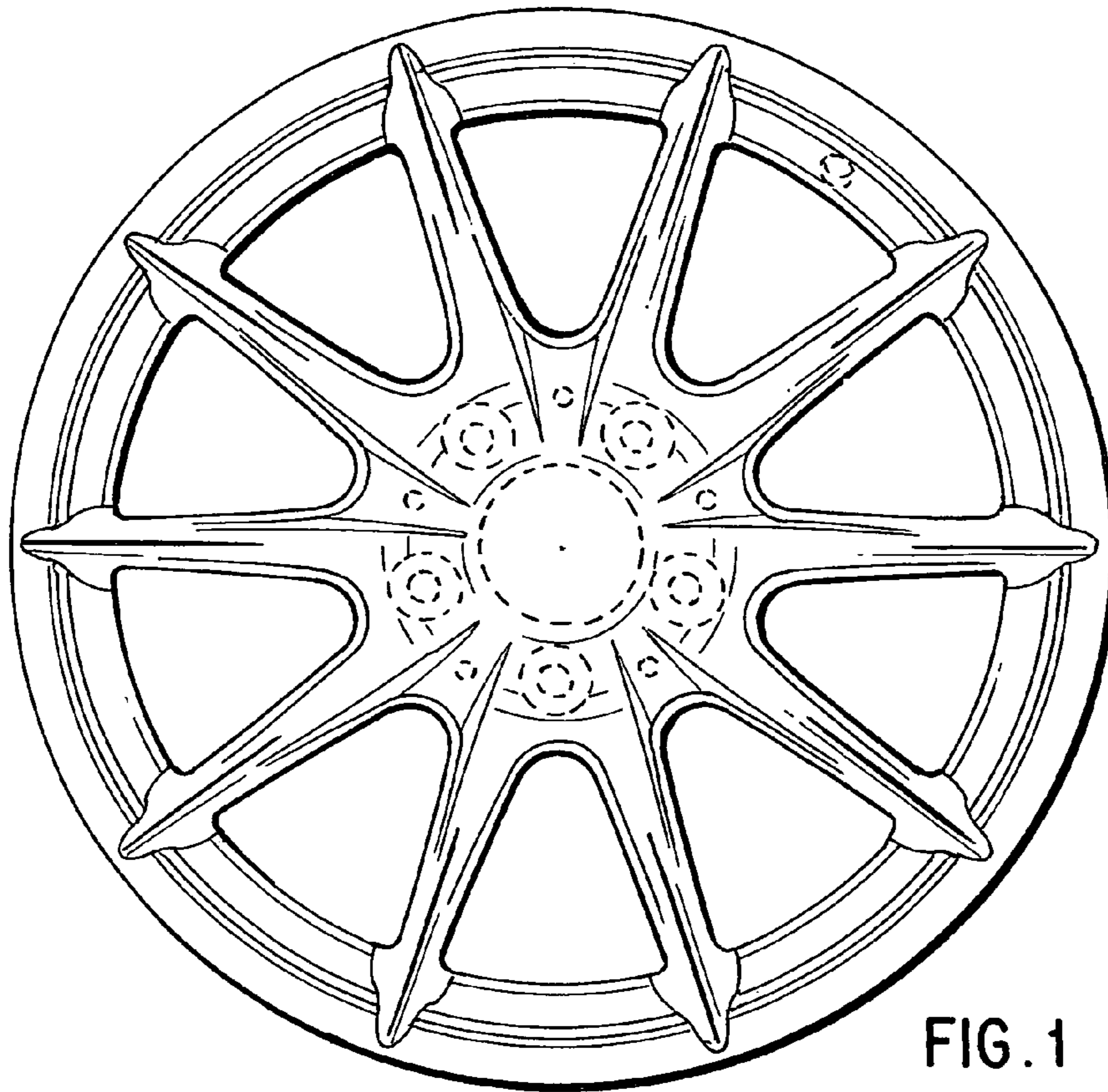


FIG. 1

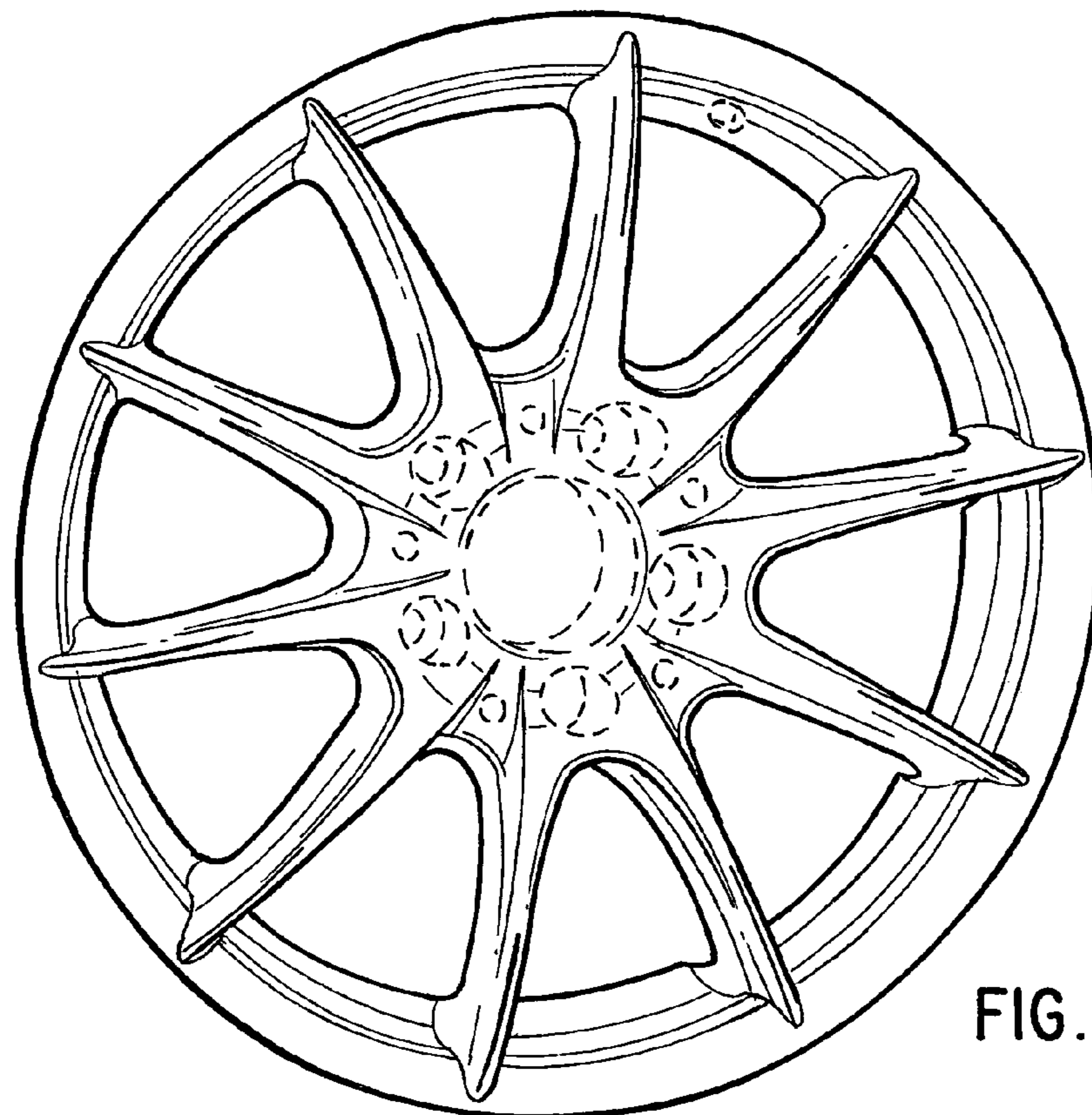


FIG. 2

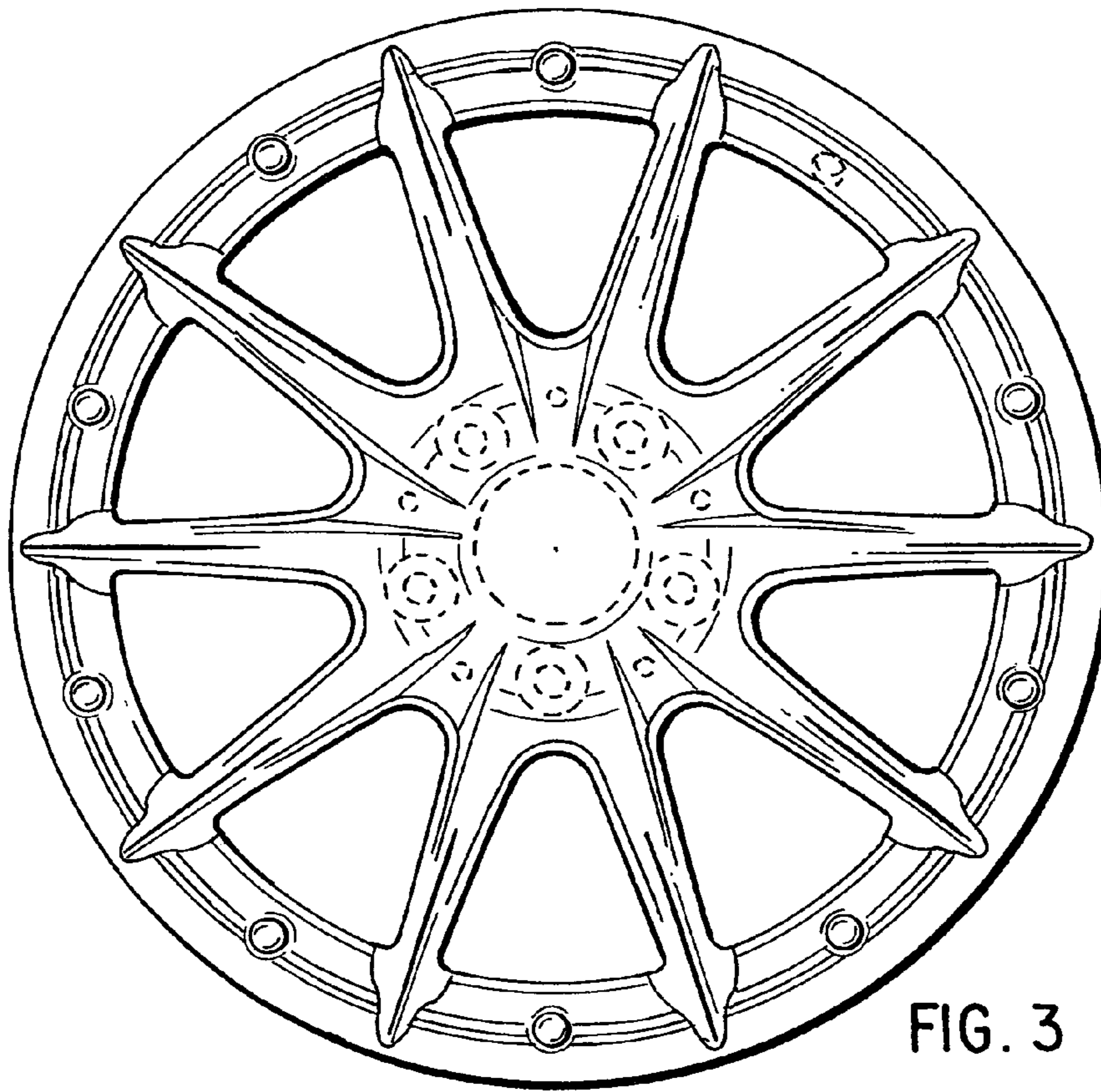


FIG. 3

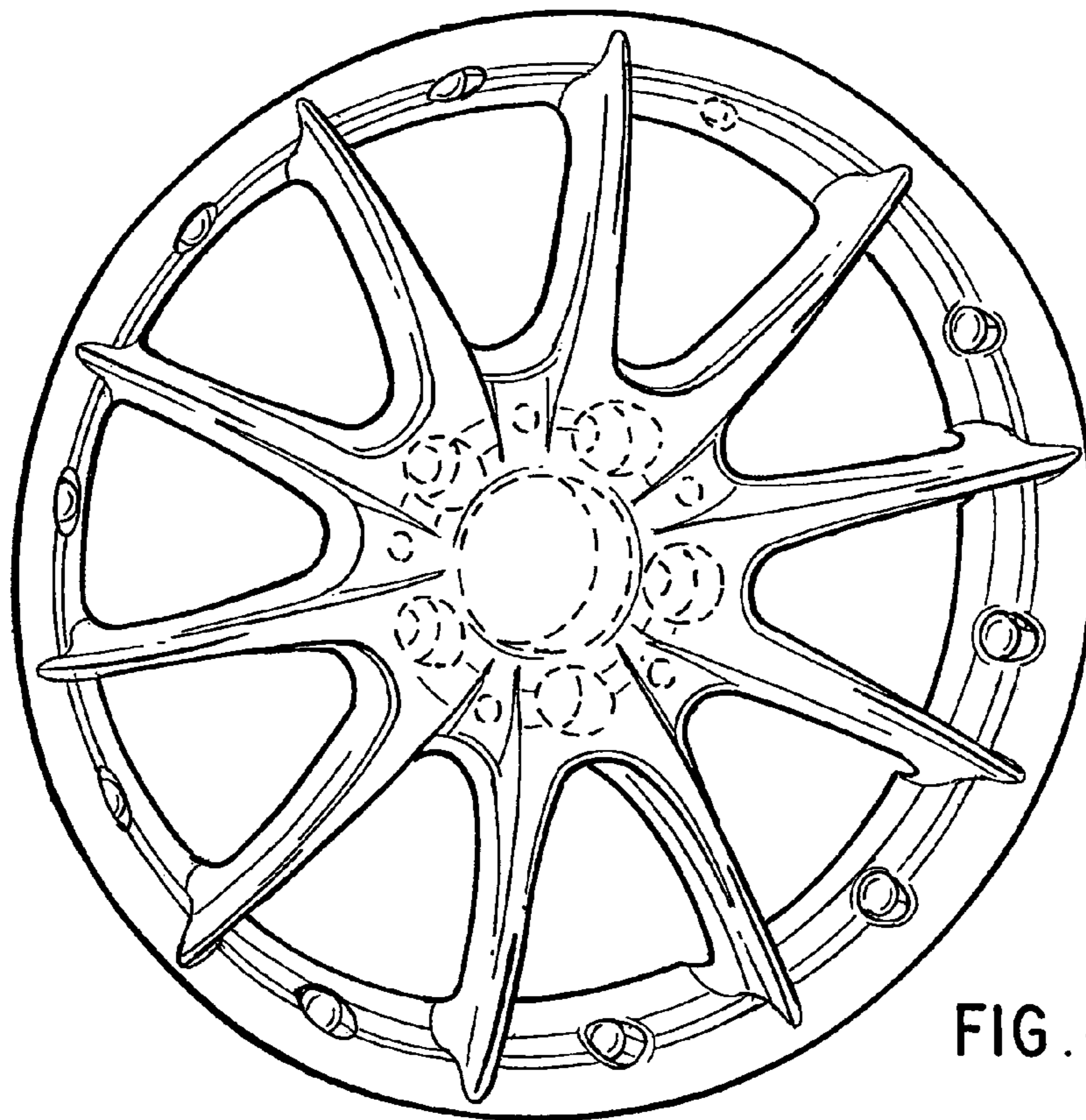


FIG. 4