



US00D593472S

(12) **United States Design Patent**
Coletti

(10) **Patent No.:** **US D593,472 S**
(45) **Date of Patent:** **** Jun. 2, 2009**

(54) **STEP FOR PICKUP TRUCK TAILGATE**

(76) Inventor: **Donn K. Coletti**, 2588 Andover Dr.,
Atlanta, GA (US) 30360

(**) Term: **14 Years**

(21) Appl. No.: **29/313,035**

(22) Filed: **Dec. 2, 2008**

Related U.S. Application Data

(63) Continuation-in-part of application No. 29/310,344,
filed on Aug. 11, 2008, now Pat. No. Des. 585,350.

(51) **LOC (9) Cl.** **12-16**

(52) **U.S. Cl.** **D12/203**

(58) **Field of Classification Search** D12/203;
D25/62, 63, 69; 182/90, 92, 150, 96, 127,
182/88; 280/163, 165, 164.1, 164.2, 166;
296/62, 57.1; 293/117; 105/430, 487, 449
See application file for complete search history.

(56) **References Cited**

U.S. PATENT DOCUMENTS

3,756,622	A *	9/1973	Pyle et al.	280/166
D296,887	S *	7/1988	Walling et al.	D12/203
D394,628	S *	5/1998	Wentzel	D12/203
D448,335	S *	9/2001	Ehnes	D12/203
6,422,342	B1 *	7/2002	Armstrong et al.	182/127
D494,117	S *	8/2004	Ruffin	D12/203
6,840,526	B2 *	1/2005	Anderson et al.	280/166
6,857,680	B2 *	2/2005	Fielding	296/62
D520,429	S *	5/2006	Woodard	D12/203
D537,399	S *	2/2007	Riddle	D12/203
7,293,788	B1 *	11/2007	Bosley et al.	280/163
D573,929	S *	7/2008	Black	D12/203

* cited by examiner

Primary Examiner—Stacia Cadmus
(74) *Attorney, Agent, or Firm*—Harry I. Leon

(57) **CLAIM**

The ornamental design for a step for pickup truck tailgate, as shown and described.

DESCRIPTION

FIGS. 1 and 2 are perspective views of the step for pickup truck tailgate in its use position according to the present invention, the dashed line of a person using the step and sections of a truck being shown for illustrative purposes only and not forming part of the claimed design;

FIGS. 3 and 4 are front and top perspective views of the tailgate step in its use position according to FIG. 1, respectively;

FIGS. 5 and 6 are right side and top perspective views of the tailgate step in its use position according to FIG. 1, respectively;

FIGS. 7 and 8 are right and left side elevation views, respectively, of the tailgate step in its use position according to FIG. 1;

FIGS. 9 and 10 are right side elevation views of the tailgate step according to FIG. 1, in which the unfolding of the step is illustrated;

FIG. 11 is a top side perspective view, of the tailgate step in according to FIG. 1 in its folded stored position; and,

FIG. 12 is exploded perspective view of the tailgate step according to FIG. 1.

The step for pickup truck tailgate is shown on an enlarged scale in FIGS. 3–12 as compared with FIGS. 1 and 2.

1 Claim, 6 Drawing Sheets

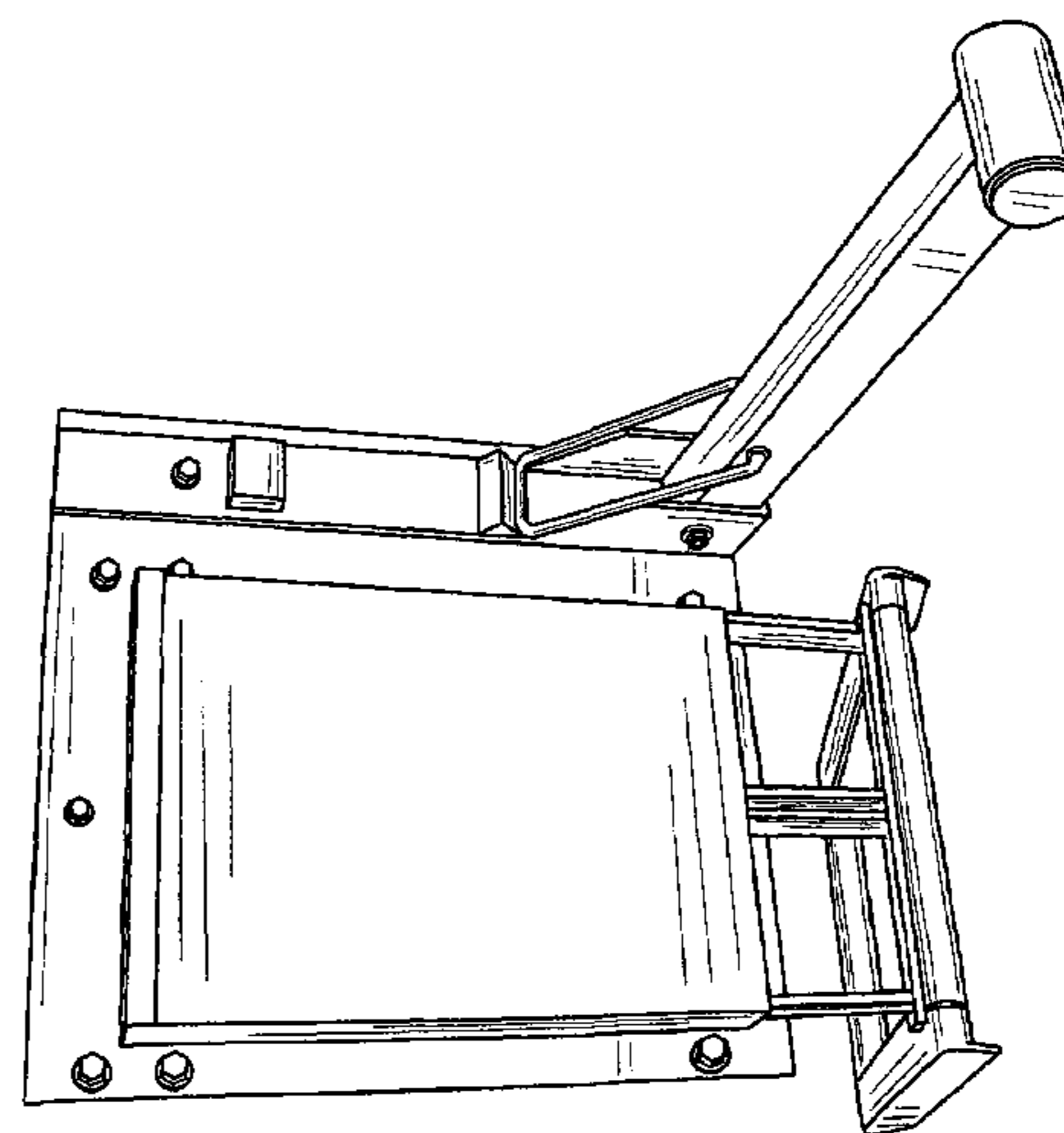
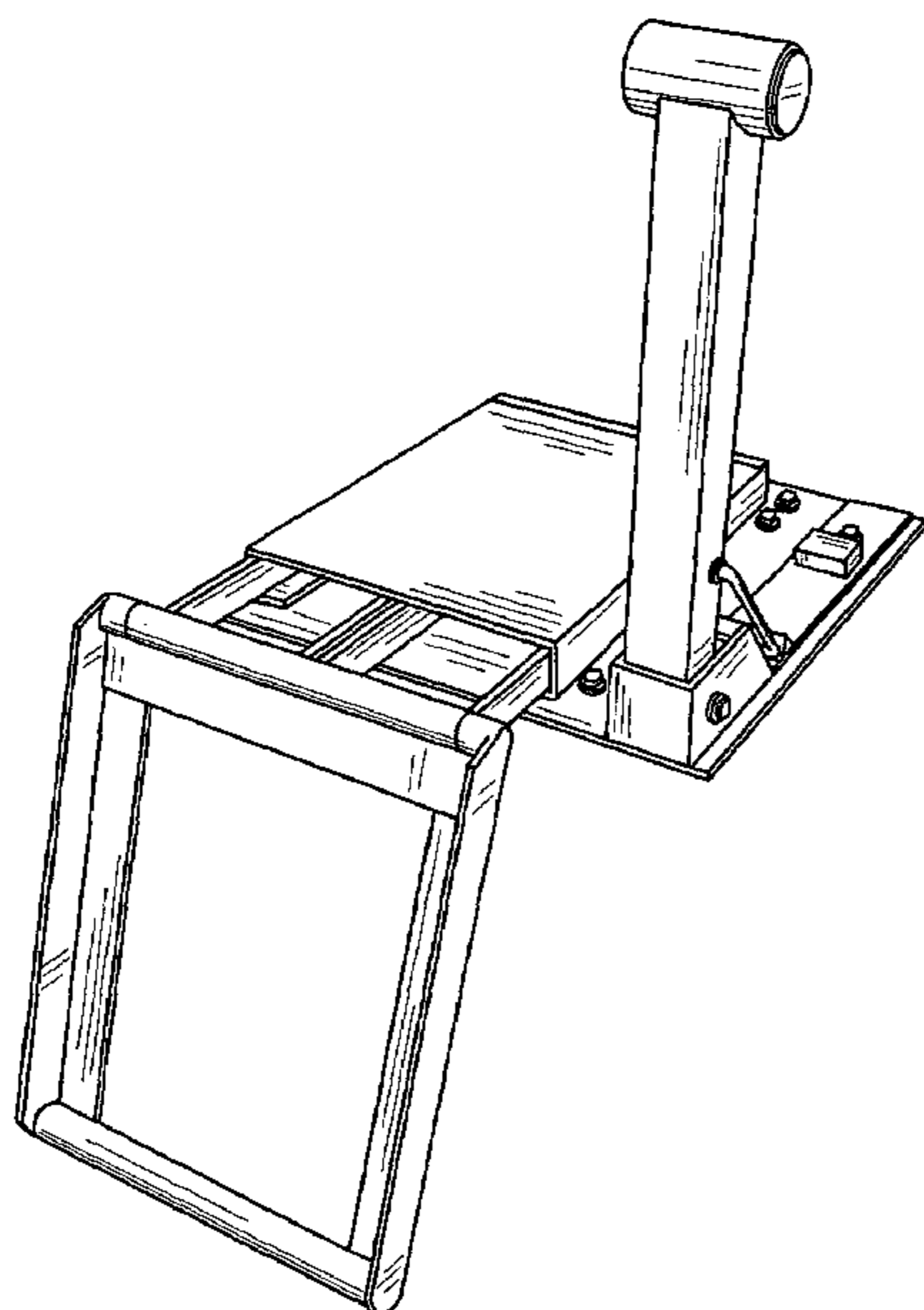


Fig. 1

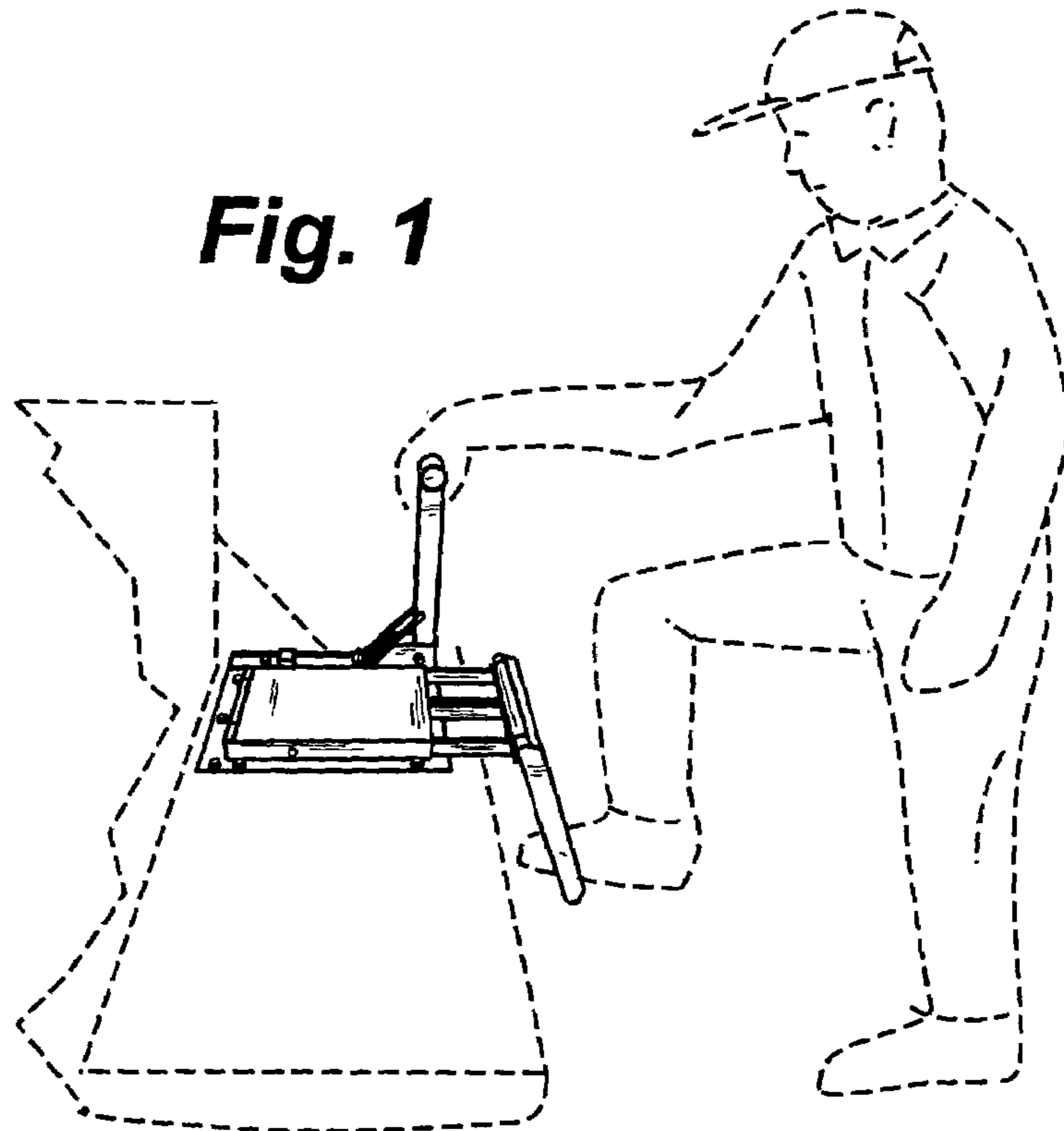
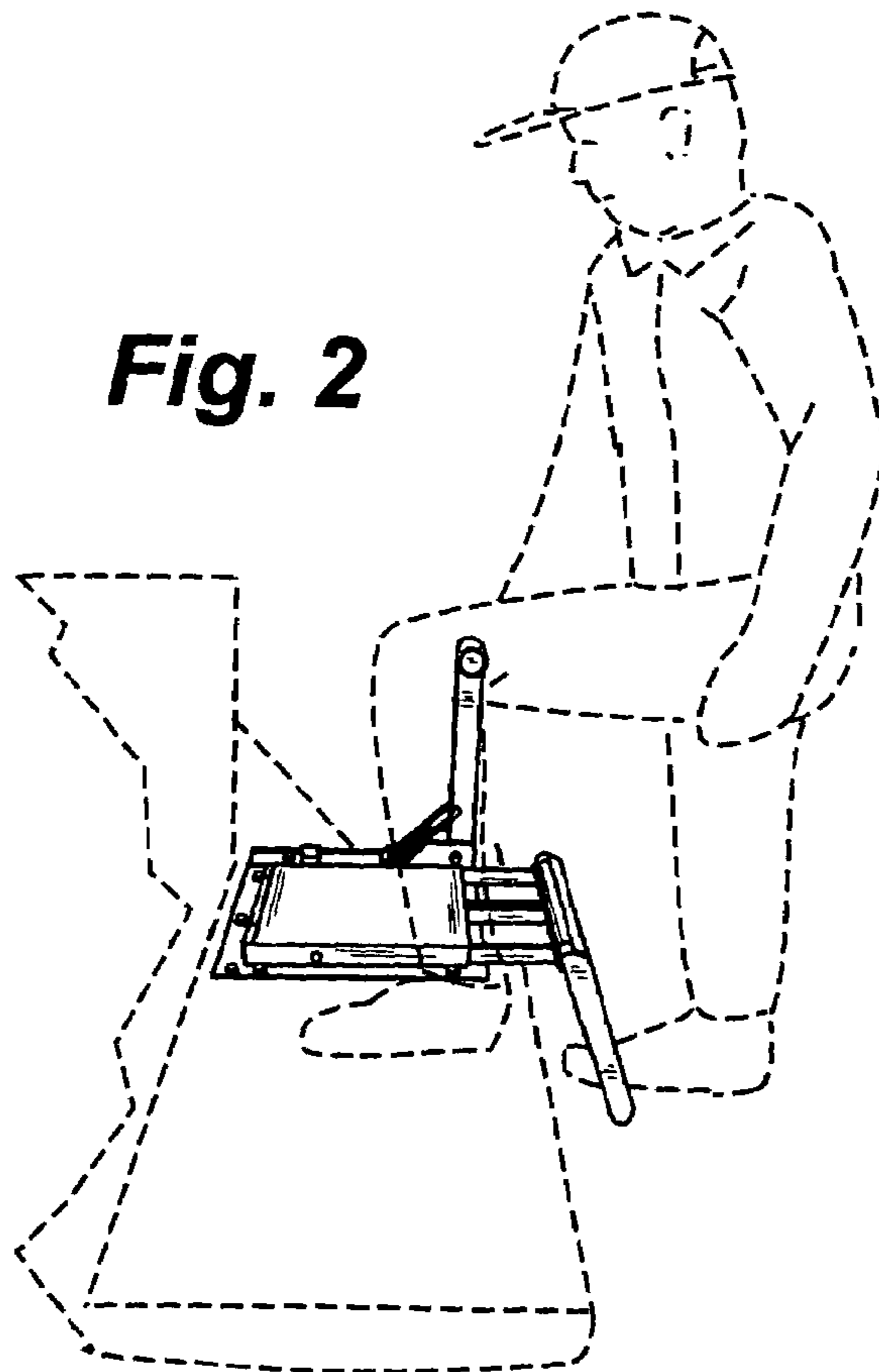


Fig. 2



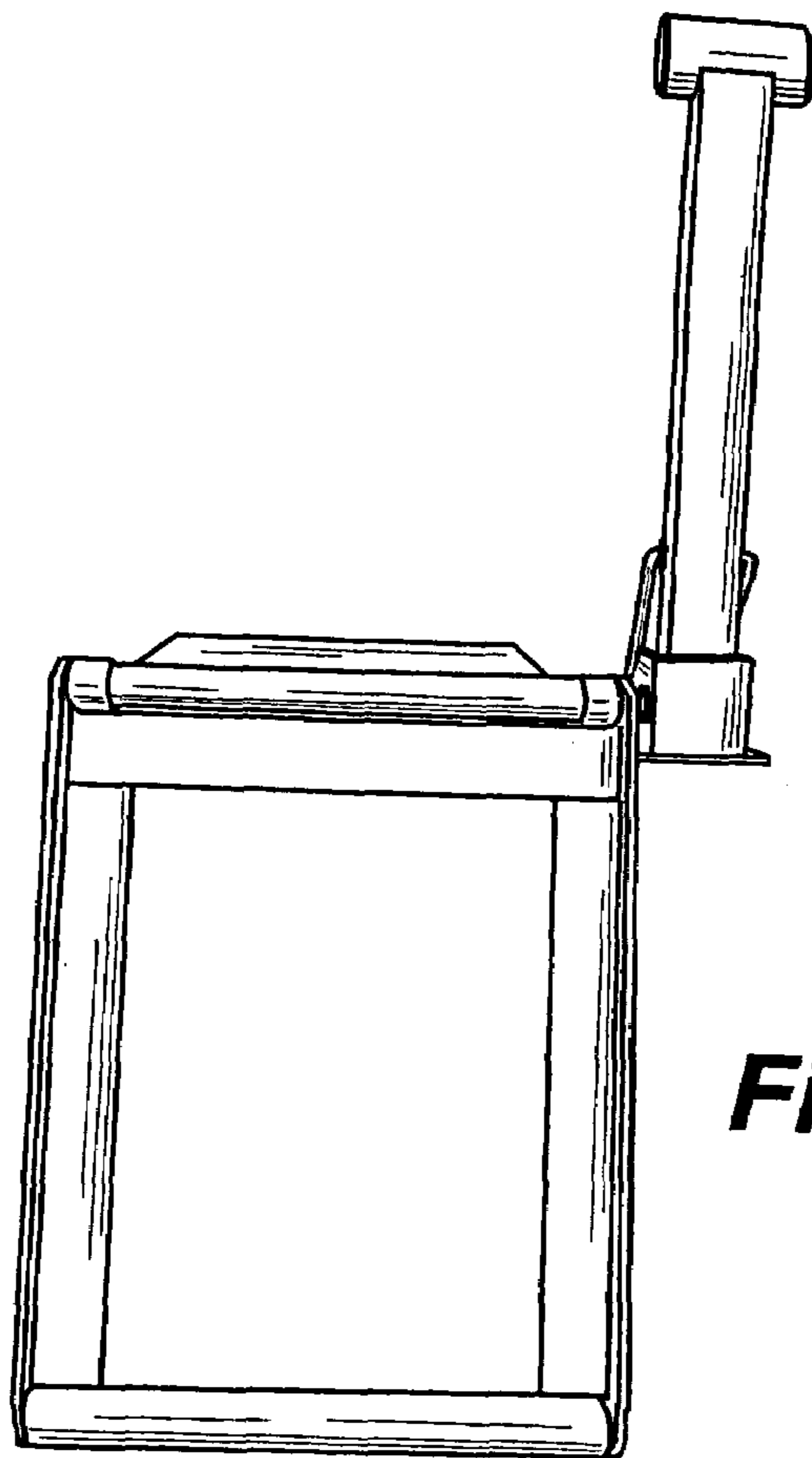


Fig. 3

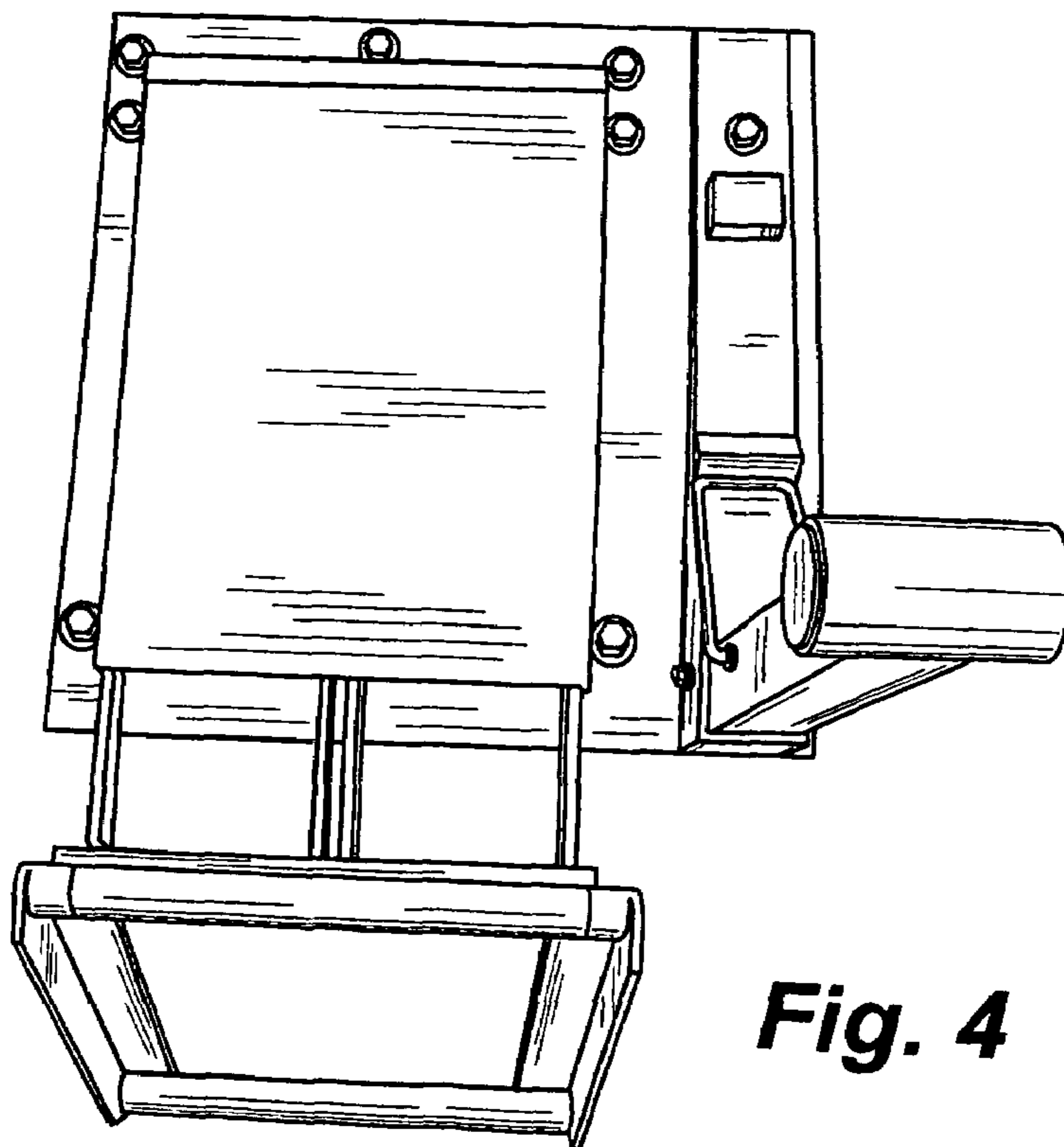


Fig. 4

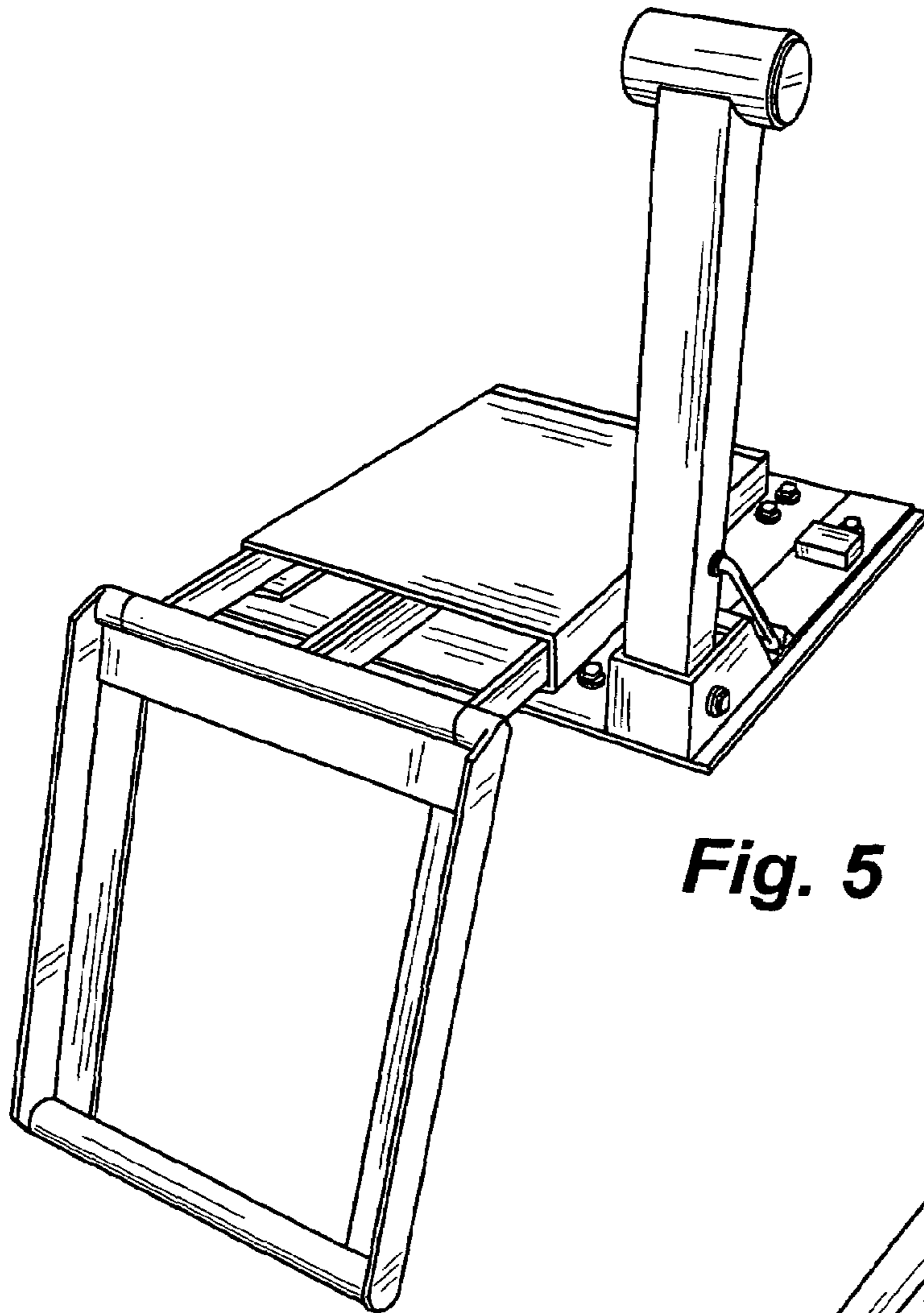


Fig. 5

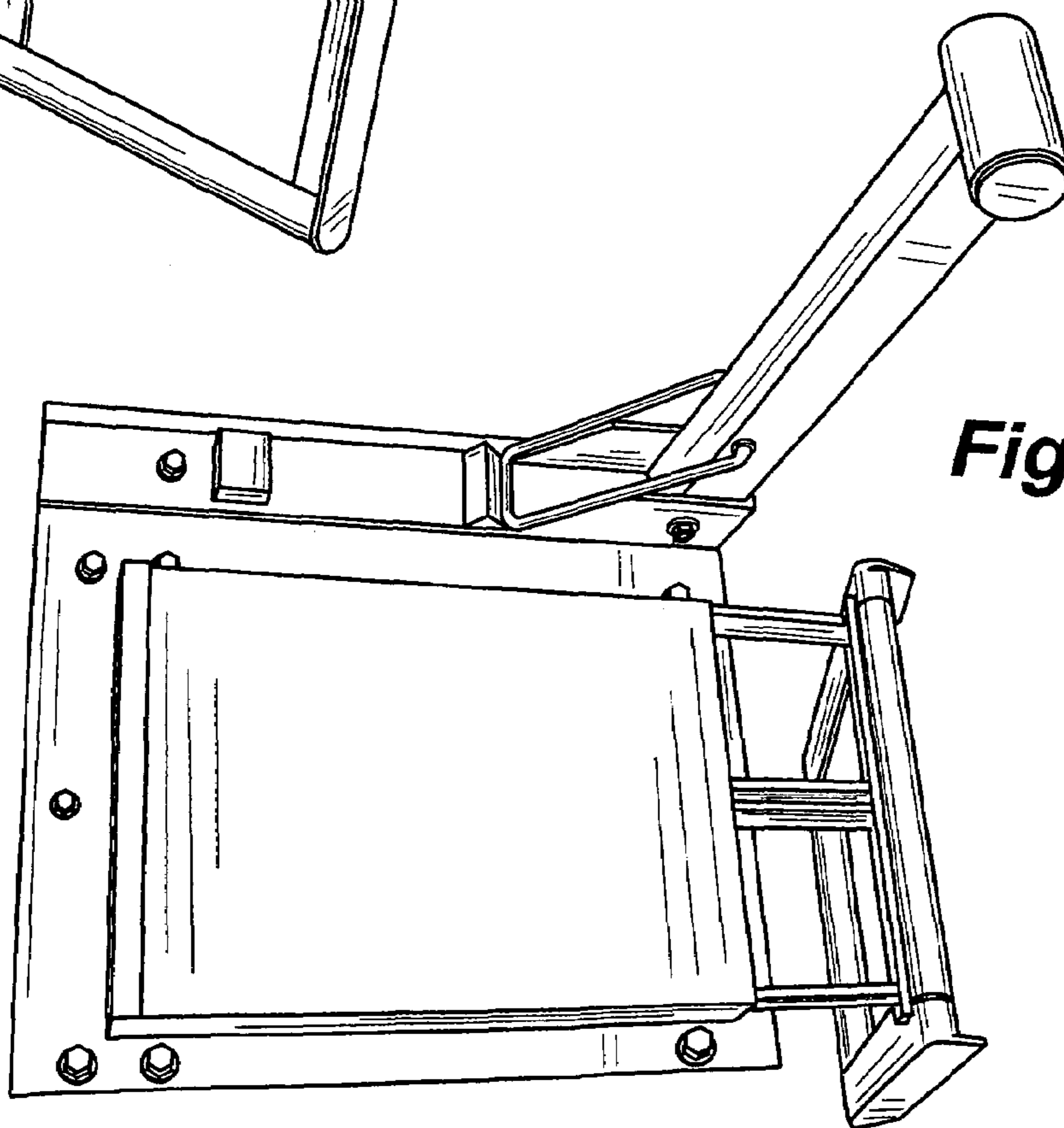
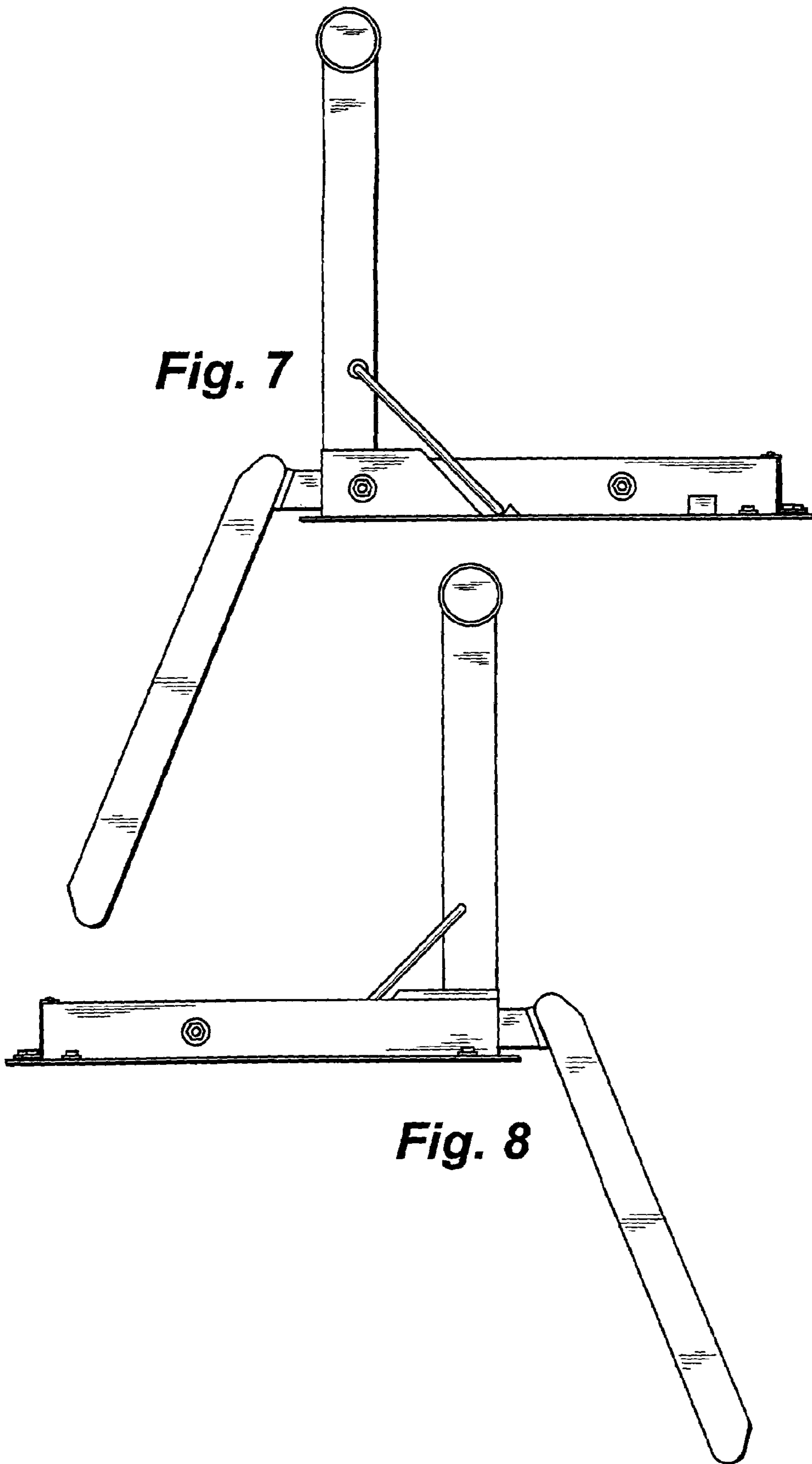


Fig. 6



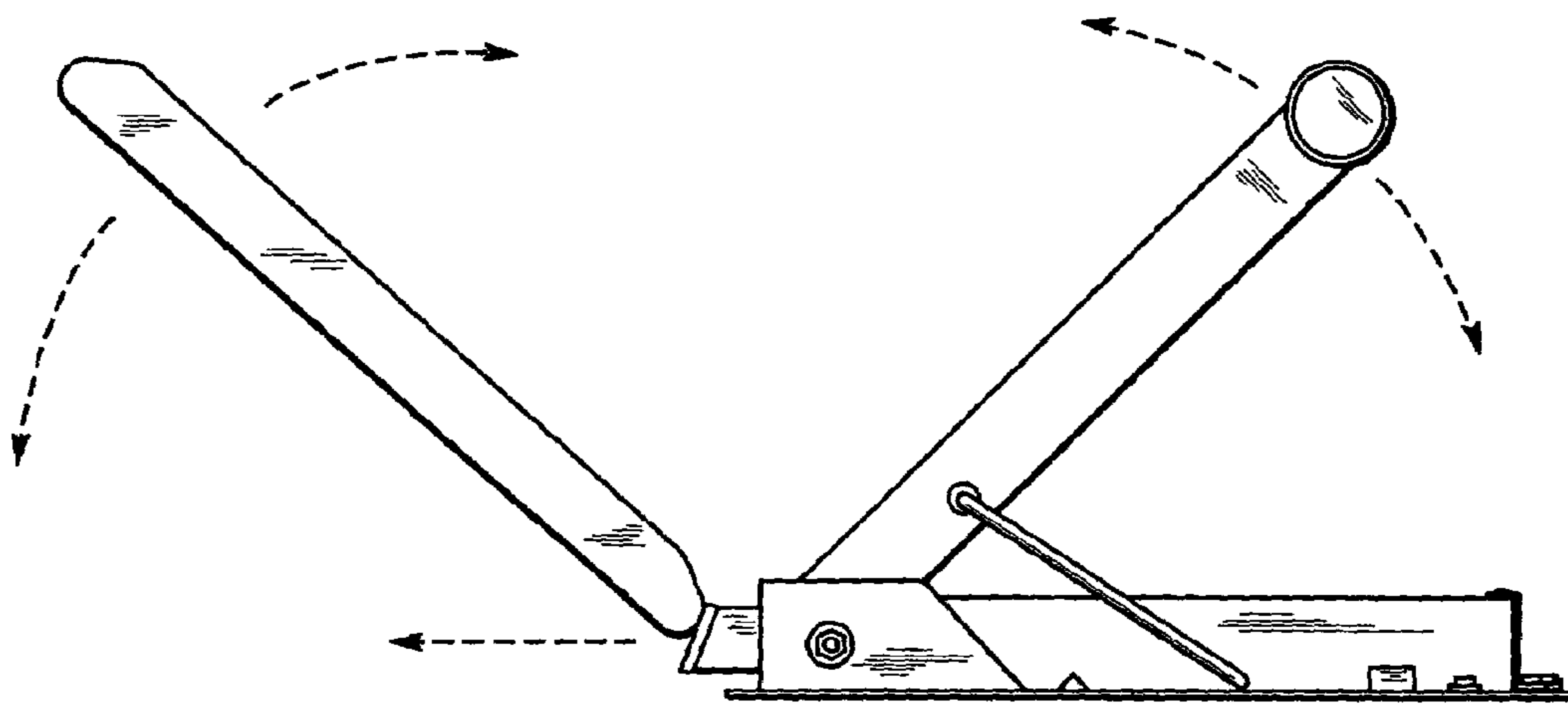
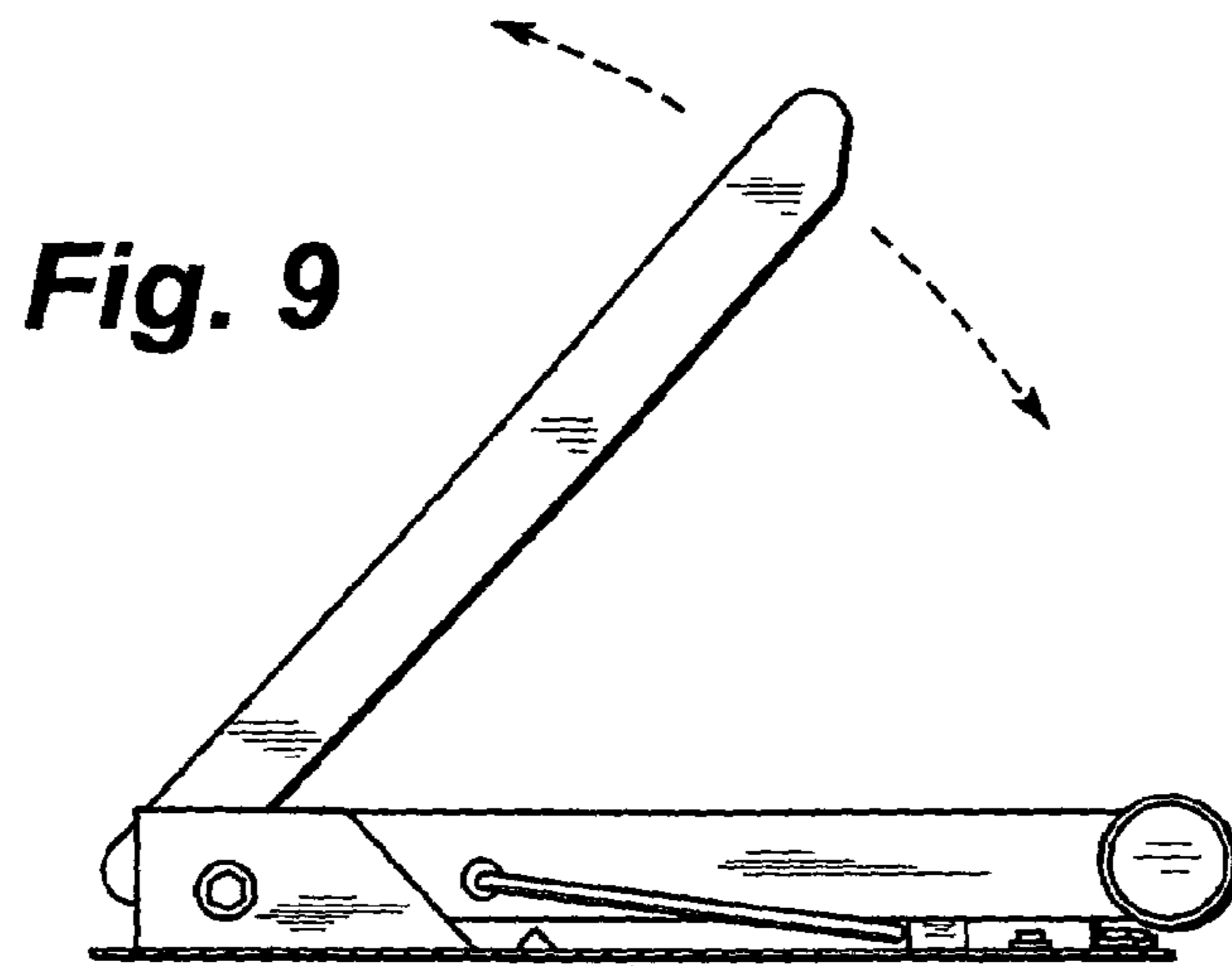
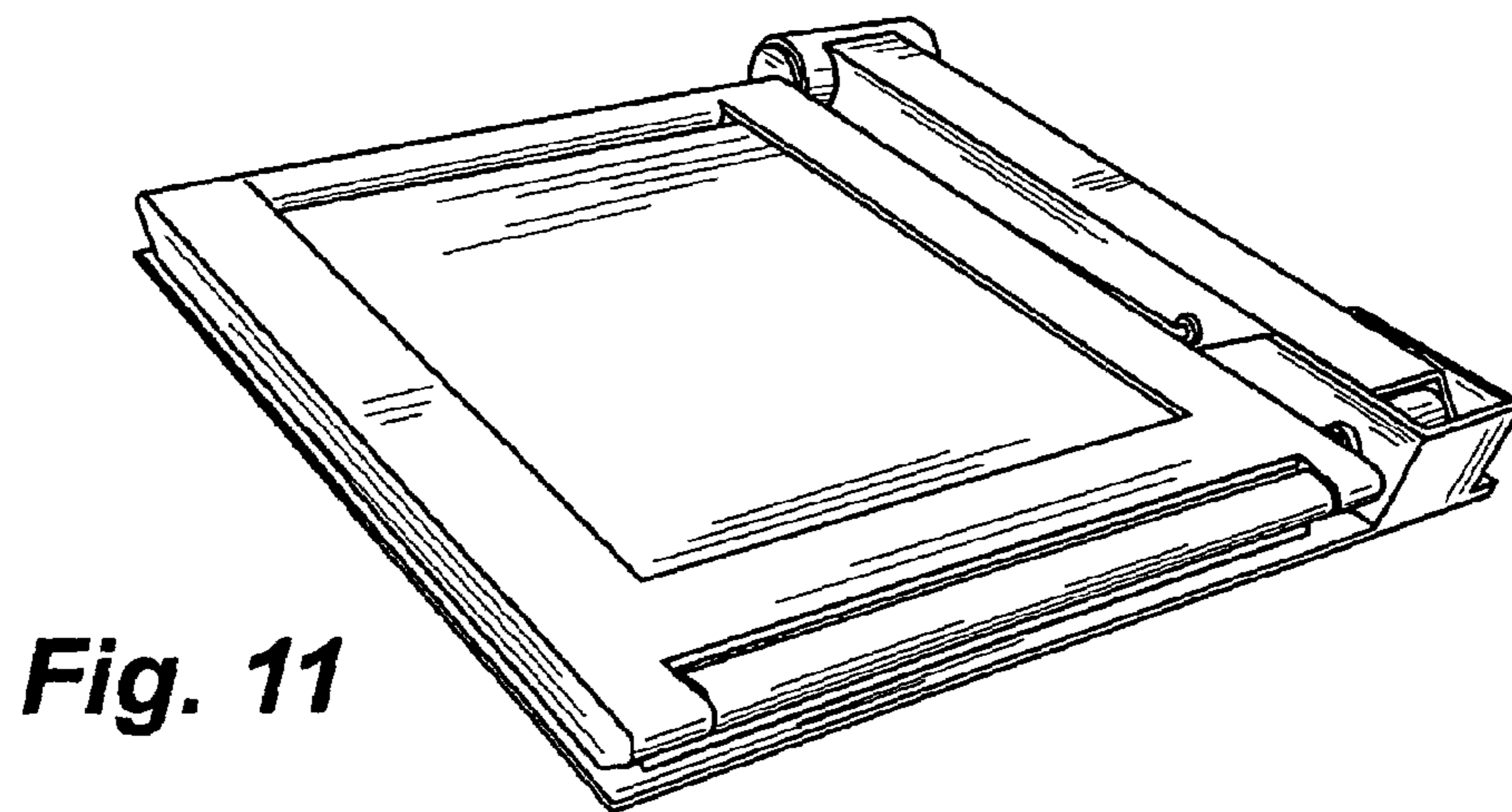


Fig. 10



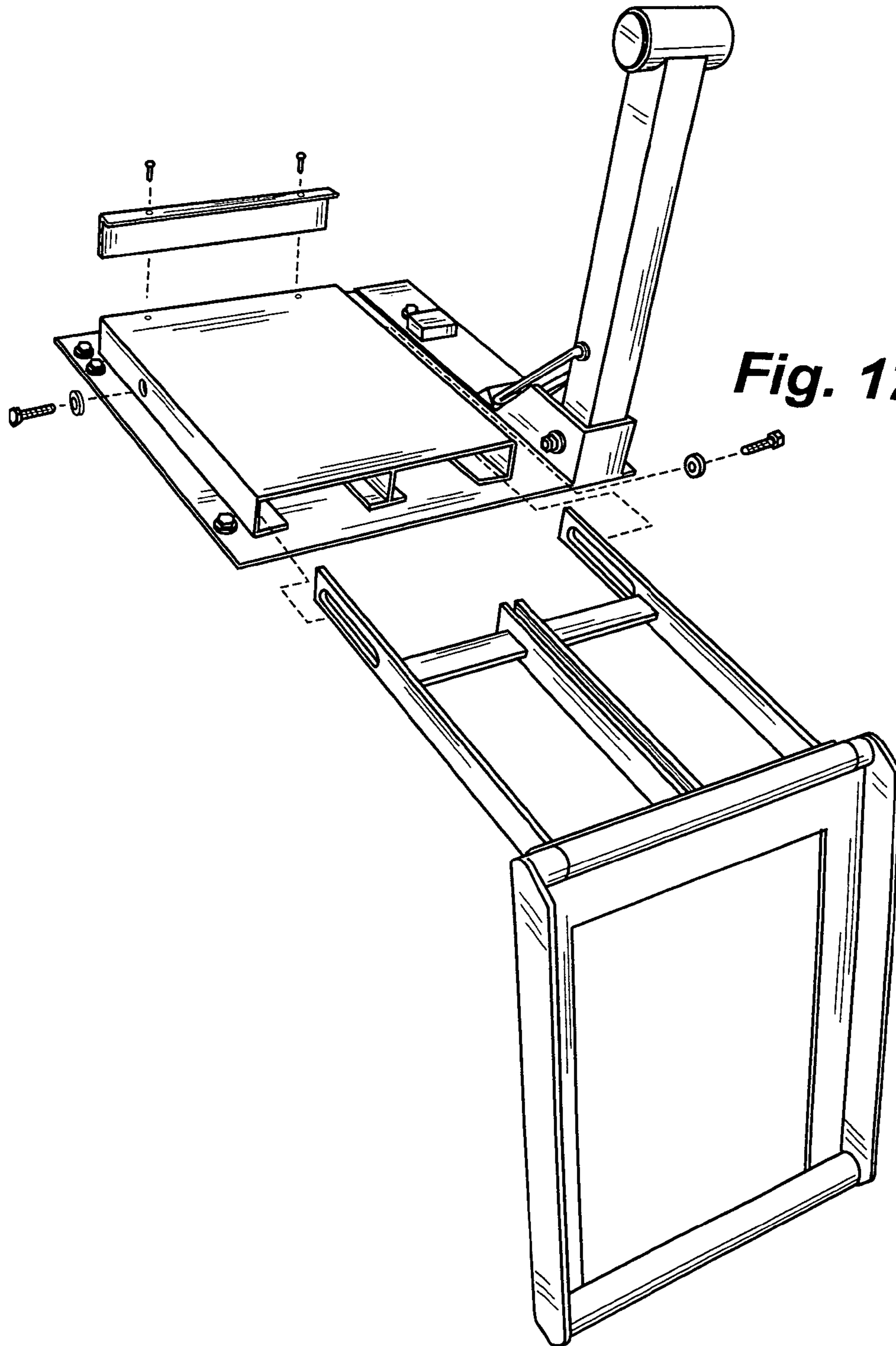


Fig. 12

UNITED STATES PATENT AND TRADEMARK OFFICE
CERTIFICATE OF CORRECTION

PATENT NO. : D593,472 S
APPLICATION NO. : 29/313035
DATED : June 2, 2009
INVENTOR(S) : Coletti

Page 1 of 8

It is certified that error appears in the above-identified patent and that said Letters Patent is hereby corrected as shown below:

The title page, showing an illustrative figure, should be deleted and substitute therefor the attached title page.

Delete drawing sheets 1-6 and substitute therefor the drawing sheets 1-6, consisting of figures 1-12 as shown on the attached pages.

Signed and Sealed this
Twenty-sixth Day of April, 2011

A handwritten signature in black ink that reads "David J. Kappos". The signature is written in a cursive style with a large initial "D" and "K".

David J. Kappos
Director of the United States Patent and Trademark Office

(12) **United States Design Patent**
Coletti

(10) **Patent No.:** **US D593,472 S**
(45) **Date of Patent:** **** Jun. 2, 2009**

(54) **STEP FOR PICKUP TRUCK TAILGATE**

(76) Inventor: **Donn K. Coletti**, 2588 Andover Dr.,
Atlanta, GA (US) 30360

(**) Term: **14 Years**

(21) Appl. No.: **29/313,035**

(22) Filed: **Dec. 2, 2008**

Related U.S. Application Data

(63) Continuation-in-part of application No. 29/310,344,
filed on Aug. 11, 2008, now Pat. No. Des. 585,350.

(51) **LOC (9) Cl.** **12-16**

(52) **U.S. Cl.** **D12/203**

(58) **Field of Classification Search** D12/203;
D25/62, 63, 69; 182/90, 92, 150, 96, 127,
182/88; 280/163, 165, 164.1, 164.2, 166;
296/62, 57.1; 293/117; 105/430, 487, 449
See application file for complete search history.

(56) **References Cited**

U.S. PATENT DOCUMENTS

3,756,622	A *	9/1973	Pyle et al.	280/166
D296,887	S *	7/1988	Walling et al.	D12/203
D394,628	S *	5/1998	Wentzel	D12/203
D448,335	S *	9/2001	Ehnes	D12/203
6,422,342	B1 *	7/2002	Armstrong et al.	182/127
D494,117	S *	8/2004	Ruffin	D12/203
6,840,526	B2 *	1/2005	Anderson et al.	280/166
6,857,680	B2 *	2/2005	Fielding	296/62
D520,429	S *	5/2006	Woodard	D12/203
D537,399	S *	2/2007	Riddle	D12/203
7,293,788	B1 *	11/2007	Bosley et al.	280/163
D573,929	S *	7/2008	Black	D12/203

* cited by examiner

Primary Examiner—Stacia Cadmus
(74) *Attorney, Agent, or Firm*—Harry I. Leon

(57) **CLAIM**

The ornamental design for a step for pickup truck tailgate, as shown and described.

DESCRIPTION

FIGS. 1 and 2 are perspective views of the step for pickup truck tailgate in its use position according to the present invention, the dashed line of a person using the step and sections of a truck being shown for illustrative purposes only and not forming part of the claimed design;

FIGS. 3 and 4 are front and top perspective views of the tailgate step in its use position according to FIG. 1, respectively;

FIGS. 5 and 6 are right side and top perspective views of the tailgate step in its use position according to FIG. 1, respectively;

FIGS. 7 and 8 are right and left side elevation views, respectively, of the tailgate step in its use position according to FIG. 1;

FIGS. 9 and 10 are right side elevation views of the tailgate step according to FIG. 1, in which the unfolding of the step is illustrated;

FIG. 11 is a top side perspective view of the tailgate step in according to FIG. 1 in its folded stored position; and,

FIG. 12 is exploded perspective view of the tailgate step according to FIG. 1.

The step for pickup truck tailgate is shown on an enlarged scale in FIGS. 3–12 as compared with FIGS. 1 and 2.

1 Claim, 6 Drawing Sheets

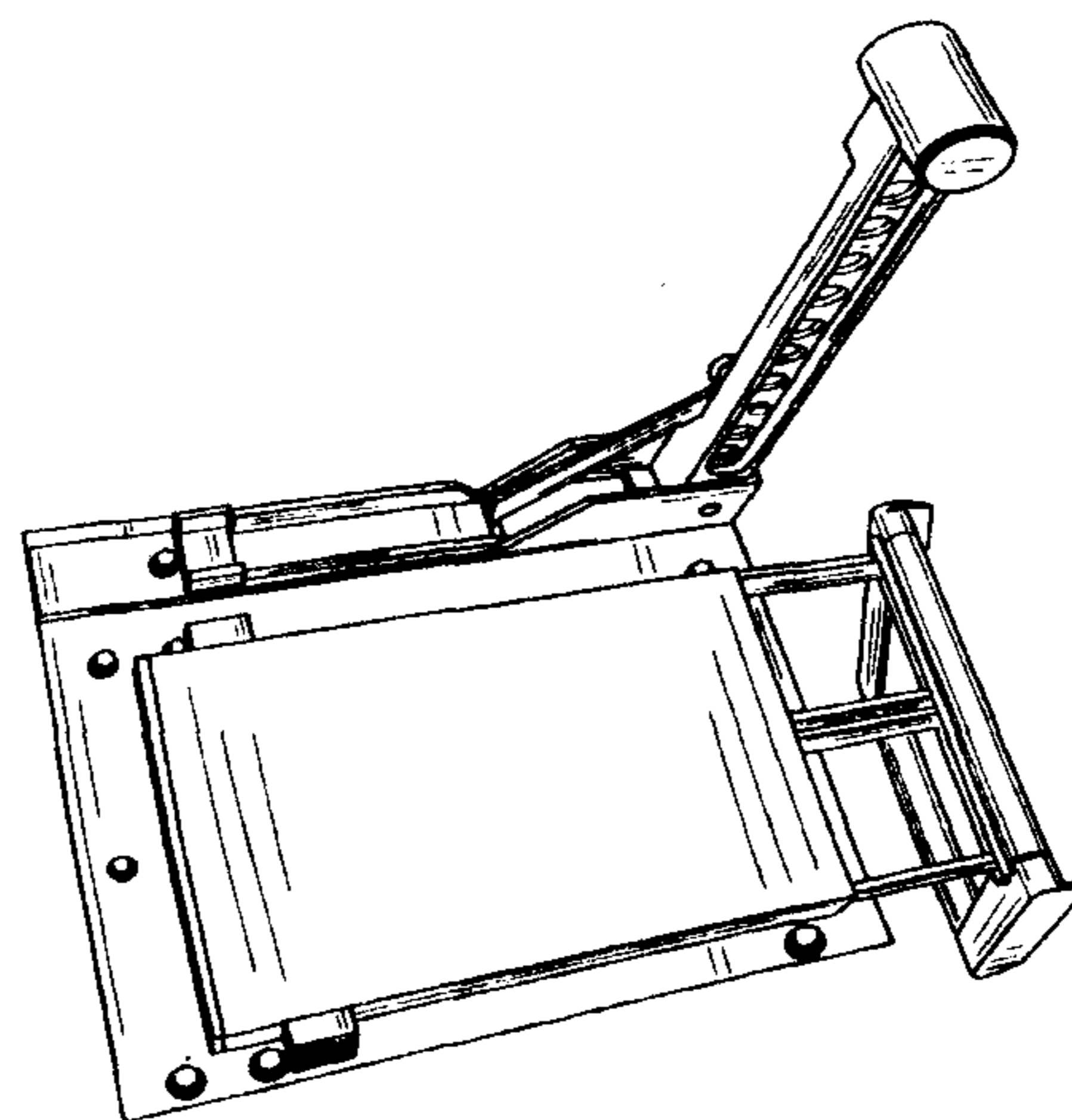
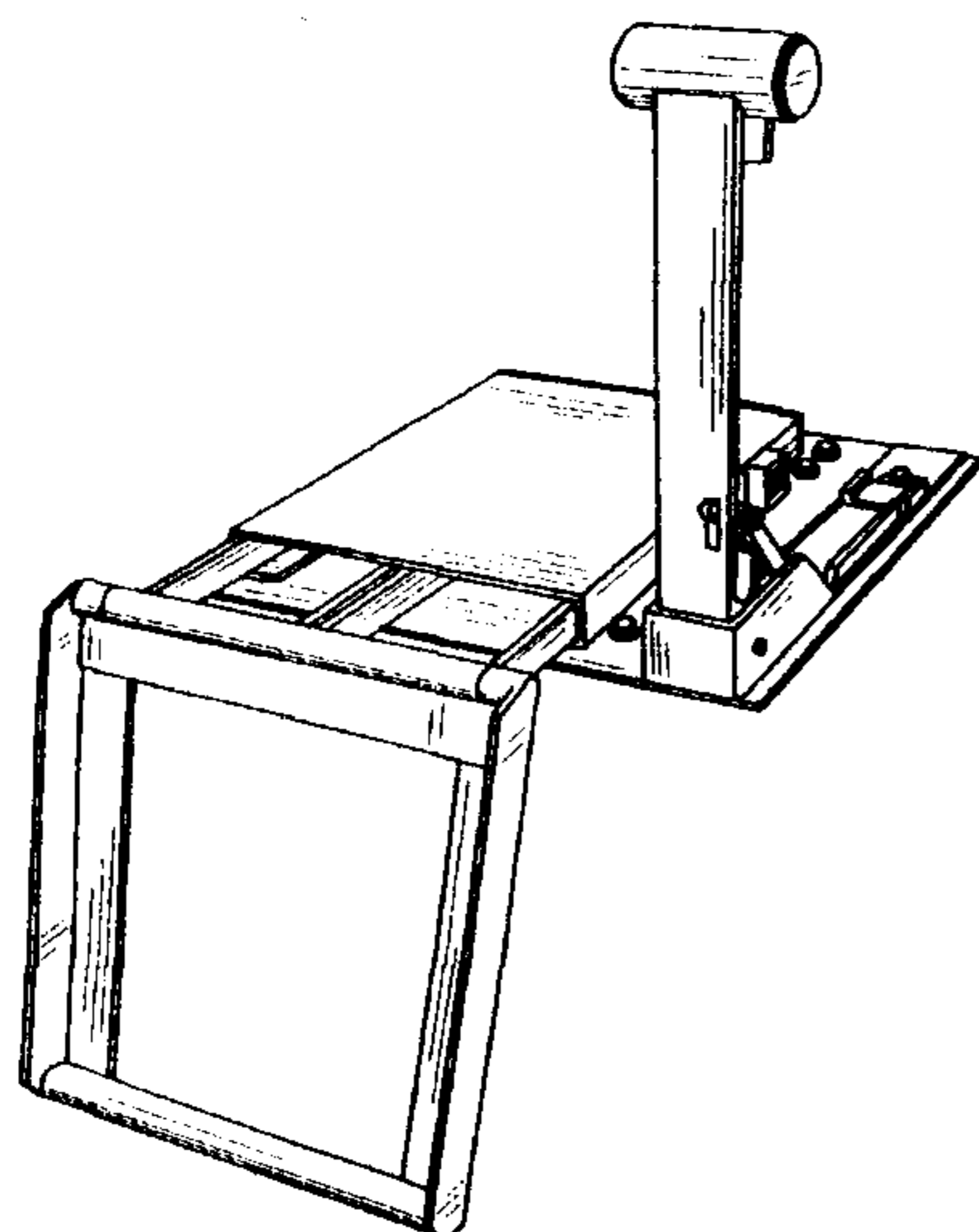


FIG. 1

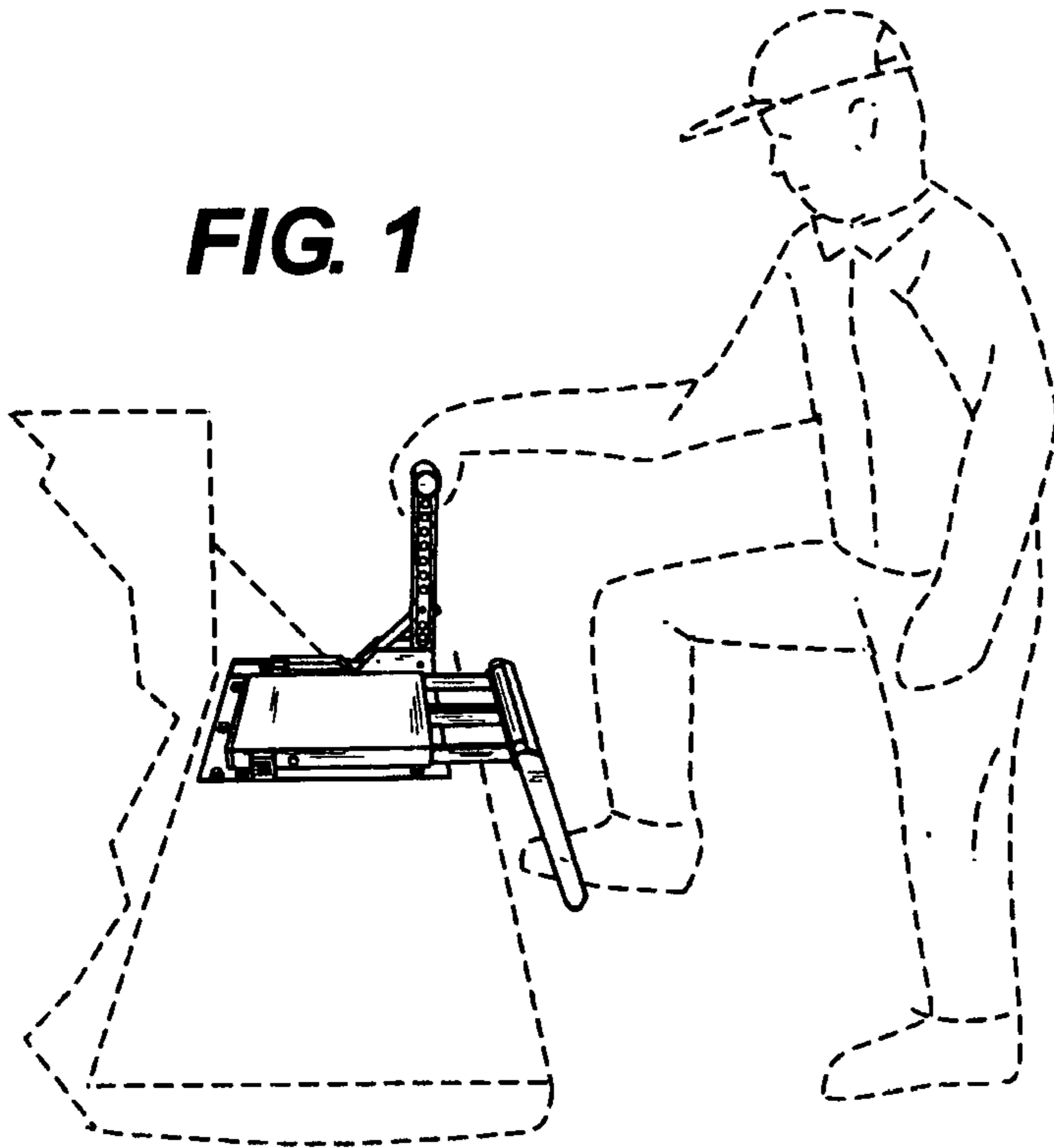
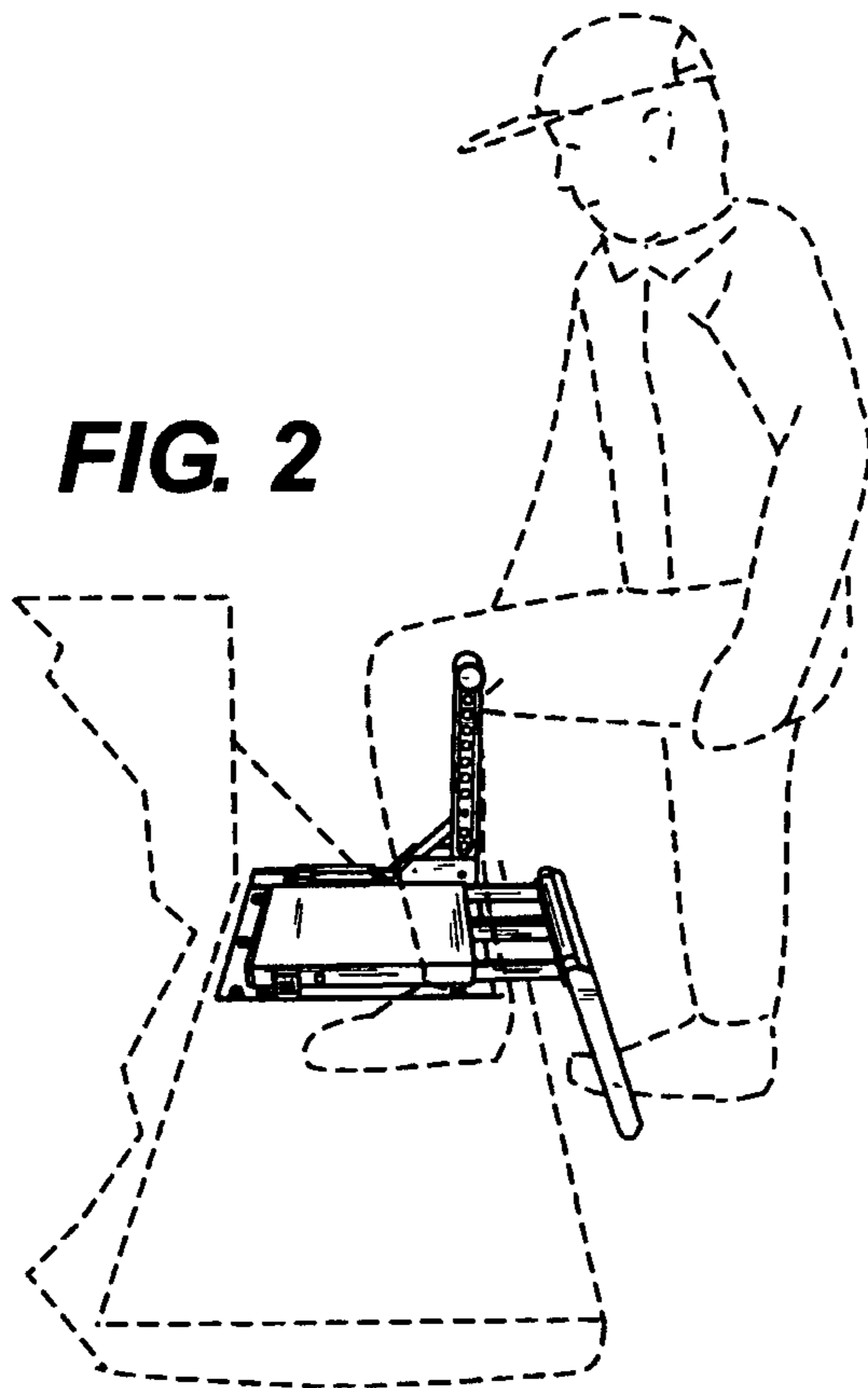


FIG. 2



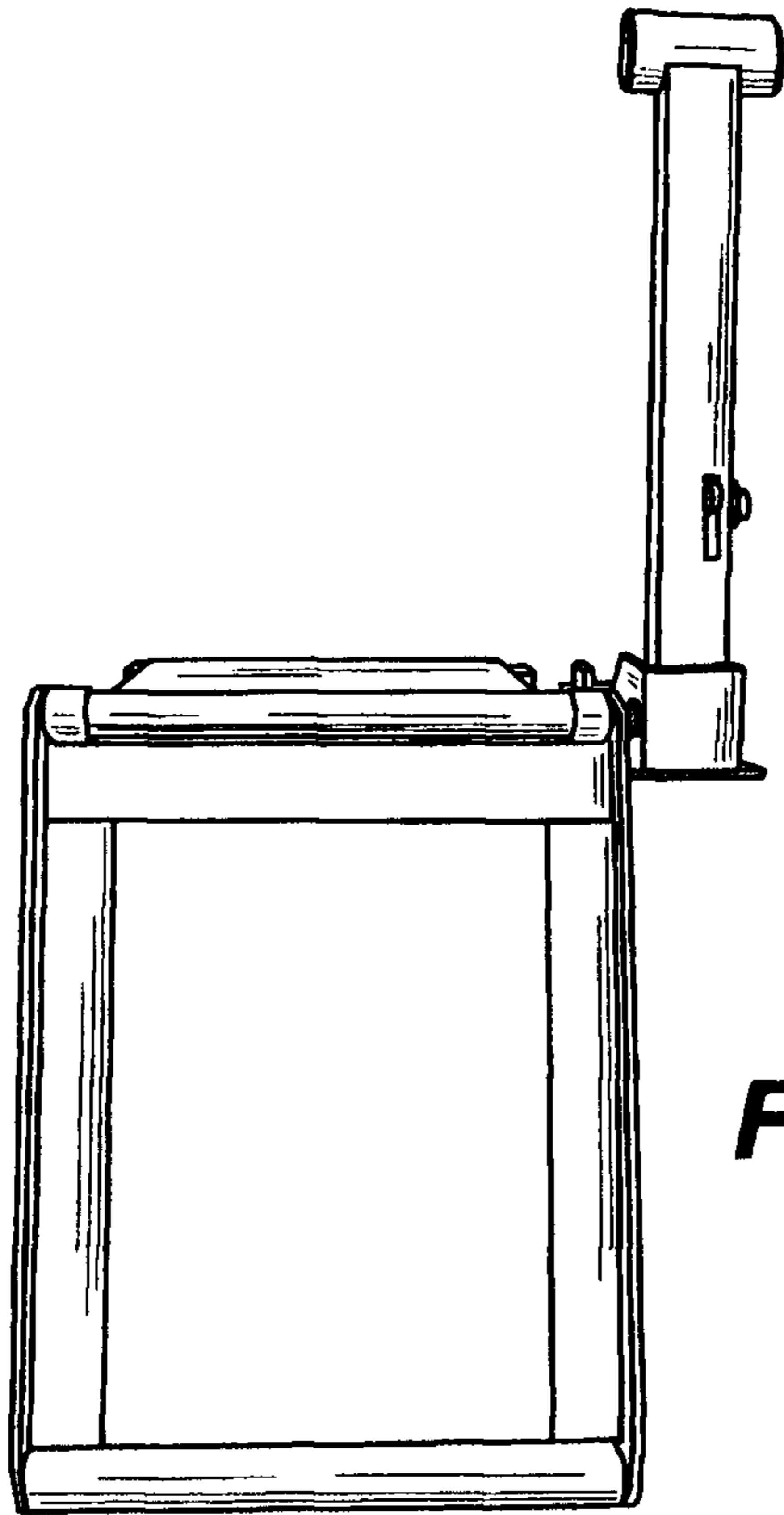


FIG. 3

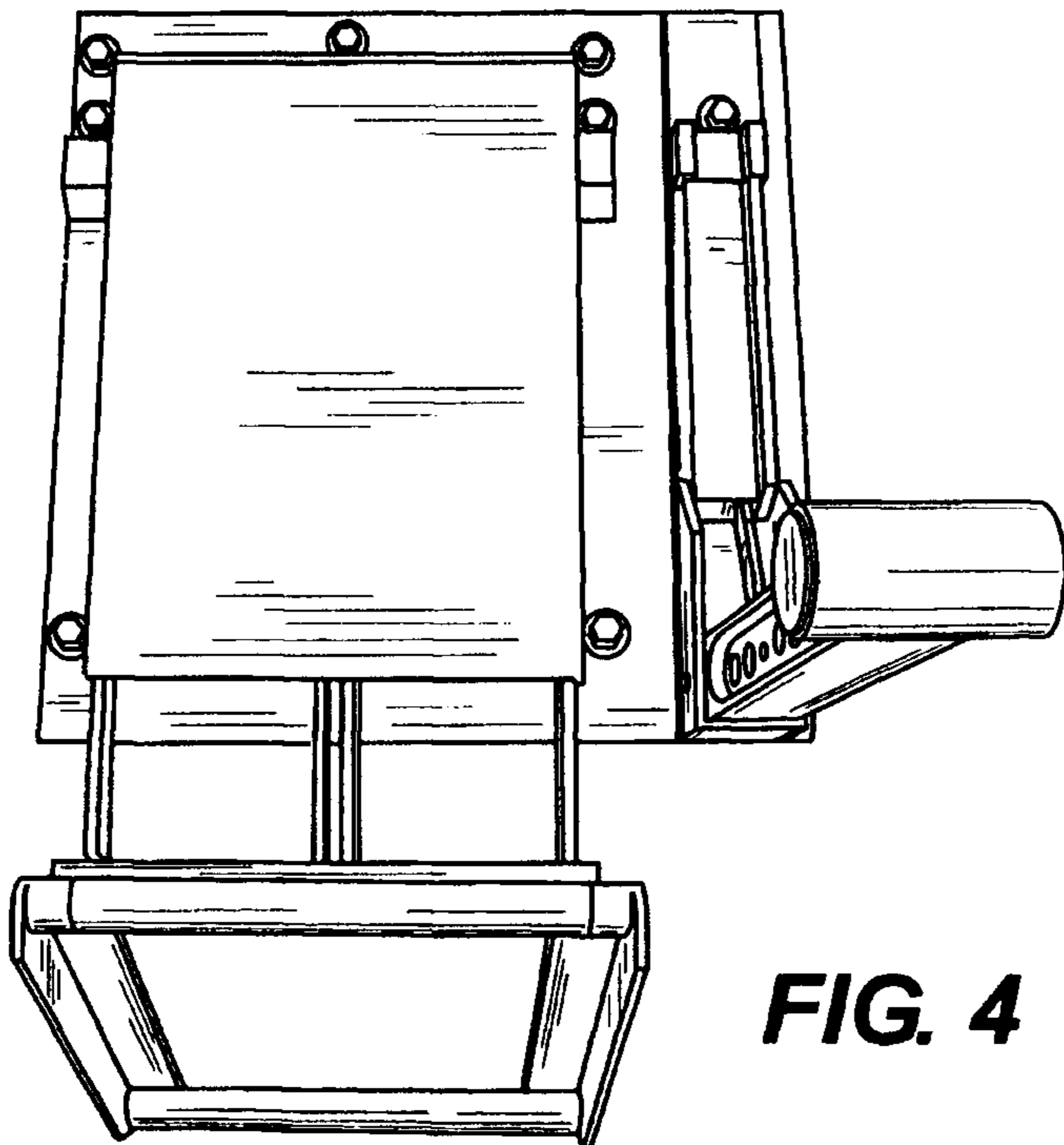


FIG. 4

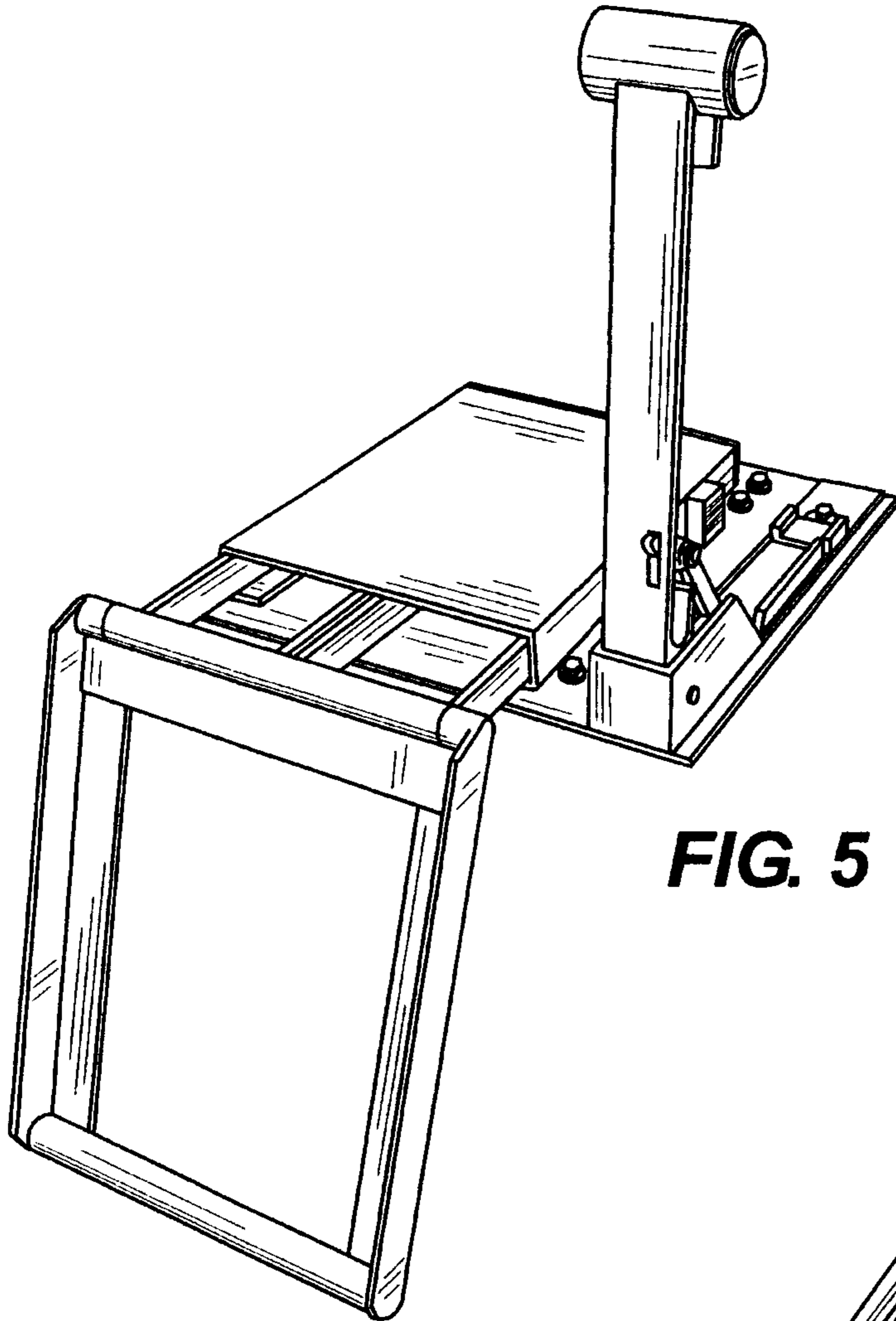


FIG. 5

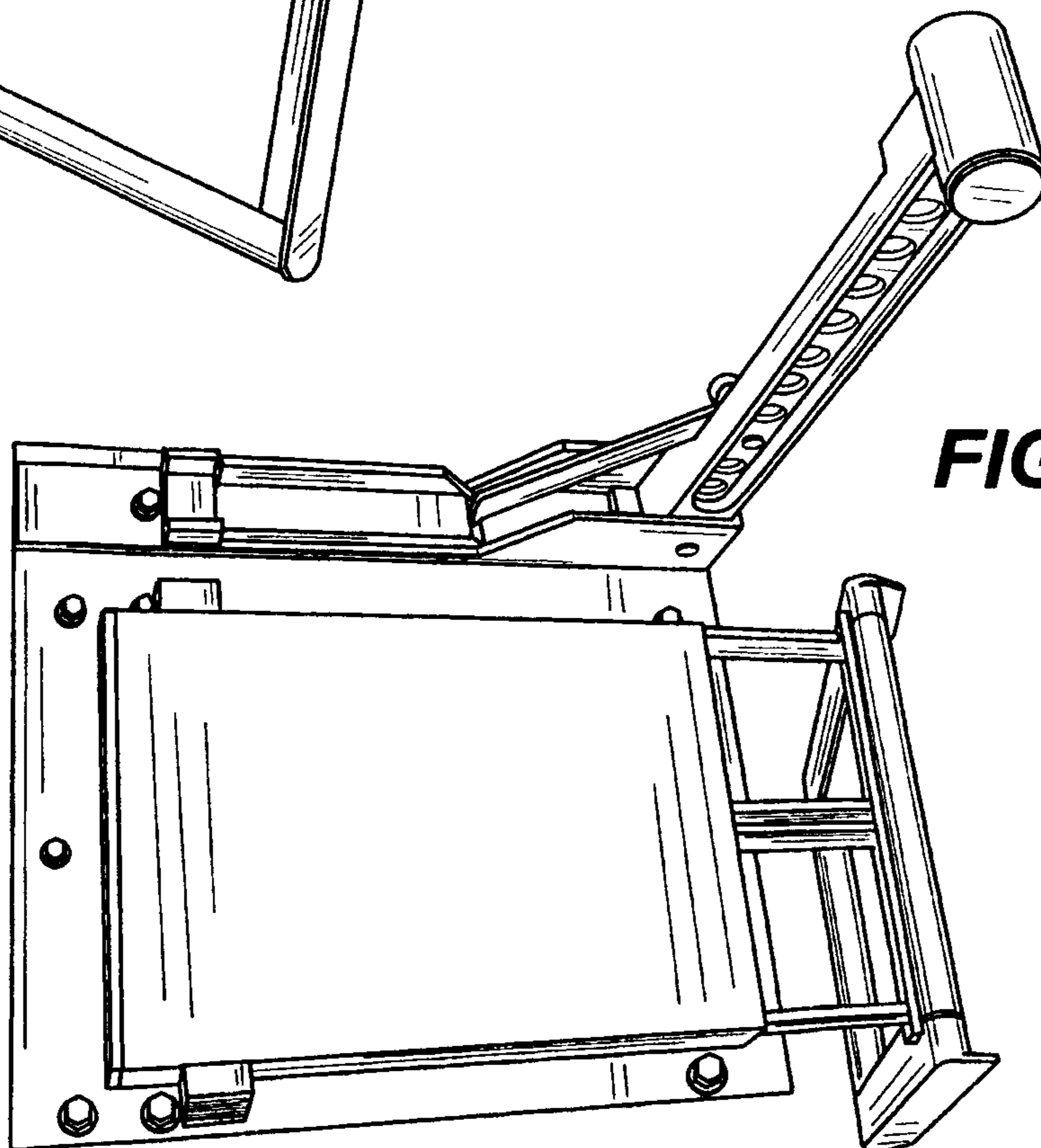


FIG. 6

FIG. 7

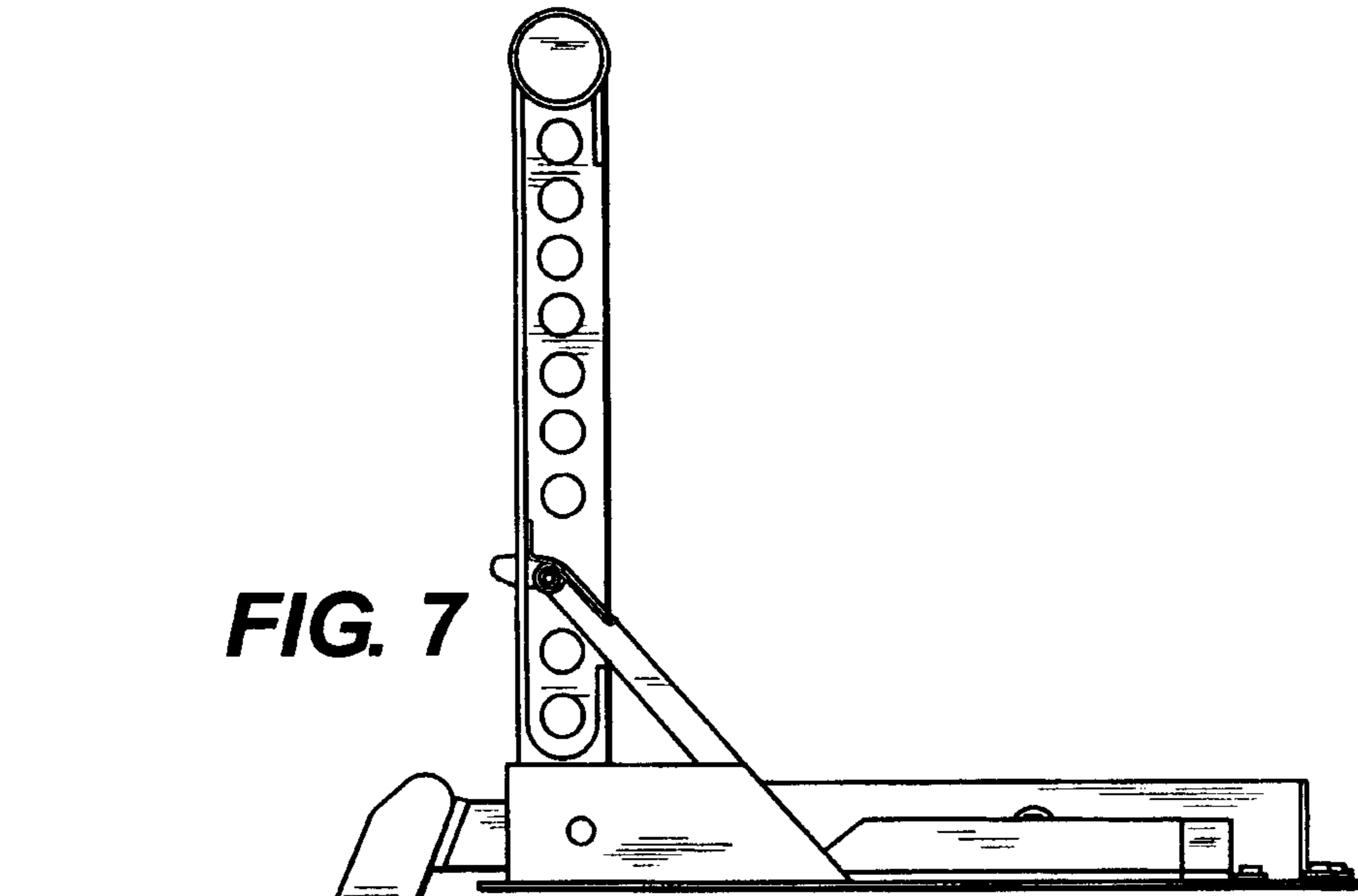


FIG. 8

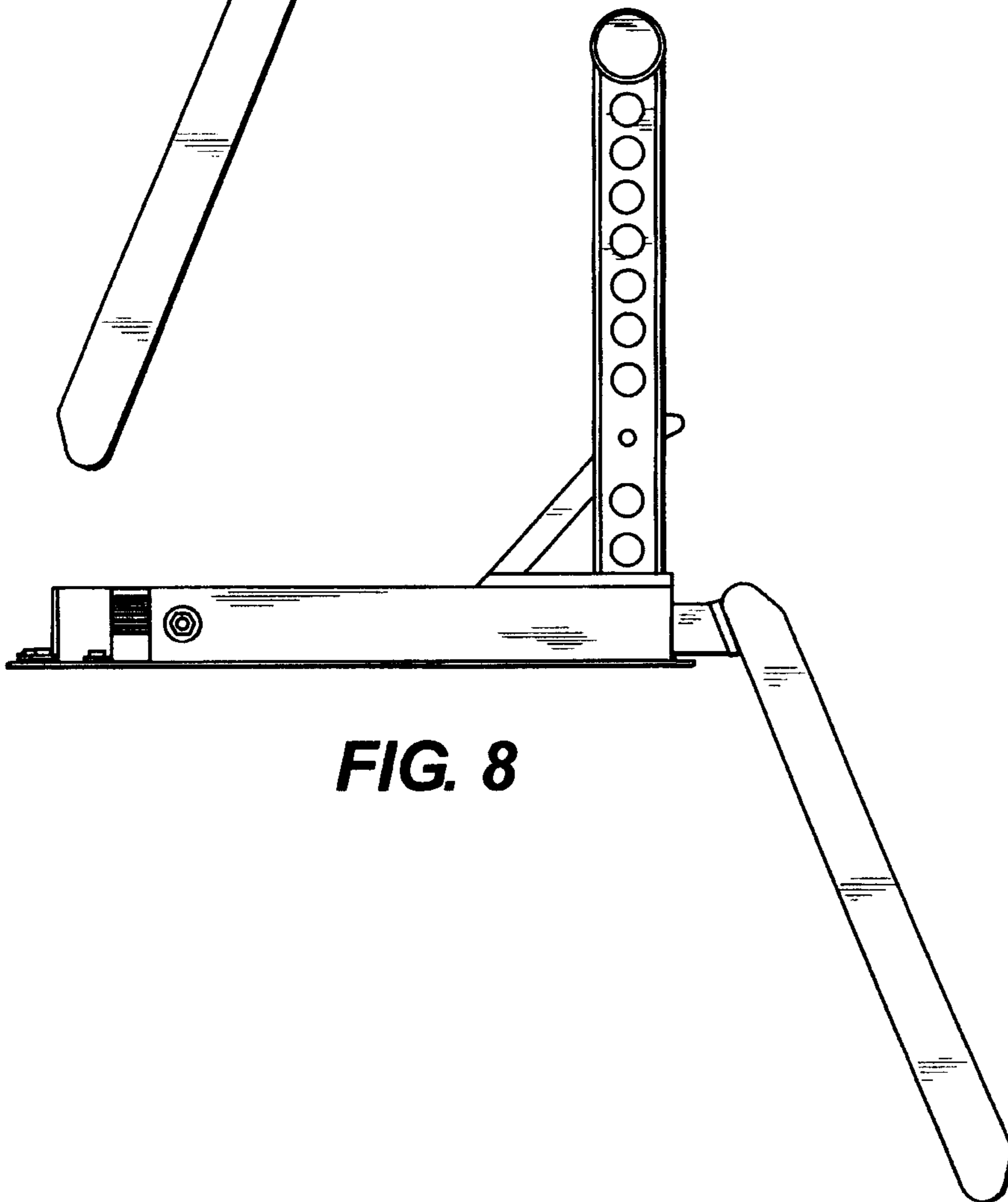


FIG. 9

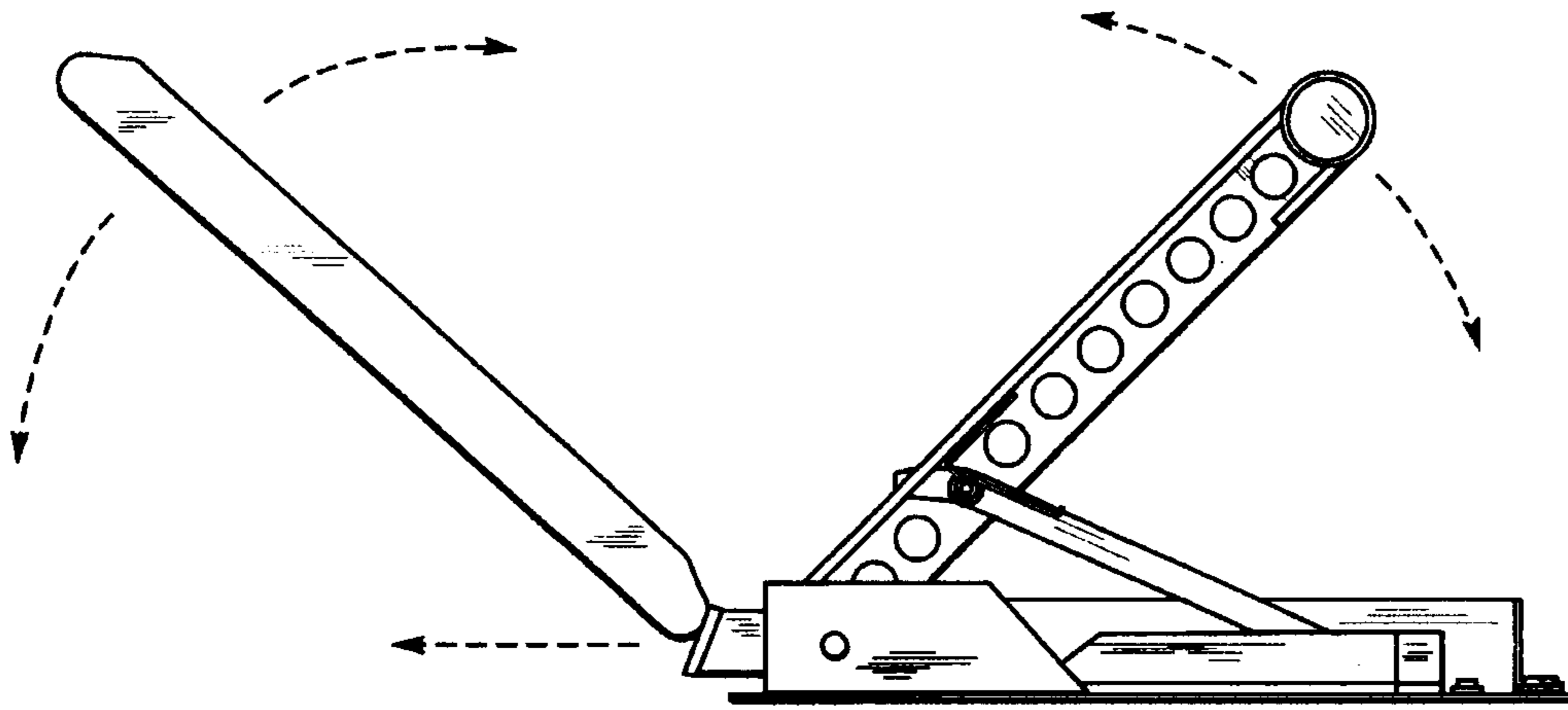
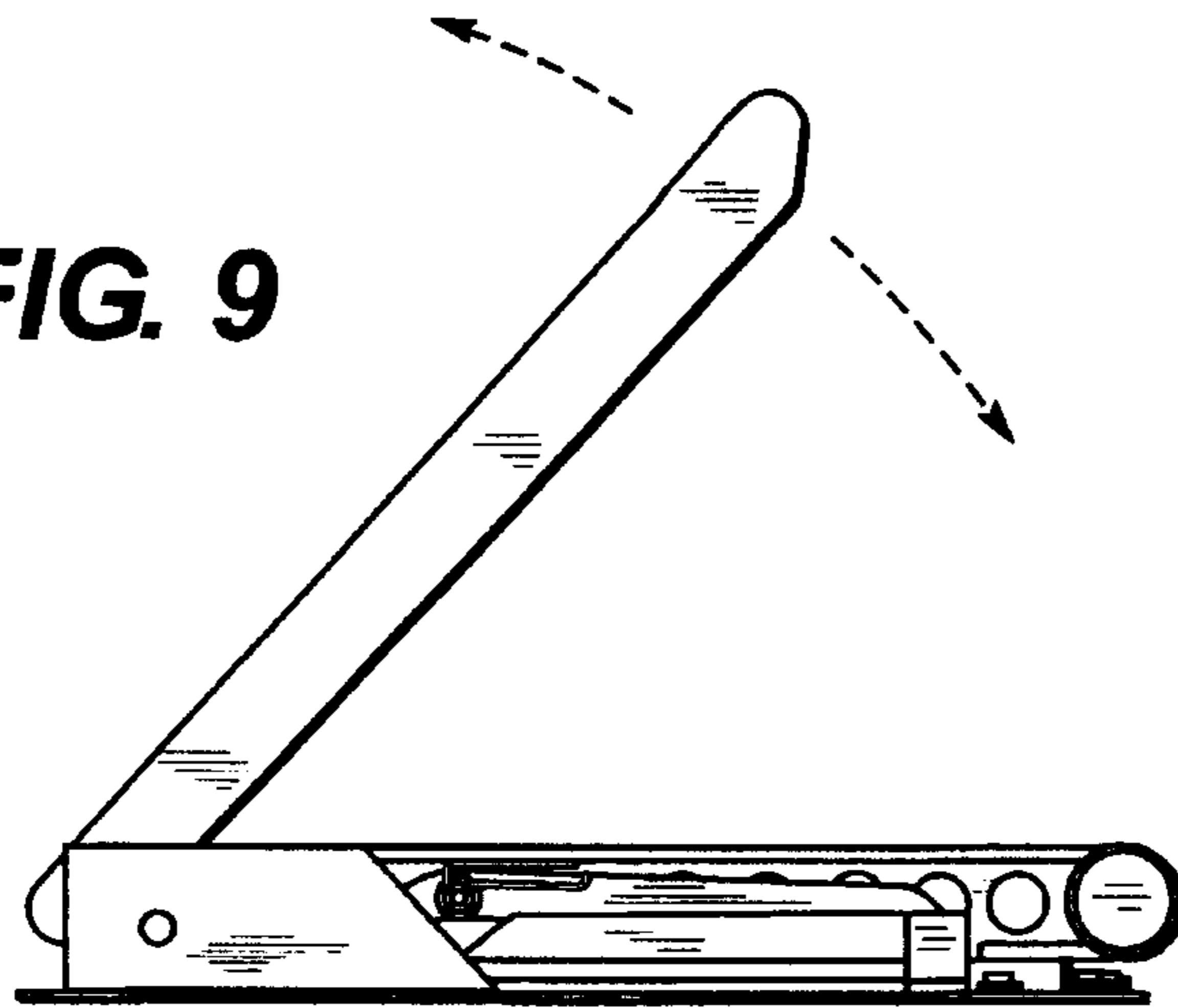
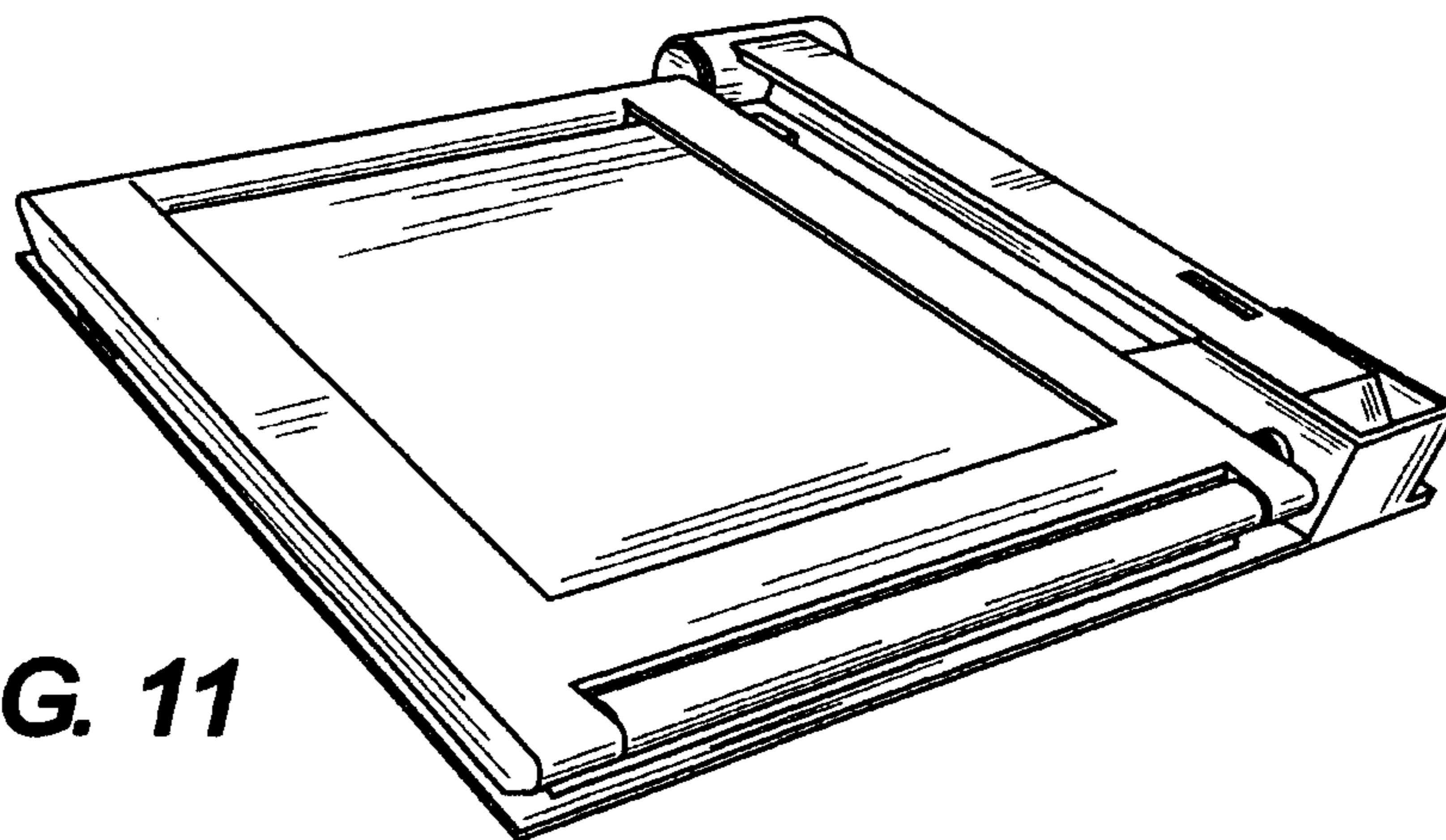


FIG. 10

FIG. 11



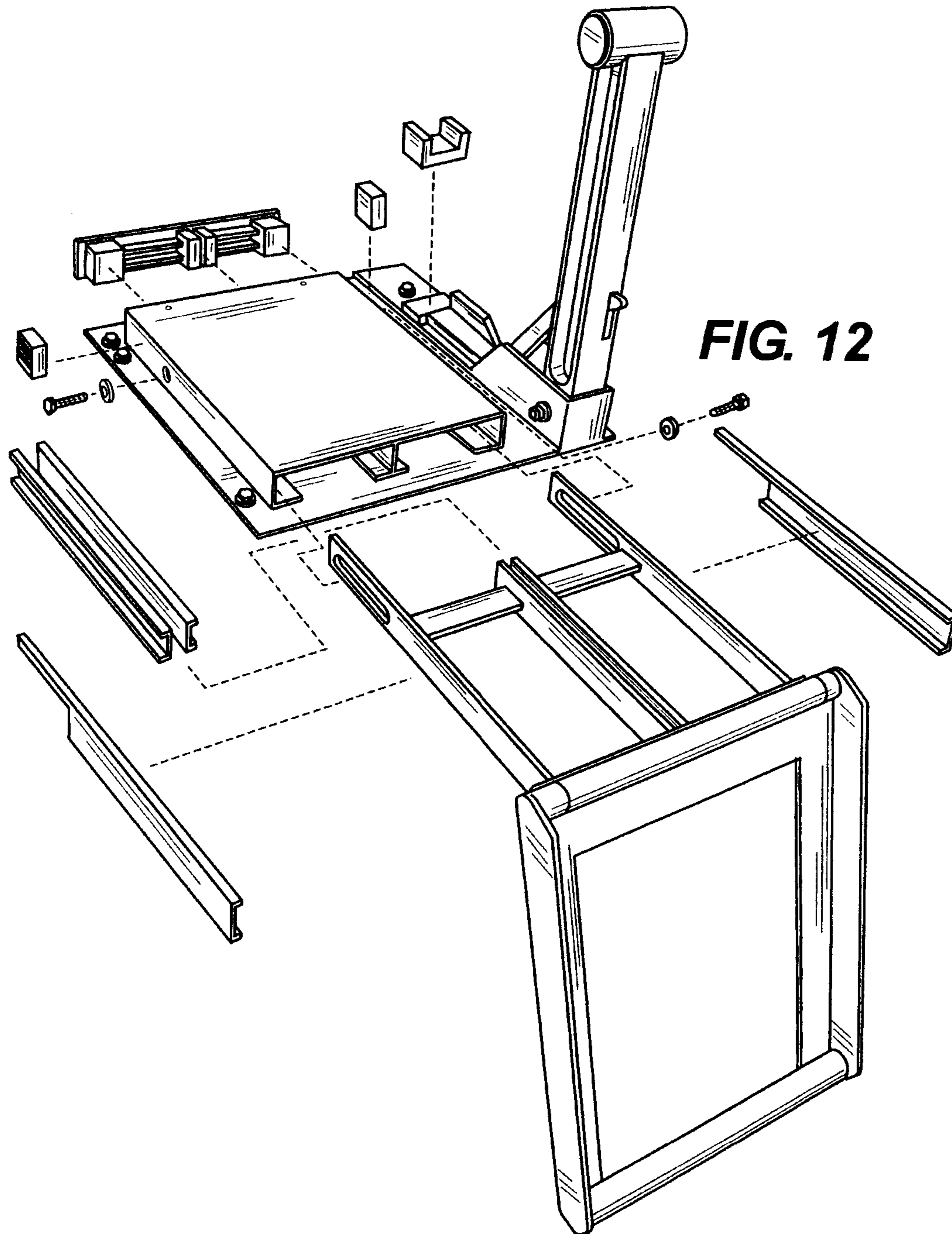


FIG. 12