

US00D593470S

(12) **United States Design Patent**
Duan et al.

(10) **Patent No.:** **US D593,470 S**
(45) **Date of Patent:** **** Jun. 2, 2009**

(54) **CAR DASHBOARD**

(75) Inventors: **Wei Duan**, Shenzhen (CN); **Xin Tan**, Shenzhen (CN); **MinJing Pan**, Shenzhen (CN); **MaoQing Du**, Shenzhen (CN)

(73) Assignee: **BYD Company Limited**, Pingshan, Longgang Shenzhen (CN)

(**) Term: **14 Years**

(21) Appl. No.: **29/326,725**

(22) Filed: **Oct. 23, 2008**

(30) **Foreign Application Priority Data**

Apr. 30, 2008 (CN) 2008 3 0106595

(51) **LOC (9) Cl.** **12-16**

(52) **U.S. Cl.** **D12/192**

(58) **Field of Classification Search** D12/192, D12/415; 180/190; 280/750-752; 296/190.01-190.09, 296/70; D15/17, 28; D10/46, 98, 102-103
See application file for complete search history.

(56) **References Cited**

U.S. PATENT DOCUMENTS

D470,809 S * 2/2003 Asahi et al. D12/192
D493,756 S * 8/2004 Yamamoto et al. D12/192
D494,908 S * 8/2004 Pfeiffer D12/192
D499,998 S * 12/2004 Tanaka et al. D12/192

D512,357 S * 12/2005 Schuttera D12/192
D519,893 S * 5/2006 Kabayama et al. D12/192
D549,628 S * 8/2007 Esaki et al. D12/192
D558,656 S * 1/2008 Tanaka et al. D12/192
D567,161 S * 4/2008 Motozaki et al. D12/192
D570,756 S * 6/2008 Nakajima D12/192
D571,272 S * 6/2008 Esaki et al. D12/192
D577,640 S * 9/2008 Wyszogrod et al. D12/192
D586,714 S * 2/2009 Woodard et al. D12/192

* cited by examiner

Primary Examiner—Stacia Cadmus

(74) *Attorney, Agent, or Firm*—Greenberg Traurig, LLP

(57) **CLAIM**

The ornamental design for a car dashboard, substantially as shown and described.

DESCRIPTION

FIG. 1 is a front view of a car dashboard in accordance with the present design;

FIG. 2 is a rear view of the car dashboard;

FIG. 3 is a left side view of the car dashboard;

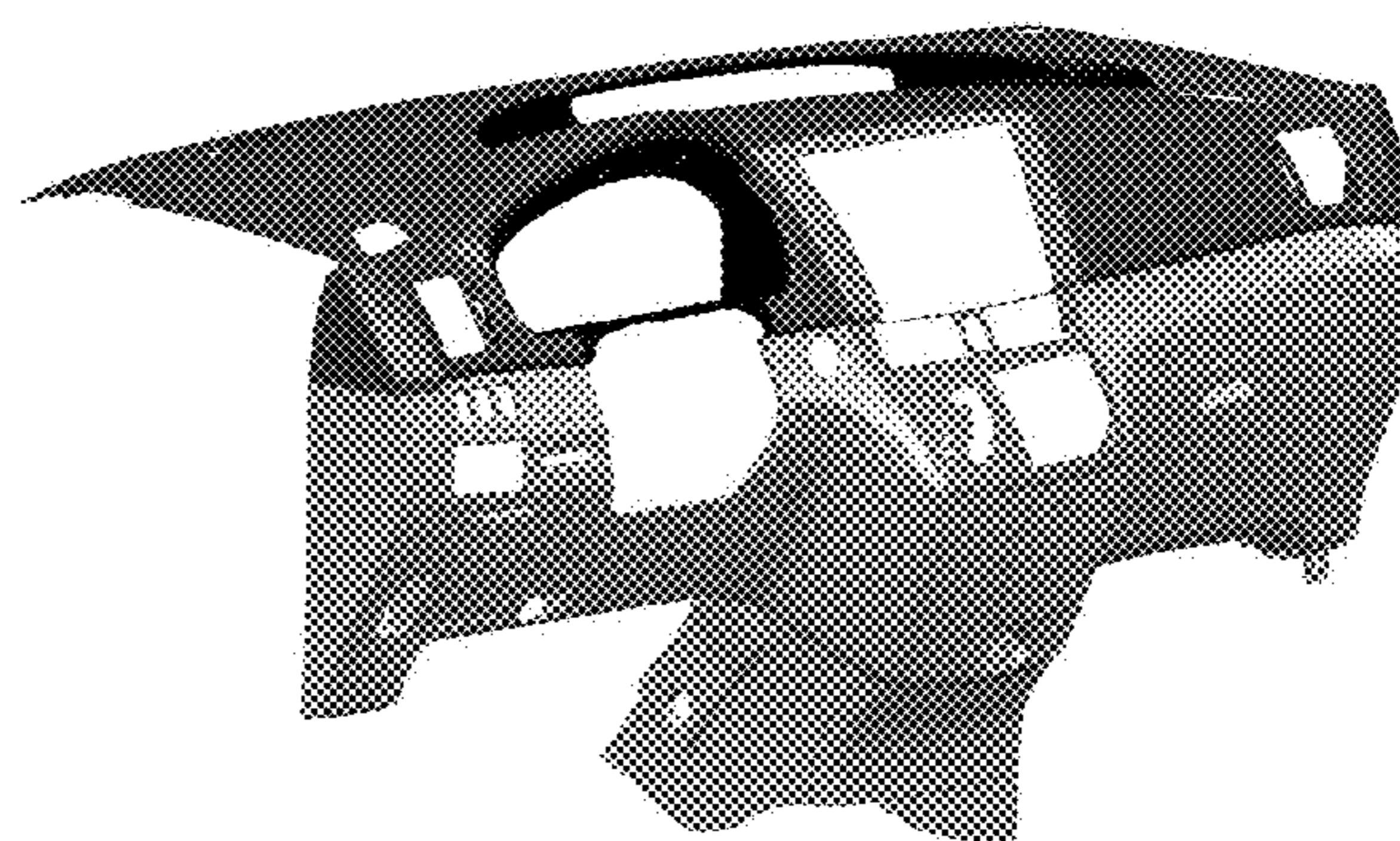
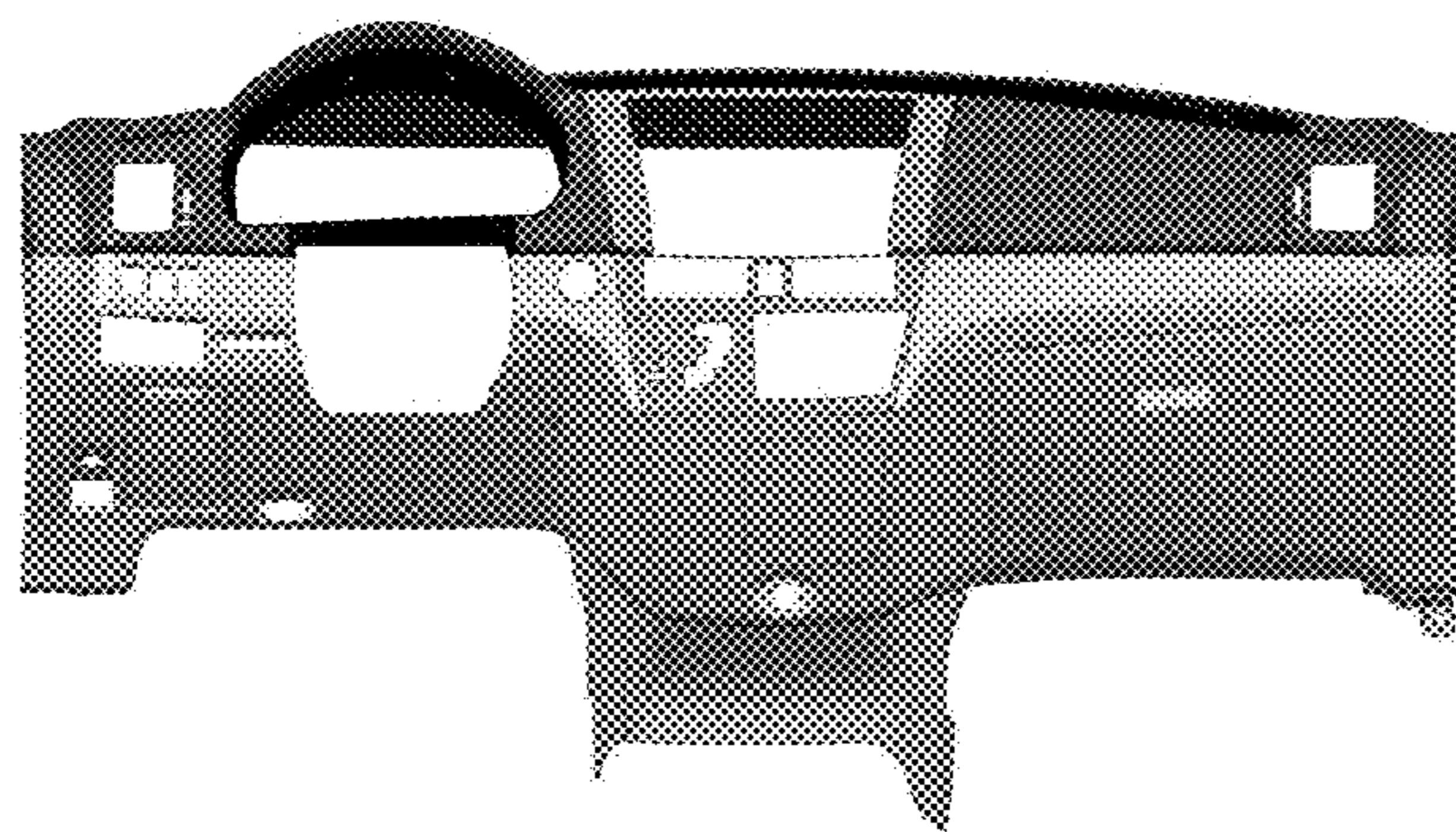
FIG. 4 is a right side view of the car dashboard;

FIG. 5 is a top plan view of the car dashboard;

FIG. 6 is a bottom plan view of the car dashboard; and,

FIG. 7 is a perspective view of the car dashboard.

1 Claim, 4 Drawing Sheets



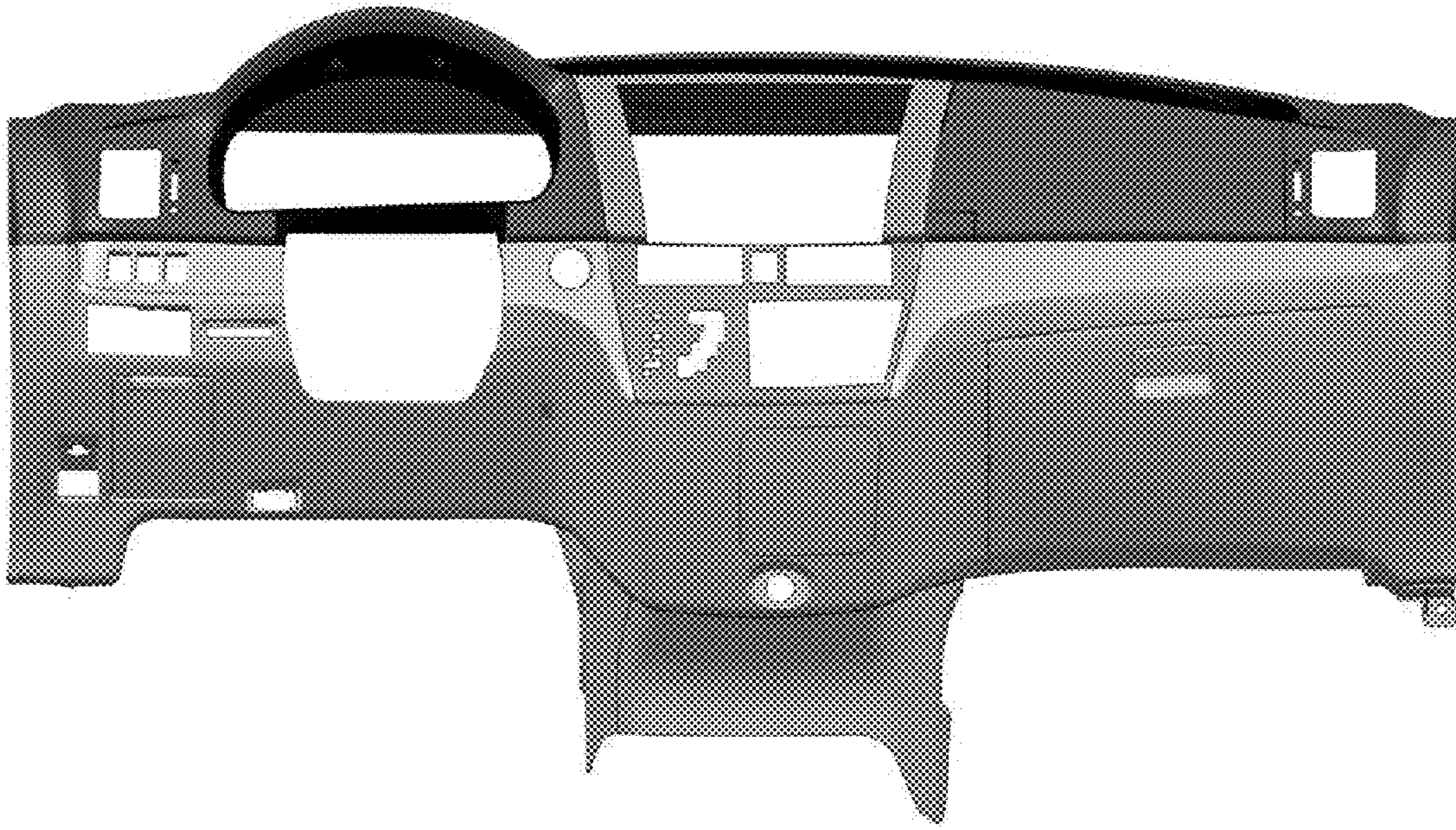


FIG. 1

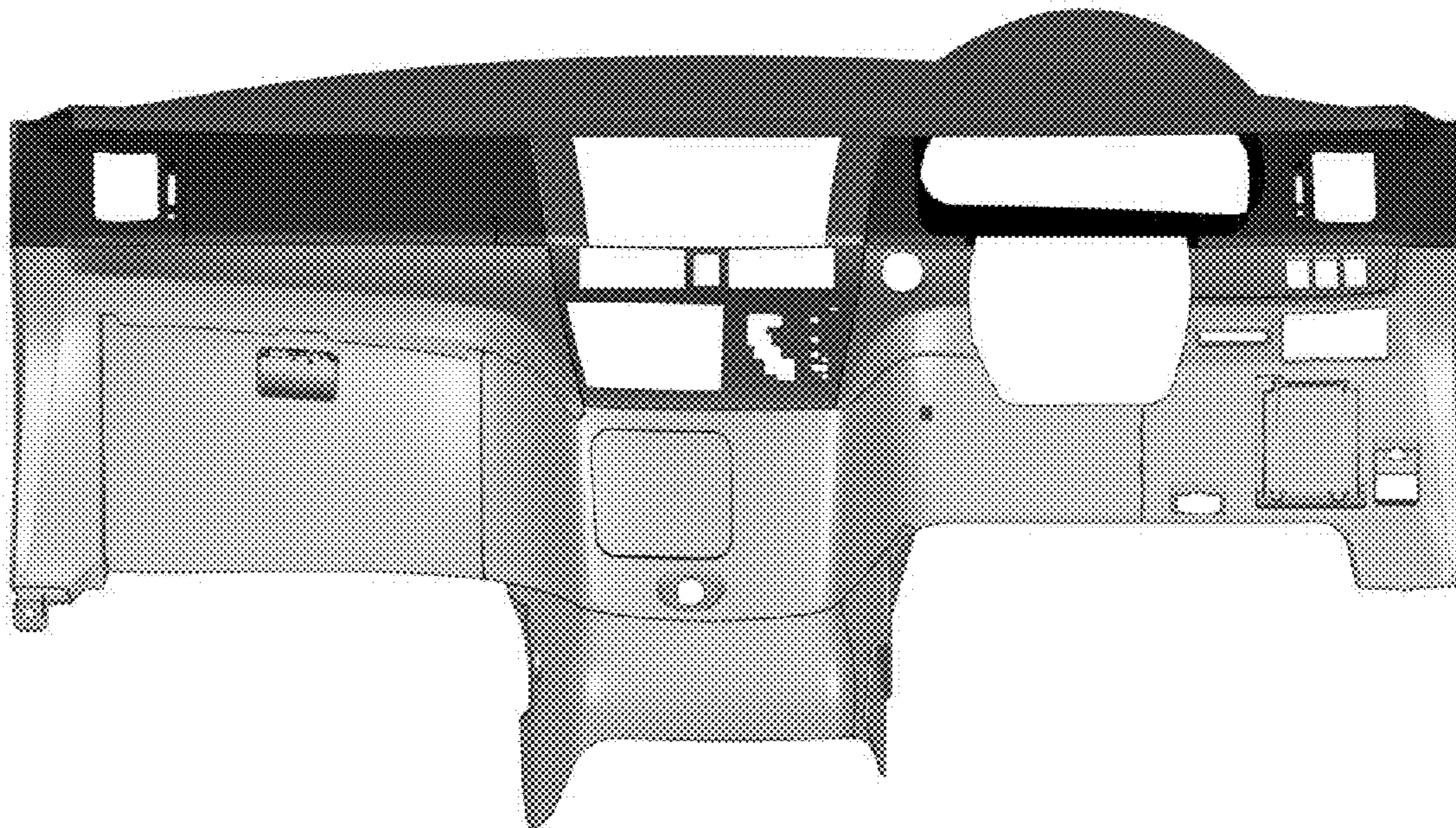


FIG. 2

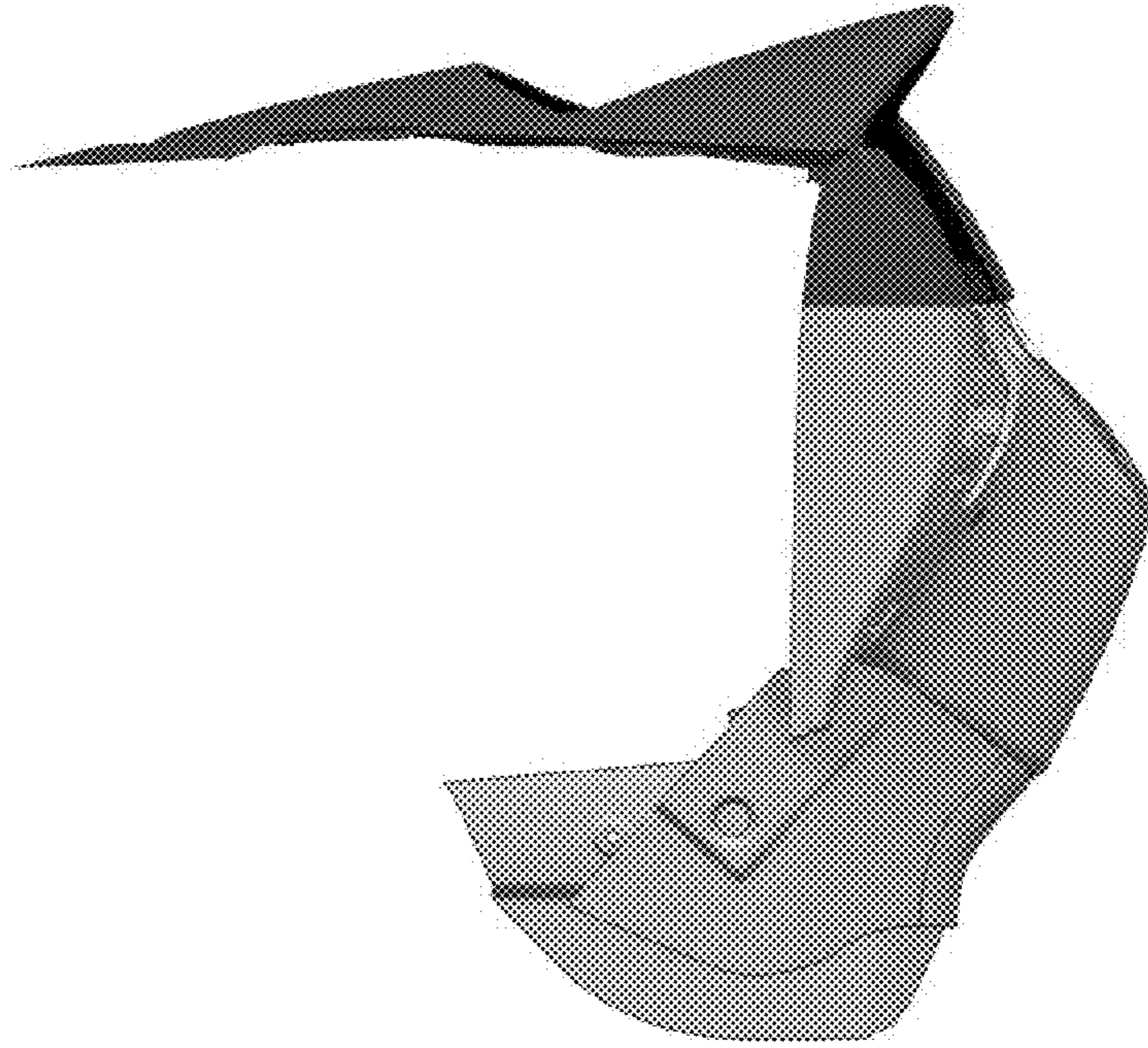


FIG. 3

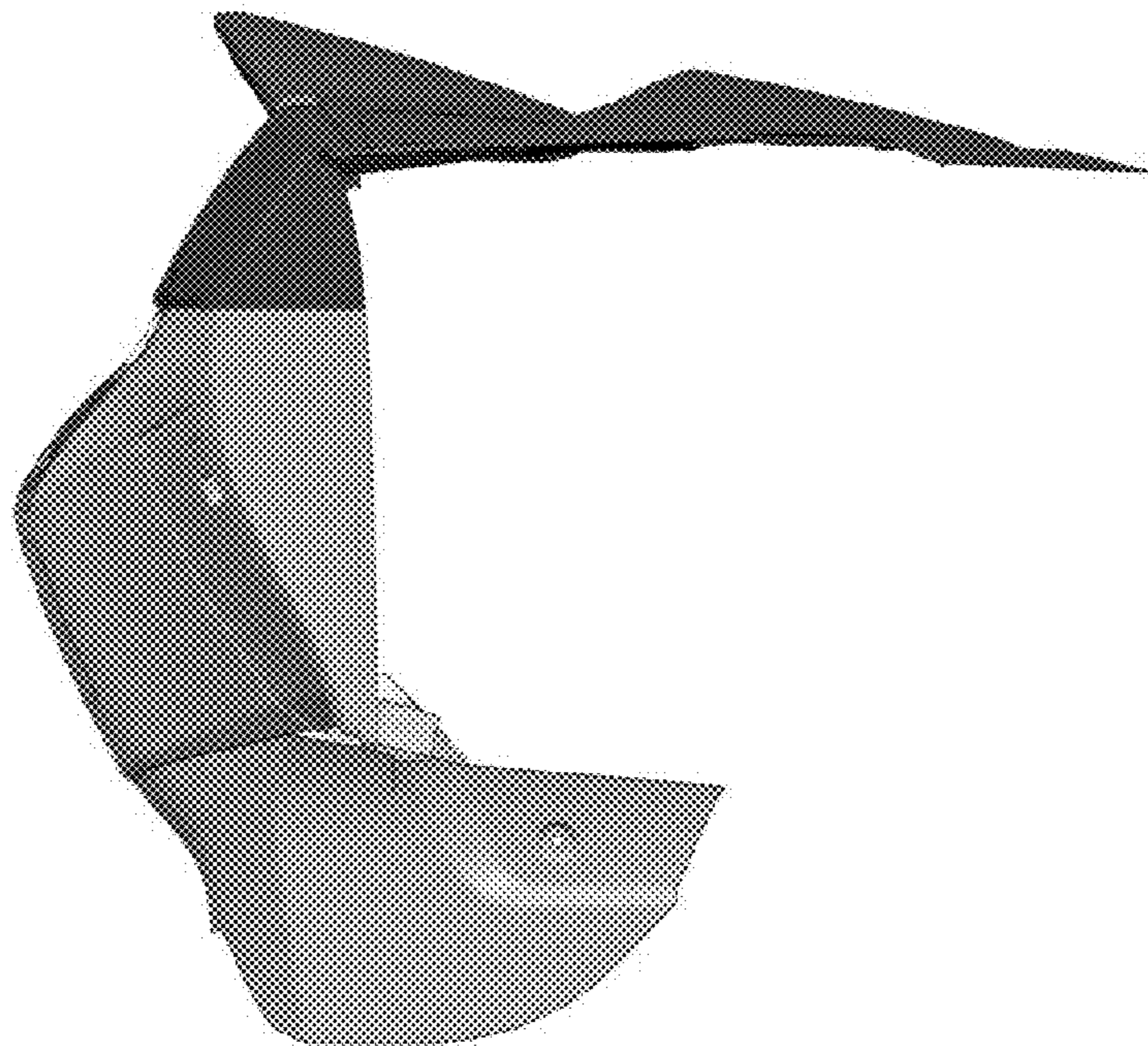


FIG. 4

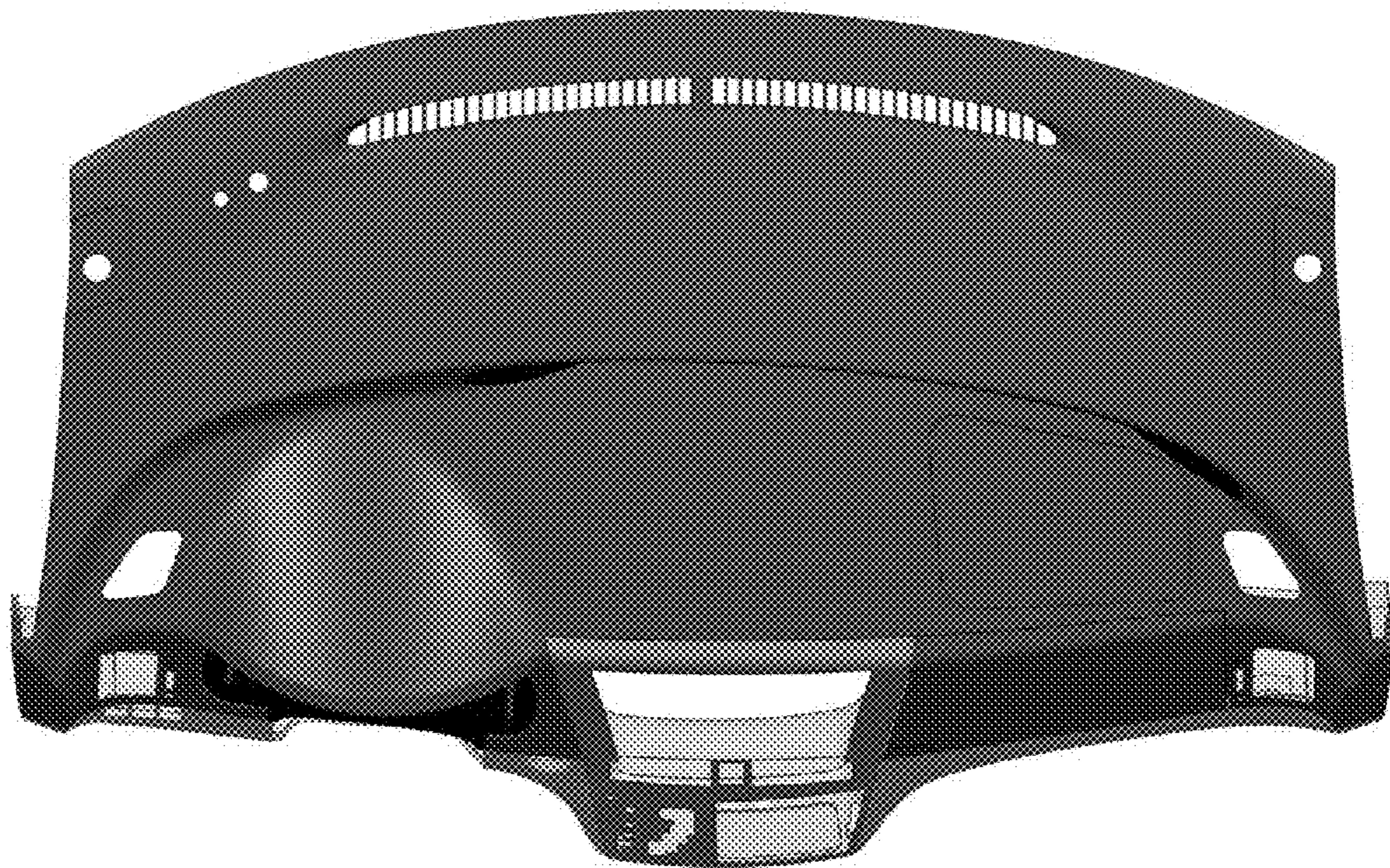


FIG. 5

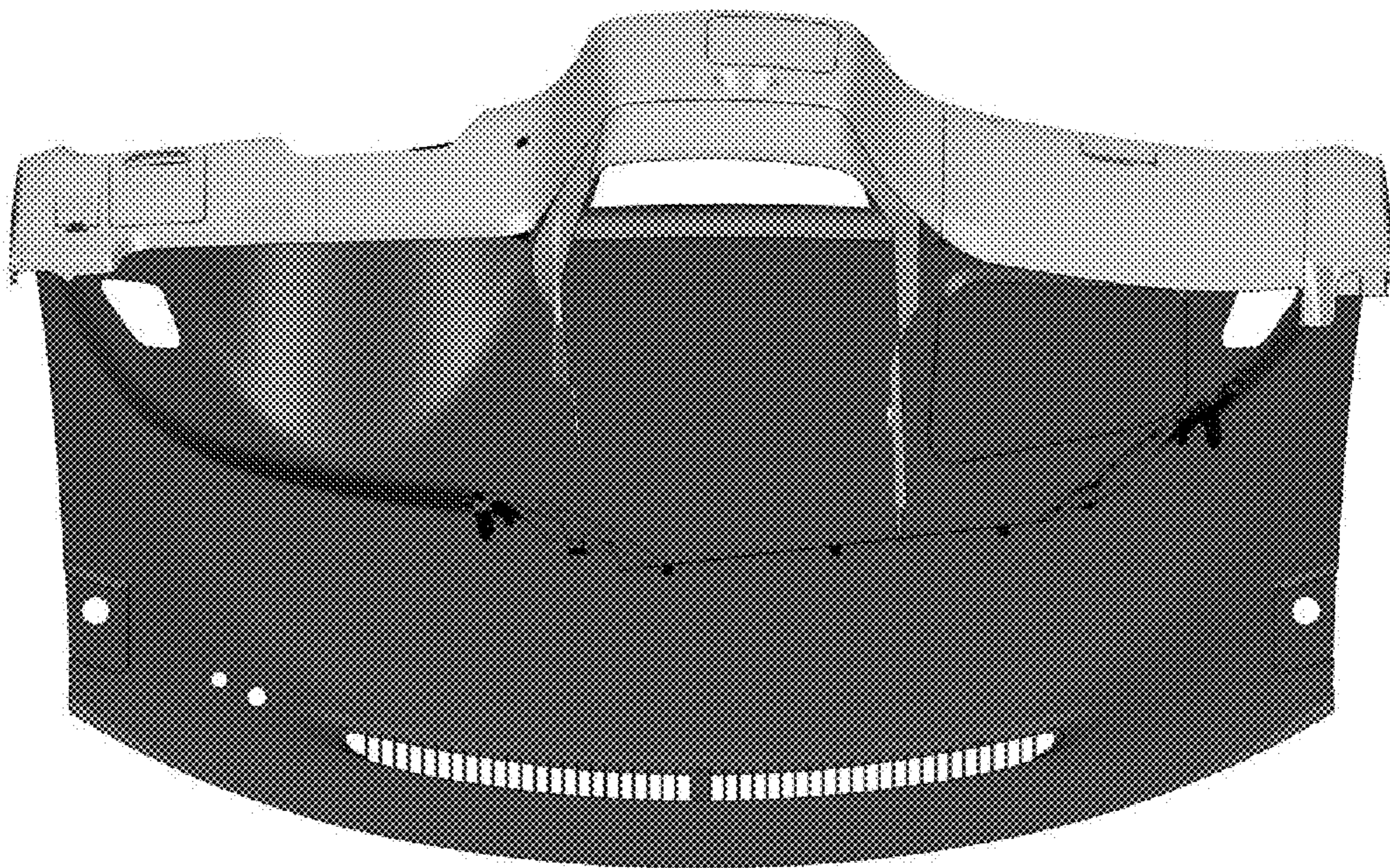


FIG. 6

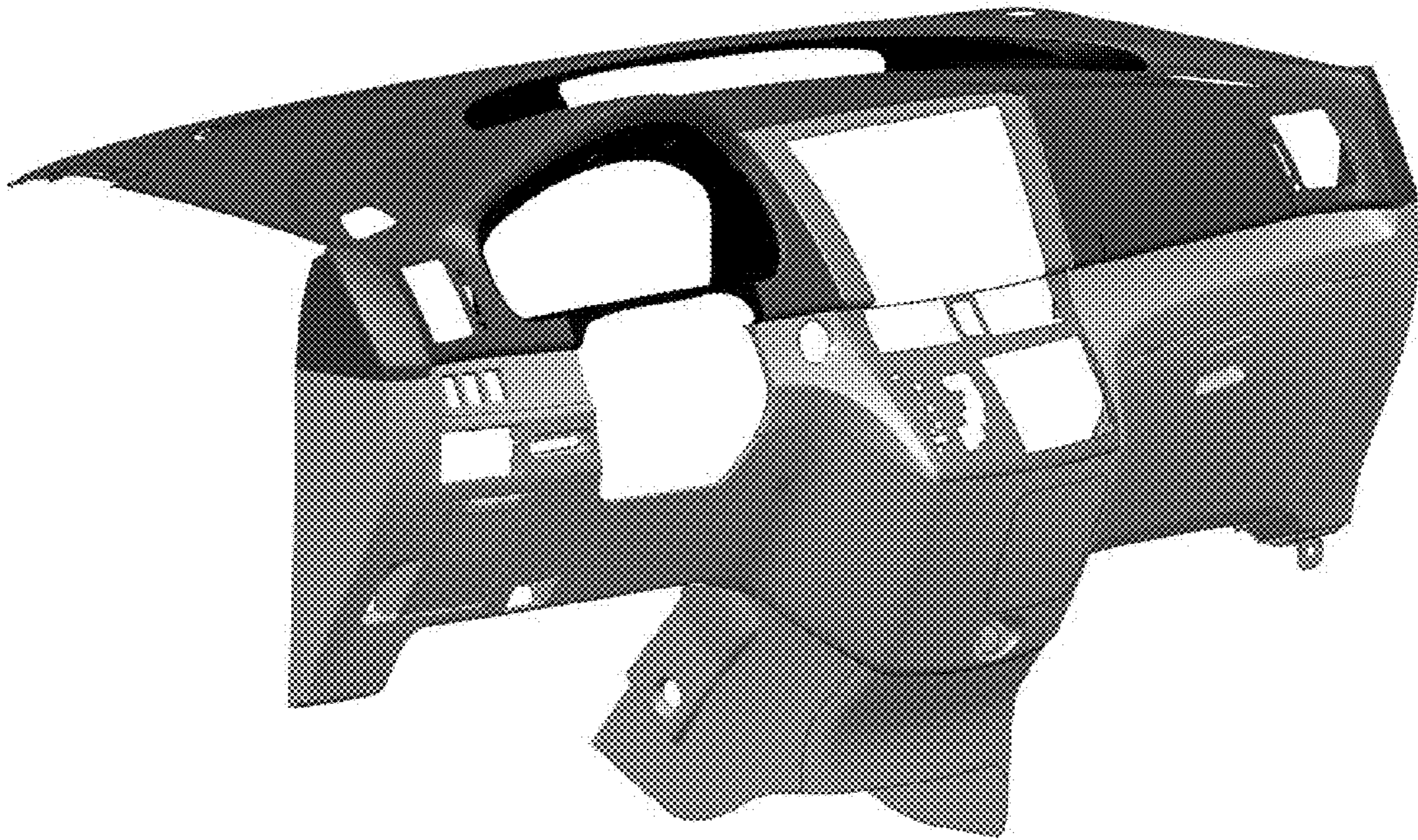


FIG. 7