

US00D593469S

(12) **United States Design Patent**  
**Day et al.**

(10) **Patent No.:** **US D593,469 S**  
(45) **Date of Patent:** **\*\* Jun. 2, 2009**

(54) **DASHBOARD RACING MOUNT**

(75) Inventors: **Gregory E. Day**, Great Falls, VA (US);  
**James J. Tily**, Beltsville, MD (US)

(73) Assignee: **Gauge Works, LLC**, Dulles, VA (US)

(\*\*) Term: **14 Years**

(21) Appl. No.: **29/292,348**

(22) Filed: **Oct. 9, 2007**

(51) **LOC (9) Cl.** ..... **12-16**

(52) **U.S. Cl.** ..... **D12/192**

(58) **Field of Classification Search** ..... D12/192,  
D12/415, 418, 400, 195, 190, 416-419, 421-426.1;  
D10/102, 98, 122-127, 46; D15/17, 28;  
D14/113, 124, 126, 129, 132, 133, 100;  
296/190.02-190.09, 190, 191, 70, 929, 534;  
224/311, 539; 248/309.1; 180/90; 280/750-752;  
D23/327; 454/155; 16/110.1  
See application file for complete search history.

(56) **References Cited**

**U.S. PATENT DOCUMENTS**

D54,140 S *	11/1919	Smith	.....	D12/192
D375,477 S *	11/1996	Kulla et al.	.....	D12/192
D413,294 S *	8/1999	Lagaay	.....	D12/192
D436,565 S *	1/2001	Tsay et al.	.....	D12/192
D475,956 S *	6/2003	Juraschek et al.	.....	D12/192
D476,276 S	6/2003	Day		
D480,341 S	10/2003	Day		
D484,081 S	12/2003	Day		
D486,435 S	2/2004	Day et al.		
D491,504 S *	6/2004	Sato et al.	.....	D12/192
D491,825 S	6/2004	Day et al.		
D492,213 S	6/2004	Day et al.		
D496,617 S	9/2004	Day et al.		
D499,367 S *	12/2004	Sauter et al.	.....	D12/192
D502,907 S *	3/2005	Chao	.....	D12/192
D504,371 S *	4/2005	Chao	.....	D12/192
D504,643 S *	5/2005	Chao	.....	D12/192
D504,644 S *	5/2005	Chao	.....	D12/192

D504,856 S *	5/2005	Chao	.....	D12/192
D505,101 S *	5/2005	Juraschek	.....	D12/192
D514,994 S	2/2006	Day		
D529,423 S *	10/2006	Yu et al.	.....	D12/192
D529,847 S *	10/2006	Montijo et al.	.....	D12/192
D531,557 S *	11/2006	Weideman	.....	D12/192
D534,628 S *	1/2007	Chisenhall	.....	D23/324
D538,694 S *	3/2007	Rake	.....	D10/103
D542,722 S	5/2007	Day et al.		
7,243,882 B2	7/2007	Day et al.		
D549,627 S *	8/2007	Esaki	.....	D12/192
D557,646 S *	12/2007	Portelance	.....	D12/192
D562,748 S *	2/2008	Tanaka et al.	.....	D12/192
D563,298 S *	3/2008	Cardellini	.....	D12/192
2006/0124815 A1 *	6/2006	Day et al.	.....	248/309.1

\* cited by examiner

*Primary Examiner*—Caron Veynar  
*Assistant Examiner*—George D Kirschbaum  
(74) *Attorney, Agent, or Firm*—Williams Mullen, P.C.;  
Thomas F. Bergert

(57) **CLAIM**

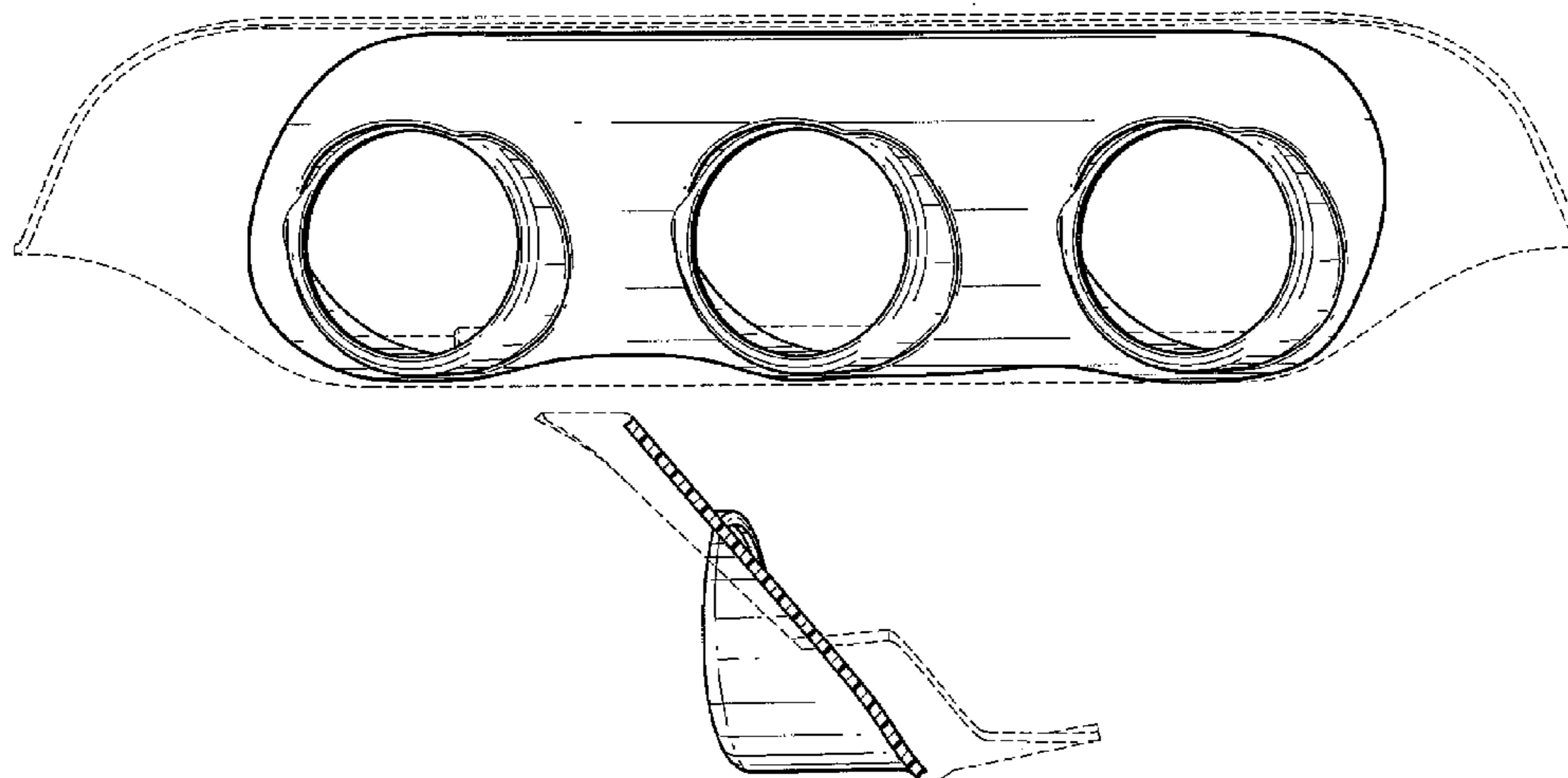
The ornamental design for a dashboard racing mount, as shown and described.

**DESCRIPTION**

FIG. 1 is a bottom elevational view of the dashboard racing mount showing our new design;  
FIG. 2 is a right side elevational view thereof;  
FIG. 3 is a bottom plan view thereof;  
FIG. 4 is a left side elevational view thereof;  
FIG. 5 is top plan view thereof;  
FIG. 6 is a rear elevational view thereof; and,  
FIG. 7. is a bottom right front perspective view thereof.

The broken line showing of a dashboard racing mount extension is for illustrative purposes only and forms no part of the claimed design.

**1 Claim, 6 Drawing Sheets**



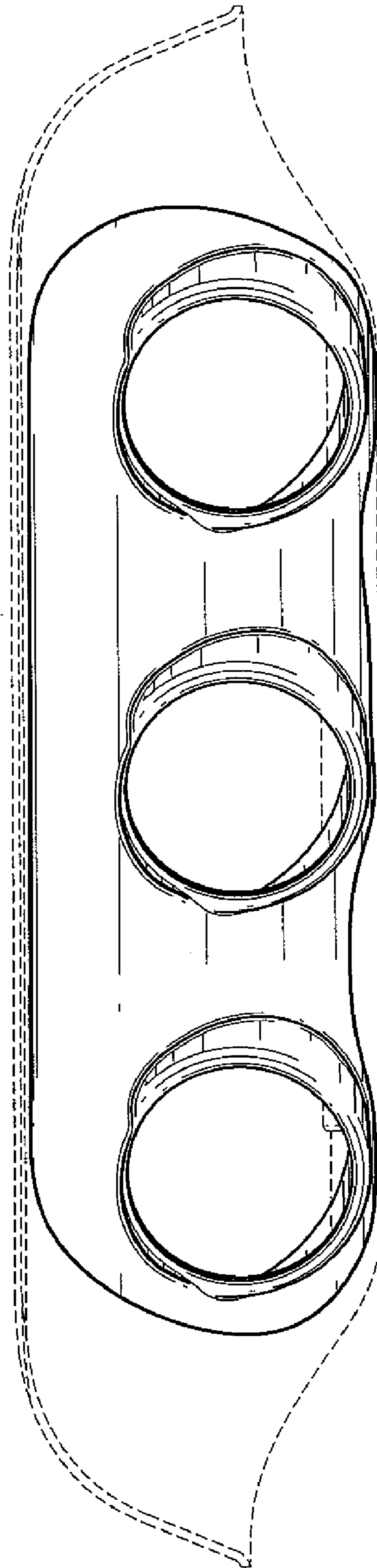


FIG. 1

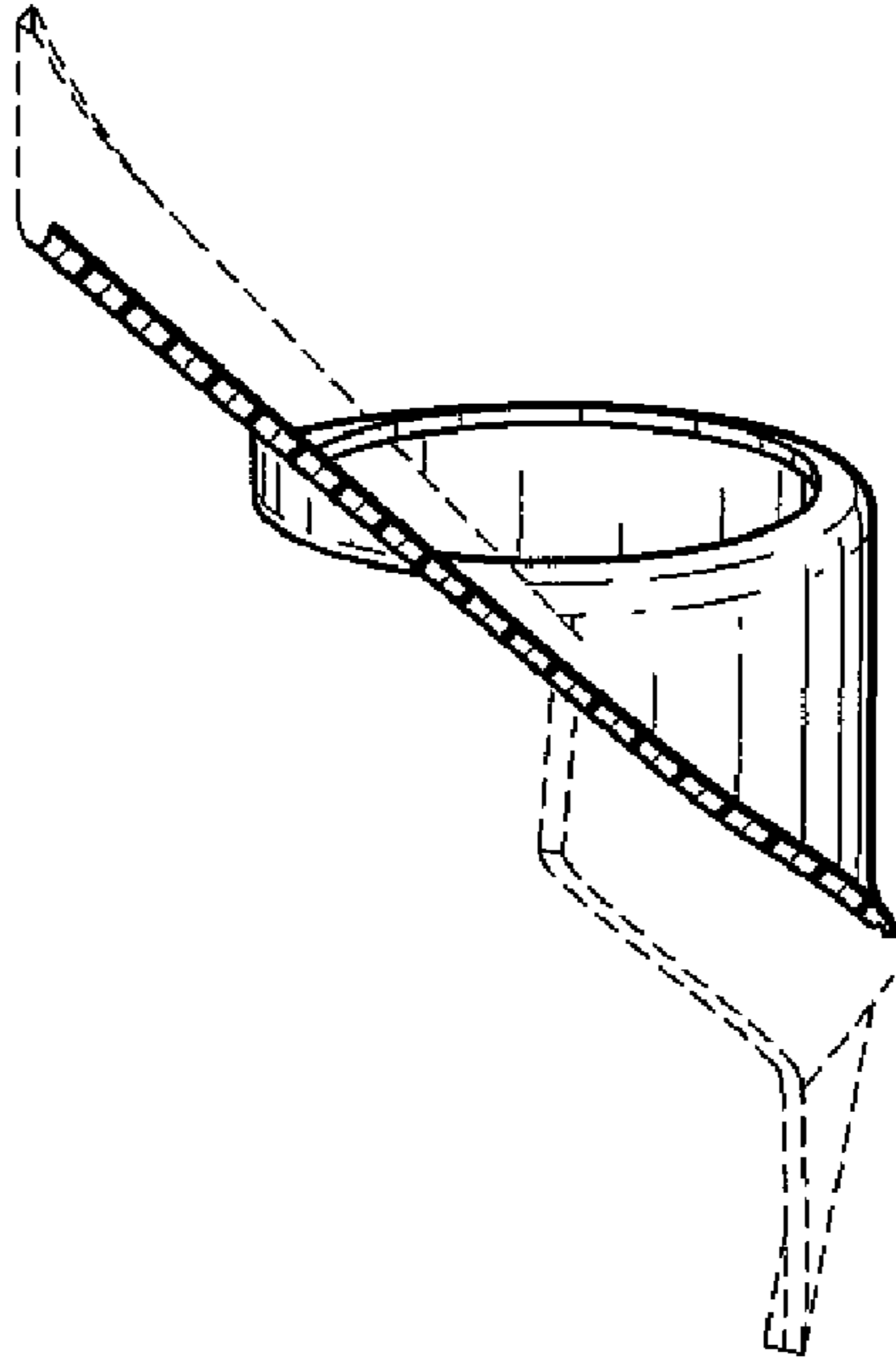


FIG. 4

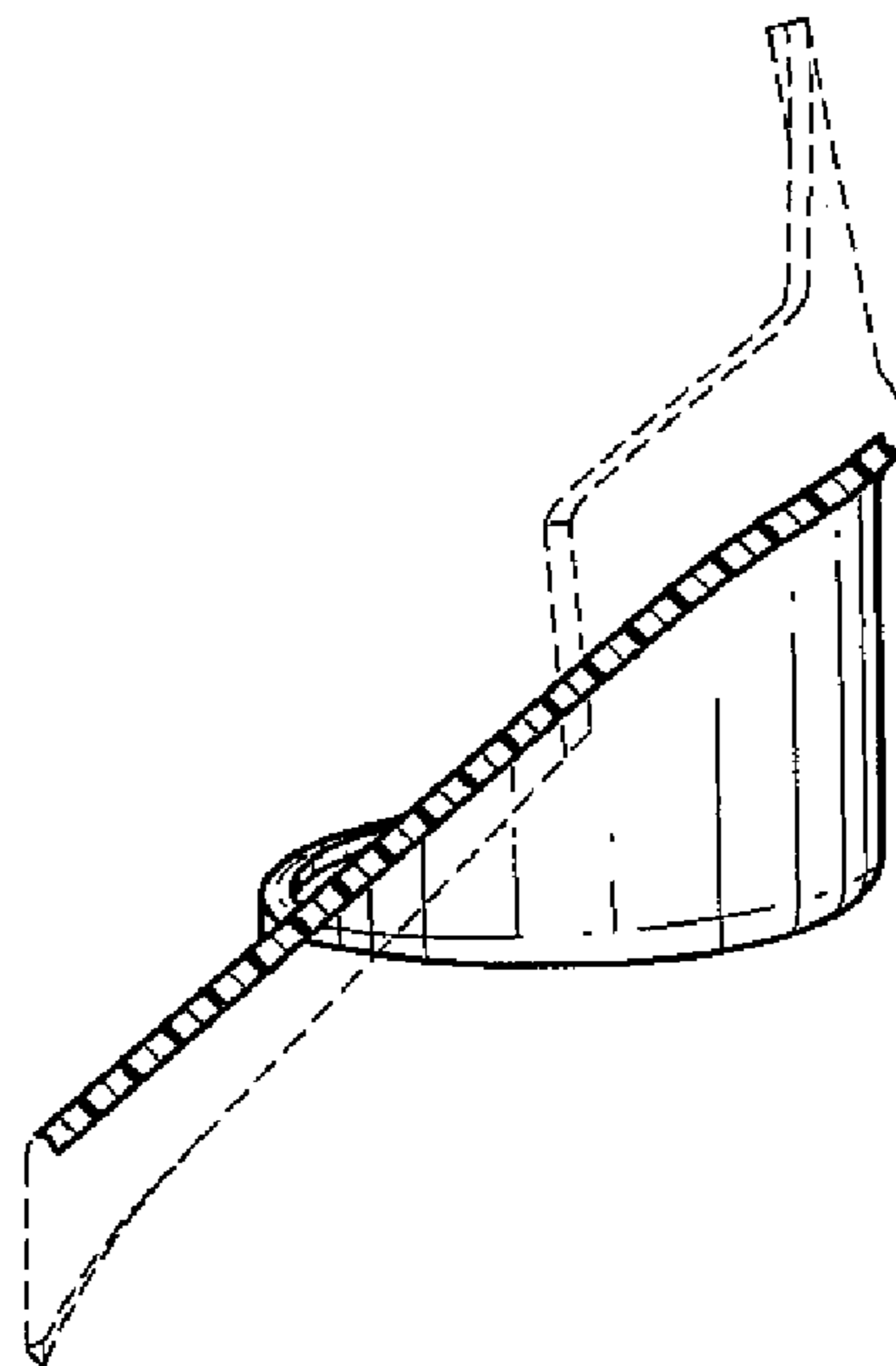


FIG. 2

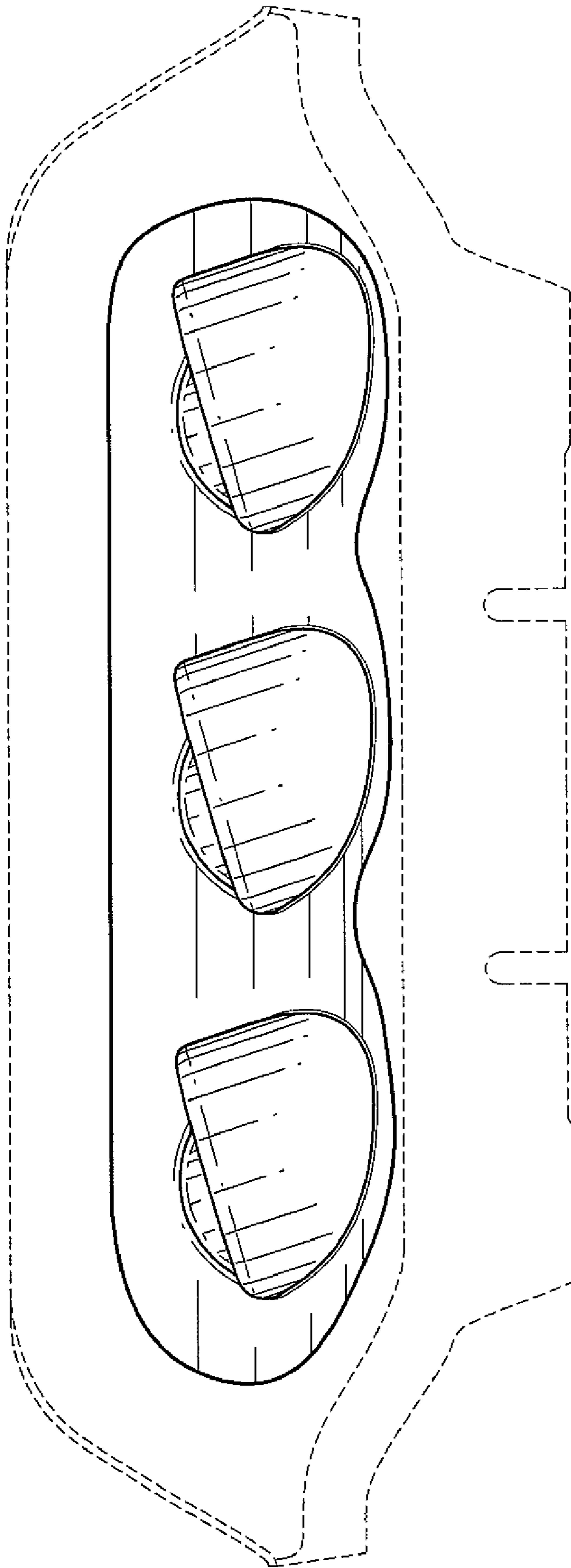


FIG. 3

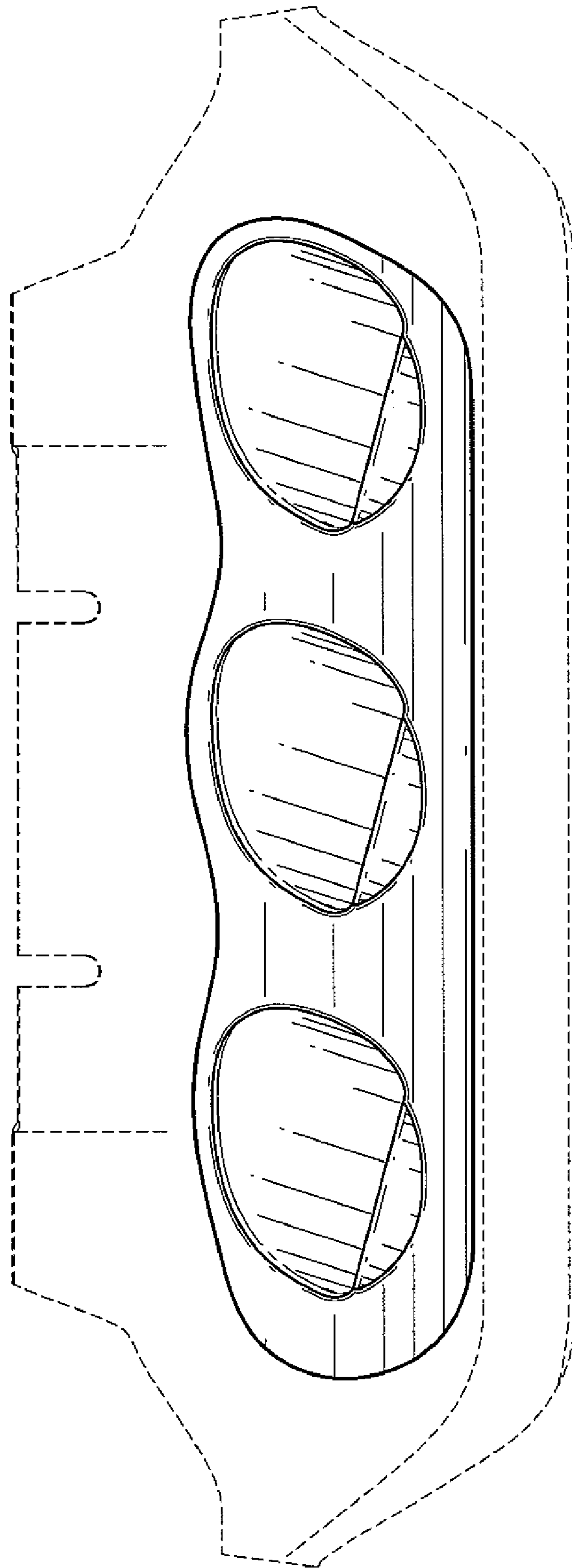


FIG. 5

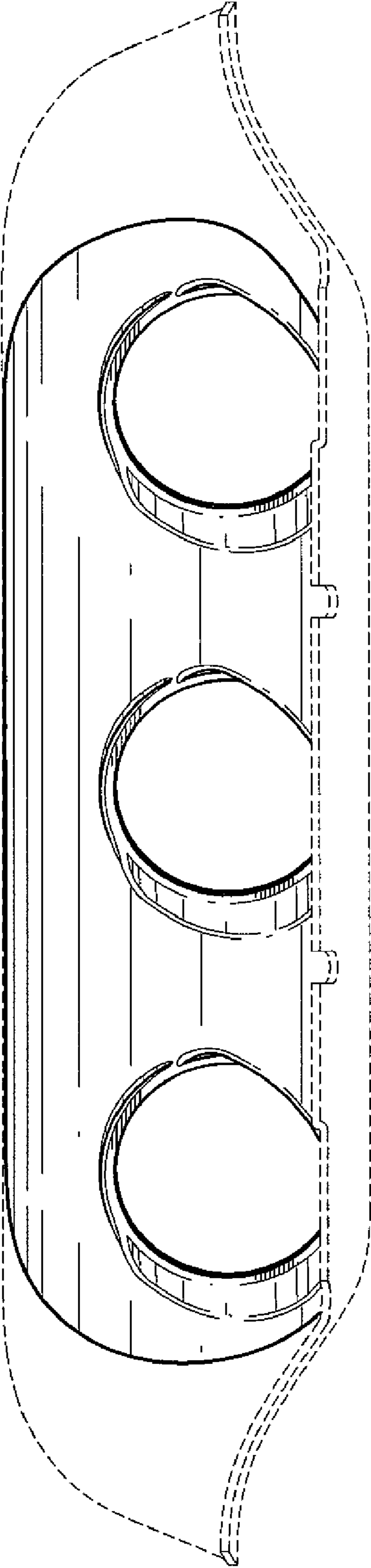


FIG.6

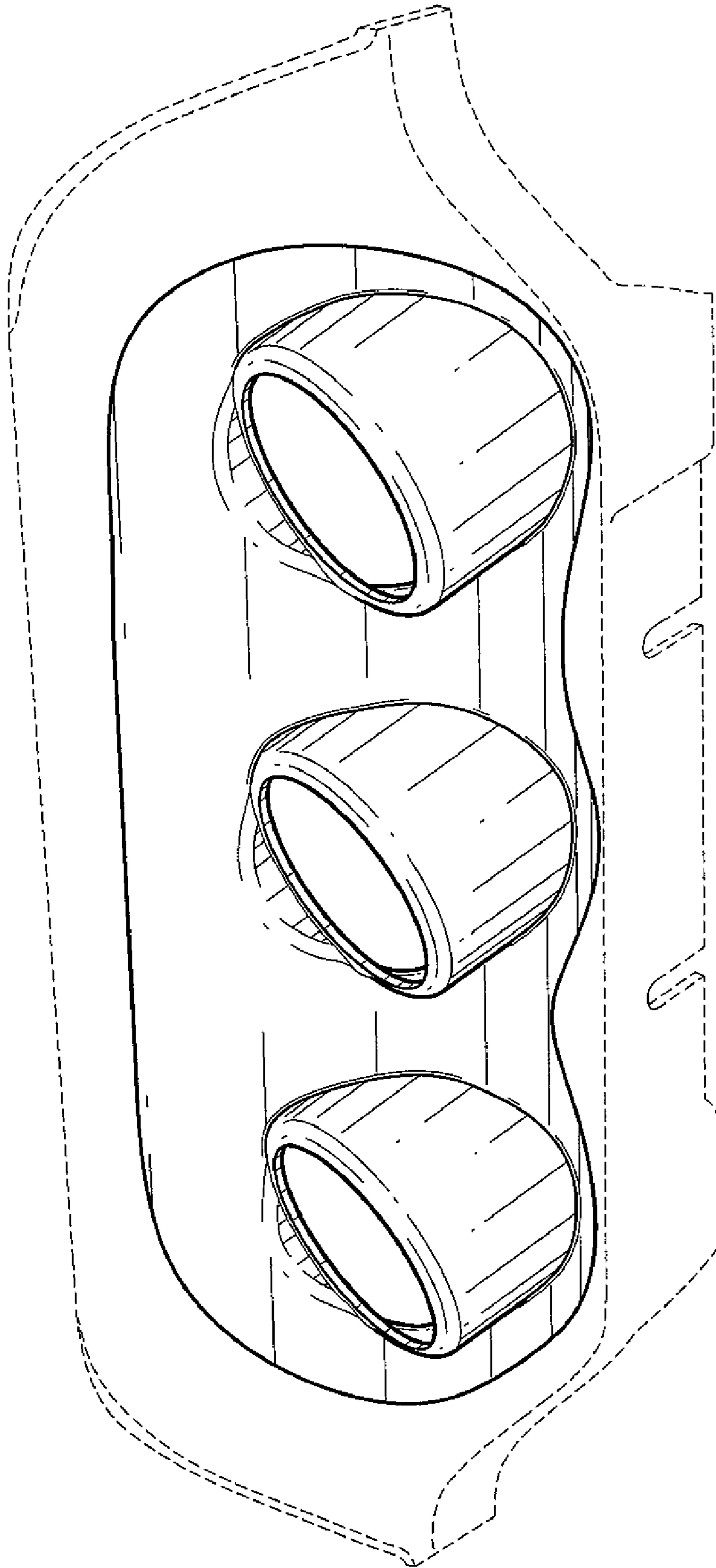


FIG. 7