



US00D593468S

(12) **United States Design Patent**  
**Wagner et al.**

(10) **Patent No.:** **US D593,468 S**

(45) **Date of Patent:** **\*\* Jun. 2, 2009**

(54) **VEHICLE MIRROR**

2008/0218888 A1\* 9/2008 Sho et al. .... 359/877  
2008/0247068 A1\* 10/2008 Wakabayashi ..... 359/871

(75) Inventors: **Lance R. Wagner**, Lake Orion, MI  
(US); **Mark C. Trostle**, Clarkston, MI  
(US); **Ryan C. Nagode**, West  
Bloomfield, MI (US)

\* cited by examiner

*Primary Examiner*—Antoine D Davis  
(74) *Attorney, Agent, or Firm*—Ralph E. Smith

(73) Assignee: **Chrysler LLC**, Auburn Hills, MI (US)

(57) **CLAIM**

(\*\*) Term: **14 Years**

The ornamental design for a vehicle mirror, as shown and described.

(21) Appl. No.: **29/323,440**

(22) Filed: **Aug. 26, 2008**

**DESCRIPTION**

**Related U.S. Application Data**

(63) Continuation-in-part of application No. 29/302,967,  
filed on Jan. 29, 2008.

FIG. 1 is a front perspective view of a vehicle mirror showing  
our new design;

(51) **LOC (9) Cl.** ..... **12-16**

(52) **U.S. Cl.** ..... **D12/187**

FIG. 2 is a front view thereof;

FIG. 3 is a rear view thereof;

(58) **Field of Classification Search** ..... D12/187;

359/383, 841, 843, 844, 868, 871, 872, 877,

359/604, 881, 514, 866; 248/475.1, 479-483

See application file for complete search history.

FIG. 4 is a top view thereof;

FIG. 5 is a bottom view thereof; and,

FIG. 6 is a side view thereof, the opposite side being a mirror  
image thereof.

It will be understood that the broken lines presented in the  
drawings are for illustration only, and do not form a part of the  
claimed design.

(56) **References Cited**

U.S. PATENT DOCUMENTS

D578,047 S \* 10/2008 Kaoud et al. .... D12/187

**1 Claim, 6 Drawing Sheets**

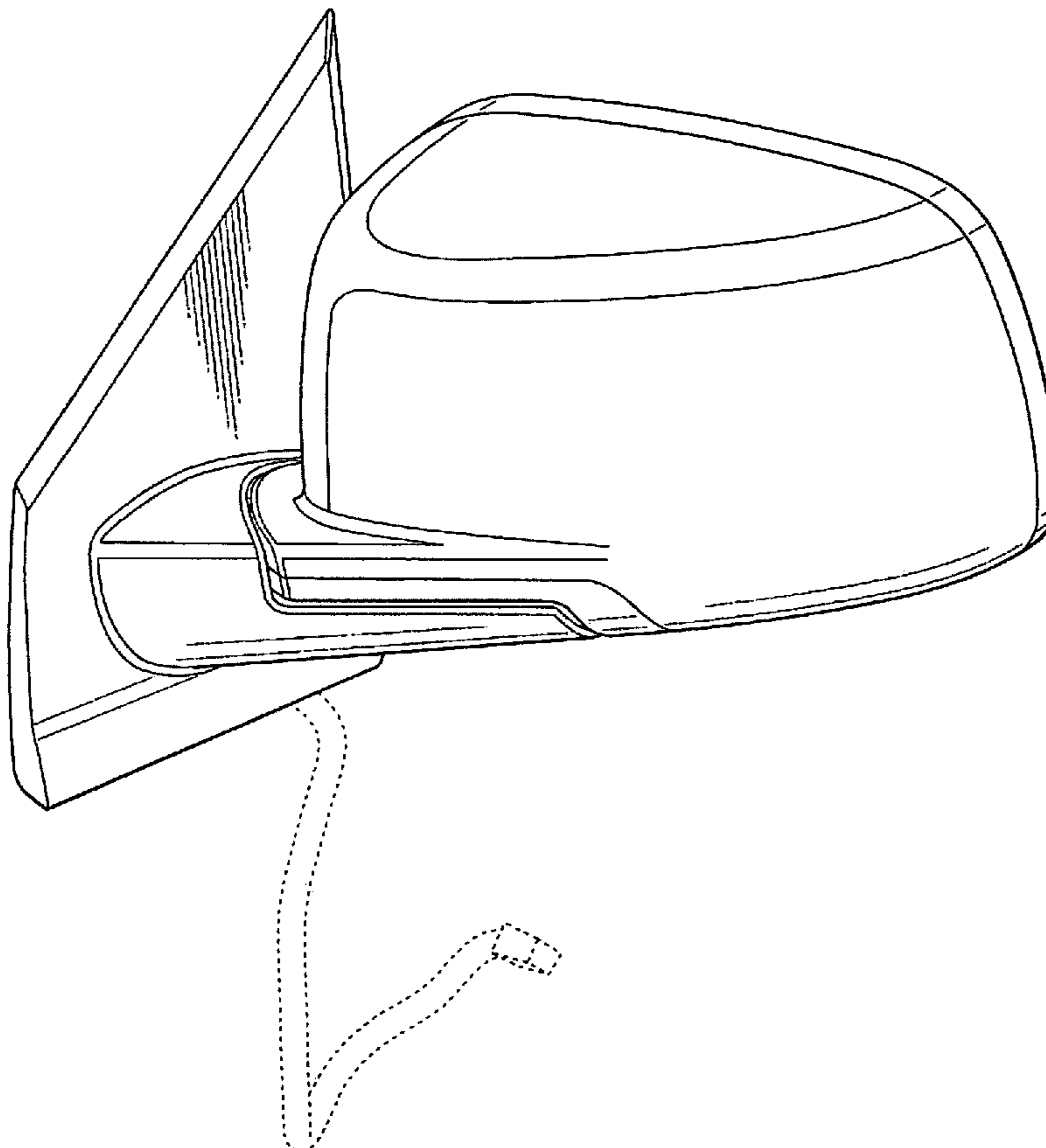
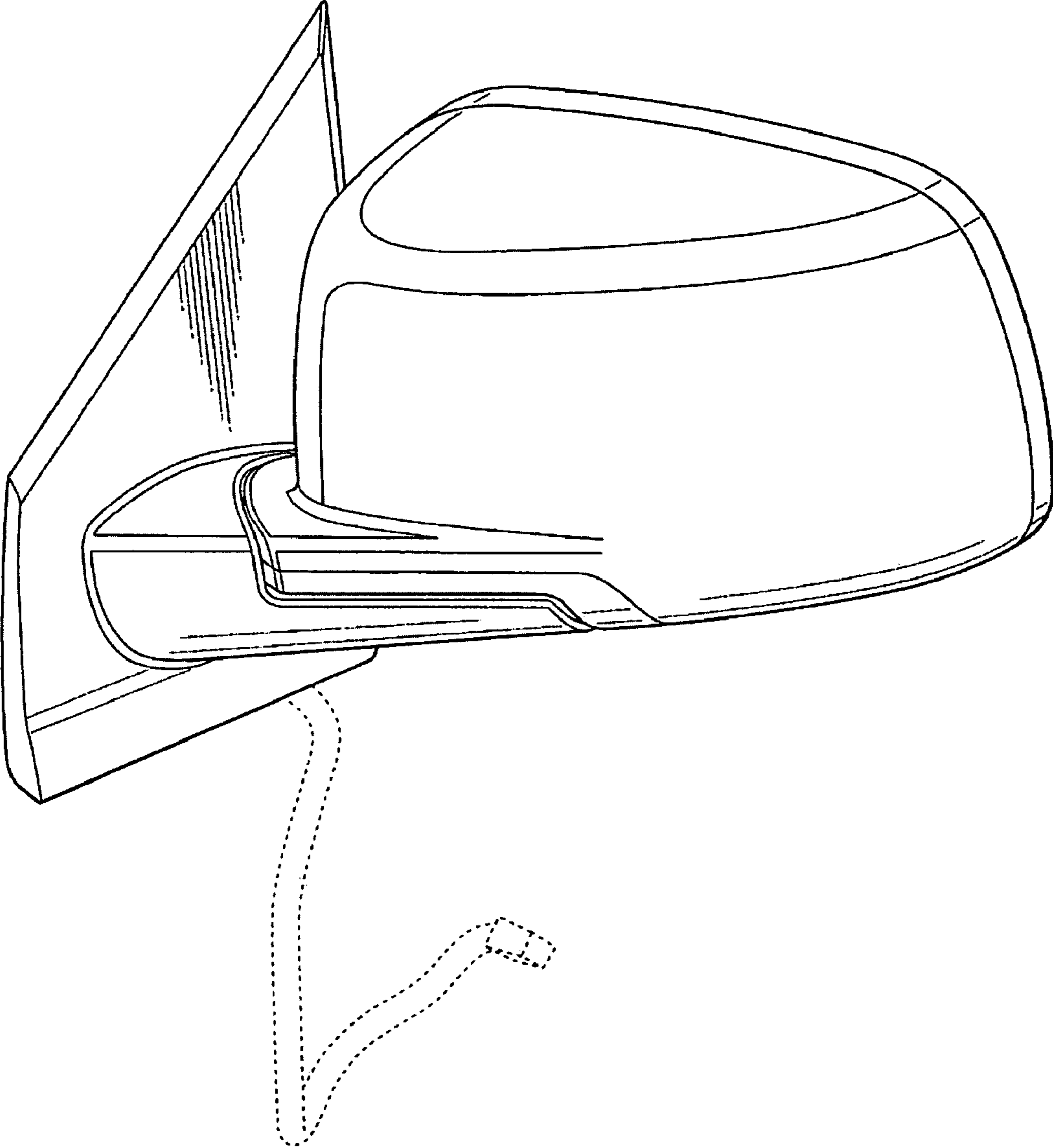


FIG. 1



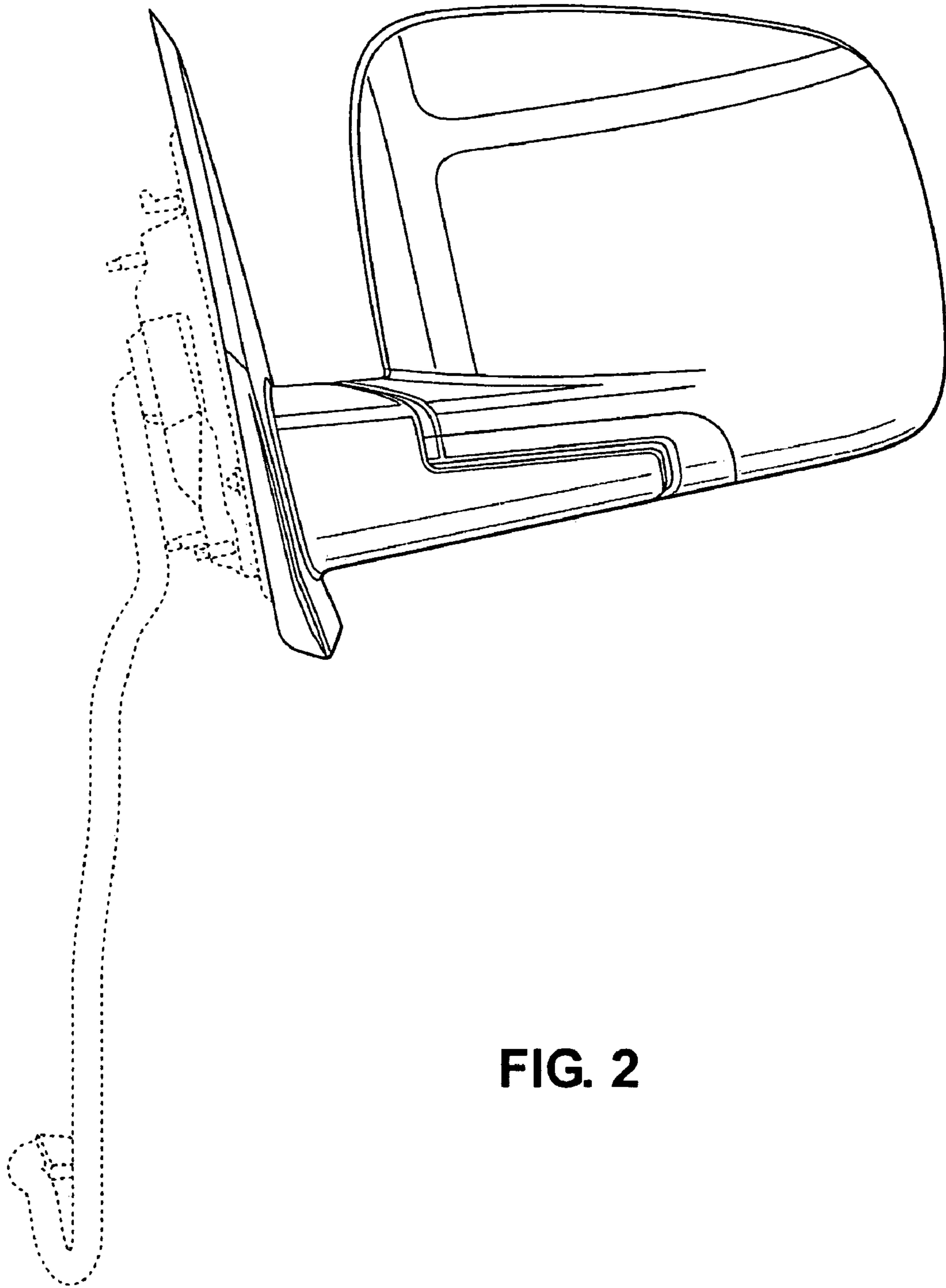
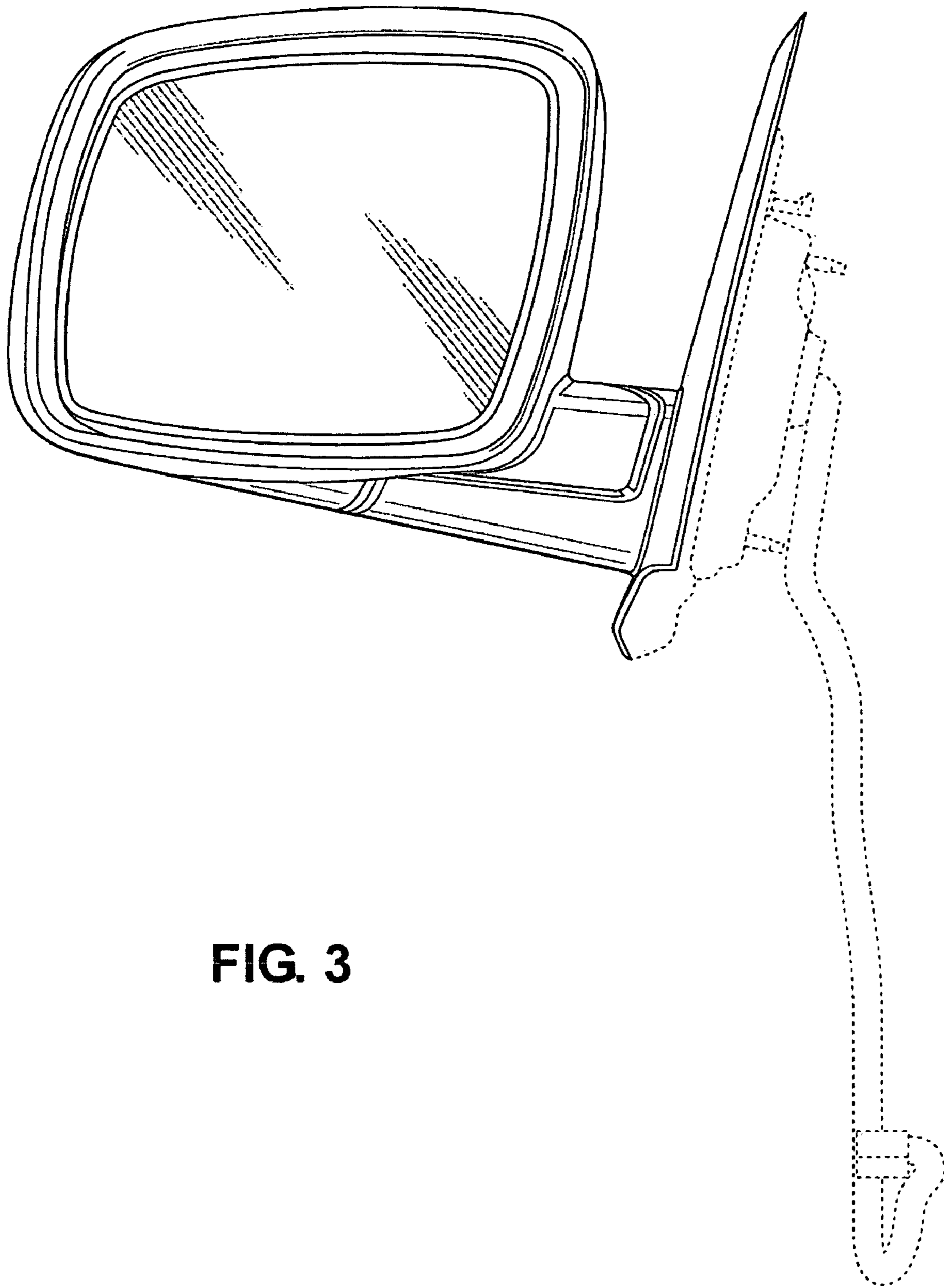
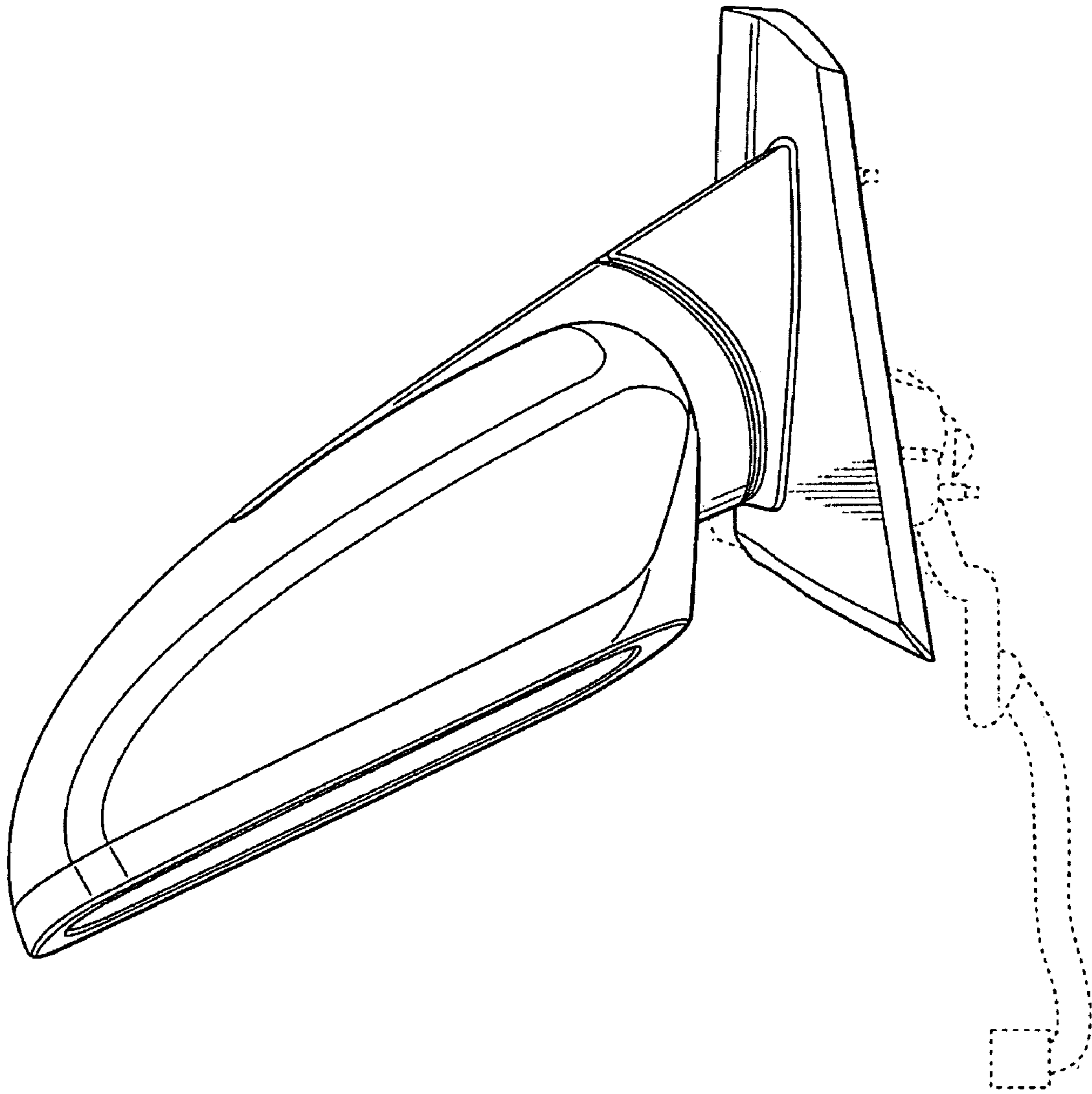


FIG. 2

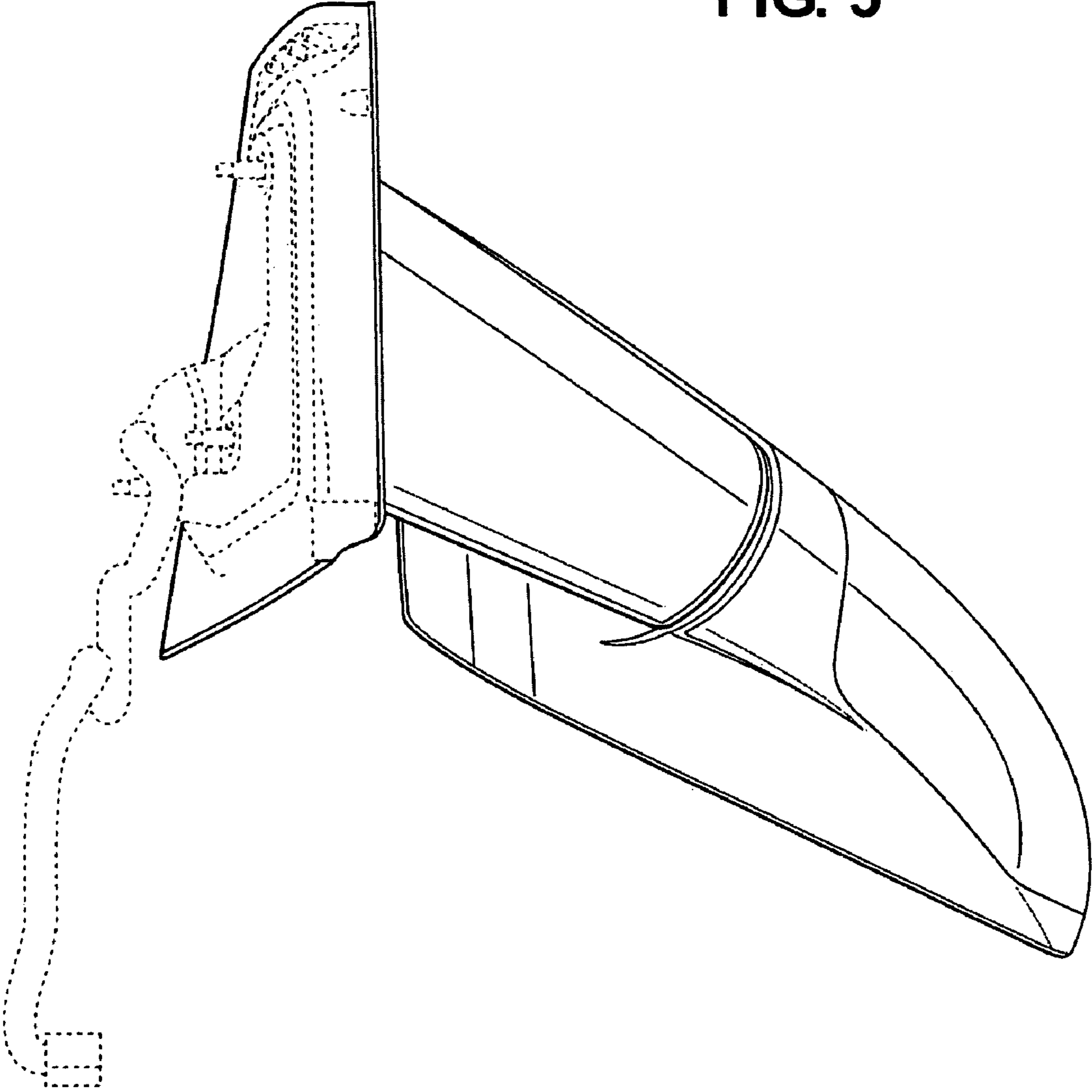


**FIG. 3**

**FIG. 4**



**FIG. 5**



**FIG. 6**

