



US00D593463S

(12) **United States Design Patent**  
**Mentis**

(10) **Patent No.:** **US D593,463 S**

(45) **Date of Patent:** **\*\* Jun. 2, 2009**

(54) **ATTACHMENT FOR A HANDLEBAR**

(76) Inventor: **Roy Mentis**, 8 Mentis Avenue,  
Bedfordview (ZA) 2007

(\*\*) Term: **14 Years**

(21) Appl. No.: **29/283,345**

(22) Filed: **Aug. 10, 2007**

(30) **Foreign Application Priority Data**

Feb. 12, 2007 (ZA) ..... A2007/00205

(51) **LOC (9) Cl.** ..... **12-11**

(52) **U.S. Cl.** ..... **D12/178**

(58) **Field of Classification Search** ..... D12/110,  
D12/114, 174, 178; 74/555.1-551.9, 488,  
74/488 R, 489, 625; 180/219, 333, 321,  
180/220, 170, 178, 179, 335; 200/4, 61.27,  
200/61.54, 157, 293.1, 553, 310, 313, 314;  
D8/80, 94, 107, 303; 280/288.4

See application file for complete search history.

(56) **References Cited**

**U.S. PATENT DOCUMENTS**

604,216 A \* 5/1898 Raczek ..... 74/551.9

604,371 A \* 5/1898 Cook ..... 74/551.4

643,644 A \* 2/1900 Gaylor ..... 74/551.9

4,232,565 A \* 11/1980 Leonheart ..... 74/489  
D278,593 S \* 4/1985 MacGregor ..... D8/83  
D383,660 S \* 9/1997 Anderson ..... D8/83  
D443,851 S \* 6/2001 Miller ..... D12/174  
D452,423 S \* 12/2001 Shimansky ..... D8/83  
6,434,793 B1 \* 8/2002 Ensson ..... 16/421  
D534,843 S \* 1/2007 Higashi ..... D12/174  
D556,007 S \* 11/2007 Hung ..... D8/107

\* cited by examiner

*Primary Examiner*—Cathron C Brooks

*Assistant Examiner*—Linda Brooks

(74) *Attorney, Agent, or Firm*—Baker Botts LLP

(57) **CLAIM**

The ornamental design for an attachment for a handlebar, as shown and described.

**DESCRIPTION**

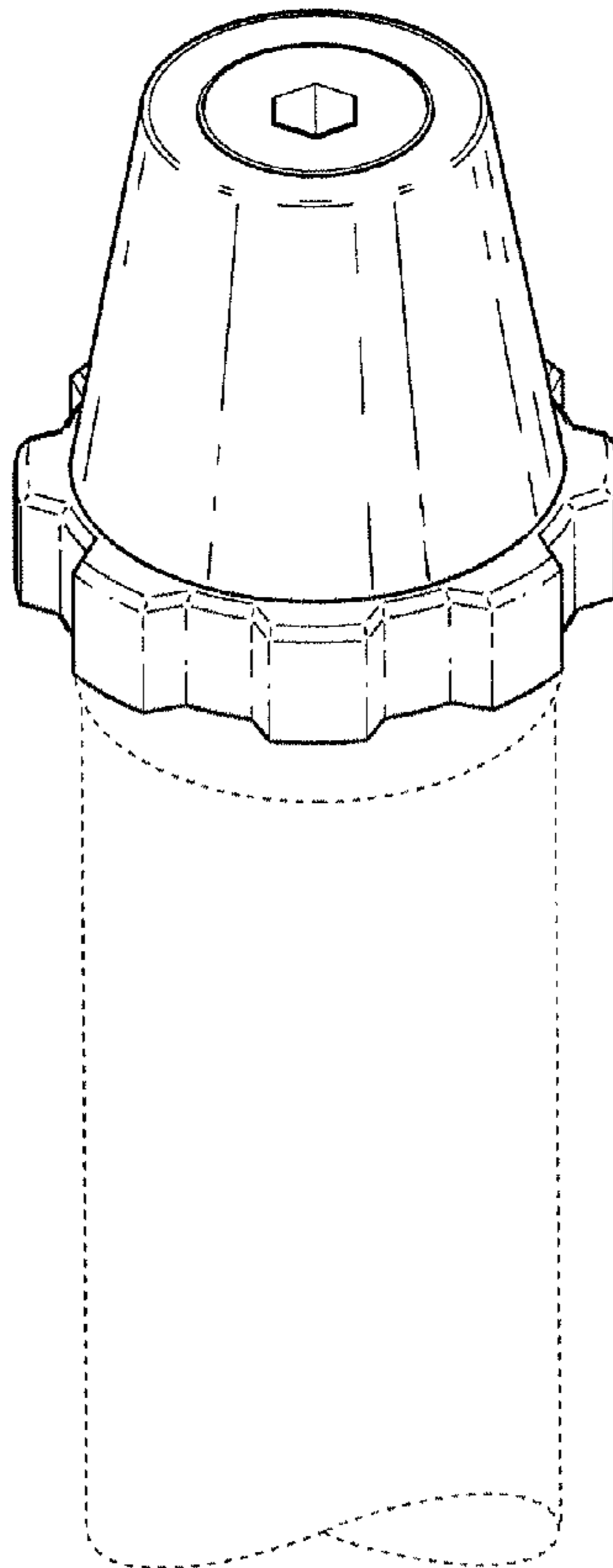
FIG. 1 is a perspective view of the attachment for a handlebar.

FIG. 2 is a side view of the attachment for a handlebar of FIG. 1; and,

FIG. 3 is a top view of the attachment for a handlebar of FIG. 1.

The throttle sleeve and grip portions of the attachment for a handlebar shown in broken lines form no part of the claimed design.

**1 Claim, 2 Drawing Sheets**



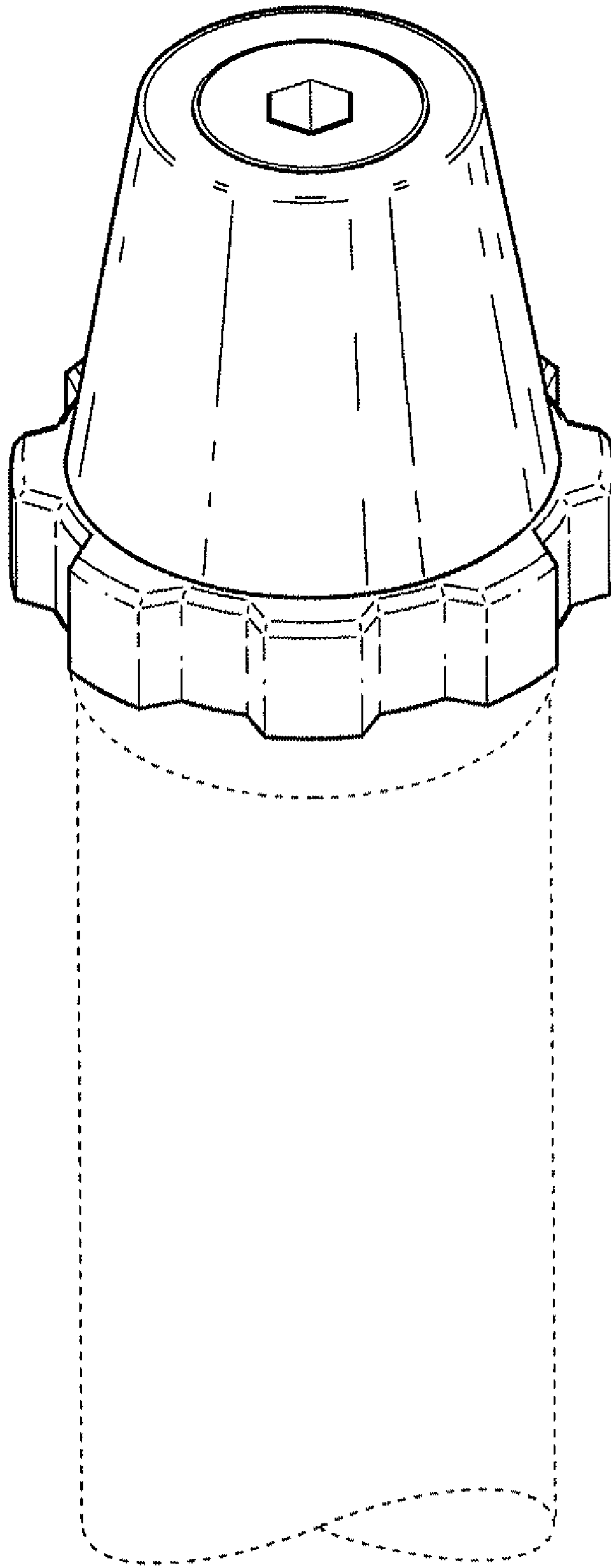


FIGURE 1

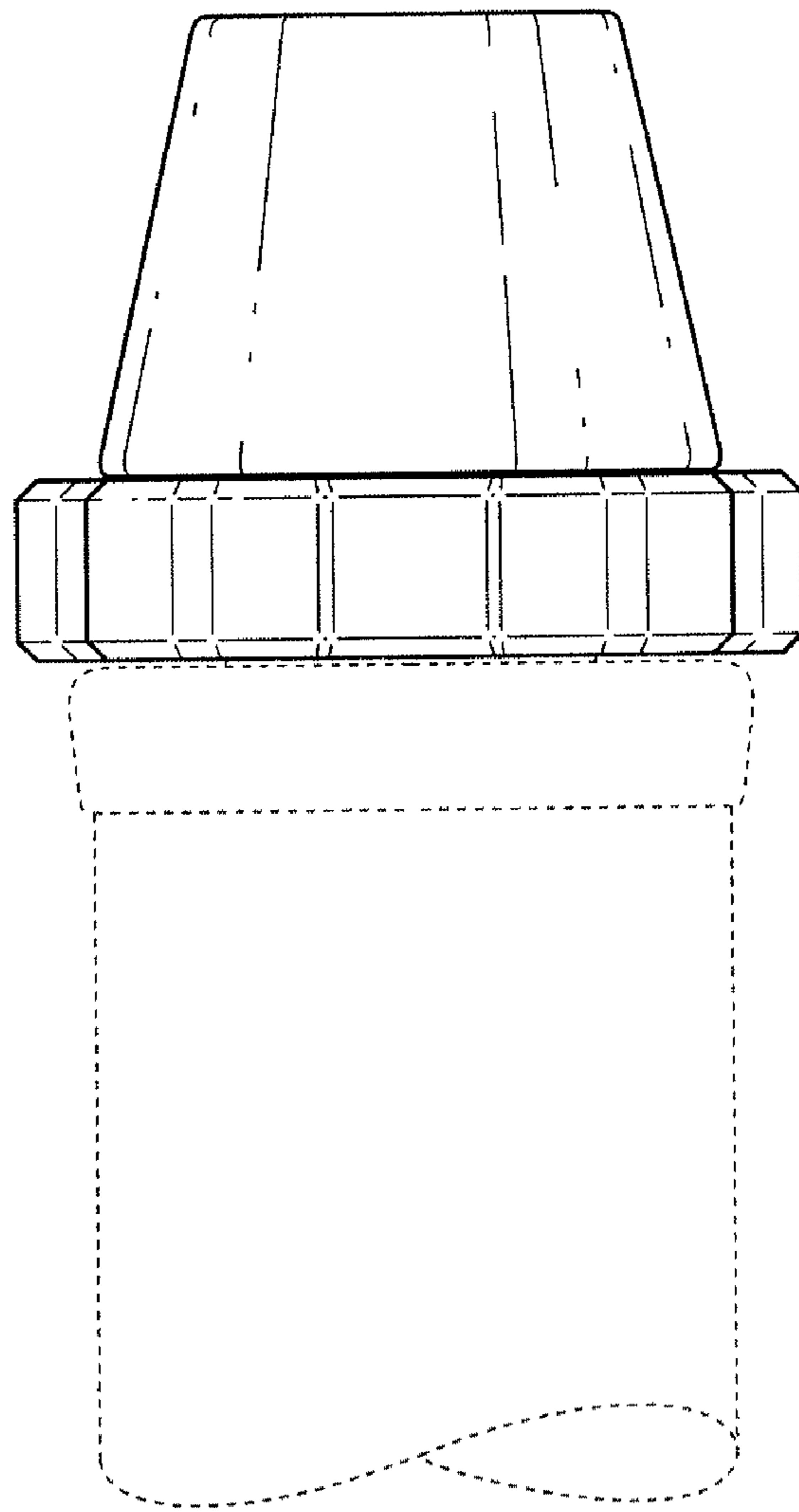


FIGURE 2

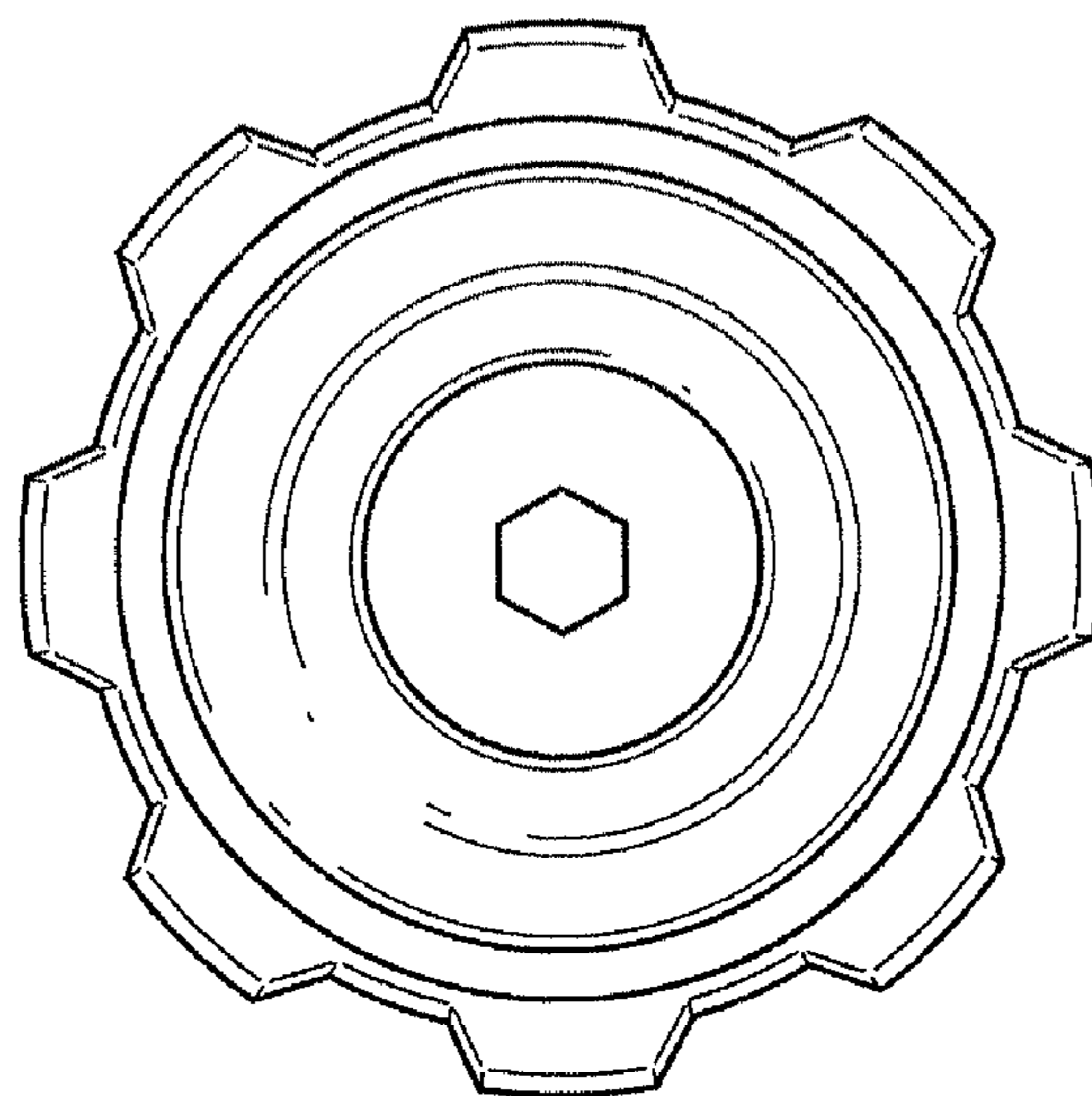


FIGURE 3