

US00D593461S

(12) **United States Design Patent**
Kouzai

(10) **Patent No.:** **US D593,461 S**
(45) **Date of Patent:** **** Jun. 2, 2009**

(54) **FRONT GRILLE WITH FRONT COMBINATION LAMP FOR AN AUTOMOBILE**

(75) Inventor: **Shigetoshi Kouzai**, Kariya (JP)

(73) Assignee: **Toyota Jidosha Kabushiki Kaisha** (JP)

(**) Term: **14 Years**

(21) Appl. No.: **29/322,043**

(22) Filed: **Jul. 29, 2008**

(51) **LOC (9) Cl.** **12-16**

(52) **U.S. Cl.** **D12/163**

(58) **Field of Classification Search** D12/163,
D12/171, 196, 216, 90-92, 86; 180/68.1,
180/68.6; 296/193.11; D26/28-36; 362/459-468,
362/475-478, 485-487

See application file for complete search history.

(56) **References Cited**

U.S. PATENT DOCUMENTS

D491,117 S *	6/2004	Hayashi	D12/163
D509,170 S *	9/2005	Saito	D12/163
D513,482 S *	1/2006	Hattori	D12/163
D582,324 S *	12/2008	Miyazawa	D12/163

OTHER PUBLICATIONS

Toyota, Tacoma, www.toyota.com, available at least as early as Jun. 7, 2007, Toyota.

Toyota, Hirux Surf, www.toyota.com, available at least as early as Jun. 7, 2007.

* cited by examiner

Primary Examiner—Melody N Brown

(74) *Attorney, Agent, or Firm*—SAIDMAN DesignLaw Group

(57) **CLAIM**

the ornamental design for a front grille with front combination lamp for an automobile, as shown and described.

DESCRIPTION

FIG. 1 is a front perspective view of a front grille with front combination lamp for an automobile showing my new design;

FIG. 2 is a front view thereof;

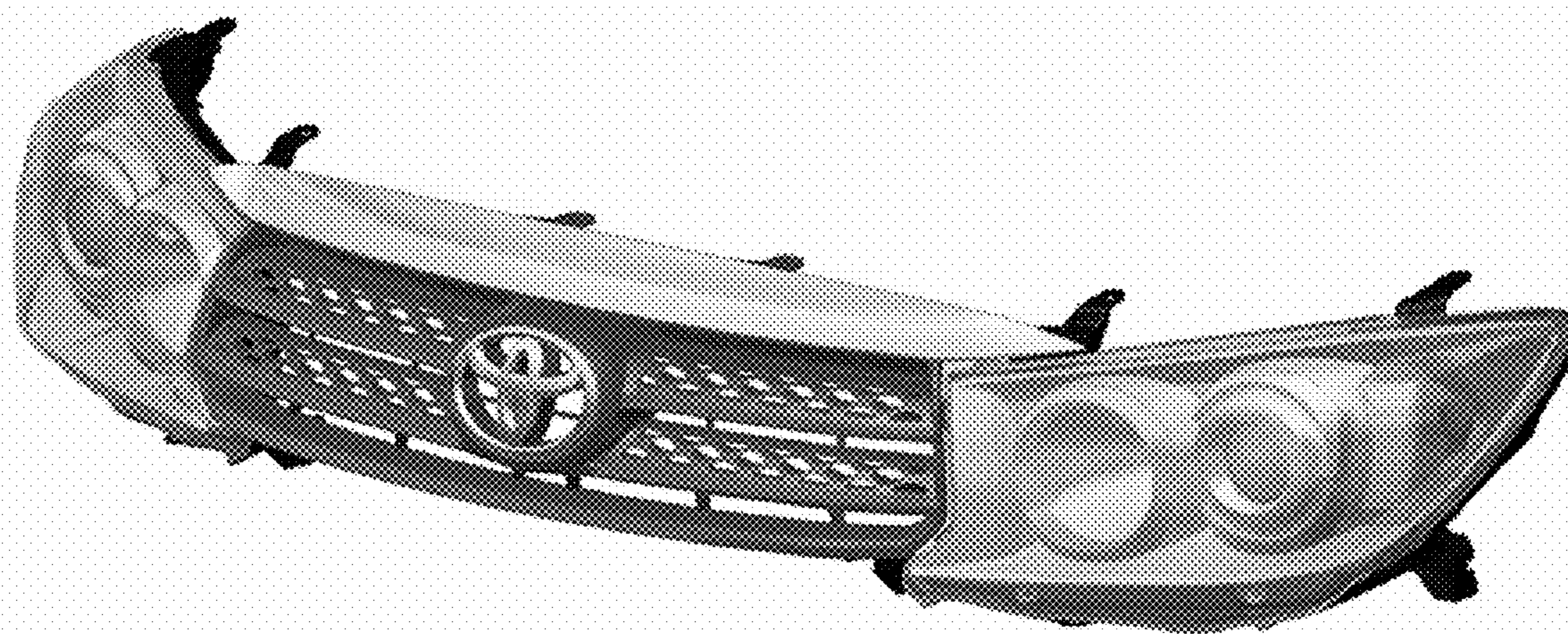
FIG. 3 is a left-side view thereof;

FIG. 4 is a right-side view thereof;

FIG. 5 is a top view thereof; and,

FIG. 6 is a bottom view thereof.

1 Claim, 2 Drawing Sheets



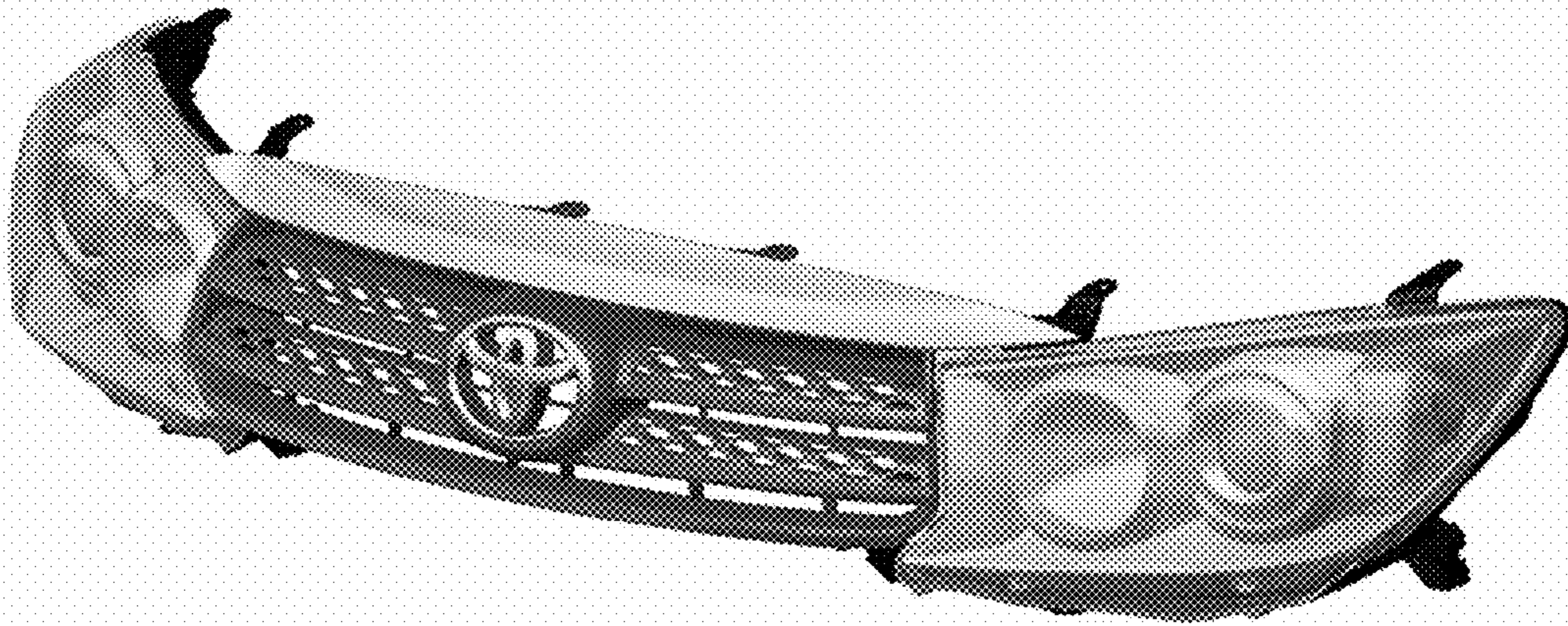


FIG. 1

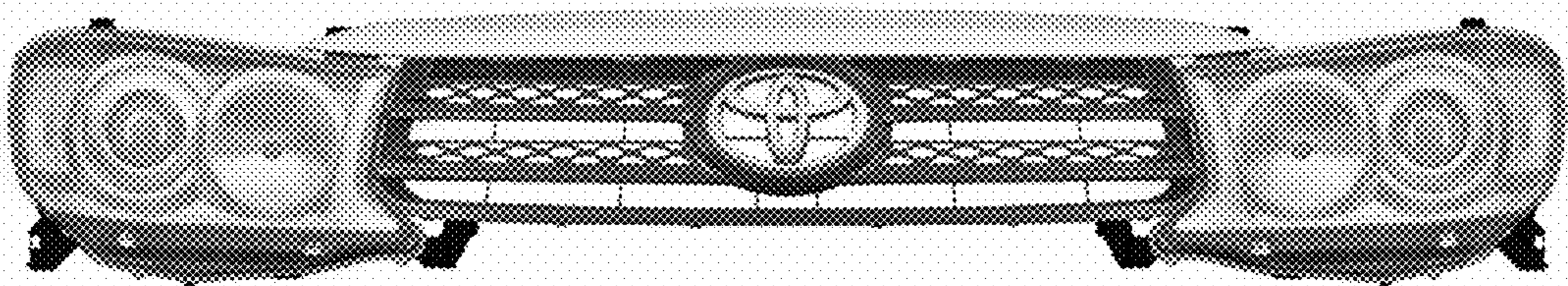


FIG. 2

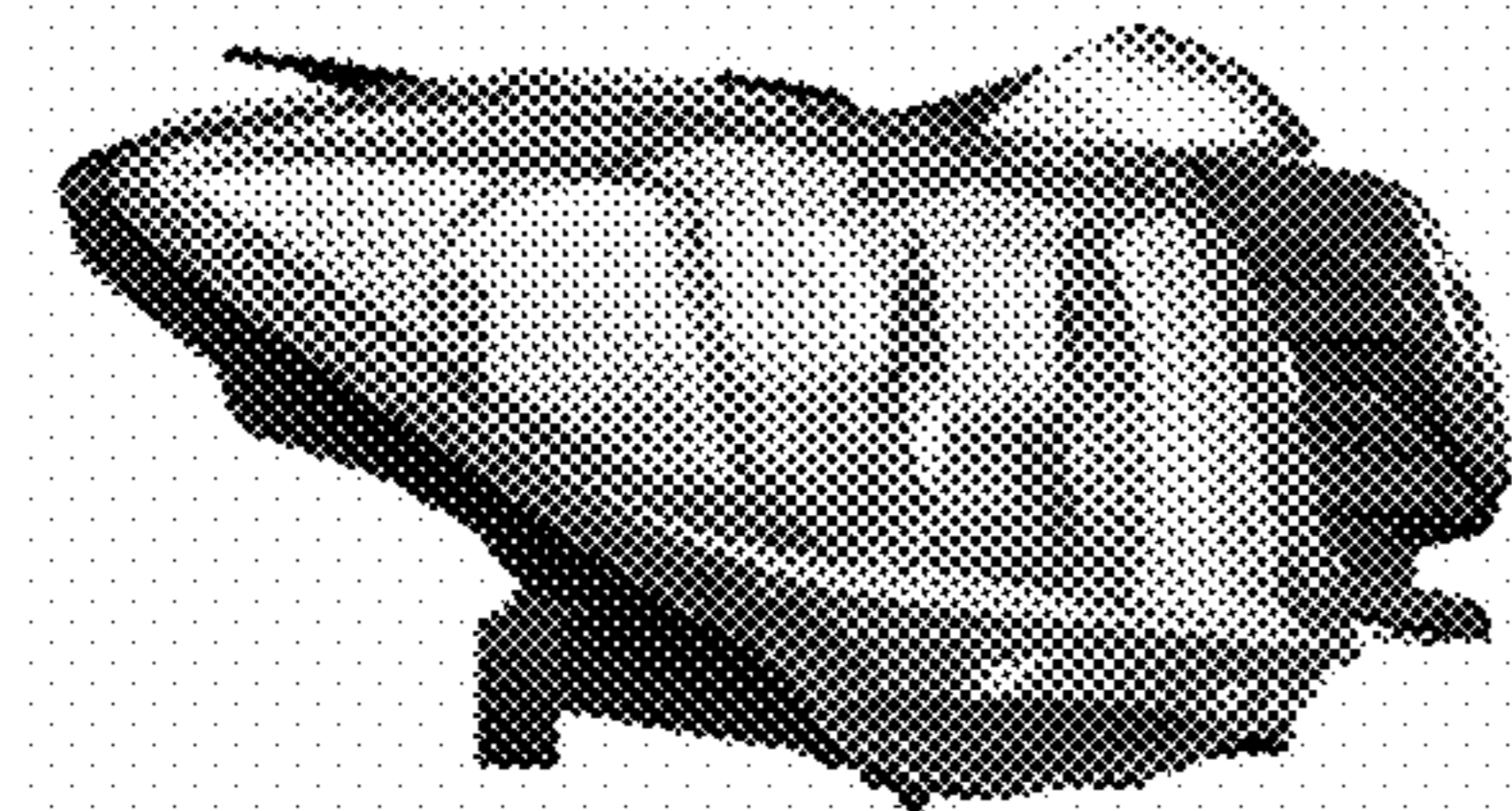


FIG. 3

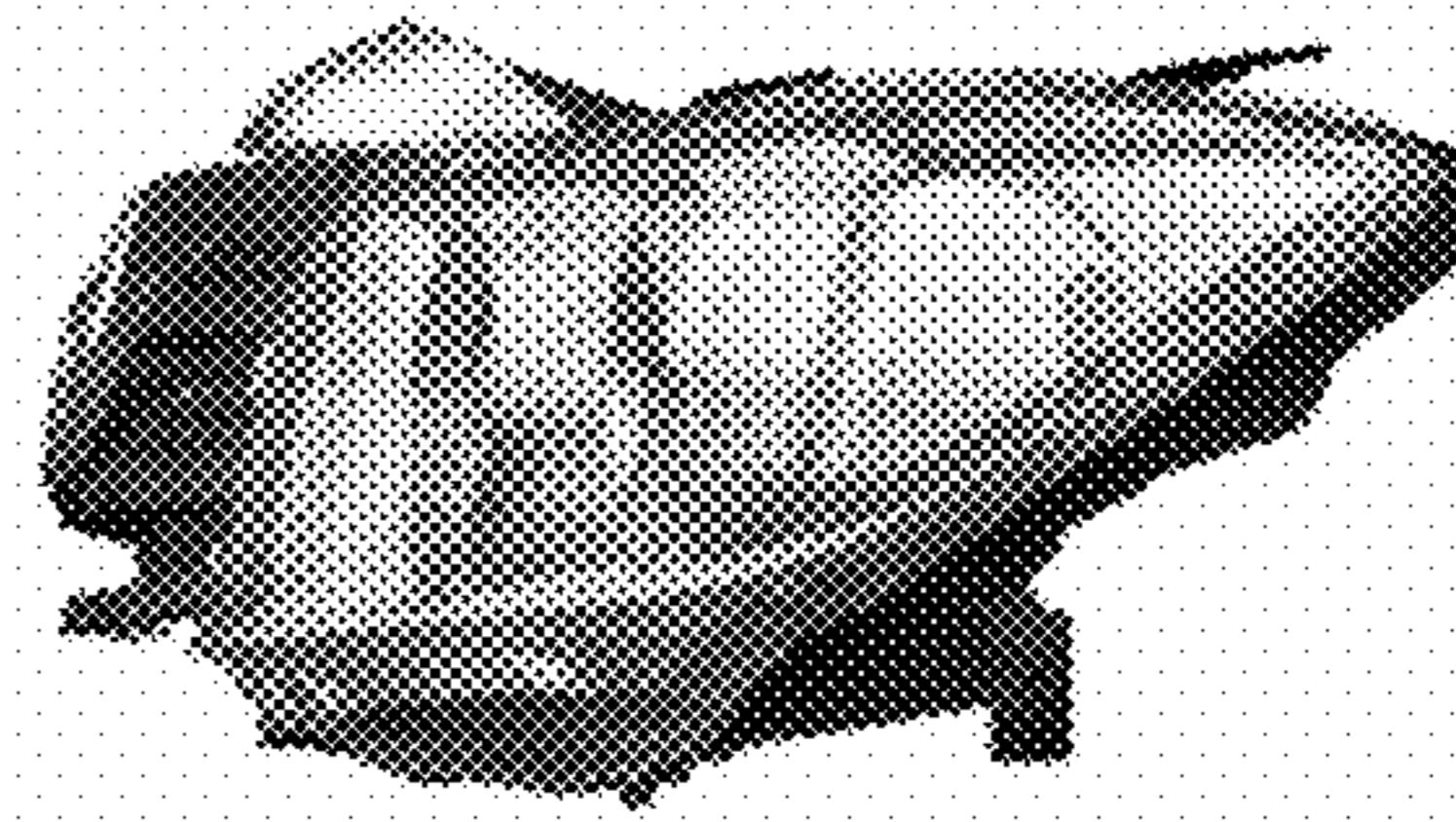


FIG. 4

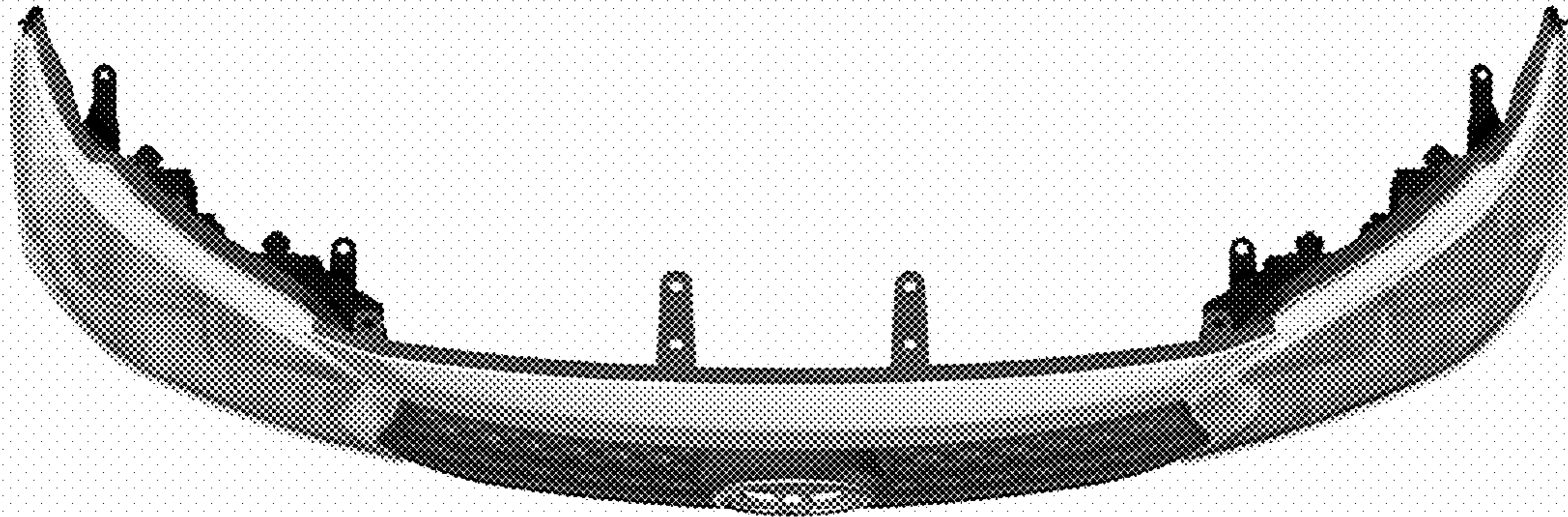


FIG. 5

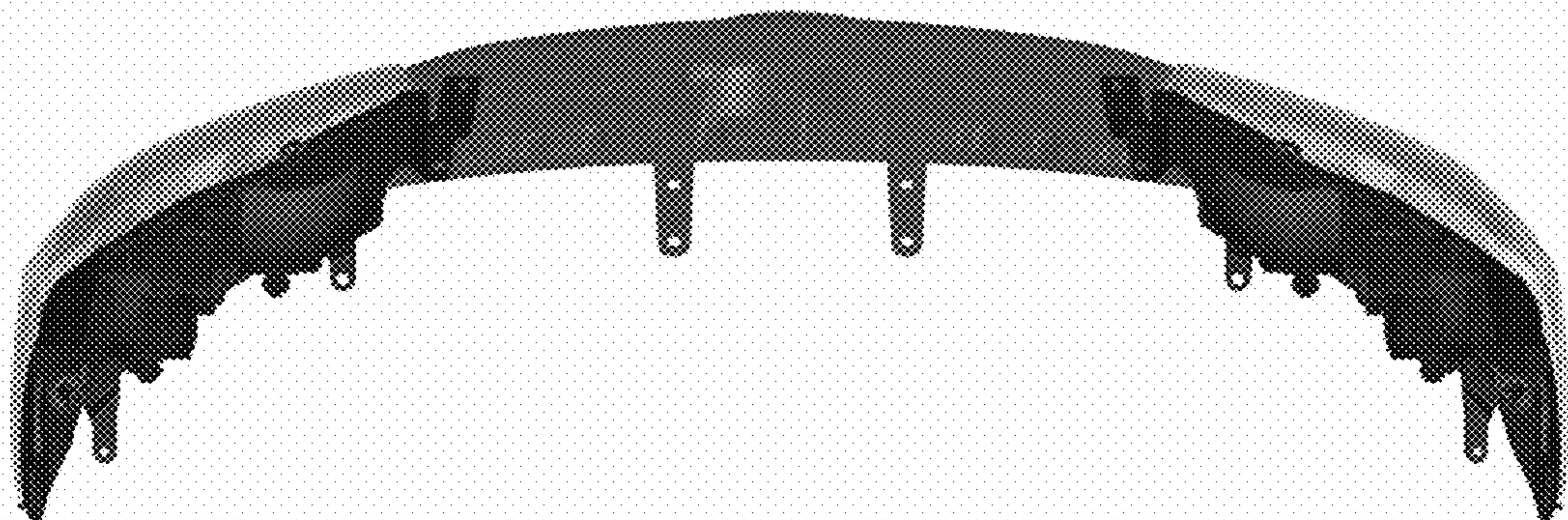


FIG. 6