



US00D593459S

(12) **United States Design Patent**
Liao

(10) **Patent No.:** **US D593,459 S**
(45) **Date of Patent:** **** Jun. 2, 2009**

(54) **COMBINATION PUSHCHAIR FRAME**

(75) Inventor: **Gordon Liao**, Yung Kang (TW)

(73) Assignee: **Unique Product & Design Co., Ltd.**,
Tainan Hsien (TW)

(**) Term: **14 Years**

(21) Appl. No.: **29/324,044**

(22) Filed: **Sep. 5, 2008**

(51) **LOC (9) Cl.** **12-12**

(52) **U.S. Cl.** **D12/129; D12/133**

(58) **Field of Classification Search** D12/128-133;
296/65.03, 65.04; 224/409; 297/DIG. 4;
280/62, 647-650, 29, 200, 47.38, 250.1,
280/259, 642, 658

See application file for complete search history.

(56) **References Cited**

U.S. PATENT DOCUMENTS

D369,992 S *	5/1996	Baechler	D12/129
6,896,286 B2 *	5/2005	Lin	280/650
D519,422 S *	4/2006	Huang	D12/129
D558,099 S *	12/2007	Yang	D12/129
D566,013 S *	4/2008	Wang	D12/129
D578,045 S *	10/2008	Liao	D12/129
D579,827 S *	11/2008	Lake	D12/129

* cited by examiner

Primary Examiner—Charles A Rademaker

Assistant Examiner—Charles D Hanson

(74) *Attorney, Agent, or Firm*—Alan Kamrath; Kamrath & Associates PA

(57) **CLAIM**

The ornamental design for a combination pushchair frame, as shown and described.

DESCRIPTION

FIG. 1 is a perspective view of a combination pushchair frame showing my design;

FIG. 2 is a front elevational view thereof;

FIG. 3 is a rear elevational view thereof;

FIG. 4 is a left side elevational view thereof;

FIG. 5 is a right side elevational view thereof;

FIG. 6 is a top plan view thereof;

FIG. 7 is a bottom plan view thereof;

FIG. 8 is a side view thereof;

FIG. 9 is a side view thereof;

FIG. 10 is a side view thereof;

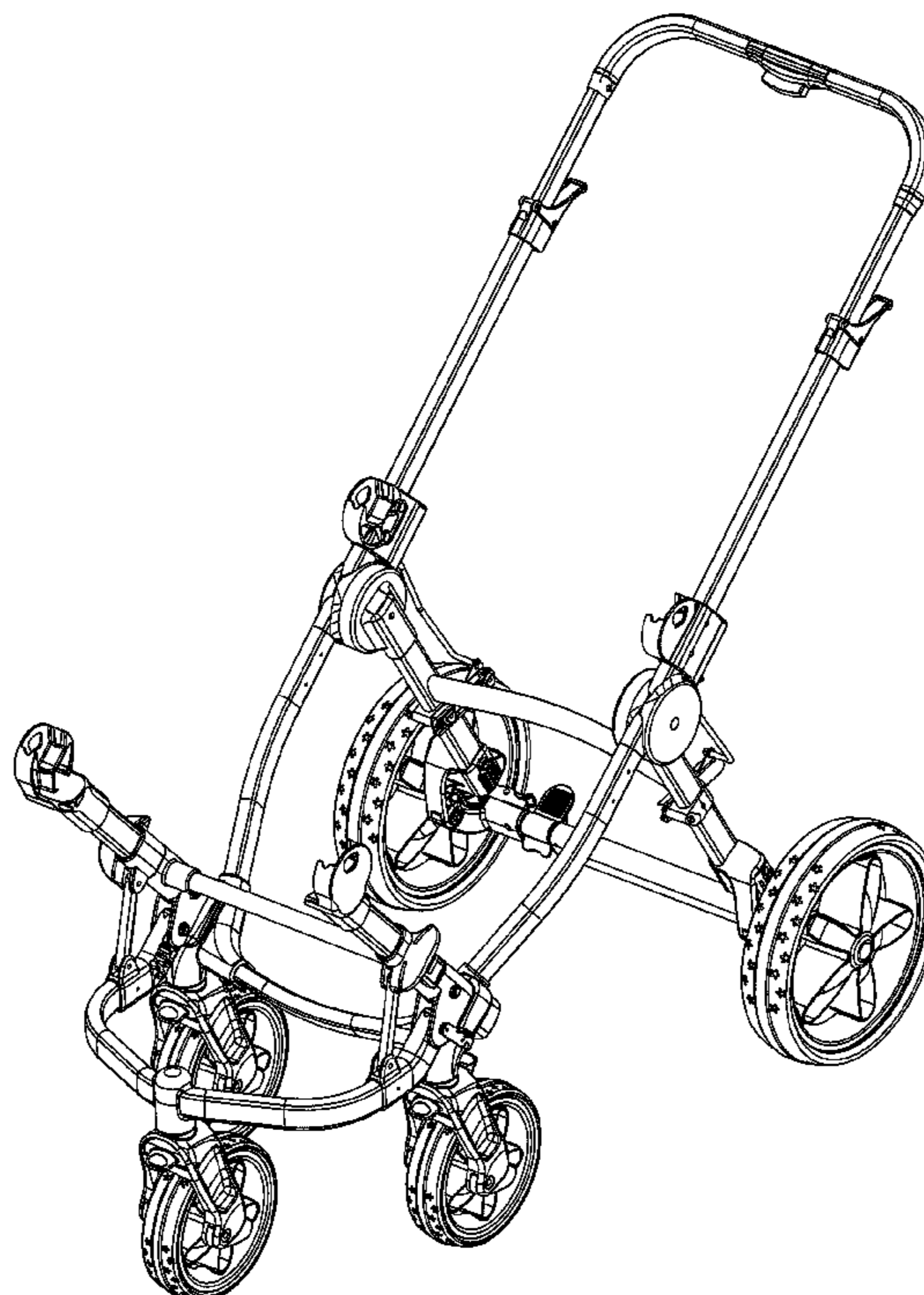
FIG. 11 is a side view thereof;

FIG. 12 is a side view thereof; and,

FIG. 13 is a side view thereof.

The broken lines FIGS. 8 through 13 are included for the purpose of illustrating structural environment and form no part of the claimed design.

1 Claim, 13 Drawing Sheets



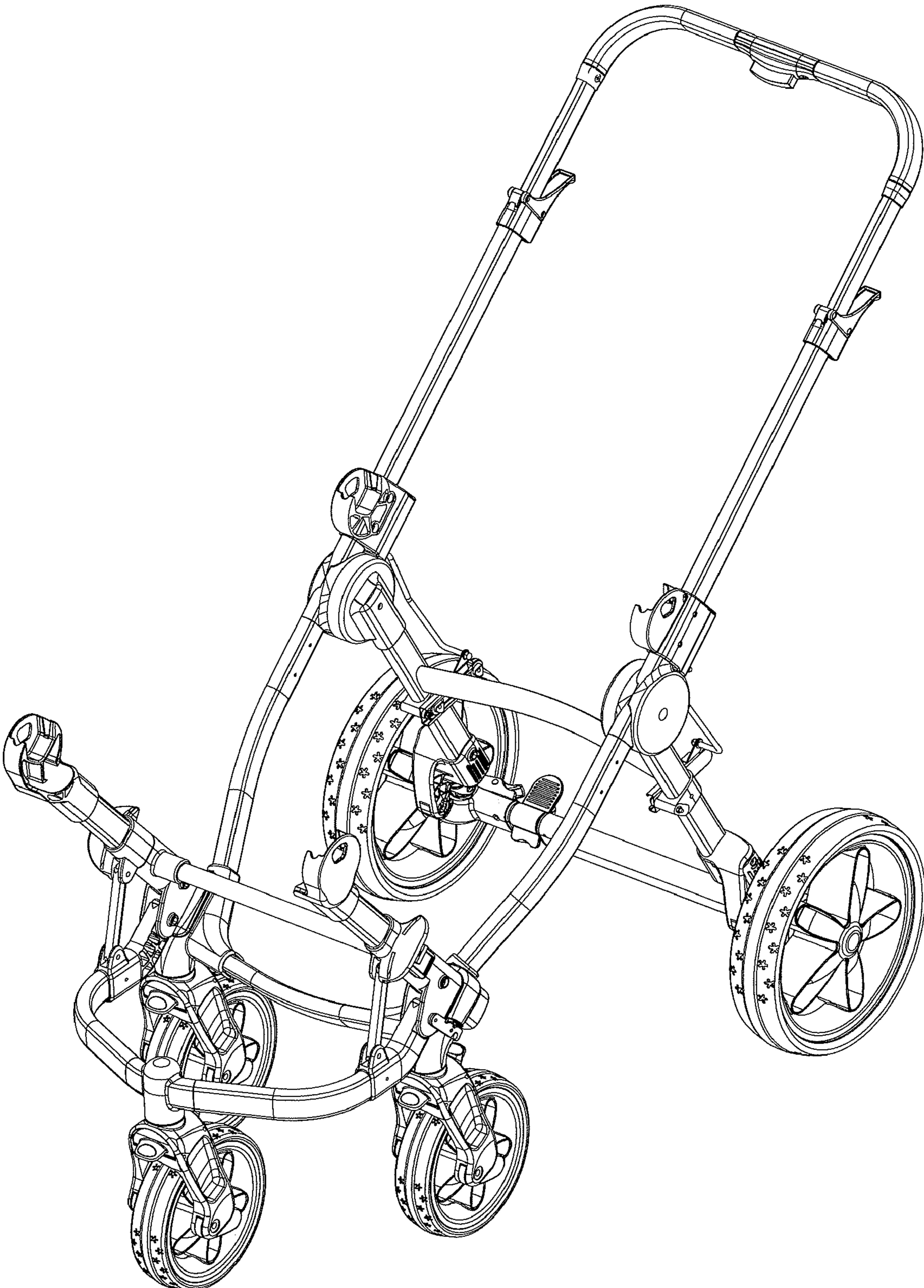


FIG. 1

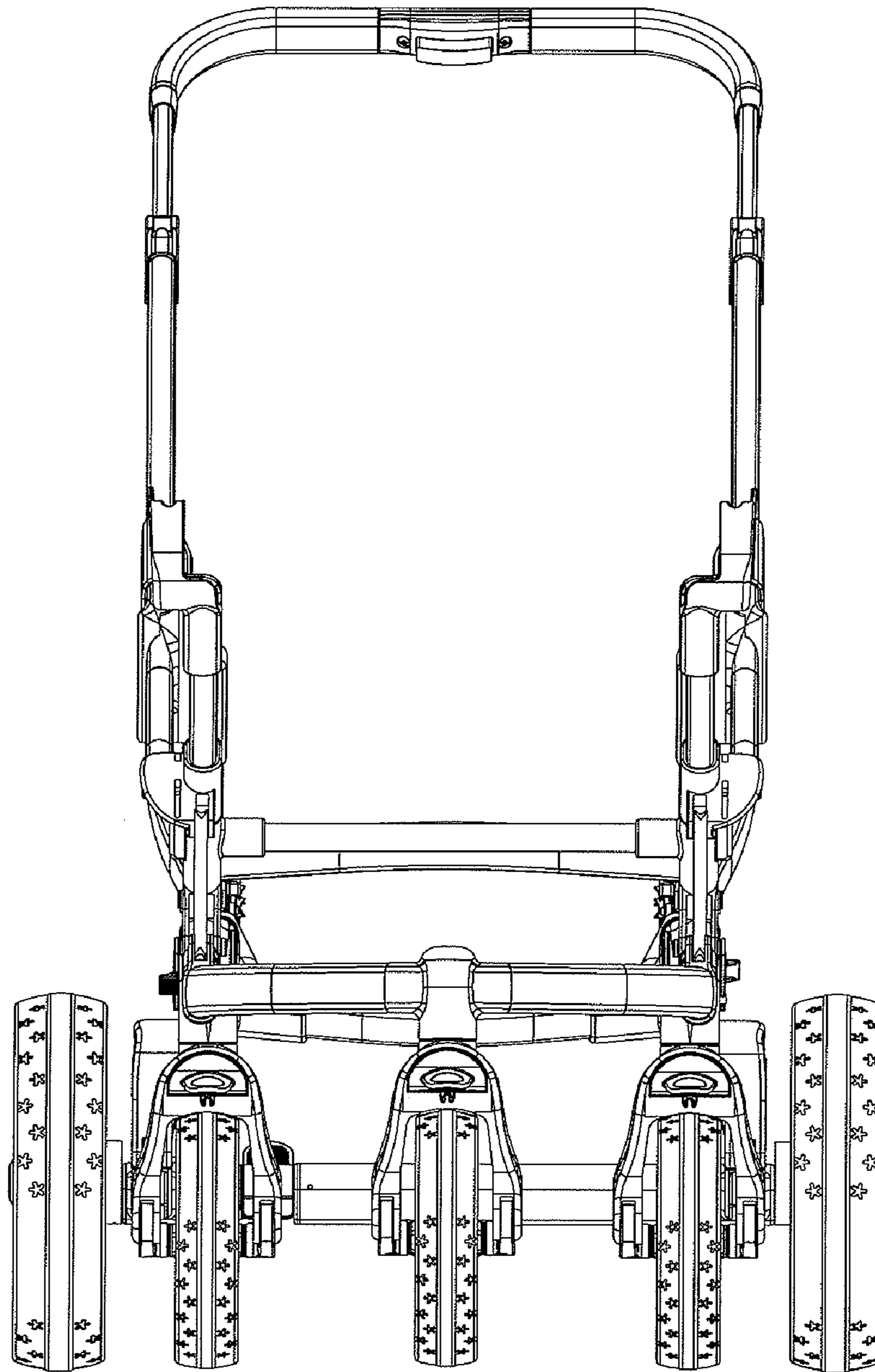


FIG. 2

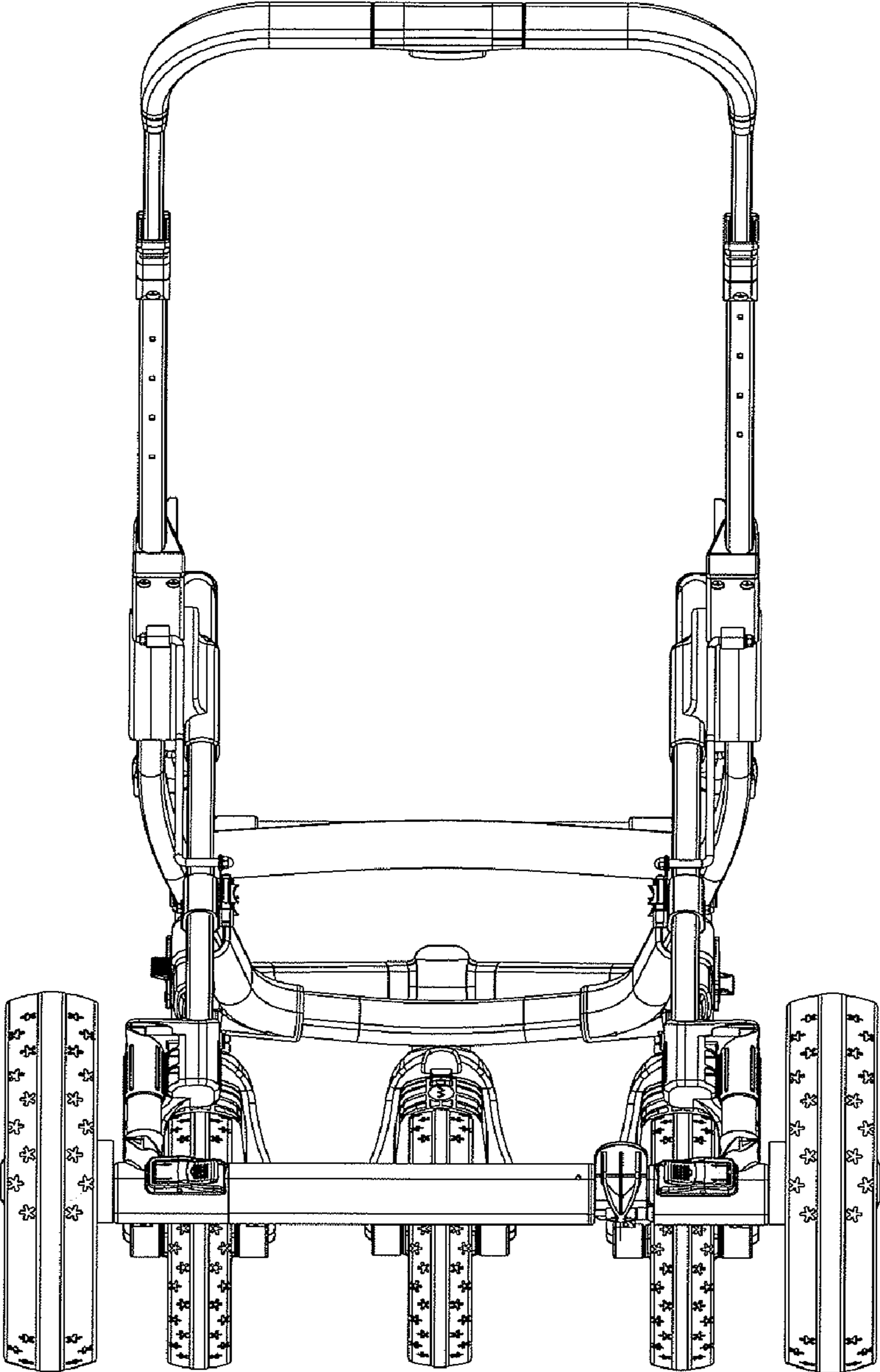


FIG. 3

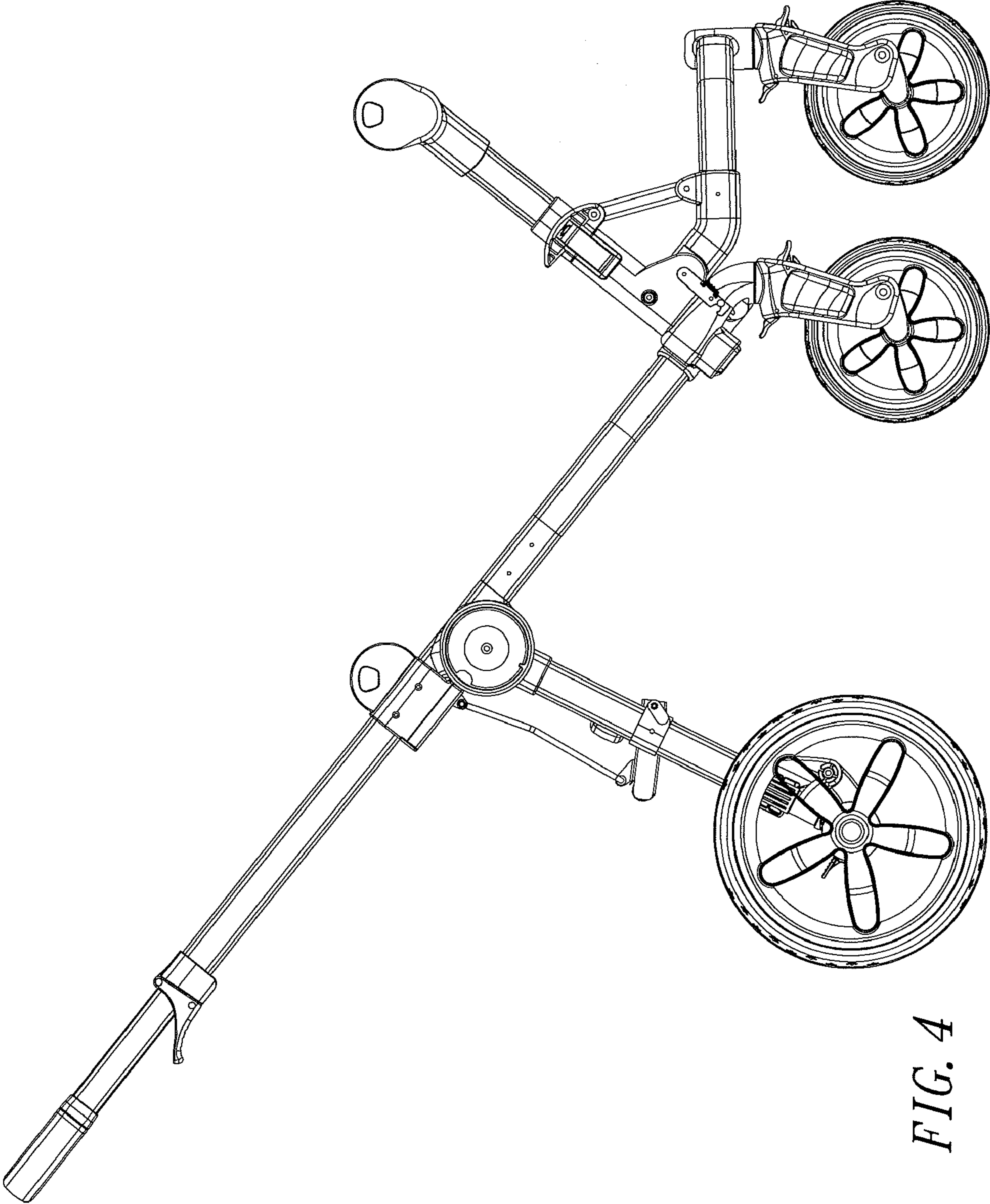


FIG. 4

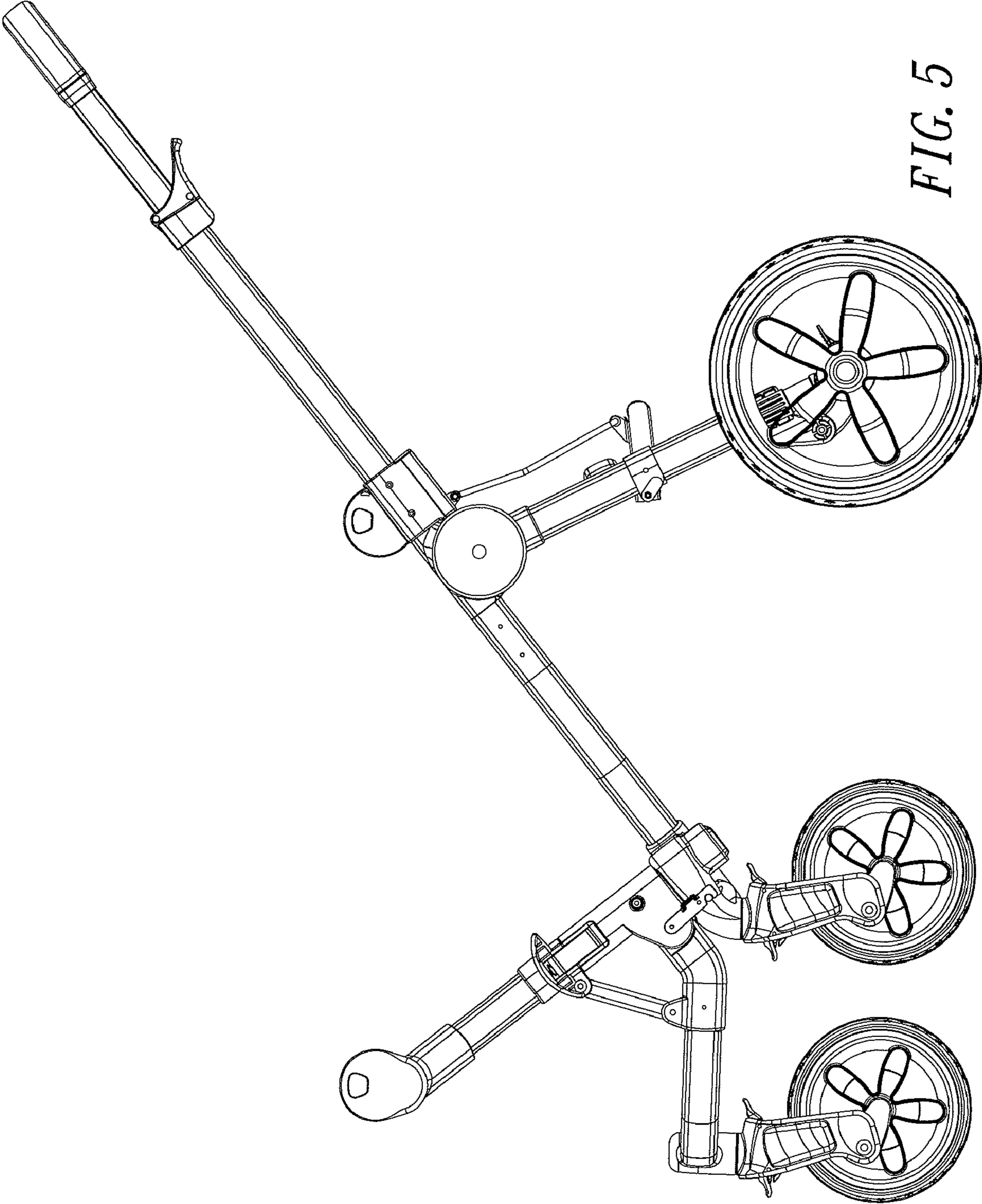


FIG. 5

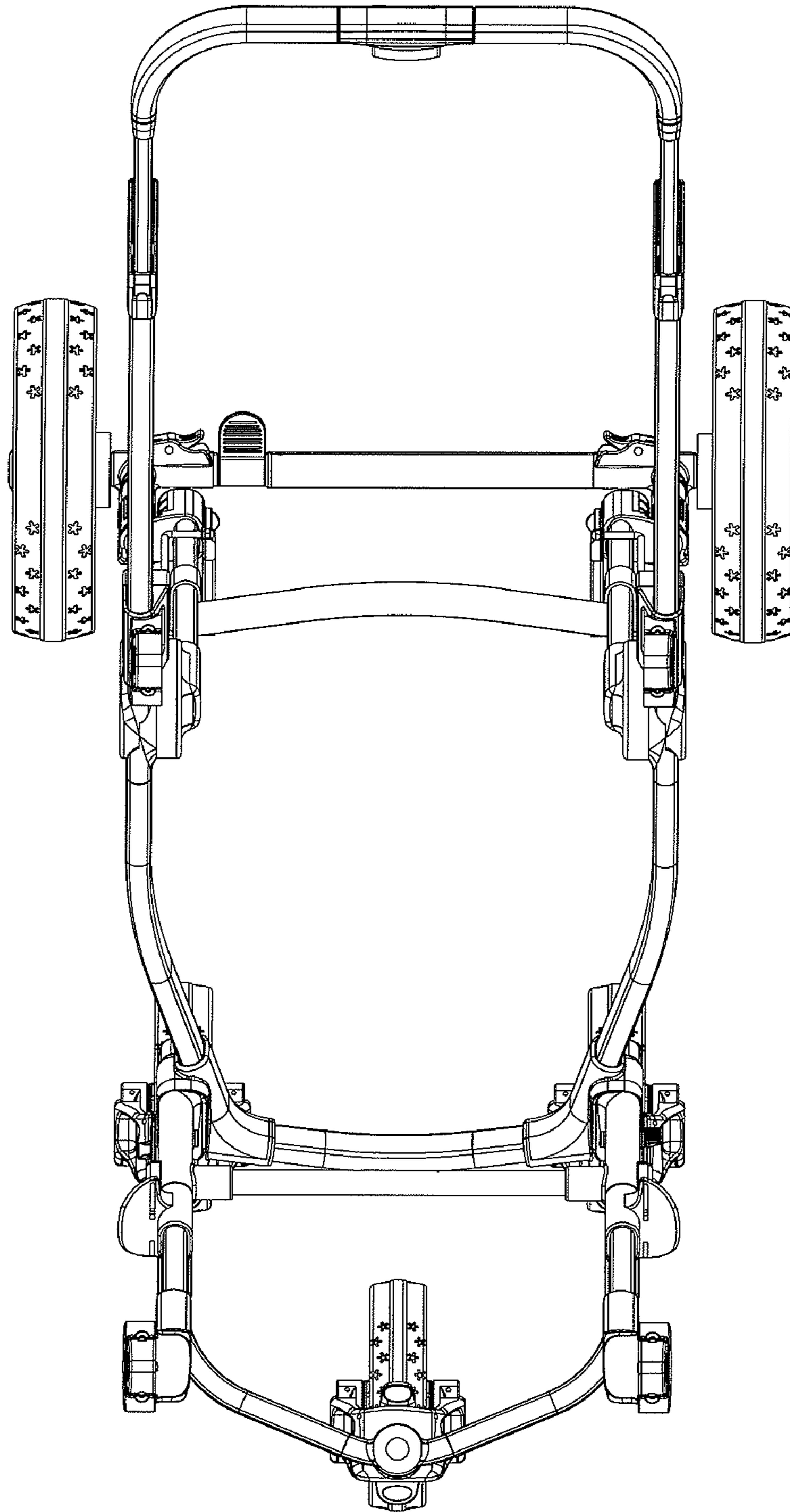


FIG. 6

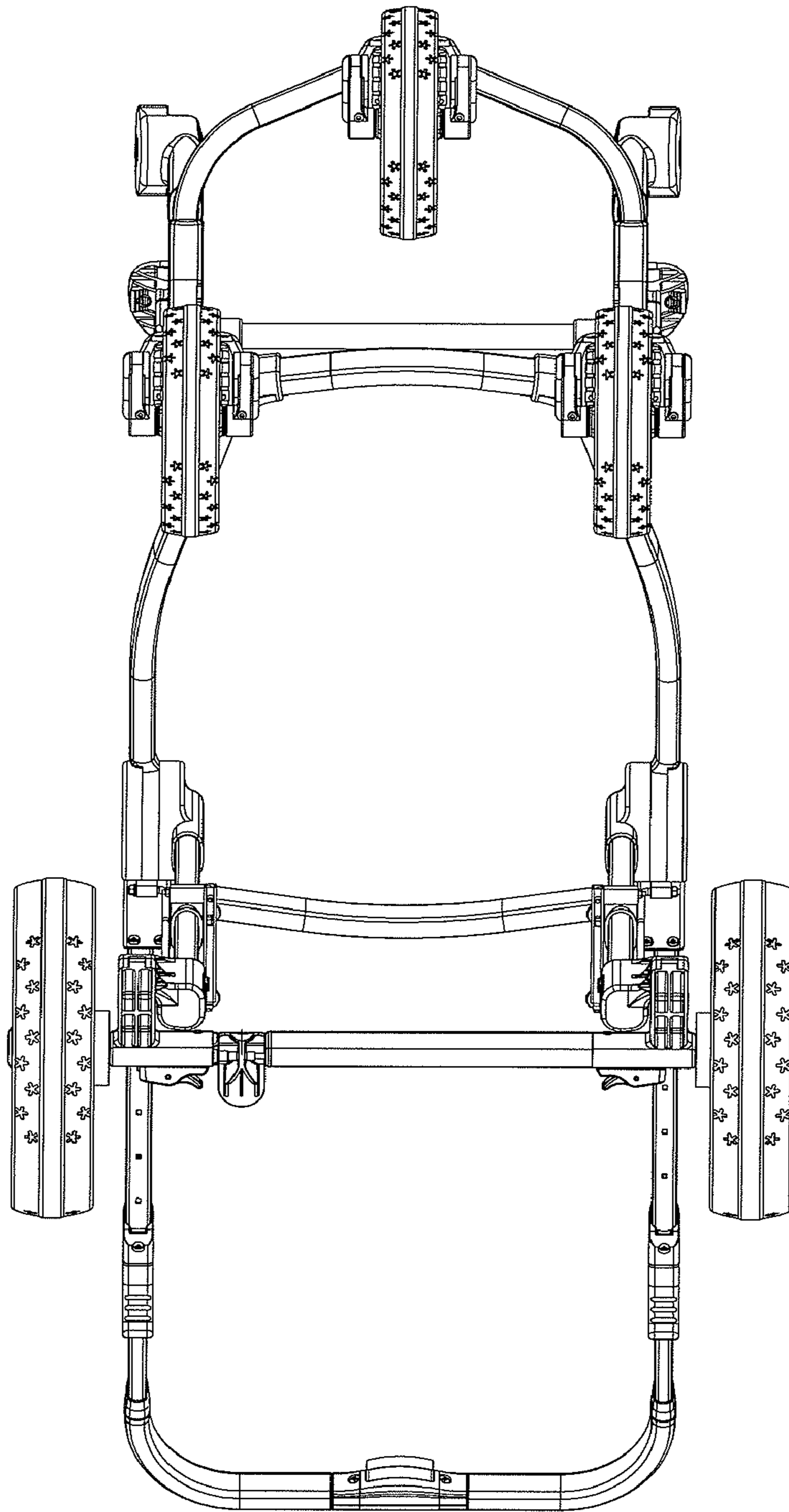


FIG. 7

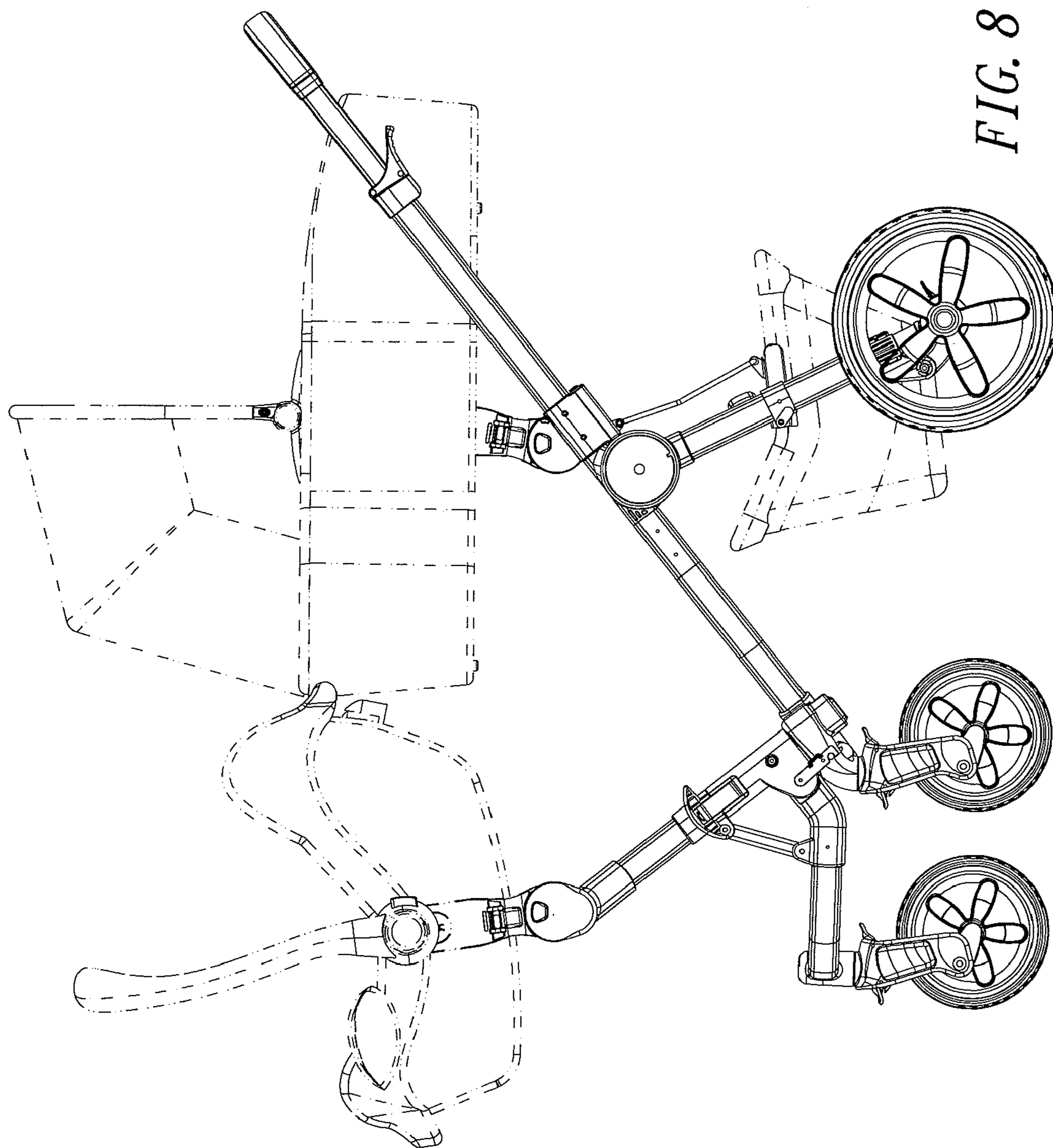


FIG. 8

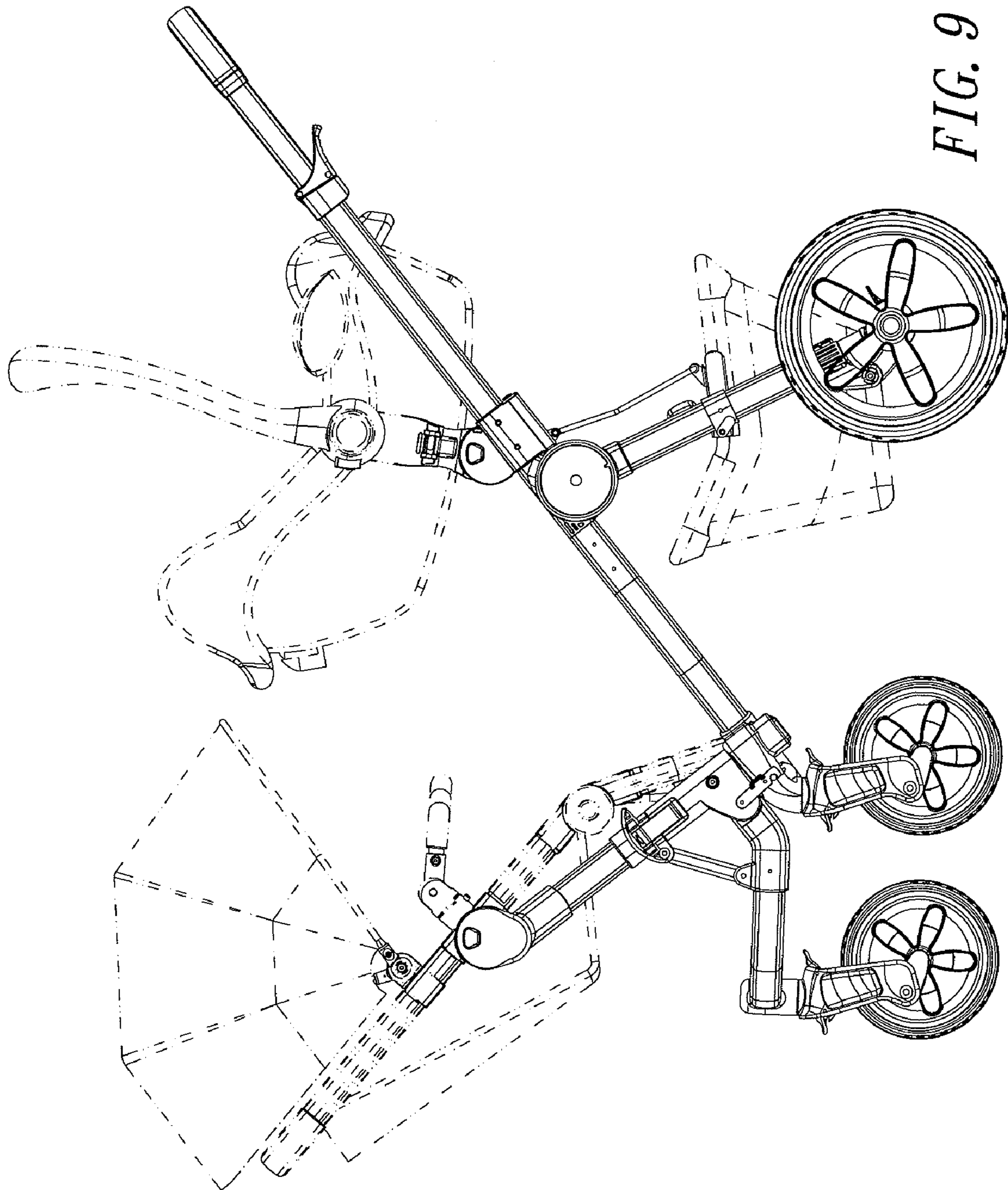
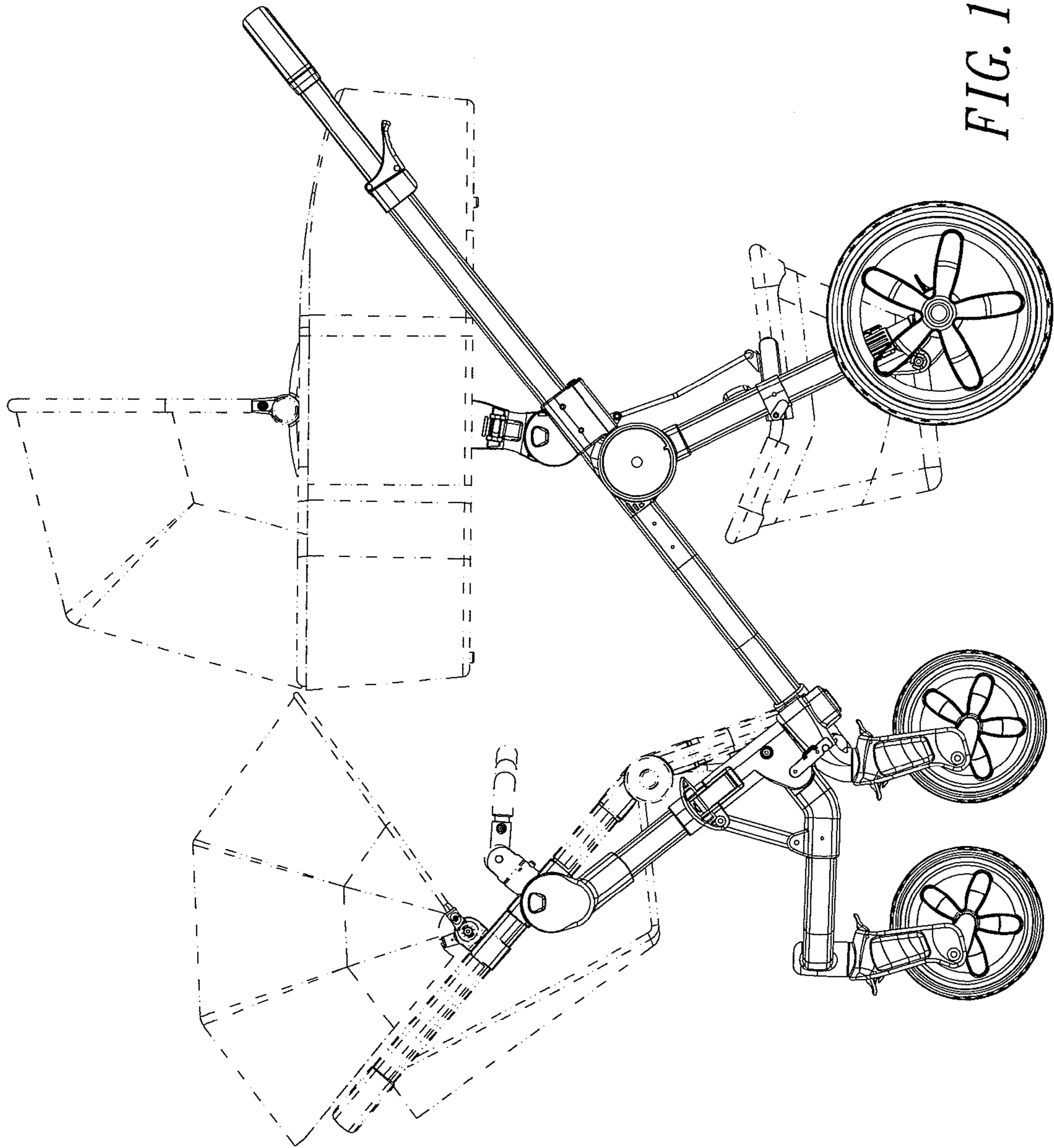


FIG. 9



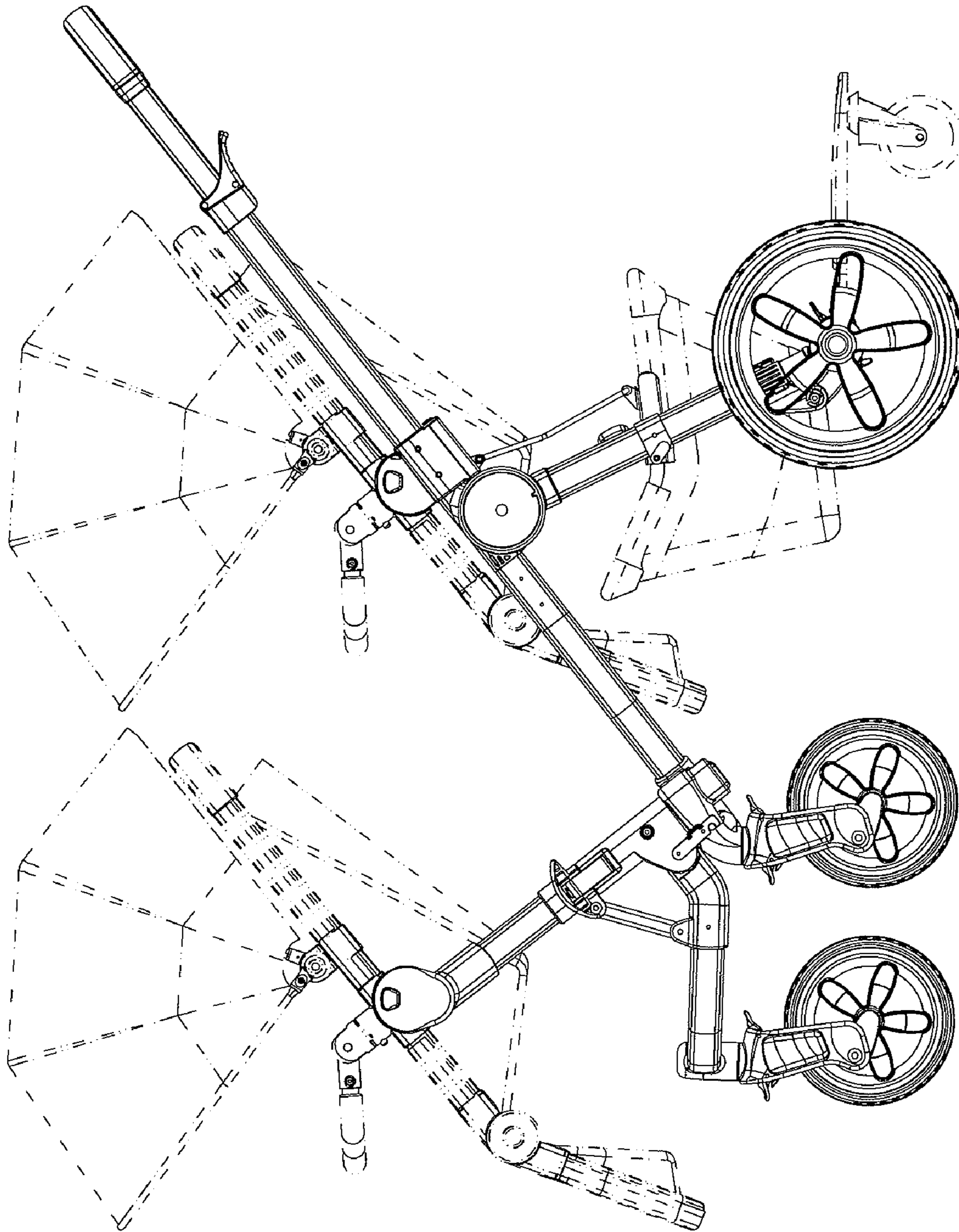


FIG. 11

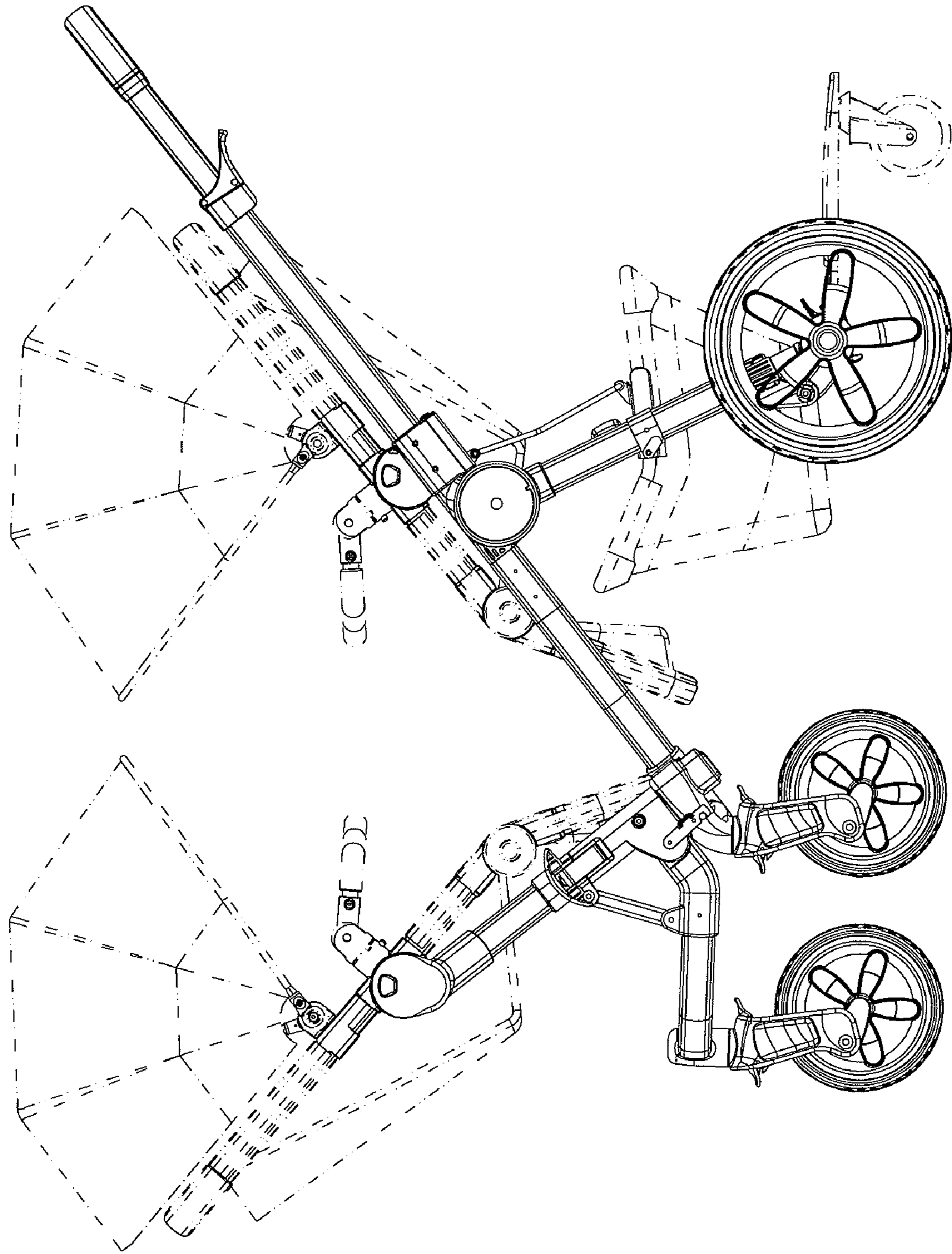


FIG. 12

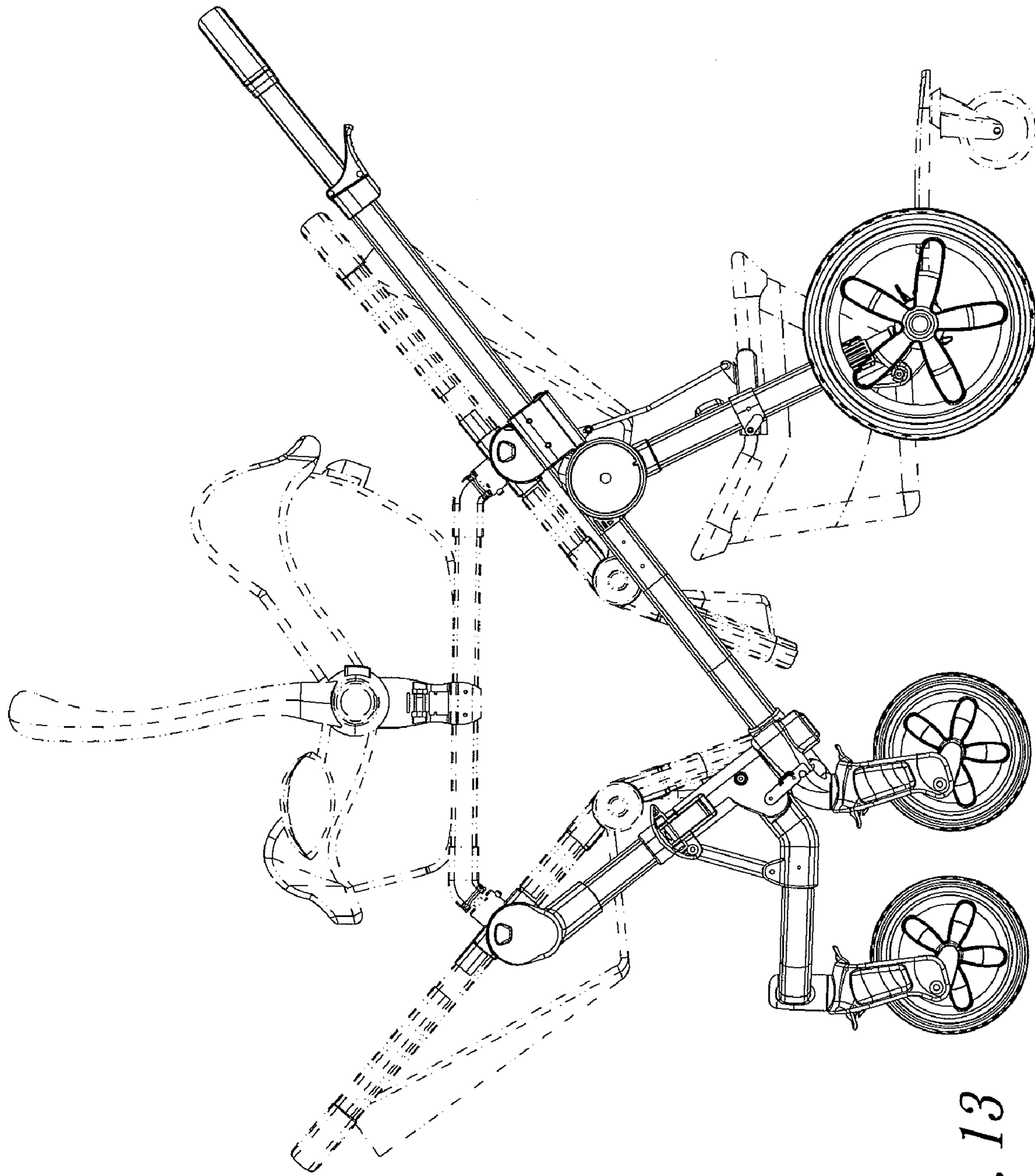


FIG. 13