



US00D593457S

(12) **United States Design Patent**  
**Talavasek et al.**

(10) **Patent No.:** **US D593,457 S**  
(45) **Date of Patent:** **\*\* Jun. 2, 2009**

(54) **BICYCLE FRAME**

869,476 A 10/1907 Beck  
1,039,943 A 10/1912 Himes  
1,047,430 A 12/1912 Michaelson

(75) Inventors: **Jan Talavasek**, Morgan Hill, CA (US);  
**Jason L. Chamberlain**, Morgan Hill,  
CA (US)

(Continued)

FOREIGN PATENT DOCUMENTS

(73) Assignee: **Specialized Bicycle Components, Inc.**,  
Morgan Hill, CA (US)

AU 221626 9/1957

(Continued)

(\*\*) Term: **14 Years**

OTHER PUBLICATIONS

(21) Appl. No.: **29/281,773**

Cannondale Gemini™ Bicycle Owner's Manual Supplement, IQMc/  
JCH 122601 #113646, 2001.

(22) Filed: **Jun. 29, 2007**

(Continued)

(51) **LOC (9) Cl.** ..... **12-11**

(52) **U.S. Cl.** ..... **D12/111**

(58) **Field of Classification Search** ..... D12/110-114,  
D12/117; 280/274-280, 281.1, 288.1-288.4,  
280/284-288, 283

*Primary Examiner*—Cathron C Brooks

*Assistant Examiner*—Linda Brooks

(74) *Attorney, Agent, or Firm*—Knobbe, Martens, Olson &  
Bear, LLP

See application file for complete search history.

(57) **CLAIM**

(56) **References Cited**

The ornamental design for a bicycle frame, as shown and  
described.

U.S. PATENT DOCUMENTS

**DESCRIPTION**

- 439,095 A 10/1890 Becker
- 447,741 A 3/1891 Semple
- 467,794 A 1/1892 Ellis
- 494,803 A 4/1893 Cable
- 516,554 A 3/1894 Smith
- 564,319 A 7/1896 Travis
- 578,615 A 3/1897 Travis
- 587,337 A 8/1897 Smith
- 591,306 A 10/1897 Tolson
- 603,418 A 5/1898 Adriance
- 627,199 A 6/1899 McDonnell
- 634,340 A 10/1899 Harnett
- 640,113 A 12/1899 Dixon
- 644,788 A 3/1900 Williams
- 657,667 A 9/1900 Mills
- 667,594 A 2/1901 Soucy, Jr.
- 708,202 A 9/1902 Case
- 712,784 A 11/1902 Ellis
- 714,121 A 11/1902 Williams

FIG. 1 is a perspective view of a bicycle frame showing our  
new design, wherein the unclaimed portions are shown in  
dashed broken lines;

FIG. 2 is a side view thereof;

FIG. 3 is a side view opposite the side shown in FIG. 2;

FIG. 4 is a front view thereof;

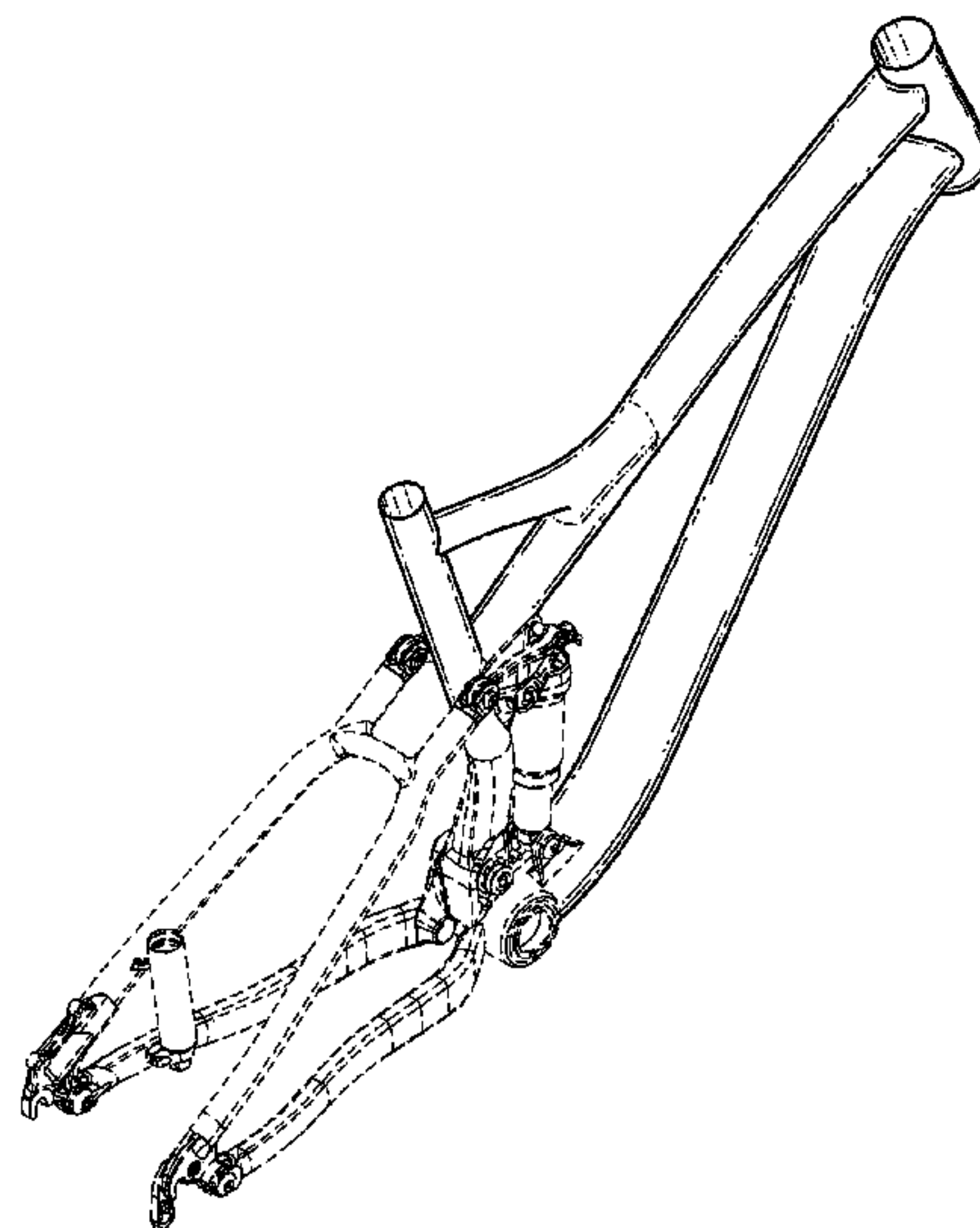
FIG. 5 is a rear view thereof;

FIG. 6 is a top view thereof; and,

FIG. 7 is a bottom view thereof.

Throughout the figures, the dashed broken lines show  
unclaimed portions of the bicycle frame and form no part of  
the claimed design.

**1 Claim, 7 Drawing Sheets**



# US D593,457 S

Page 2

U.S. PATENT DOCUMENTS					
		5,435,584	A	7/1995	Buell
		5,441,292	A	8/1995	Busby
		5,445,400	A	8/1995	Martin et al.
		5,460,396	A	10/1995	Sutter et al.
		5,492,392	A	2/1996	Chen
		5,509,679	A *	4/1996	Leitner ..... 280/284
		5,520,584	A	5/1996	Brown, III
		5,540,118	A	7/1996	Calendrille, Jr.
		5,628,524	A	5/1997	Klassen et al.
		5,653,512	A	8/1997	Phillips
		5,676,616	A	10/1997	Hara
		5,678,837	A *	10/1997	Leitner ..... 280/284
		5,725,227	A	3/1998	Mayer
		5,762,353	A	6/1998	Miller
		5,782,714	A	7/1998	Osgood
		5,791,674	A	8/1998	D'Aluisio et al.
		5,803,476	A	9/1998	Olson et al.
		5,842,711	A	12/1998	Legerot
		5,881,835	A	3/1999	Lucht et al.
		5,899,480	A *	5/1999	Leitner ..... 280/284
		5,919,106	A	7/1999	Ichida
		5,938,225	A	8/1999	Scheibe et al.
		5,957,473	A	9/1999	Lawwill
		5,975,550	A	11/1999	Schonfeld
		5,979,924	A	11/1999	D'Aluisio et al.
		6,015,360	A	1/2000	Chang
		6,036,213	A	3/2000	Busby
		6,056,307	A	5/2000	Busby et al.
		6,076,845	A	6/2000	Lawwill et al.
		6,085,405	A	7/2000	Kao
		6,086,080	A	7/2000	Scheffer
		6,092,823	A	7/2000	Busby
		6,099,010	A	8/2000	Busby
		6,102,421	A	8/2000	Lawwill et al.
		6,131,934	A	10/2000	Sinclair
		6,151,948	A	11/2000	Ashworth et al.
		6,162,140	A	12/2000	Fukuda et al.
		6,164,676	A	12/2000	Wilcox
		6,170,845	B1	1/2001	Tseng
		6,203,042	B1	3/2001	Wilcox
		6,206,397	B1	3/2001	Klassen et al.
		6,270,104	B1	8/2001	Nelson et al.
		D447,986	S	9/2001	Hsu
		6,286,642	B1	9/2001	Yi
		6,287,228	B1	9/2001	Ichida
		6,350,212	B1	2/2002	Campagnolo
		6,361,059	B1	3/2002	Ellsworth
		6,375,210	B1	4/2002	Lam
		6,378,885	B1	4/2002	Ellsworth et al.
		6,409,281	B1	6/2002	Kanehisa
		6,439,593	B1	8/2002	Tseng
		6,454,363	B1	9/2002	Vignocchi et al.
		6,471,230	B2	10/2002	Ellsworth et al.
		6,481,523	B1	11/2002	Noro et al.
		6,595,538	B2	7/2003	Ellsworth et al.
		6,609,437	B2	8/2003	Jiang
		6,612,197	B2	9/2003	Steuer et al.
		6,644,452	B2	11/2003	Lew et al.
		6,682,088	B1 *	1/2004	Lin ..... 280/280
		6,712,373	B2	3/2004	Chamberlain et al.
		6,742,796	B2	6/2004	Ho et al.
		6,742,849	B1	6/2004	Denby
		6,783,142	B1	8/2004	Schober
		6,783,158	B2	8/2004	Nakagawa et al.
		6,805,372	B2	10/2004	Gueugneaud
		6,843,494	B2	1/2005	Lam
		6,845,998	B2	1/2005	Probst
		6,854,753	B2	2/2005	Turner
		6,880,847	B2 *	4/2005	Chamberlain et al. .... 280/284
		7,033,294	B2 *	4/2006	Chamberlain et al. .... 474/80
		7,052,028	B2 *	5/2006	Chamberlain ..... 280/279
		7,052,029	B2 *	5/2006	Chamberlain ..... 280/284
		7,059,620	B2 *	6/2006	Chamberlain et al. .... 280/284
1,101,614	A	6/1914	Bramham		
1,106,867	A	8/1914	Preund		
1,136,870	A	4/1915	Dukelow		
1,272,399	A	7/1918	Douglas		
1,283,030	A	10/1918	Ashton		
1,298,958	A	4/1919	Johnston		
1,407,218	A	2/1922	Previtali		
1,517,146	A	11/1924	Bloom		
2,078,213	A	4/1937	Martin		
2,108,941	A	2/1938	Morgan		
2,199,536	A	5/1940	Booty		
2,630,020	A	3/1953	Juy		
2,773,398	A	12/1956	Swain		
2,863,672	A	12/1958	Murata		
3,111,855	A	11/1963	Juy		
3,133,748	A	5/1964	Gunnerson		
3,184,993	A	5/1965	Swenson		
3,819,002	A	6/1974	Heathwaite et al.		
3,863,512	A	2/1975	Crawley		
3,866,946	A	2/1975	Robison		
3,889,975	A	6/1975	Falconi		
3,910,136	A	10/1975	Juy		
3,931,990	A	1/1976	Knapp		
3,964,330	A	6/1976	Ozaki		
3,964,765	A	6/1976	Zenser		
3,973,447	A	8/1976	Nagano		
4,027,542	A	6/1977	Nagano		
4,039,200	A	8/1977	McGonegle		
4,051,704	A	10/1977	Kimura		
4,058,181	A	11/1977	Buell		
4,215,872	A	8/1980	Clark		
4,299,582	A	11/1981	Leitner		
4,322,088	A	3/1982	Miyakoshi et al.		
4,371,064	A	2/1983	Shimano		
4,410,313	A	10/1983	Shimano		
4,421,337	A	12/1983	Pratt		
4,437,679	A	3/1984	Campagnolo		
4,440,413	A	4/1984	Miyakoshi et al.		
4,457,393	A	7/1984	Tamaki et al.		
4,493,489	A	1/1985	Huret et al.		
4,529,056	A	7/1985	Kreuz		
4,579,189	A	4/1986	Tanaka		
4,580,427	A	4/1986	Akamatsu		
4,582,343	A	4/1986	Waugh		
4,600,207	A	7/1986	Zosi		
4,679,811	A	7/1987	Shuler		
4,688,816	A	8/1987	Yang		
4,731,045	A	3/1988	Nagano		
4,731,046	A	3/1988	Juy		
4,789,174	A	12/1988	Lawwill		
4,905,541	A	3/1990	Alan		
4,918,969	A	4/1990	Takeuchi et al.		
4,967,867	A	11/1990	Fuller		
5,000,470	A	3/1991	Kamler et al.		
5,002,520	A	3/1991	Greenlaw		
5,020,819	A	6/1991	D'Aluisio et al.		
5,121,937	A	6/1992	Lawwill		
5,129,665	A	7/1992	Sutter et al.		
5,217,241	A	6/1993	Girvin		
5,226,674	A	7/1993	Buell et al.		
5,255,932	A	10/1993	Moore		
5,269,551	A	12/1993	Martin et al.		
5,273,301	A	12/1993	Klein		
5,316,327	A	5/1994	Bell		
5,326,331	A	7/1994	Hallock, III		
5,332,246	A	7/1994	Buell		
5,337,861	A	8/1994	Romano		
5,360,078	A	11/1994	Rifenburg et al.		
5,370,411	A	12/1994	Takamiya et al.		
5,403,028	A	4/1995	Trimble		
5,409,249	A	4/1995	Busby		



# US D593,457 S

Page 3

---

7,207,914	B2 *	4/2007	Chamberlain et al. ....	474/144	FR	986467	8/1951
2002/0070604	A1	6/2002	Kanehisa		FR	2 236 714	7/1975
2003/0038449	A1	2/2003	Gueugneaud		FR	2450145 A	9/1980
2003/0038450	A1	2/2003	Lam		FR	2 639 015	5/1990
2003/0236142	A1	12/2003	Yamamoto		FR	2673906	9/1992
2004/0046355	A1	3/2004	Carroll		FR	2687976	9/1993
2004/0094933	A1	5/2004	Probst		GB	500909 A	2/1939
2004/0130117	A1	7/2004	Lipton		GB	513749 A	10/1939
2004/0239071	A1	12/2004	Chamberlain		GB	810 243	3/1959
2005/0046142	A1 *	3/2005	Chamberlain .....	280/284	JP	55-153632	11/1980
2005/0046143	A1	3/2005	Chamberlain		JP	58-081531	5/1983
2005/0253357	A1	11/2005	Chang et al.		TW	220395	8/2004
2006/0284394	A1 *	12/2006	Chamberlain et al. ....	280/283			
2007/0191160	A1 *	8/2007	Chamberlain .....	474/82			

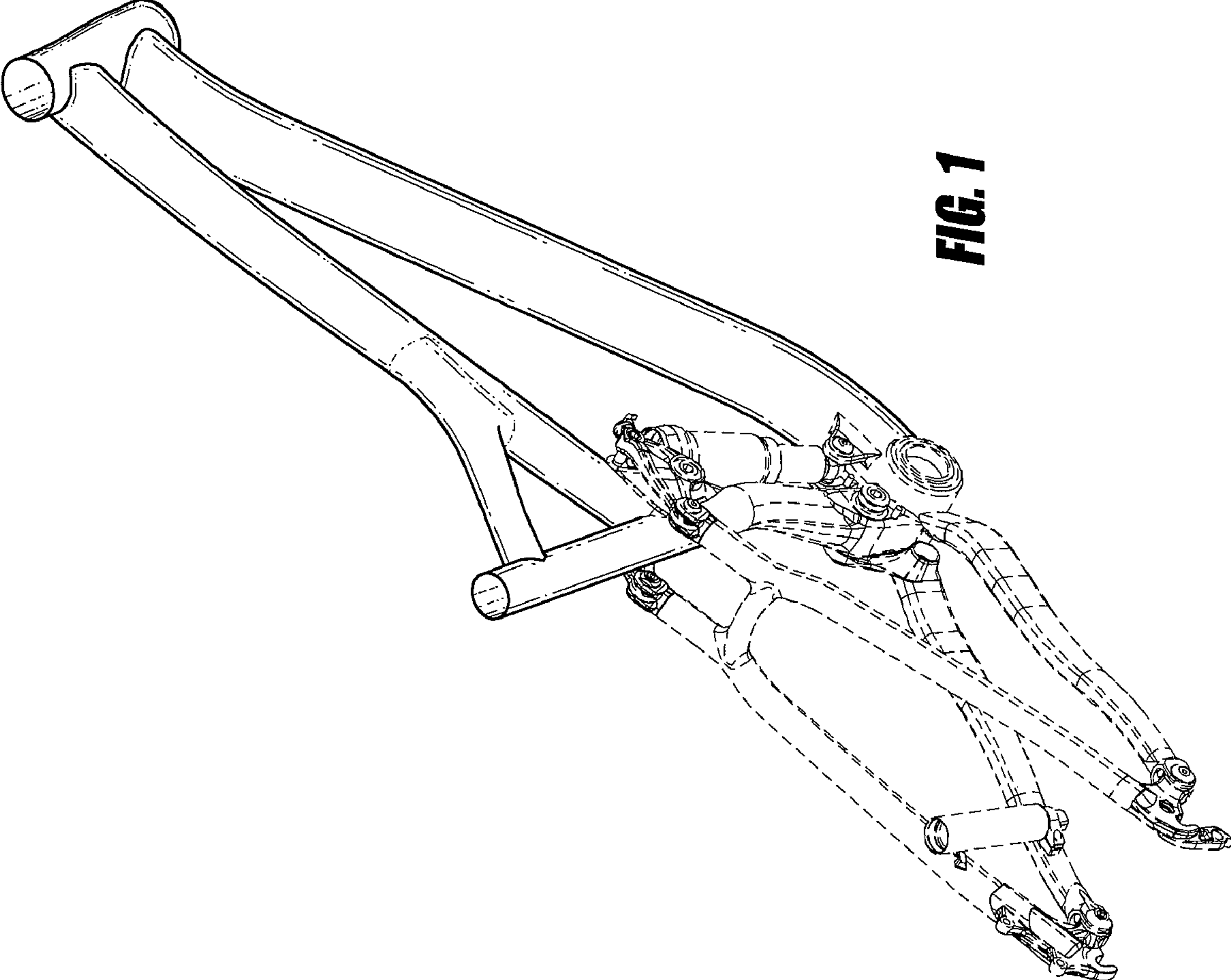
## FOREIGN PATENT DOCUMENTS

BE	383892	5/1854
DE	3937368	5/1991
EP	0 315 039	5/1989
EP	1 238 900 A2	9/2002

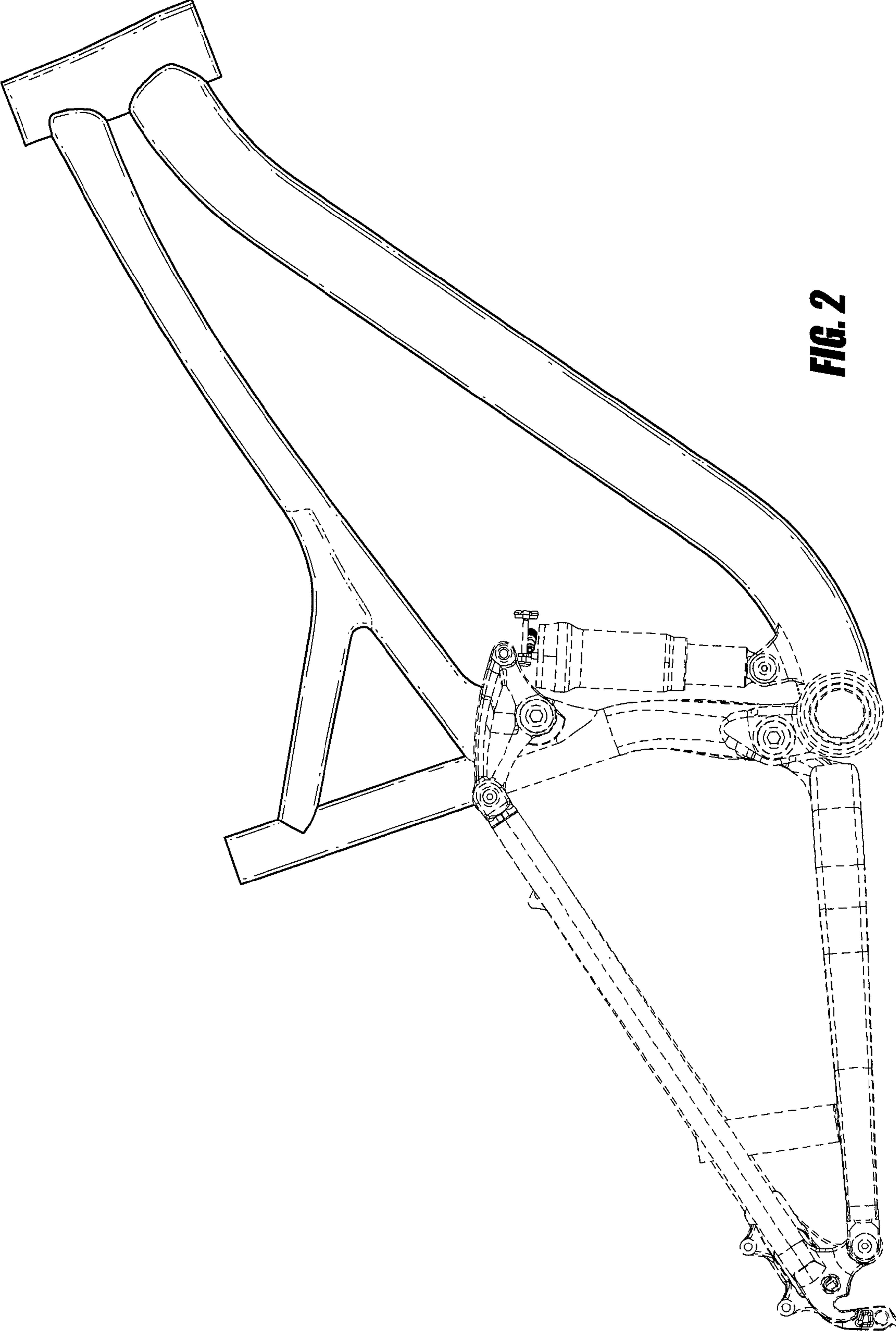
## OTHER PUBLICATIONS

Cannondale Jekyll™ Owner's Manual Supplement, Publication No. 115808.PDF, Aug. 2003.  
Ellsworth Internet Materials, <http://www.ellsworthbikes.com/bikes/id/idex.cfm> dated Nov. 3, 2004 in 5 pages.

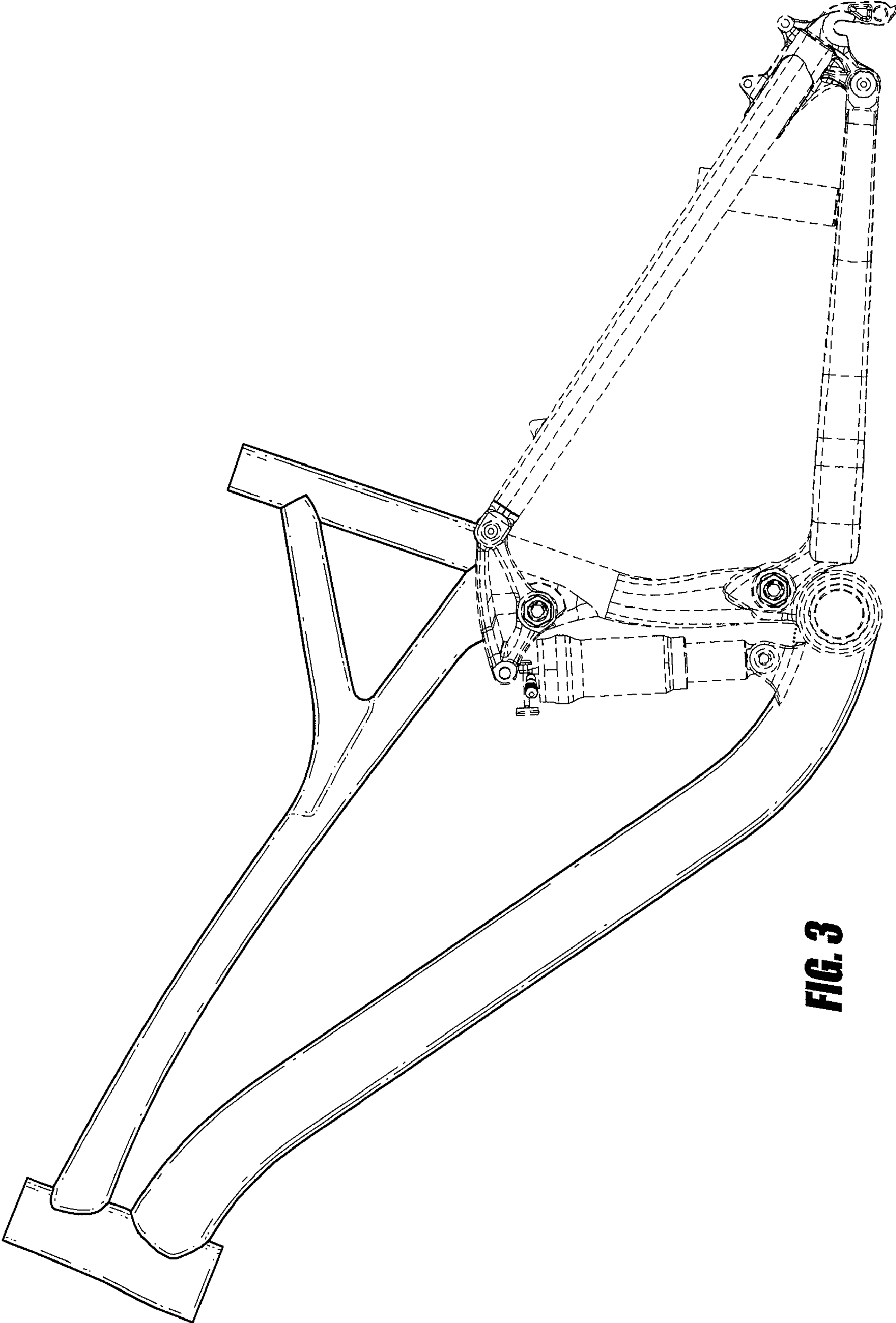
\* cited by examiner



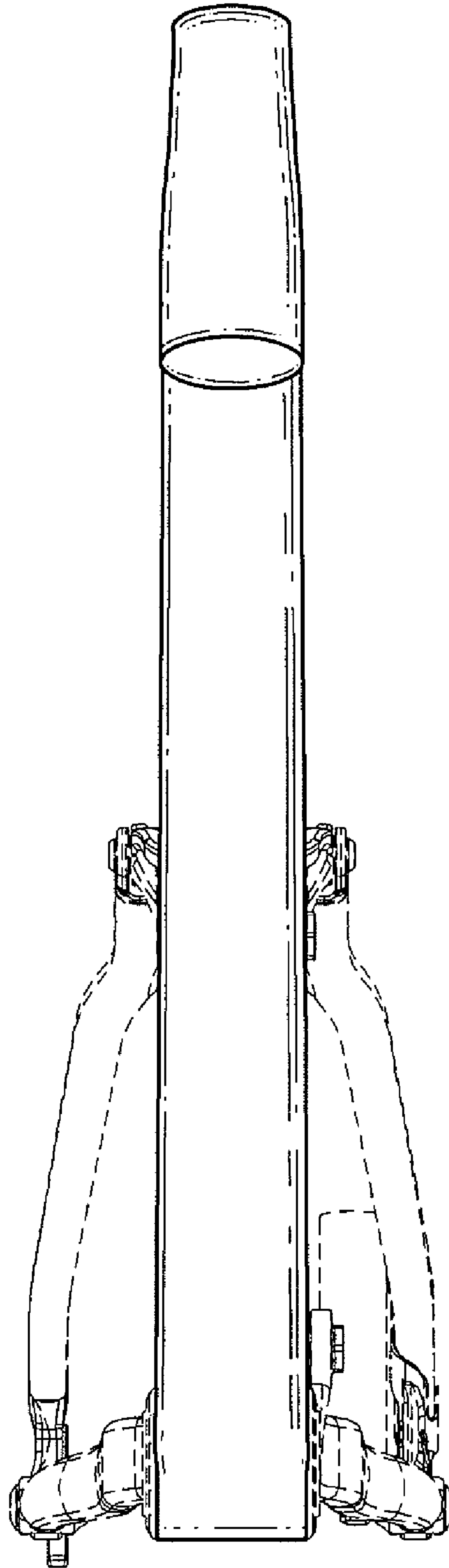
**FIG. 1**



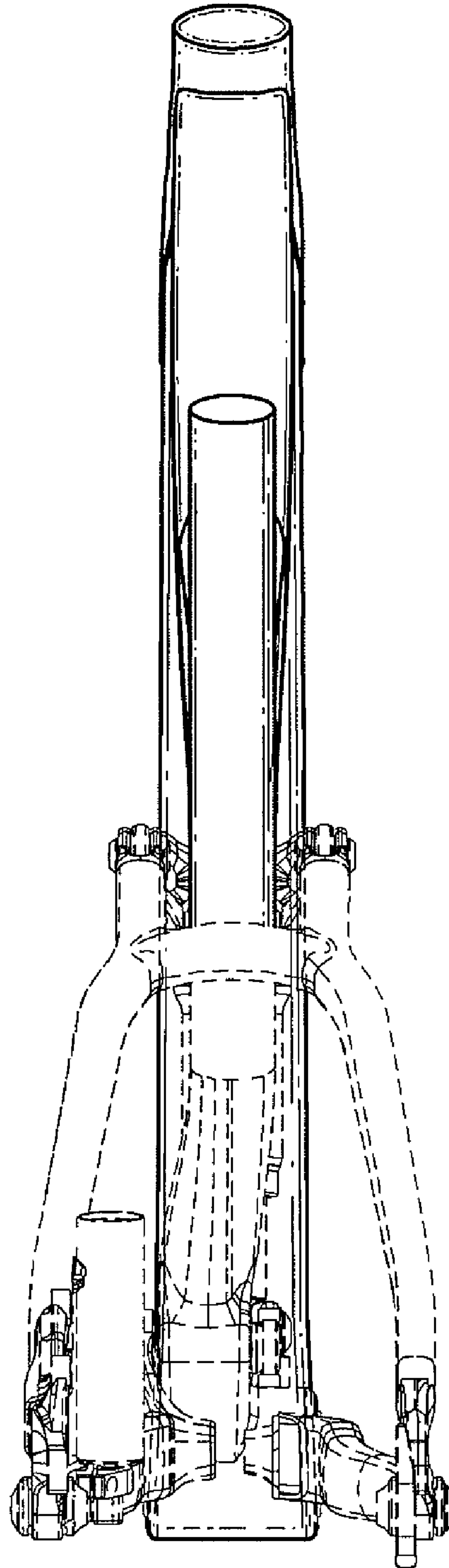
**FIG. 2**



**FIG. 3**

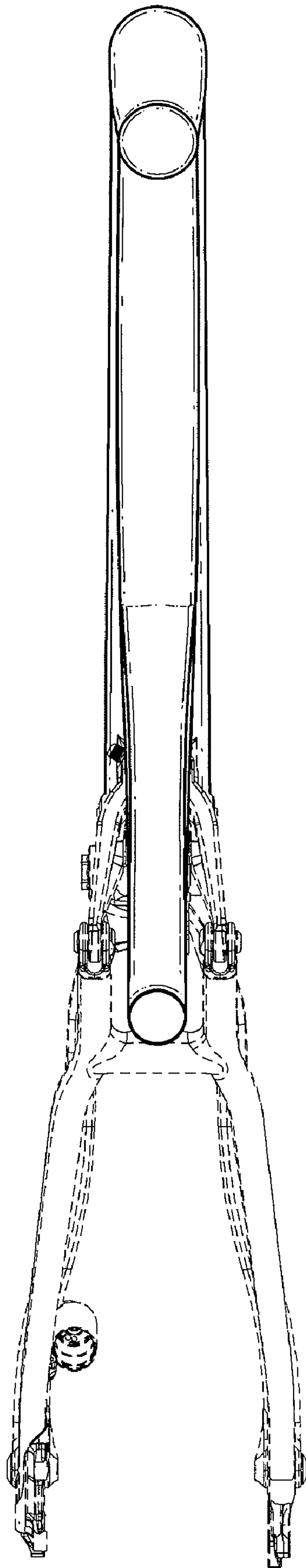


**FIG. 4**

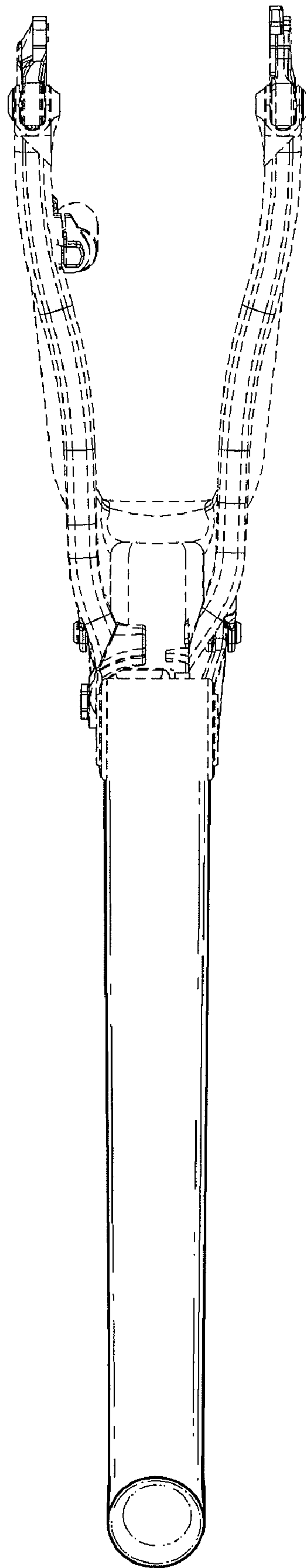


**FIG. 5**





**FIG. 6**



**FIG. 7**