



US00D593456S

(12) **United States Design Patent**  
**Sasaki et al.**

(10) **Patent No.:** **US D593,456 S**  
(45) **Date of Patent:** **\*\* Jun. 2, 2009**

(54) **MOTORCYCLE**

D557,638 S \* 12/2007 Nakamura et al. .... D12/110

(75) Inventors: **Kaoru Sasaki**, Shizuoka-ken (JP);  
**Satoshi Yoshida**, Tokyo-to (JP); **Satoshi**  
**Harizuka**, Tokyo-to (JP)

\* cited by examiner

*Primary Examiner*—Robin V Webster

*Assistant Examiner*—Linda Brooks

(74) *Attorney, Agent, or Firm*—Ostrolenk, Faber, Gerb &  
Soffen, LLP

(73) Assignee: **Yamaha Hatsudoki Kabushiki Kaisha**  
(JP)

(\*\*) Term: **14 Years**

(57) **CLAIM**

The ornamental design for a motorcycle, as shown.

(21) Appl. No.: **29/321,471**

**DESCRIPTION**

(22) Filed: **Jul. 17, 2008**

FIG. 1 is a front, left side, perspective view of a motorcycle showing our new design;

(51) **LOC (9) Cl.** ..... **12-11**

(52) **U.S. Cl.** ..... **D12/110**

(58) **Field of Classification Search** ..... D12/110;  
180/219, 220, 225, 229

FIG. 2 is a rear, right side, perspective view thereof;

FIG. 3 is a left side view thereof;

FIG. 4 is a right side view thereof;

FIG. 5 is a front view thereof;

FIG. 6 is a rear view thereof;

FIG. 7 is a top plan view thereof; and,

FIG. 8 is a bottom view thereof.

See application file for complete search history.

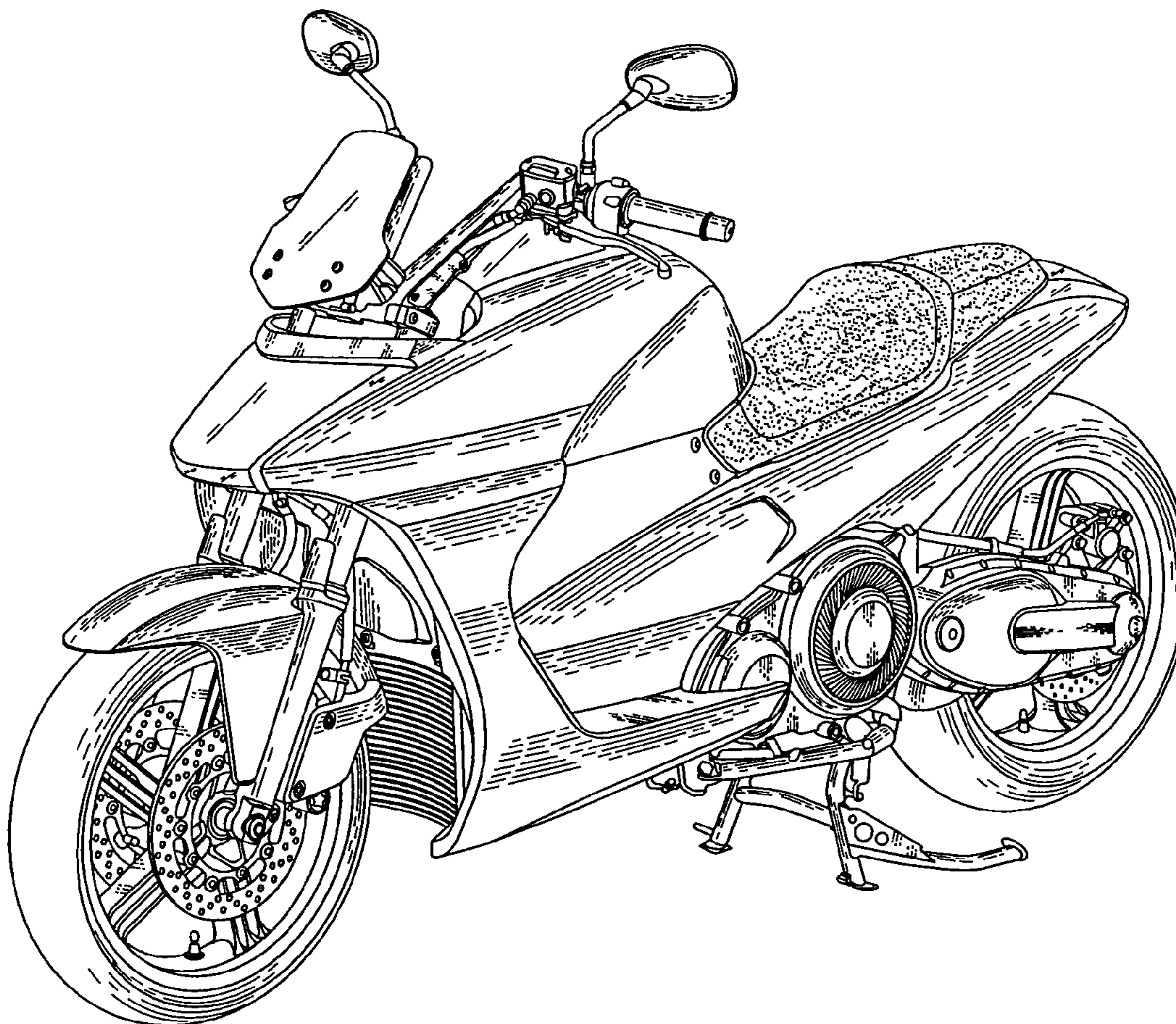
(56) **References Cited**

**U.S. PATENT DOCUMENTS**

D427,944 S \* 7/2000 Sakuma et al. .... D12/110

D556,640 S \* 12/2007 Wu ..... D12/110

**1 Claim, 4 Drawing Sheets**



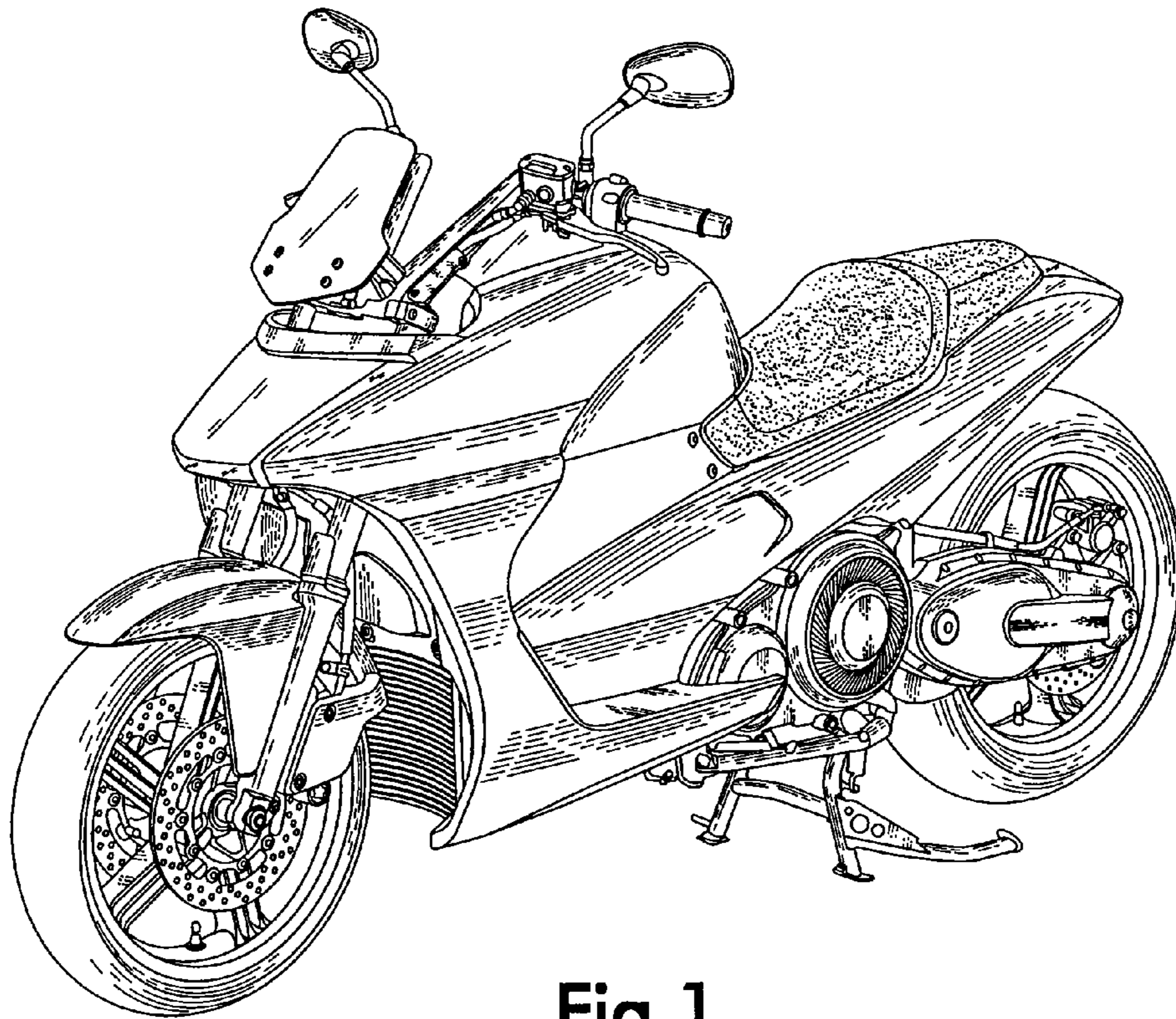


Fig. 1

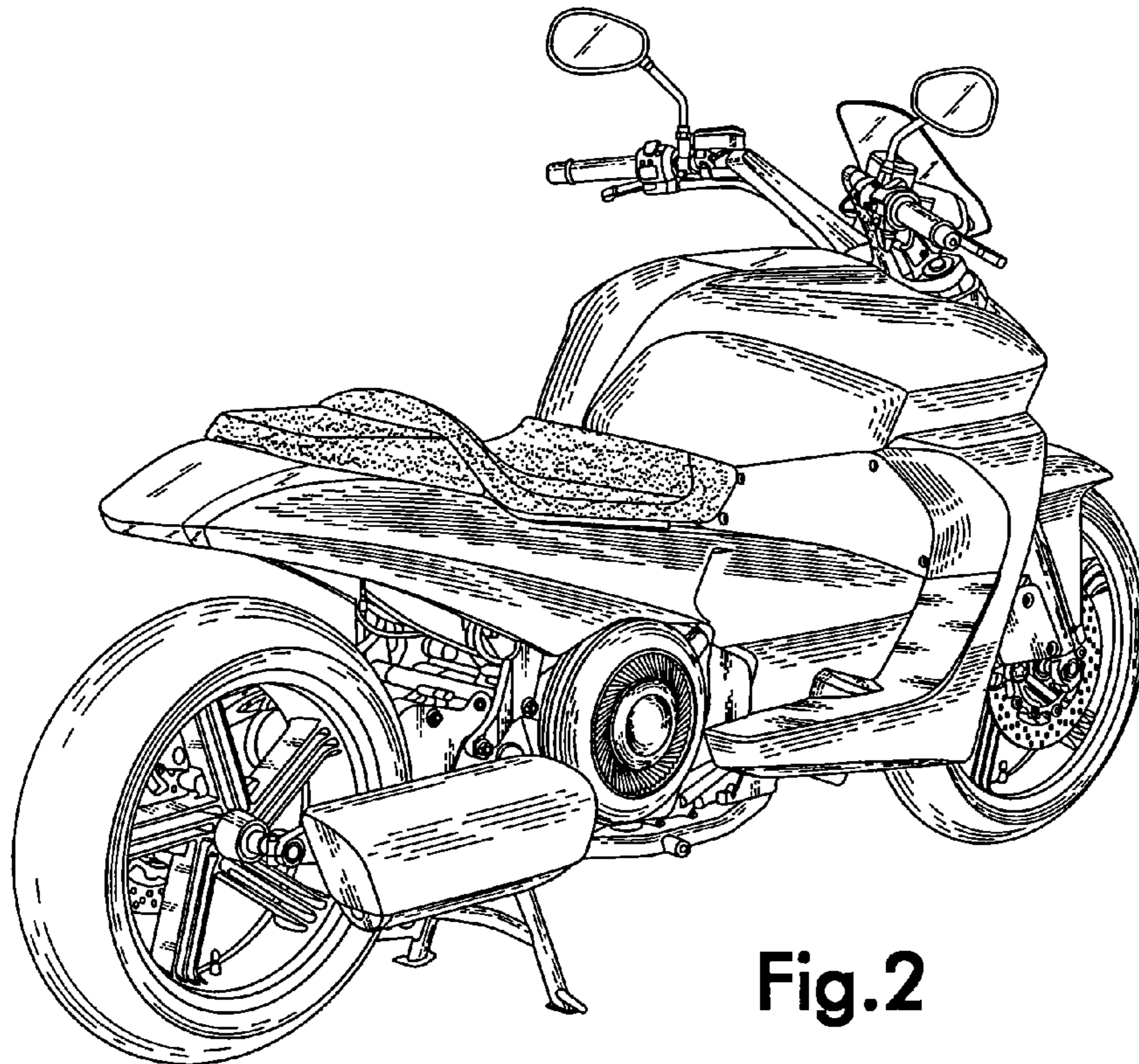


Fig. 2

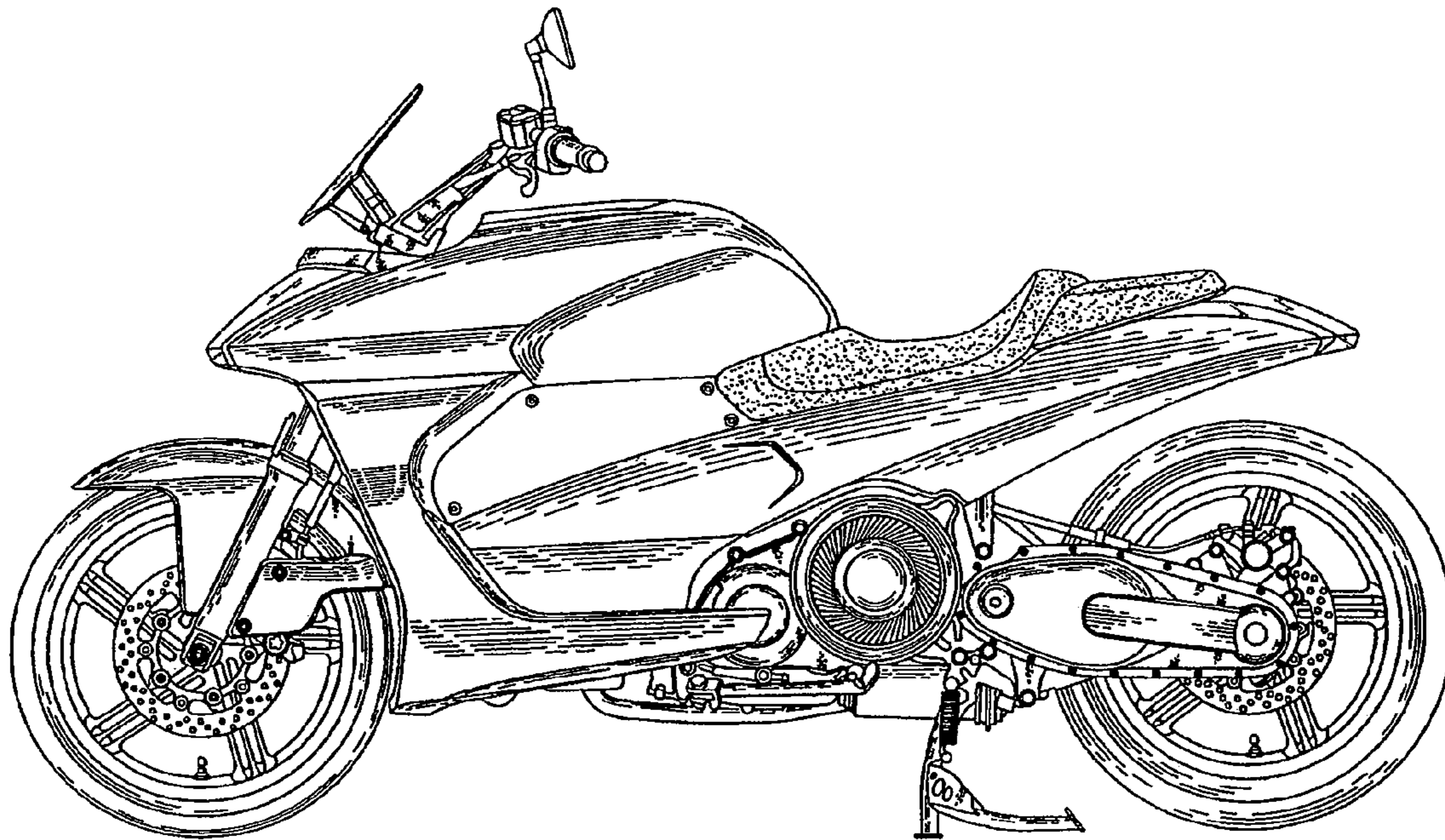


Fig.3

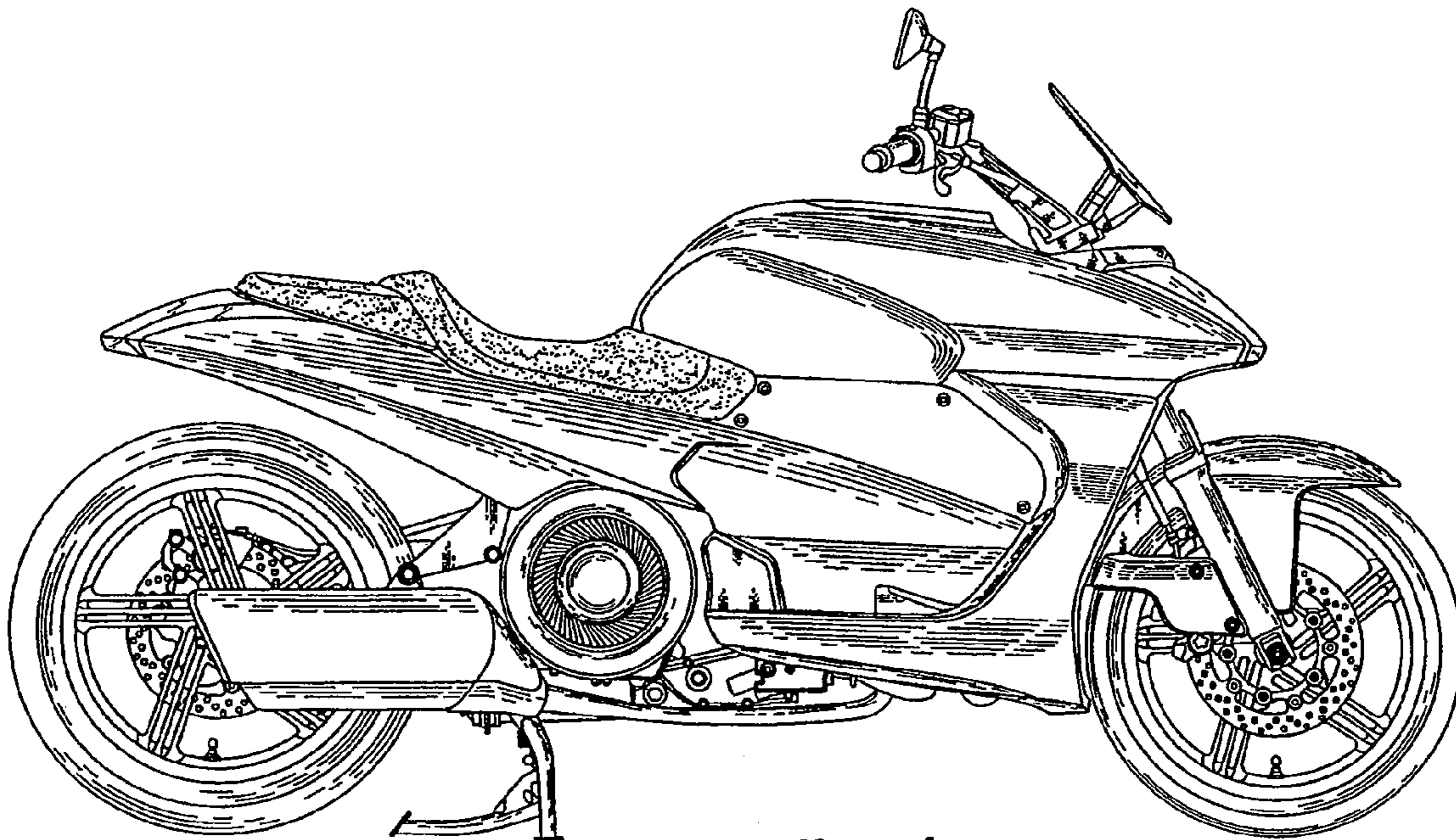
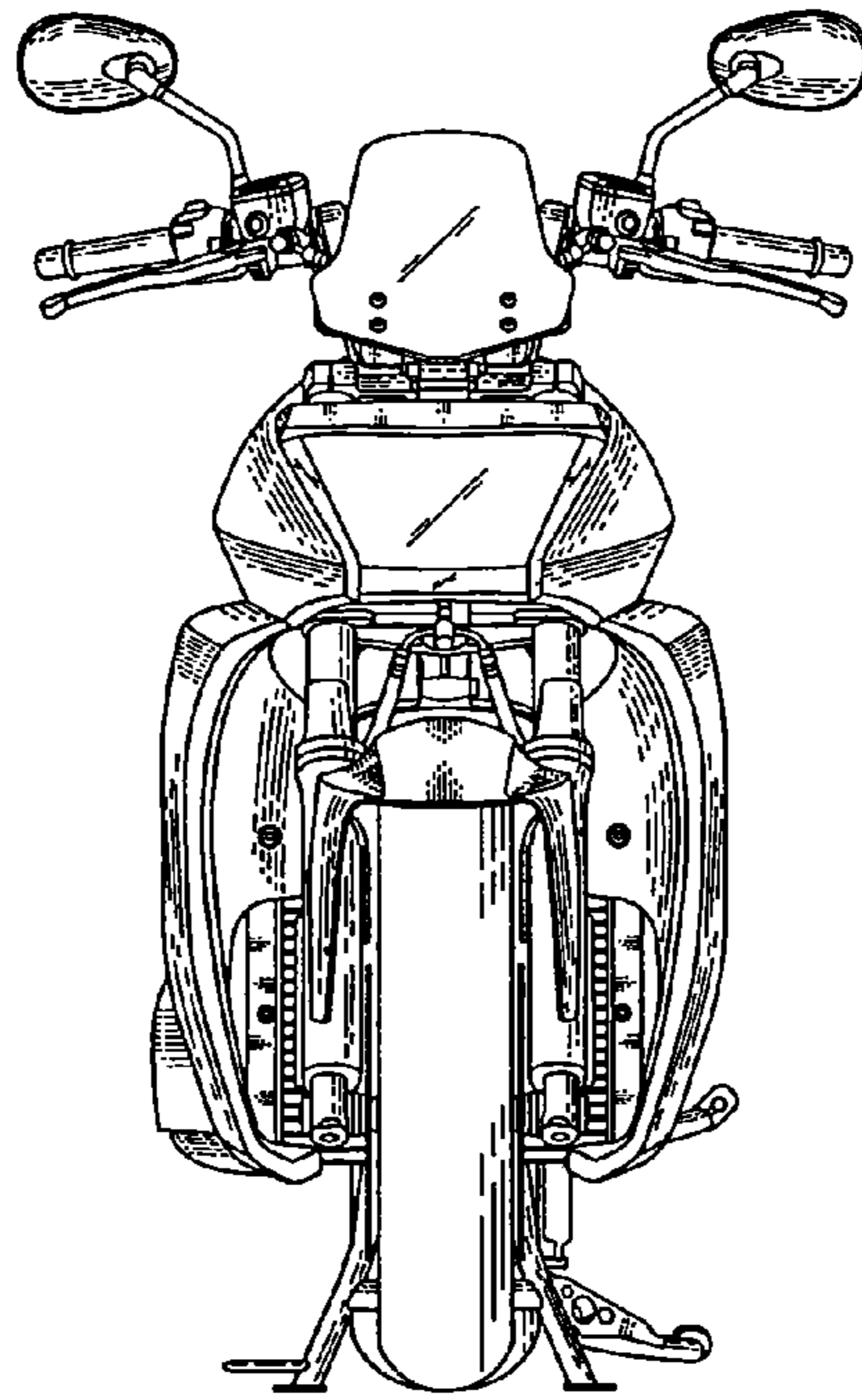
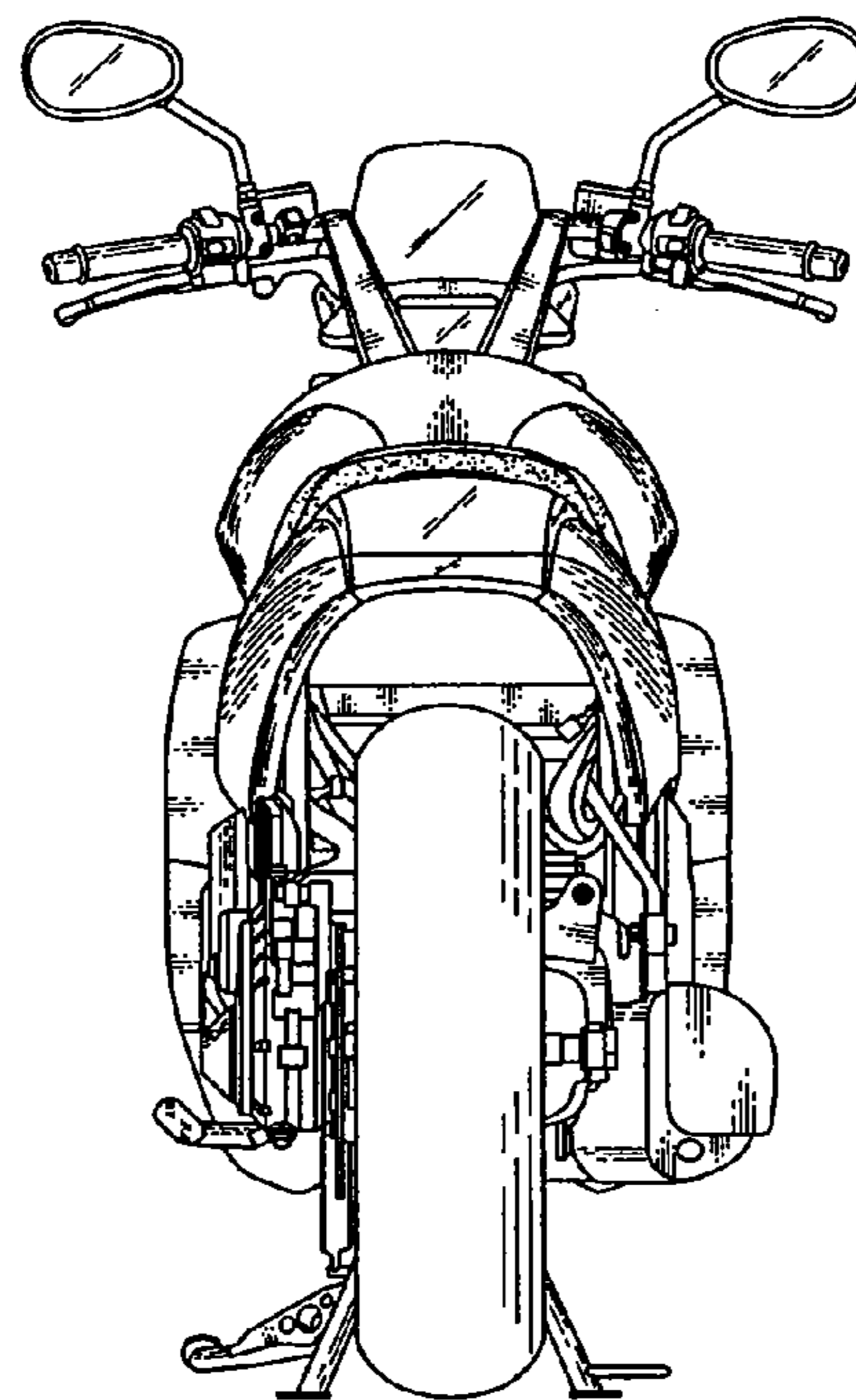


Fig.4



**Fig.5**



**Fig.6**

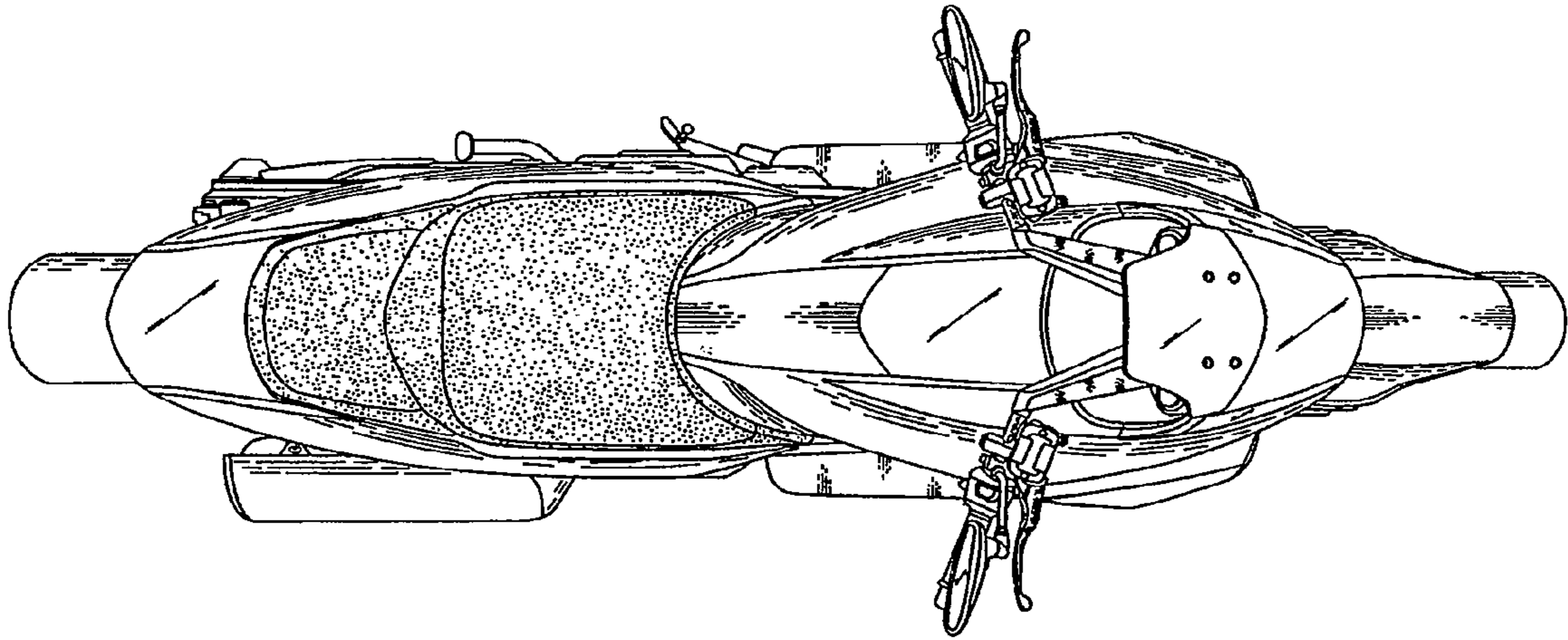


Fig.7

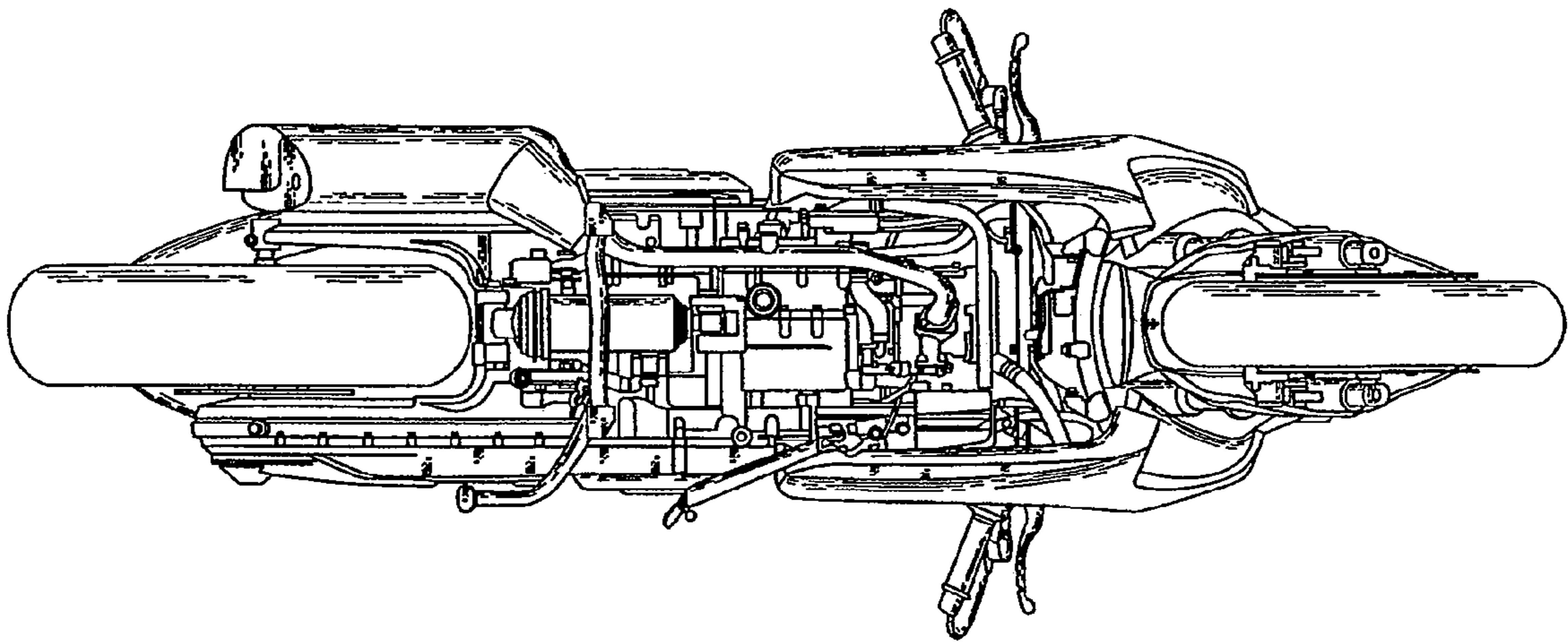


Fig.8