



US00D593453S

(12) **United States Design Patent**
Sanschagrín et al.

(10) **Patent No.:** **US D593,453 S**
(45) **Date of Patent:** **** Jun. 2, 2009**

(54) **REAR BODY ASSEMBLY FOR AN ALL-TERRAIN VEHICLE**
(75) Inventors: **Stephane Sanschagrín**, St-Hyacinthe (CA); **Jean-Philippe Crepeau**, Bromont (CA)

(73) Assignee: **Bombardier Recreational Products Inc.**, Valcourt (CA)

(**) Term: **14 Years**

(21) Appl. No.: **29/278,622**

(22) Filed: **Apr. 4, 2007**

(51) **LOC (9) Cl.** **12-11**

(52) **U.S. Cl.** **D12/107**

(58) **Field of Classification Search** D12/3, D12/86, 87, 107, 110, 181, 190, 186, 126, D12/184; 180/225, 229, 233, 311, 312; 296/193.01, 296/193.05, 193.08, 187.12, 191; 280/847-852, 280/152.1-152.3

See application file for complete search history.

(56) **References Cited**

U.S. PATENT DOCUMENTS

- D458,562 S 6/2002 Kalhok et al.
- D485,212 S 1/2004 Wu
- D485,213 S 1/2004 Wu
- D503,360 S 3/2005 Crepeau et al.
- D505,362 S 5/2005 Nakamura
- D511,123 S 11/2005 Lin
- D513,396 S 1/2006 Lin
- D515,978 S 2/2006 Luh
- D515,979 S 2/2006 Luh
- D516,466 S 3/2006 Nakazawa et al.
- D516,467 S 3/2006 Wu
- D516,960 S 3/2006 Luh
- D516,961 S 3/2006 Itaya et al.
- D517,450 S 3/2006 Wu
- D517,951 S 3/2006 Luh
- D518,759 S 4/2006 Kettler et al.
- D520,914 S 5/2006 Luh
- D522,410 S 6/2006 Lin
- D522,924 S 6/2006 Yokoyama et al.
- D523,781 S 6/2006 Hirano
- D523,782 S 6/2006 Lin

- D528,044 S 9/2006 Ichikawa et al.
- D529,413 S 10/2006 Basset et al.
- D529,414 S 10/2006 Wu et al.
- D529,840 S 10/2006 Sugawara
- D531,550 S 11/2006 Hirano
- D532,339 S 11/2006 Hishiki
- D534,100 S 12/2006 Kinoshita
- D539,705 S 4/2007 Ichikawa et al.
- D541,704 S 5/2007 Tanaka et al.
- D542,187 S 5/2007 Tanaka et al.
- D542,188 S 5/2007 Miwa et al.

OTHER PUBLICATIONS

- U.S. Appl. No. 29/278,621. Title: Fenders; filed Apr. 4, 2007.
- U.S. Appl. No. 29/278,618. Title: Portion of an All-Terrain Vehicle Body; filed Apr. 4, 2007.
- U.S. Appl. No. 29/278,617. Title: Front Portion of an All-Terrain Vehicle Body; filed Apr. 4, 2007.
- U.S. Appl. No. 29/278,620. Title: All-terrain Vehicle Body; filed Apr. 4, 2007.

Primary Examiner—Cathron C Brooks
Assistant Examiner—Linda Brooks
(74) *Attorney, Agent, or Firm*—Osler, Hoskin & Harcourt LLP

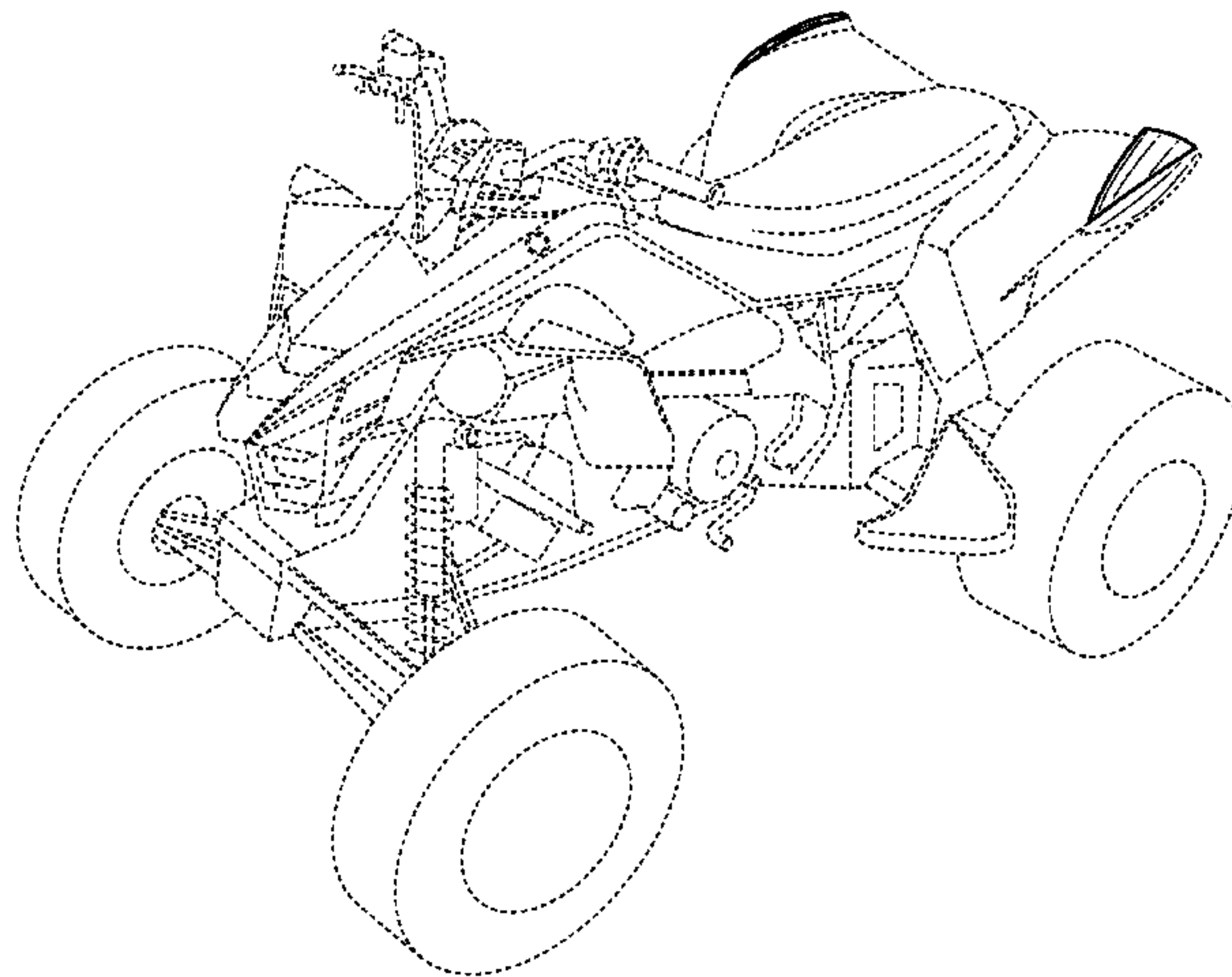
(57) **CLAIM**

The ornamental design for a rear body assembly for an all-terrain vehicle, as shown and described.

DESCRIPTION

FIG. 1 is a perspective view from the front and left side of the rear body assembly for an all-terrain vehicle according to our design;
FIG. 2 is a top plan view thereof;
FIG. 3 is a front elevational view thereof;
FIG. 4 is a rear elevational view thereof; and,
FIG. 5 is a left side elevational view thereof, the right side elevational view being a mirror image of the left side elevational view.
Throughout the Figures, the broken lines showing structure form no part of the claimed design.

1 Claim, 4 Drawing Sheets



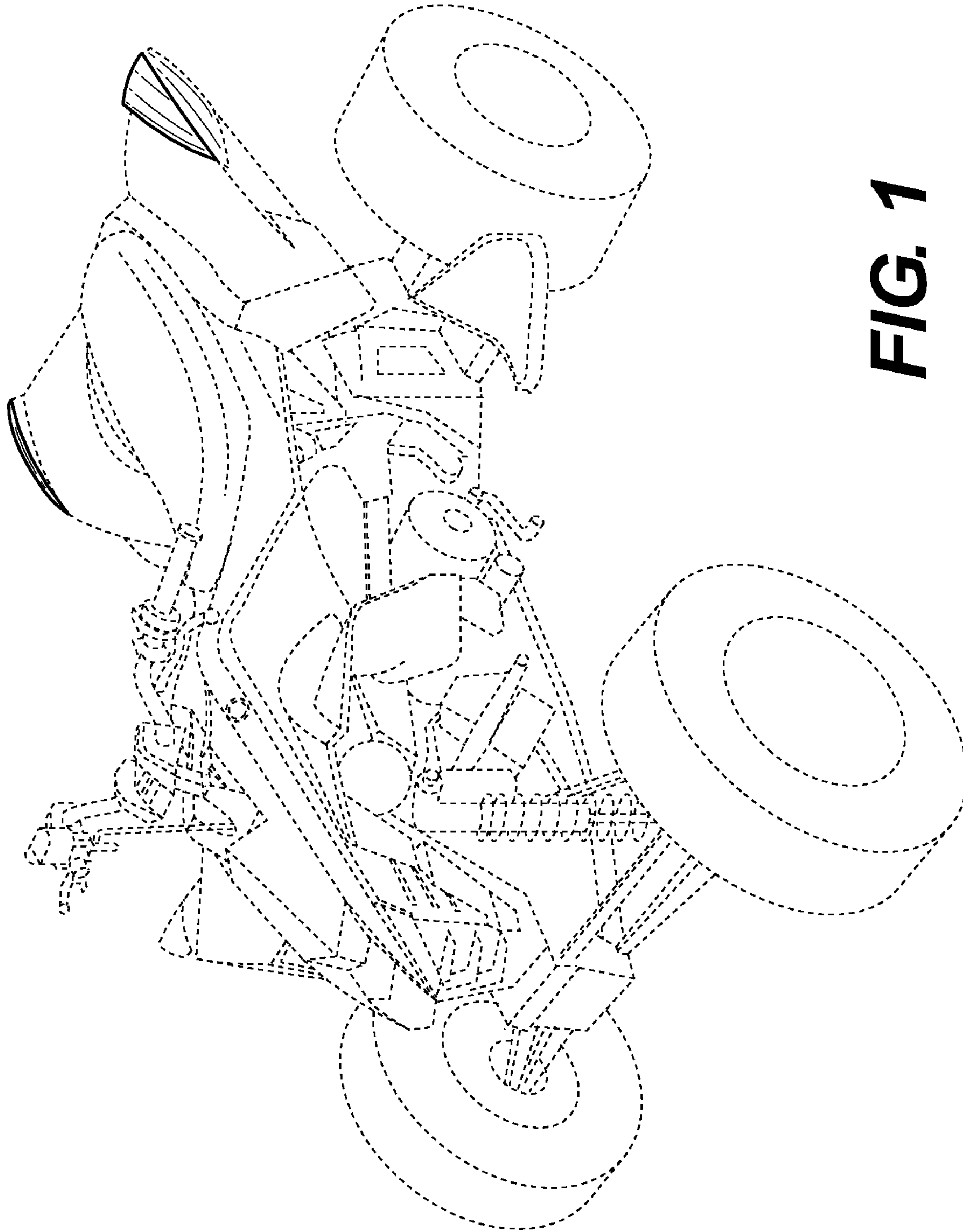


FIG. 1

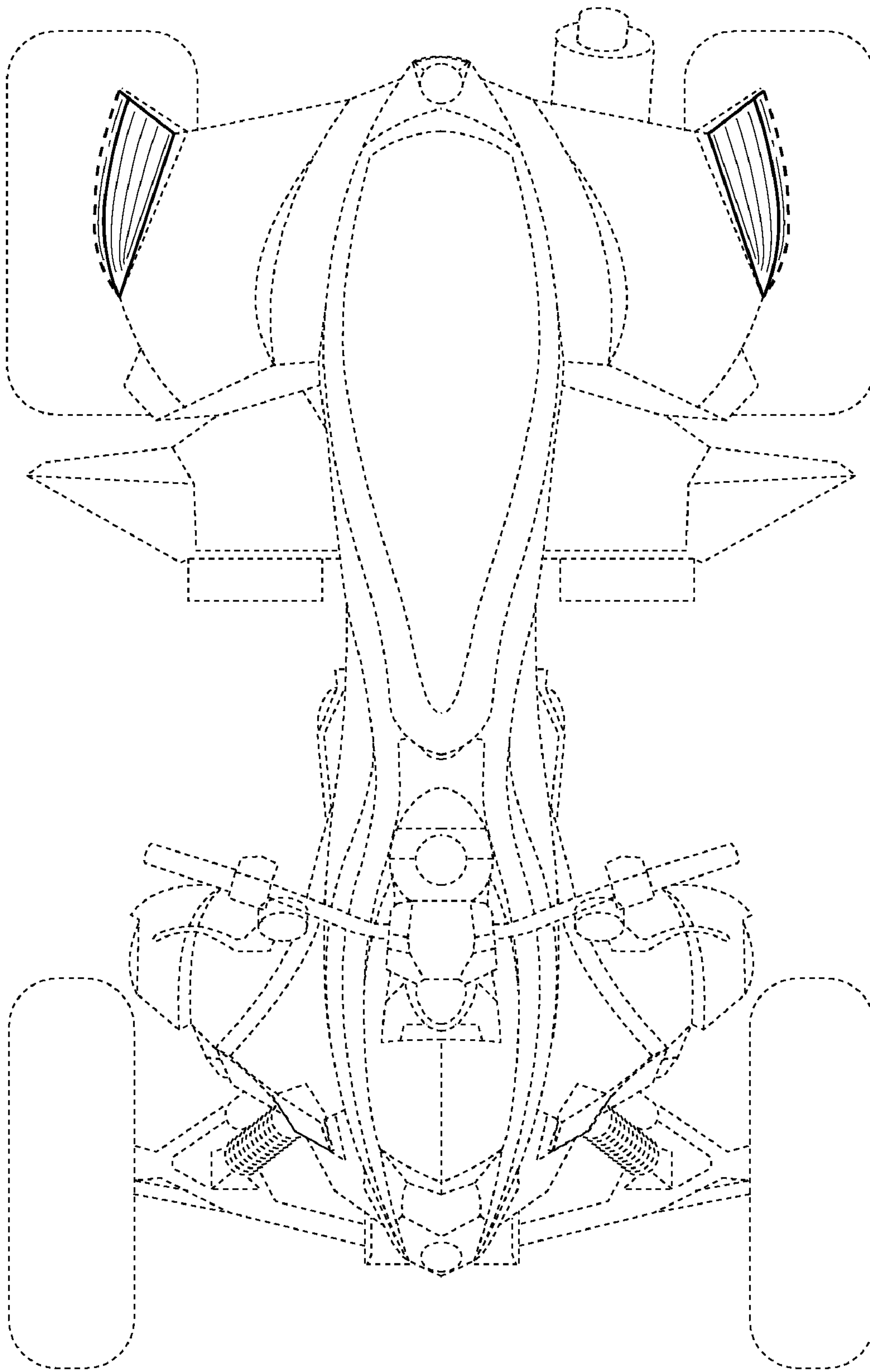


FIG. 2

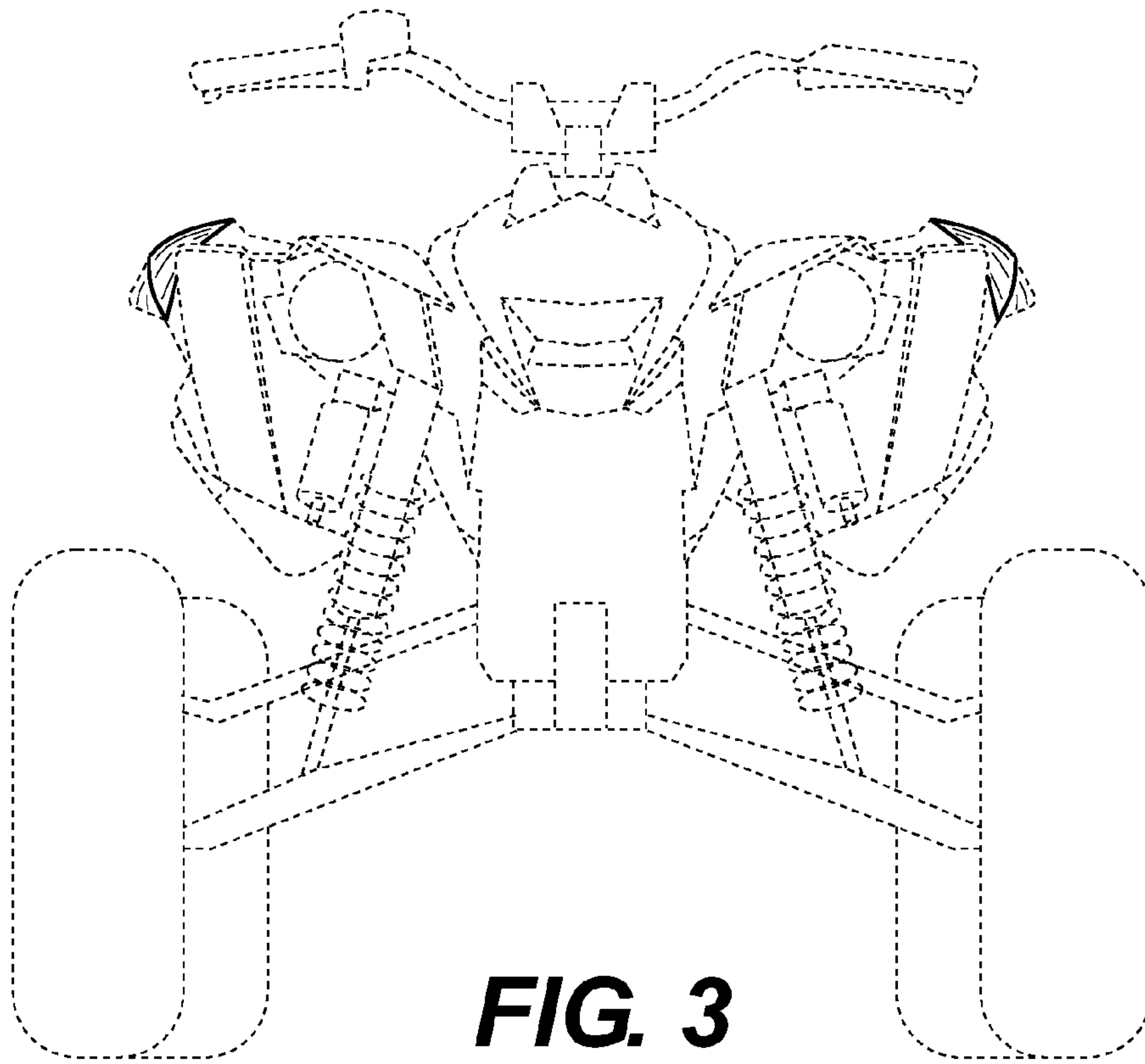


FIG. 3

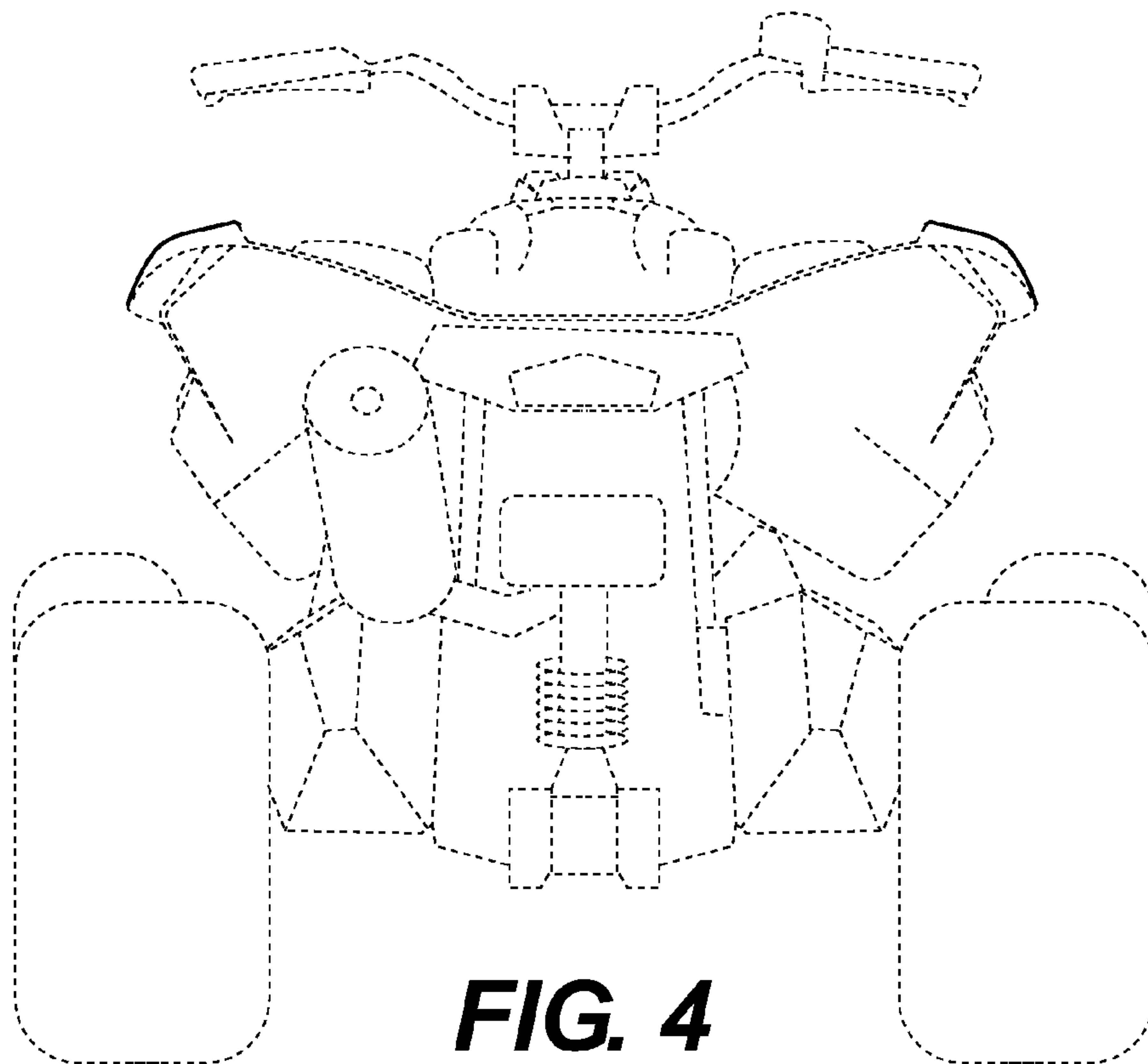


FIG. 4

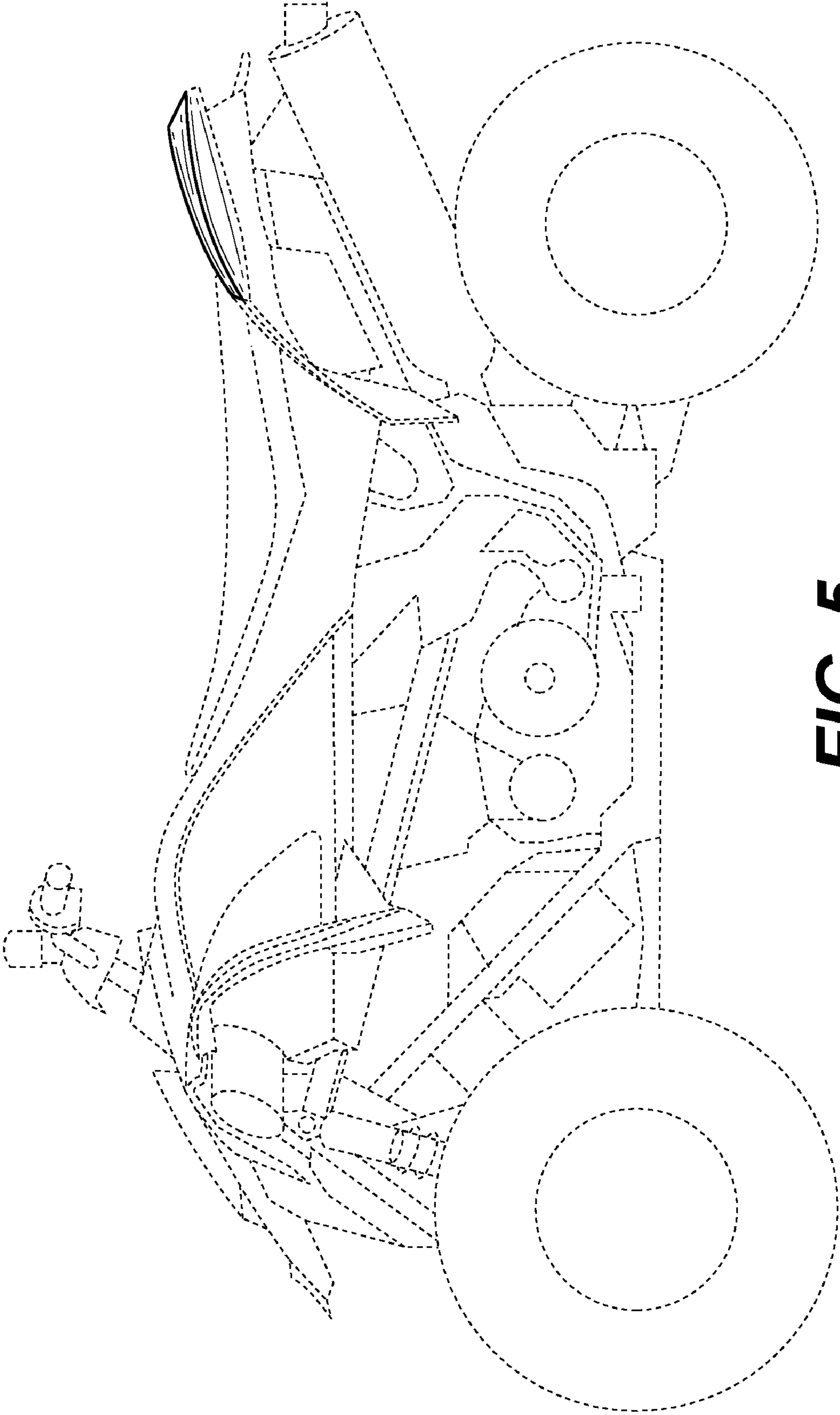


FIG. 5