



US00D593451S

(12) **United States Design Patent**
Sayegh

(10) **Patent No.:** **US D593,451 S**

(45) **Date of Patent:** **** Jun. 2, 2009**

(54) **ELECTRONIC ARTICLE SURVEILLANCE
ALARMING TAG**

2007/0067971 A1* 3/2007 Nguyen et al. 24/704.1
2007/0096925 A1* 5/2007 Yang et al. 340/572.9
2007/0182569 A1* 8/2007 Lynce et al. 340/572.9

(76) **Inventor:** **Adel O. Sayegh**, 5143 Paddock Pl.,
Rancho Cucamonga, CA (US) 97137

* cited by examiner

(**) **Term:** **14 Years**

Primary Examiner—Caron Veynar

Assistant Examiner—George D Kirschbaum

(21) **Appl. No.:** **29/317,292**

(74) *Attorney, Agent, or Firm*—Milord A. Keshishian

(22) **Filed:** **Apr. 25, 2008**

(57) **CLAIM**

(51) **LOC (9) Cl.** **10-05**

An ornamental design for an electronic article surveillance alarming tag, as shown and described.

(52) **U.S. Cl.** **D12/106**

(58) **Field of Classification Search** D10/104–121;
340/546, 568.1, 568.2, 572.9; 70/57.1; D20/22
See application file for complete search history.

DESCRIPTION

(56) **References Cited**

FIG. 1 is a top-rear perspective view of the electronic article surveillance alarming tag;

FIG. 2 is a top plan view thereof;

FIG. 3 is a frontal elevational view thereof;

FIG. 4 is a rear elevational view thereof;

FIG. 5 is a left side elevational view thereof, the right side being a mirror image thereof; and,

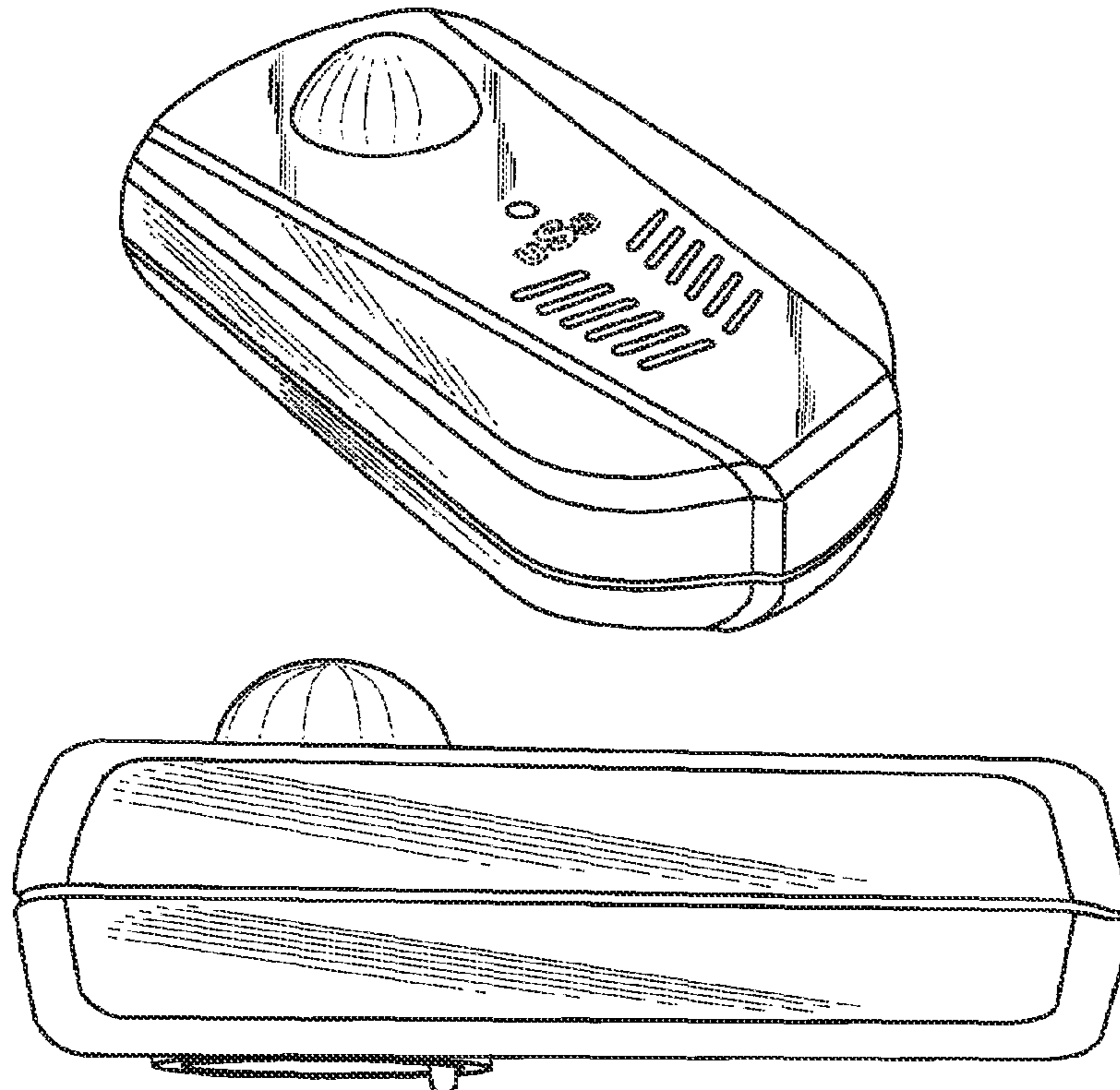
FIG. 6 is a bottom plan view thereof.

In the drawings, the broken line showing of a lettering depicts environmental subject matter and forms no part of the claim.

U.S. PATENT DOCUMENTS

6,121,878	A *	9/2000	Brady et al.	340/572.1
6,255,950	B1 *	7/2001	Nguyen	340/572.8
D466,426	S *	12/2002	Proulx et al.	D10/104
D466,427	S *	12/2002	Huehner et al.	D10/104
7,062,823	B2 *	6/2006	Copen et al.	24/704.1
2002/0158762	A1 *	10/2002	Nguyen et al.	340/572.9
2005/0091809	A1 *	5/2005	Xue et al.	24/704.1
2005/0270161	A1 *	12/2005	Yang et al.	340/572.9
2007/0024448	A1 *	2/2007	Sayegh	340/572.1

1 Claim, 2 Drawing Sheets



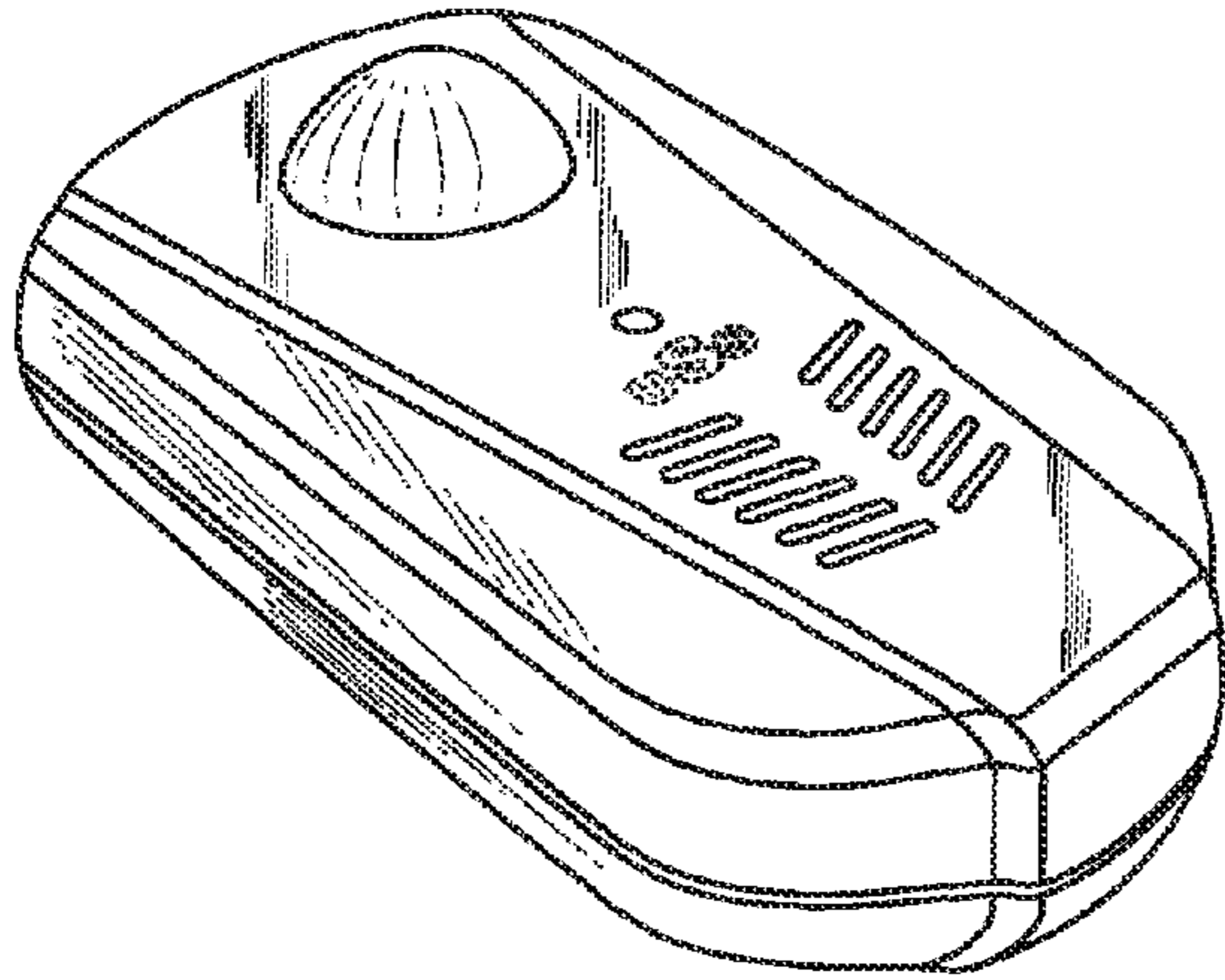


Fig. 1

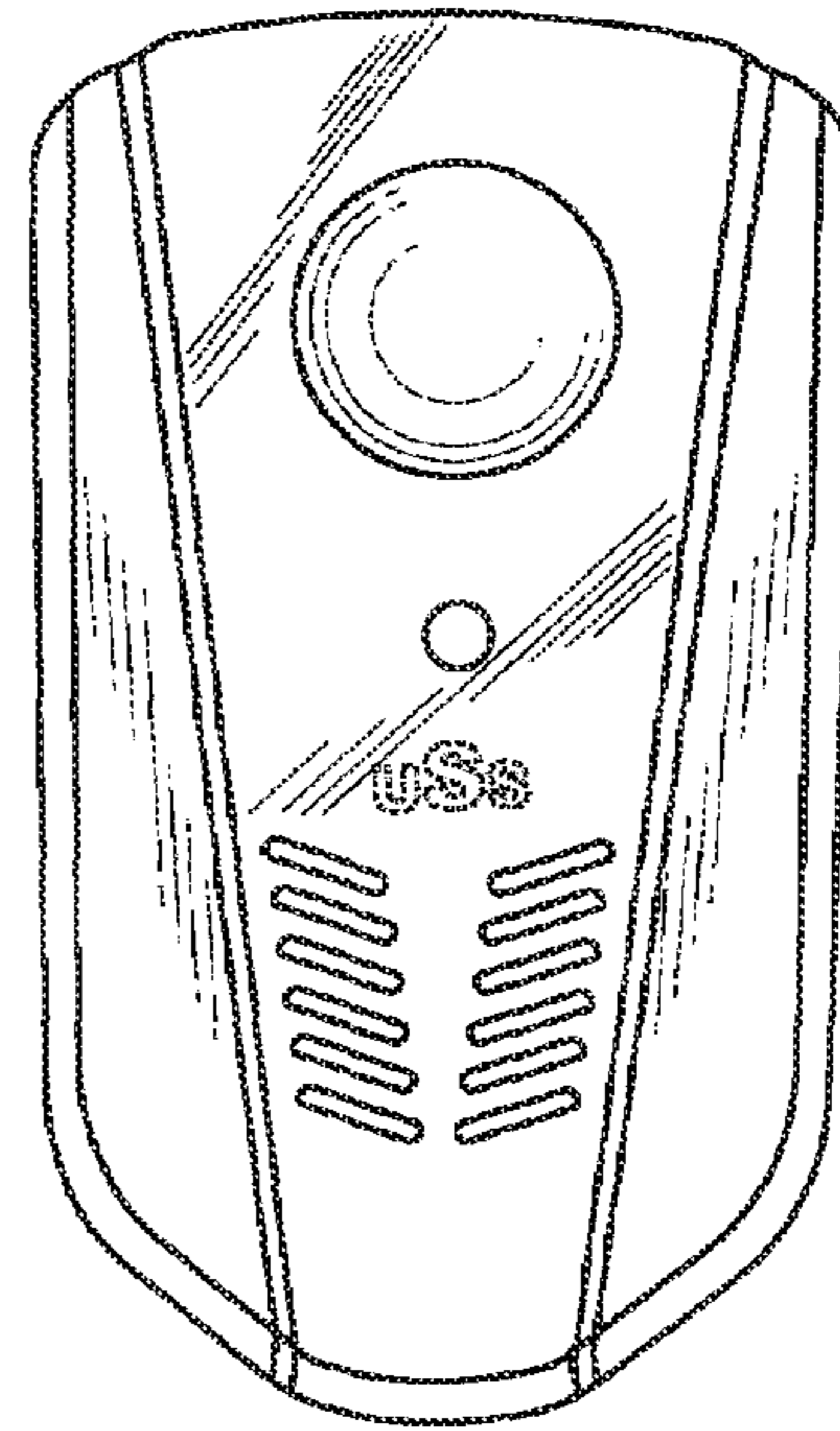


Fig. 2

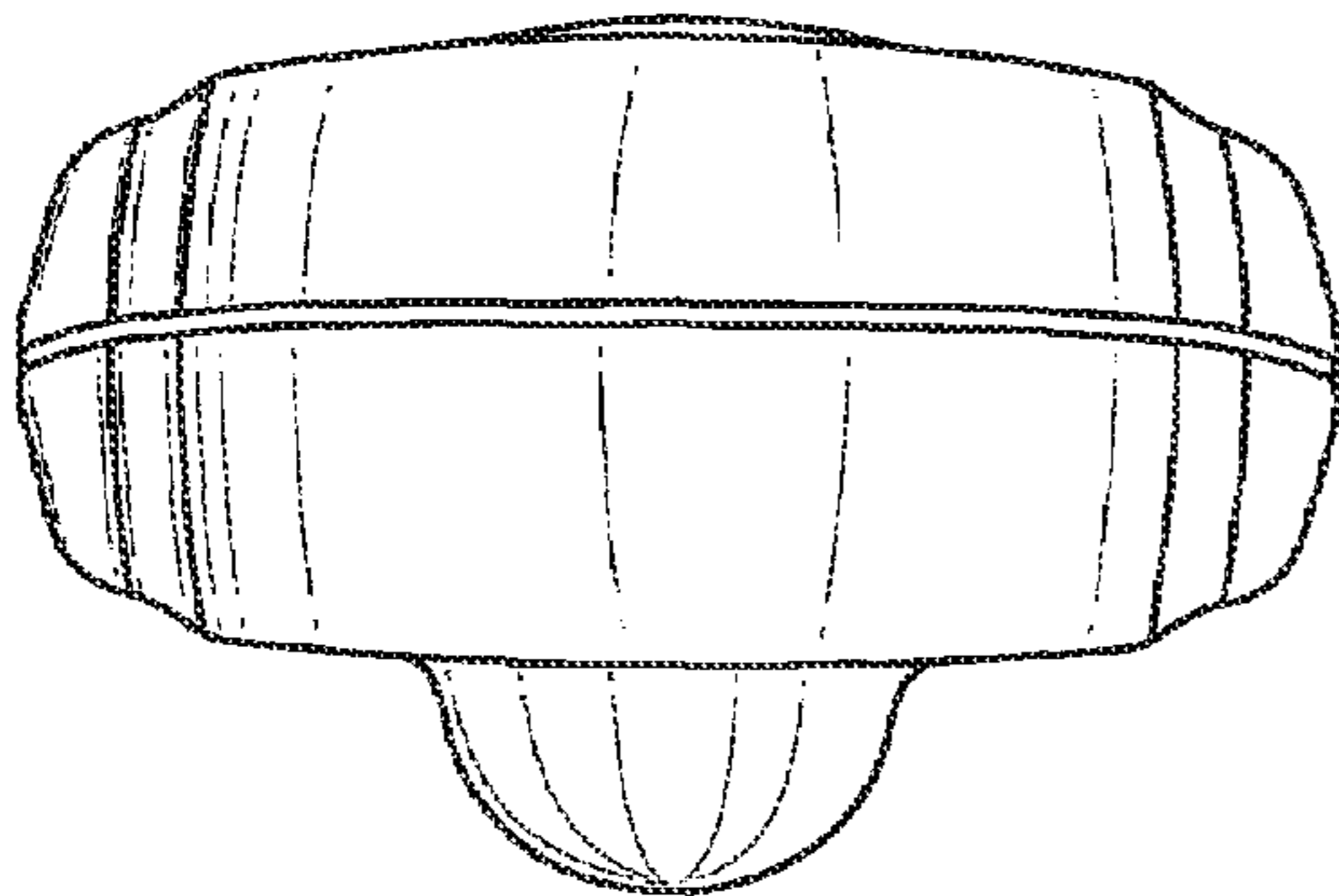


Fig. 3

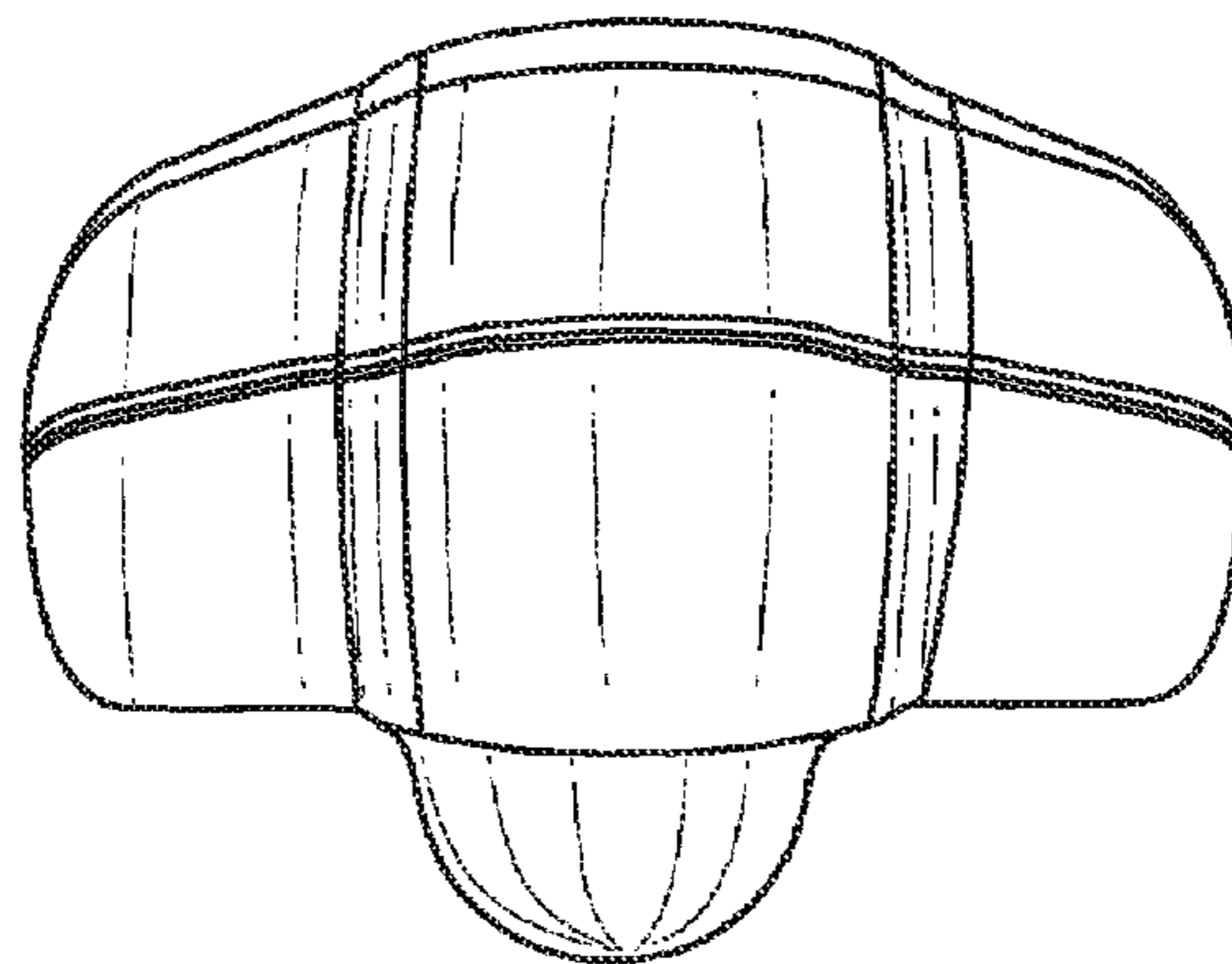


Fig. 4

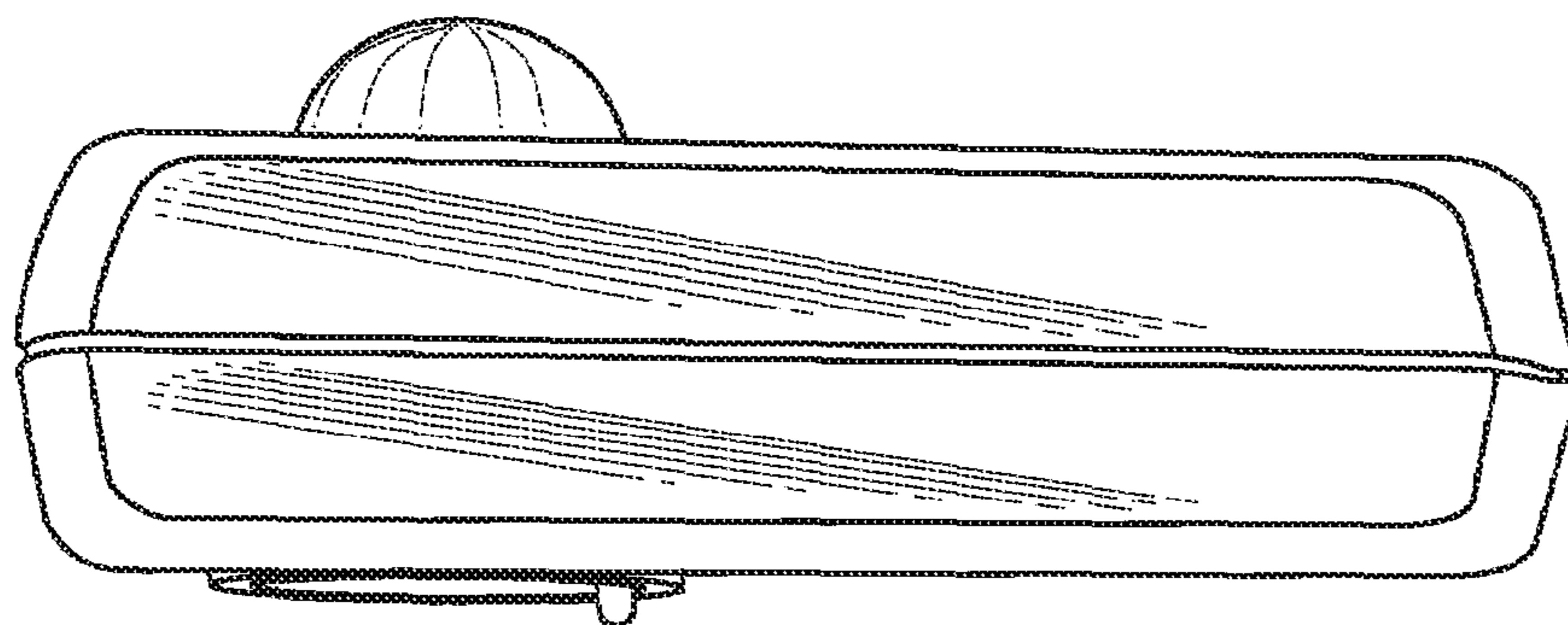


Fig. 5

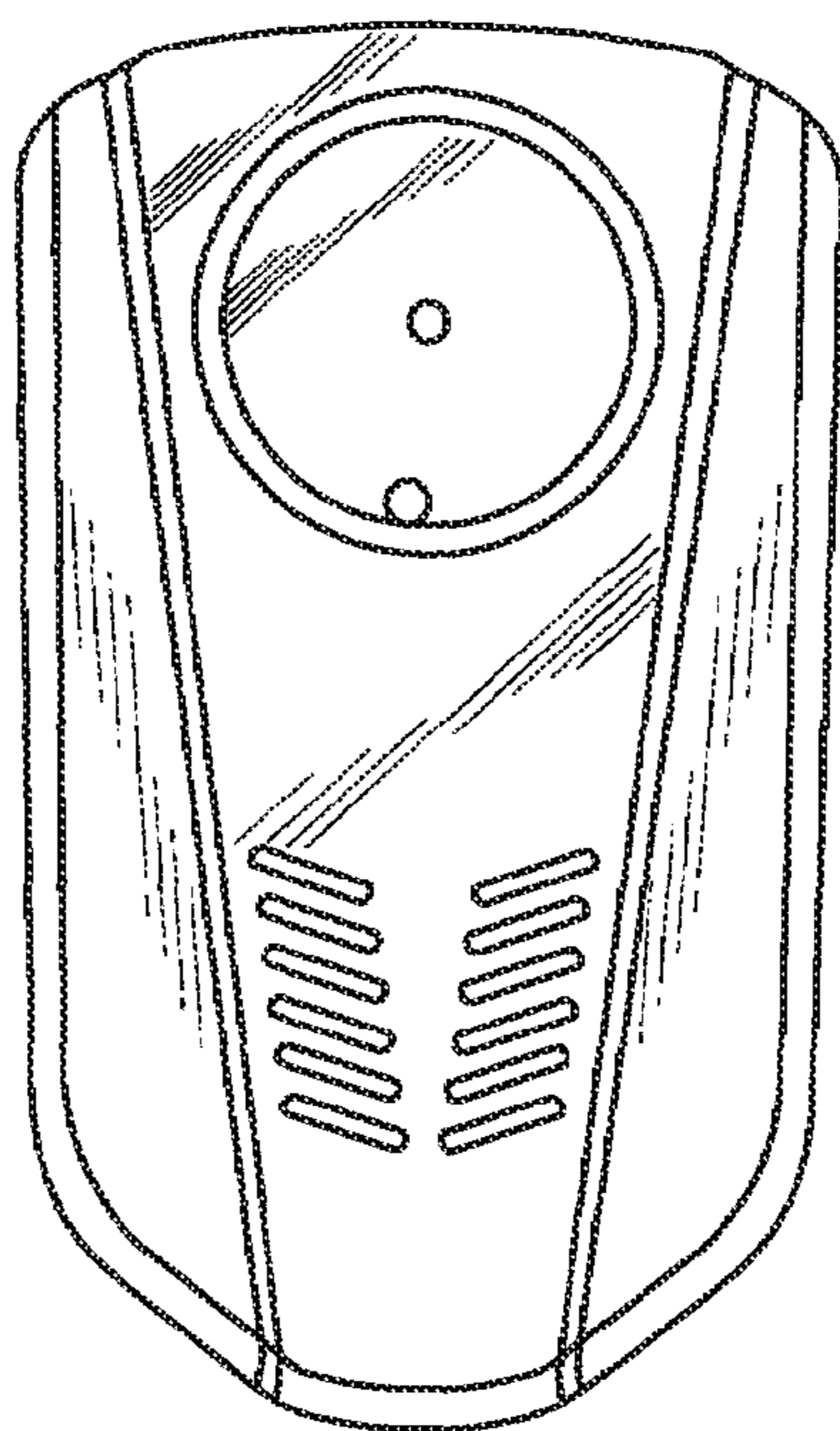


Fig. 6