



US00D593450S

(12) **United States Design Patent**  
**Green, Jr. et al.**

(10) **Patent No.:** **US D593,450 S**  
(45) **Date of Patent:** **\*\* Jun. 2, 2009**

(54) **ARMORED VEHICLE**

(75) Inventors: **Paul C. Green, Jr.**, Mt. Pleasant, SC  
(US); **Randy L. Baxley**, Ladson, SC  
(US)

(73) Assignee: **Force Protection Industries, Inc.**,  
Ladson, SC (US)

(\*\*) Term: **14 Years**

(21) Appl. No.: **29/274,990**

(22) Filed: **Jun. 15, 2007**

**Related U.S. Application Data**

(63) Continuation-in-part of application No. 29/245,736,  
filed on Dec. 29, 2005, now Pat. No. Des. 548,646.

(51) **LOC (9) Cl.** ..... **12-13**

(52) **U.S. Cl.** ..... **D12/12**

(58) **Field of Classification Search** ..... D12/86-89,  
D12/12, 91, 92, 1-4, 98-100; D21/533,  
D21/539, 548-552, 557-60, 579, 580-583,  
D21/442, 436, 447, 560, 86, 91; 180/232,  
180/242, 89.12, 449; 410/57; 89/36.8, 36.09,  
89/37.03, 38, 40.03, 36 F, 36 H, 4 B, 36.1,  
89/36.13; 446/471, 487; 296/181.3, 1.01,  
296/183, 24.1, 37.6, 185, 186, 204, 186.1;  
280/838, 839

See application file for complete search history.

(56) **References Cited**

**U.S. PATENT DOCUMENTS**

2,382,862 A \* 8/1945 Davis, Jr. .... 89/36.08

D262,099 S \* 12/1981 Harding ..... D12/12  
4,351,558 A \* 9/1982 Mueller ..... 296/203.01  
5,663,520 A \* 9/1997 Ladika et al. .... 89/36.08  
D465,435 S \* 11/2002 Legueu ..... D12/12  
D484,438 S \* 12/2003 Knoth et al. .... D12/12  
7,225,718 B1 \* 6/2007 Grove et al. .... 89/36.09

\* cited by examiner

*Primary Examiner*—T. Chase Nelson

*Assistant Examiner*—Ania K Dworzecka

(74) *Attorney, Agent, or Firm*—Finnegan, Henderson,  
Farabow, Garrett and Dunner, LLP

(57) **CLAIM**

The ornamental design for an armored vehicle, as shown and  
described.

**DESCRIPTION**

FIG. 1 is a front perspective view of an armored vehicle  
showing our new design;

FIG. 2 is a rear perspective view thereof;

FIG. 3 is a left side view thereof;

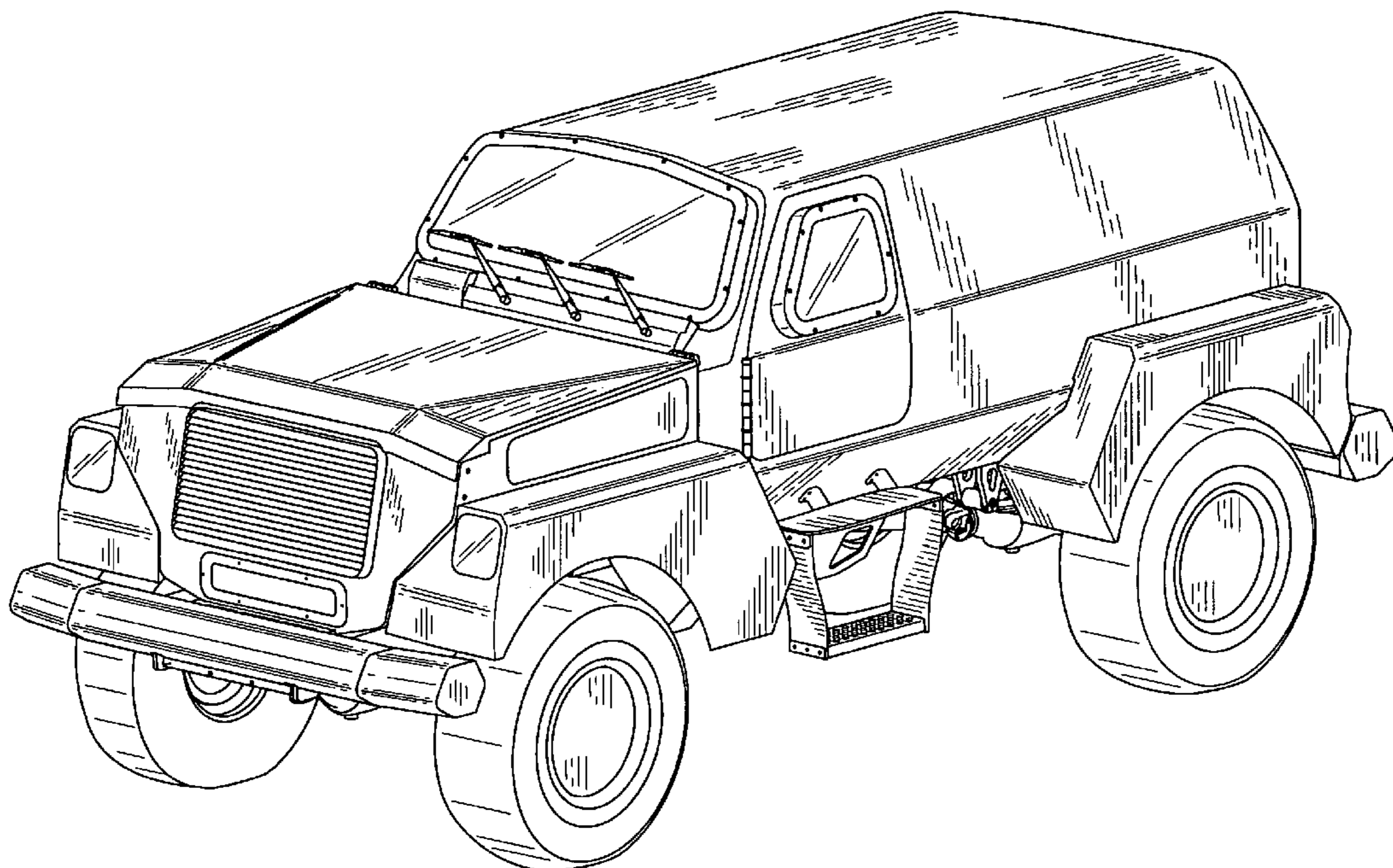
FIG. 4 is a right side view thereof;

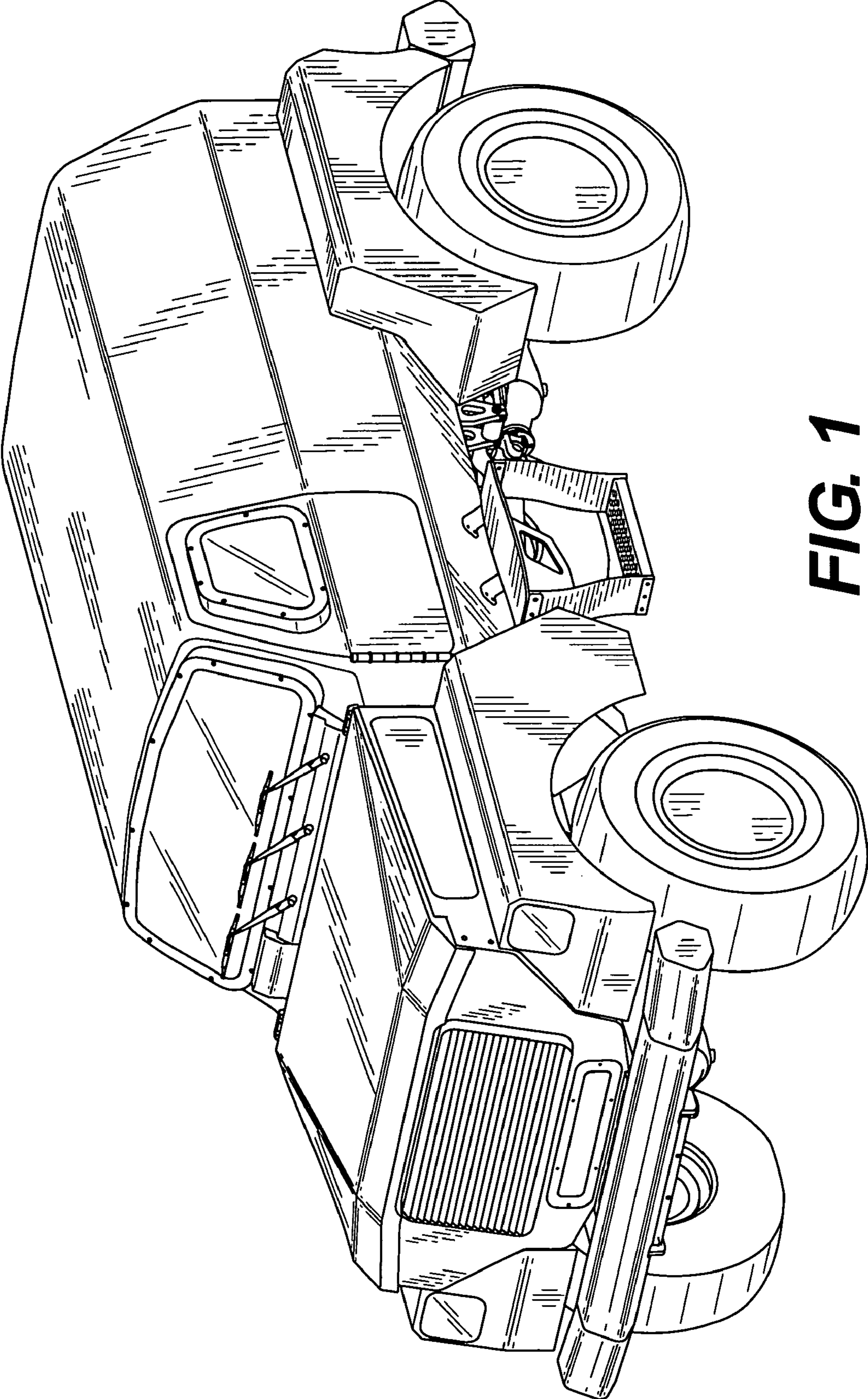
FIG. 5 is a front view thereof;

FIG. 6 is a rear view thereof; and,

FIG. 7 is a top plan view thereof.

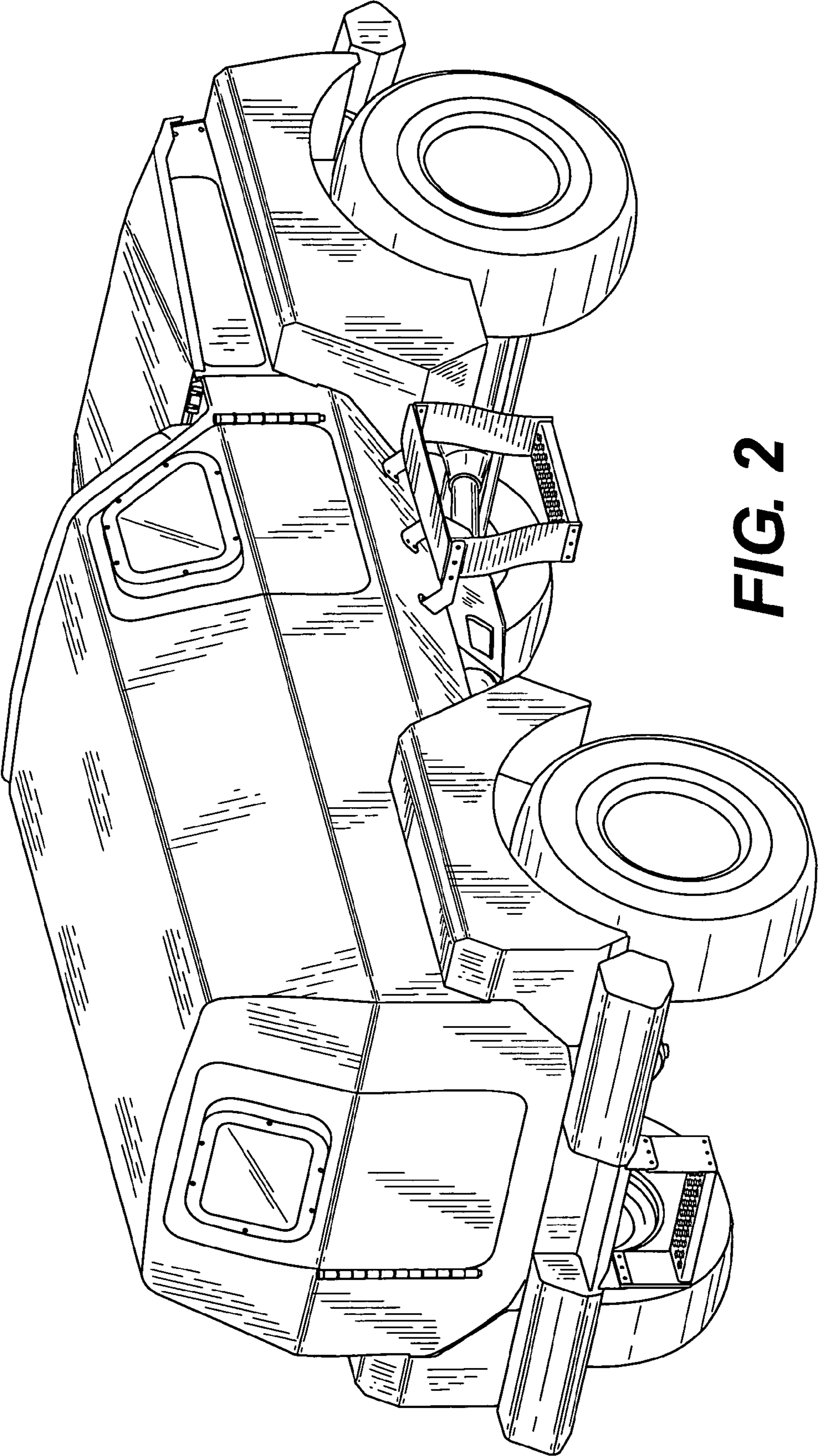
**1 Claim, 6 Drawing Sheets**



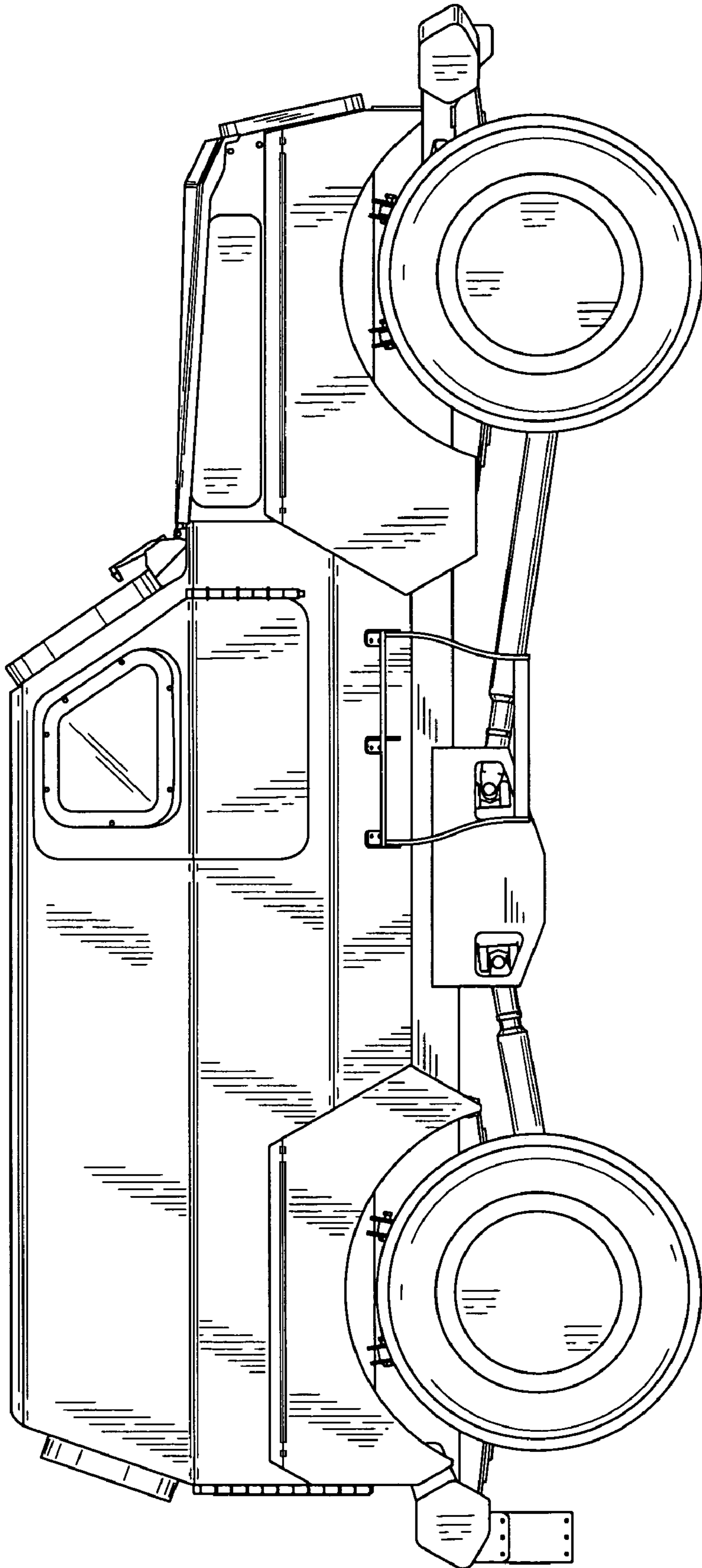


**FIG. 1**

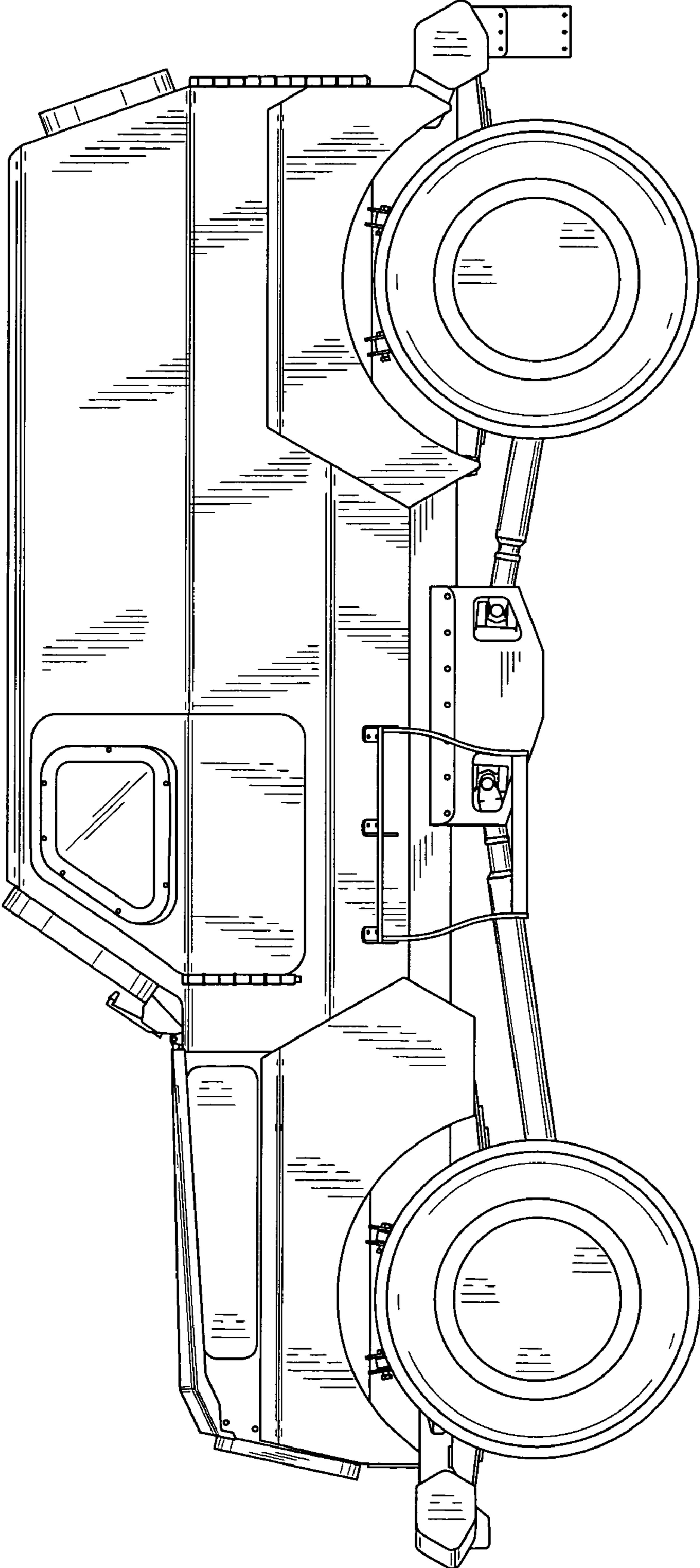




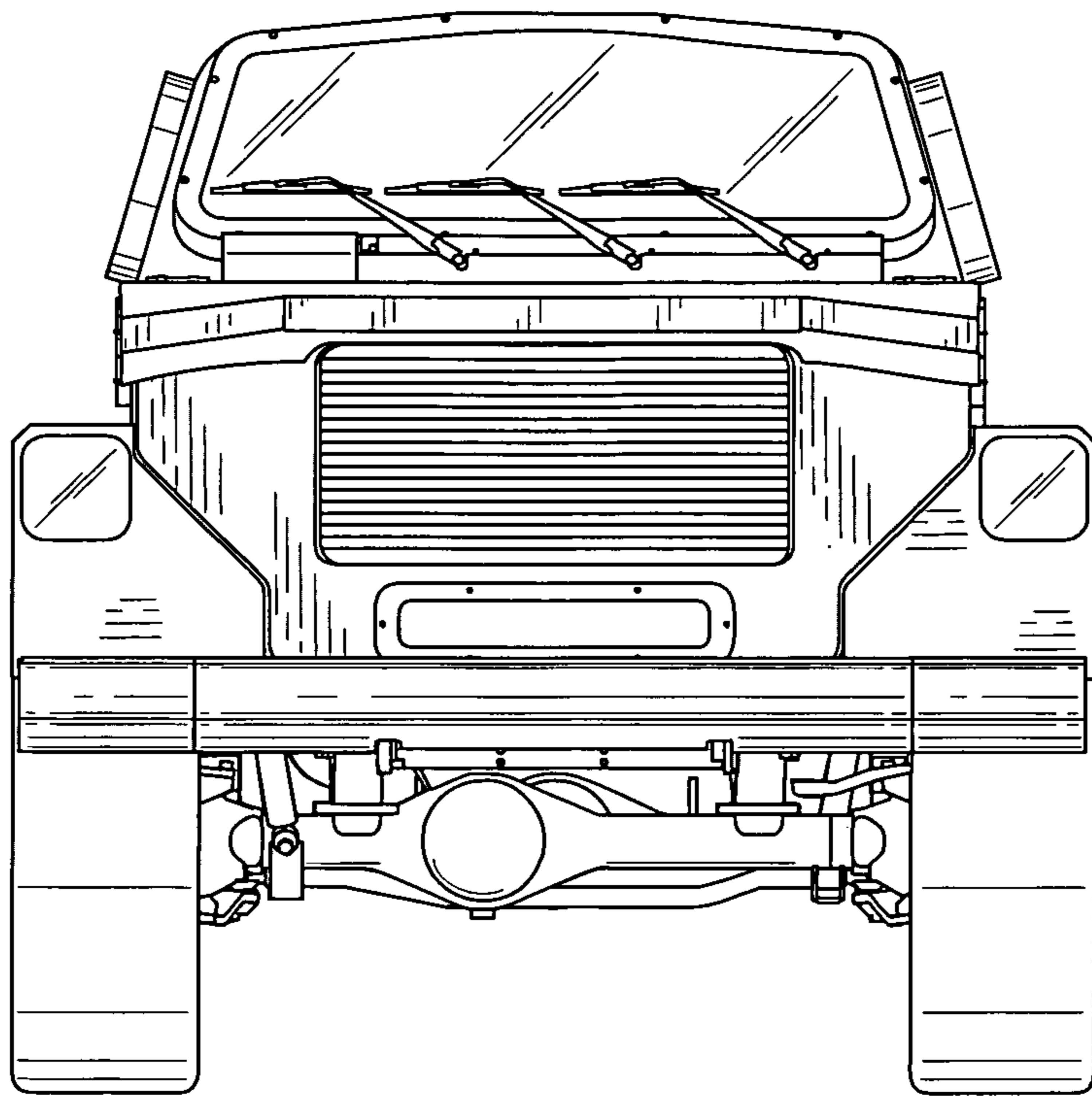
**FIG. 2**



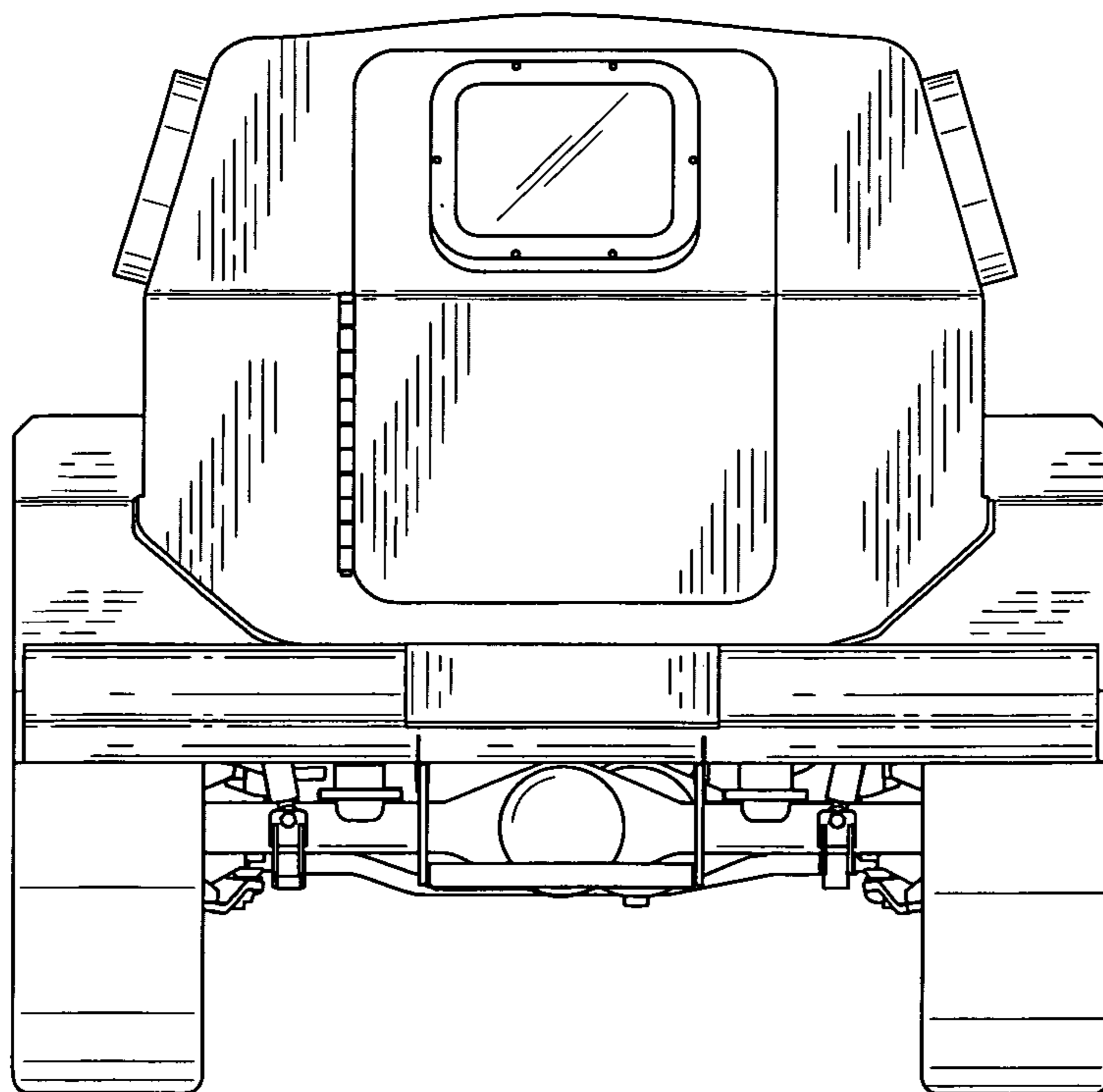
**FIG. 3**



**FIG. 4**

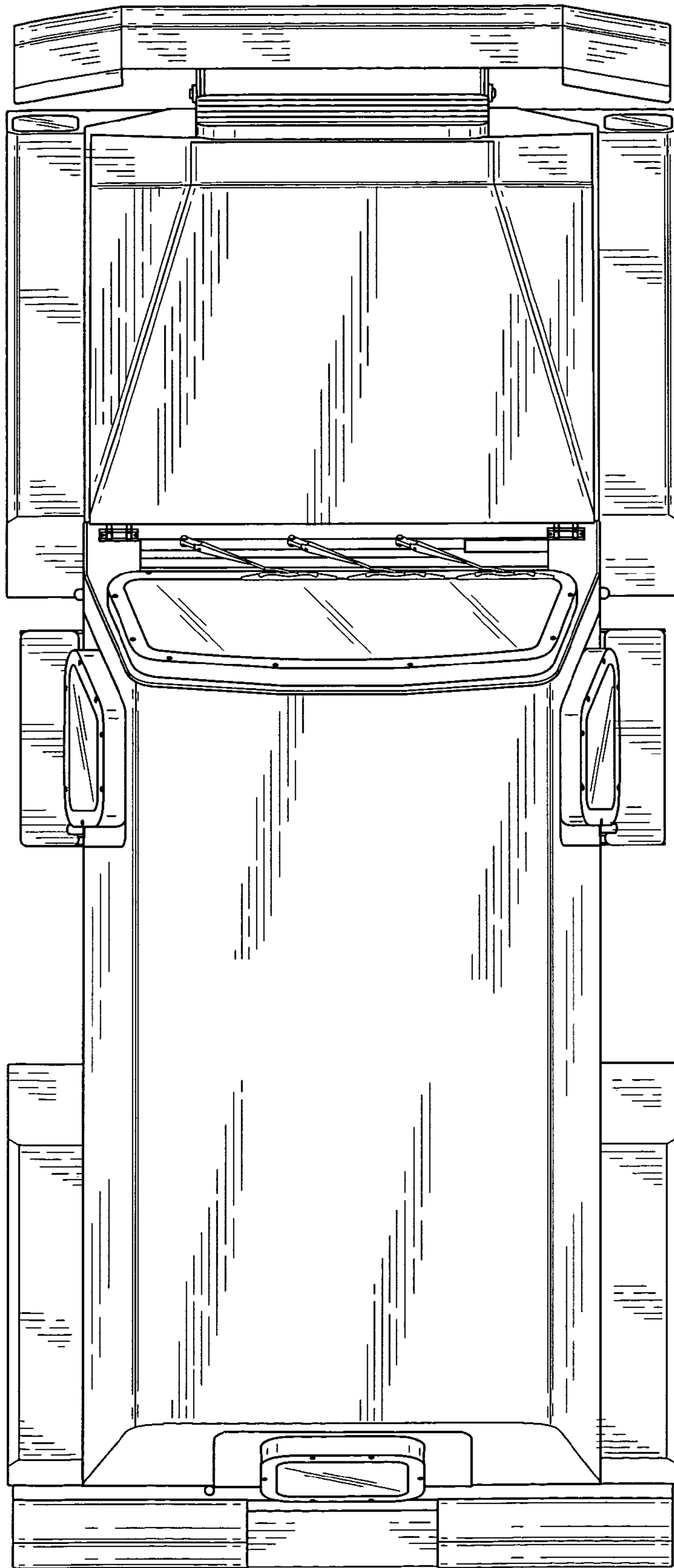


**FIG. 5**



**FIG. 6**





**FIG. 7**

UNITED STATES PATENT AND TRADEMARK OFFICE  
**CERTIFICATE OF CORRECTION**

PATENT NO. : D593,450 S  
APPLICATION NO. : 29/274990  
DATED : June 2, 2009  
INVENTOR(S) : Paul C. Green, Jr. et al.

Page 1 of 1

It is certified that error appears in the above-identified patent and that said Letters Patent is hereby corrected as shown below:

Title page, item (73) (“Assignee”)

“Force Protection Industries, Inc.”, should read -- Force Protection Technologies, Inc. --

Signed and Sealed this  
Fifth Day of April, 2011

A handwritten signature in black ink that reads "David J. Kappos". The signature is written in a cursive style with a large initial "D" and "K".

David J. Kappos  
*Director of the United States Patent and Trademark Office*