



US00D593445S

(12) **United States Design Patent**
Shannon, Sr.

(10) **Patent No.:** **US D593,445 S**
(45) **Date of Patent:** **** Jun. 2, 2009**

(54) **DIAMOND CUT**

D568,777 S * 5/2008 Weitman D11/90

(75) Inventor: **Paul T. Shannon, Sr.**, Macon, GA (US)

* cited by examiner

(73) Assignee: **Diamond Technologies, Inc.**, Macon, GA (US)

Primary Examiner—R. Seifert

(74) *Attorney, Agent, or Firm*—Levisohn Berger LLP

(**) Term: **14 Years**

(21) Appl. No.: **29/319,455**

(57) **CLAIM**

(22) Filed: **Jun. 10, 2008**

The ornamental design for a diamond cut, as shown and described.

(51) **LOC (9) Cl.** **11-01**

(52) **U.S. Cl.** **D11/90**

(58) **Field of Classification Search** D11/1-2,
D11/26-29, 89-92; 63/26-28, 32
See application file for complete search history.

DESCRIPTION

FIG. 1 shows a side perspective view of a first diamond cut showing my new design; and,

FIG. 2 is a bottom plan view of the invention shown in FIG. 1,

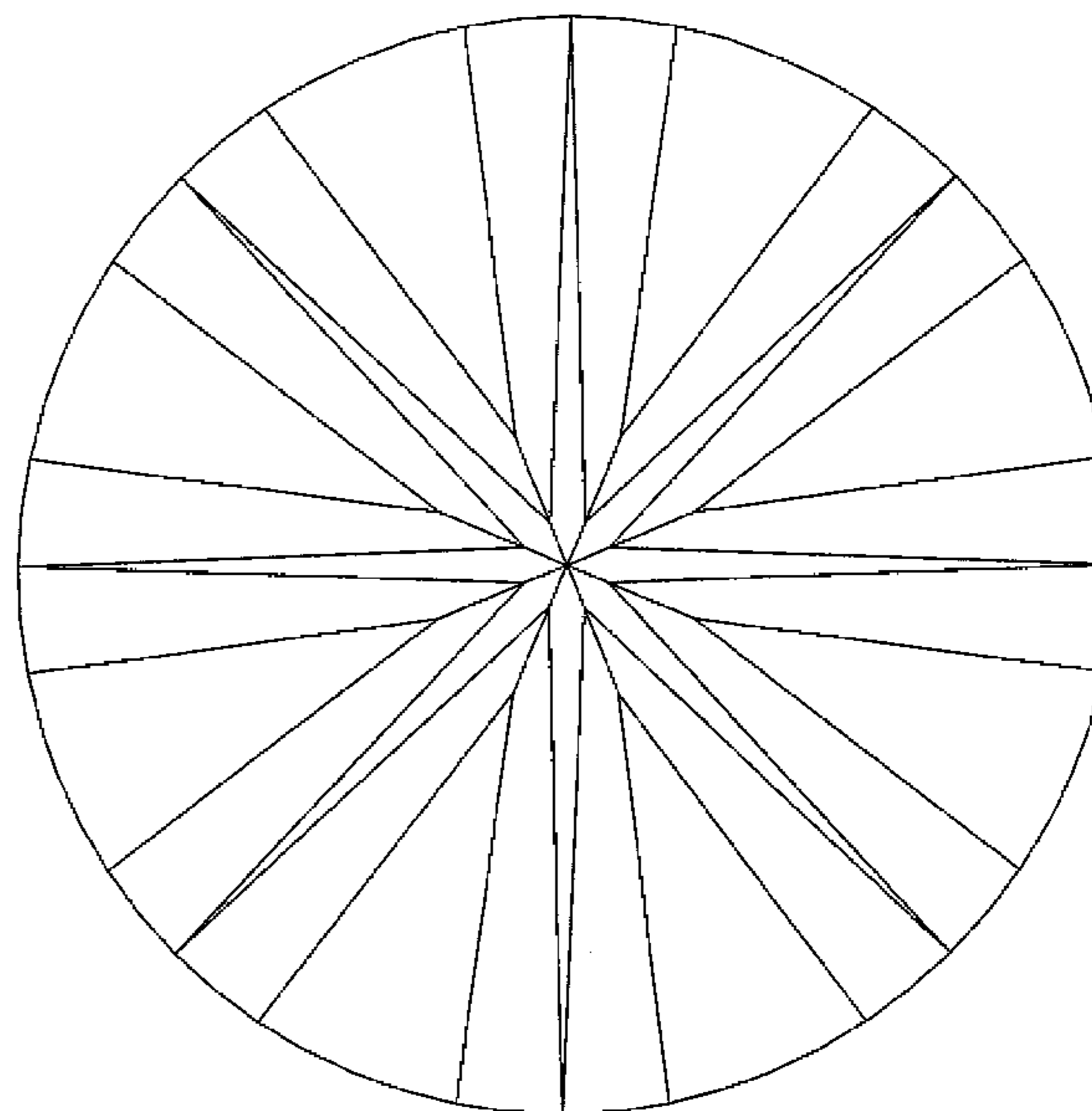
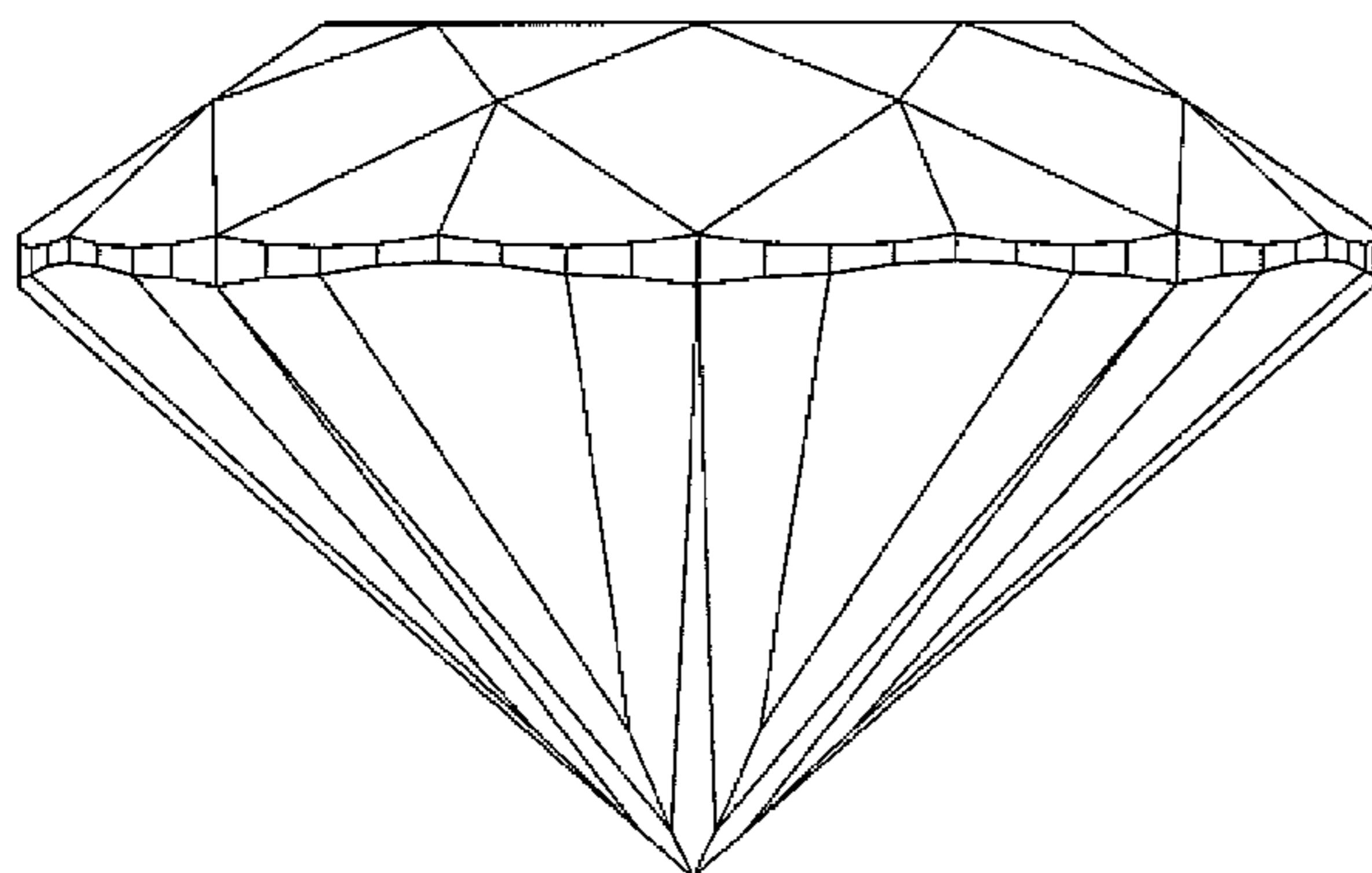
The broken lines in the Figures are for illustrative purposes only and form no part of the claimed design.

(56) **References Cited**

U.S. PATENT DOCUMENTS

D565,994 S * 4/2008 Weitman D11/90

1 Claim, 1 Drawing Sheet



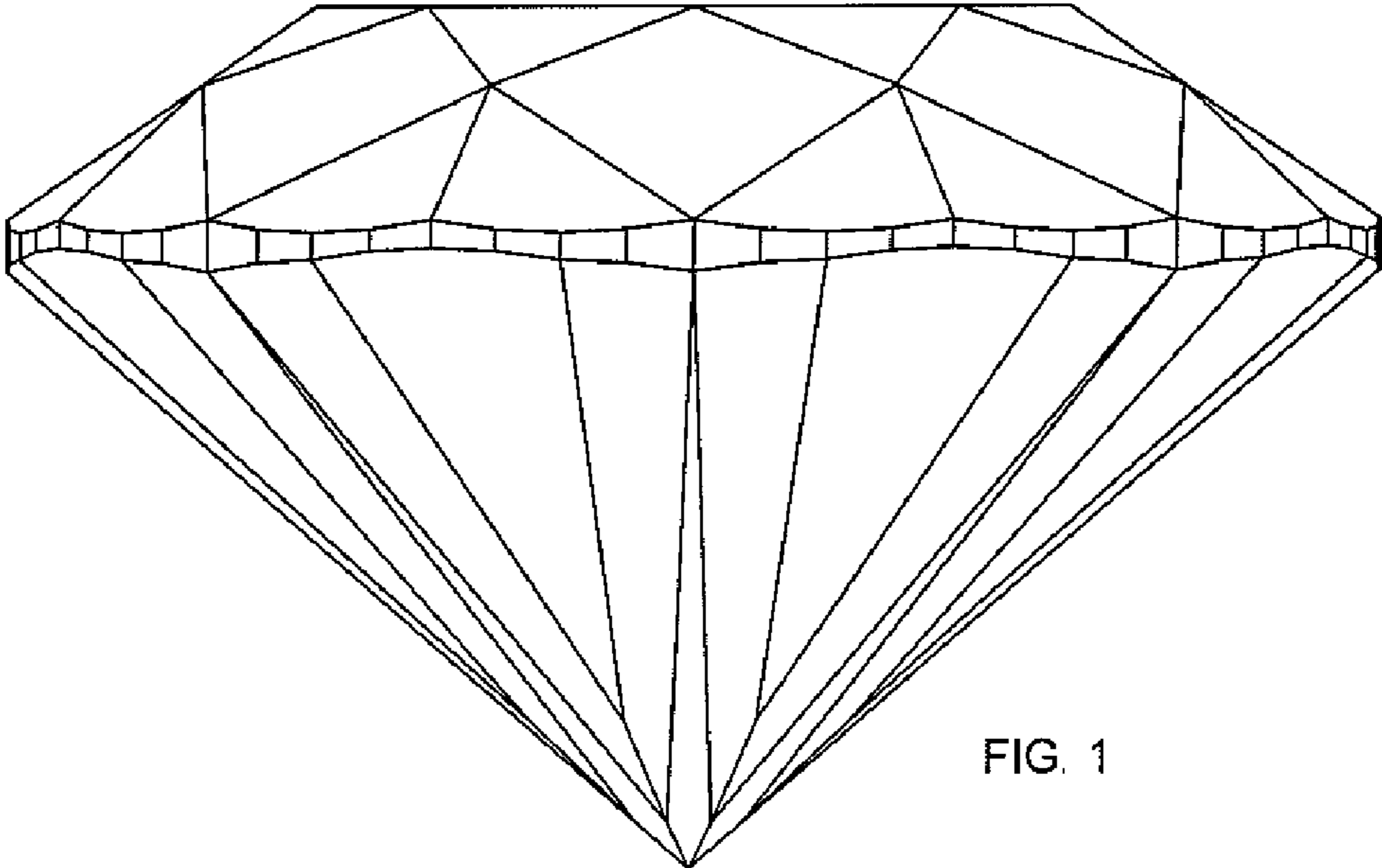


FIG. 1

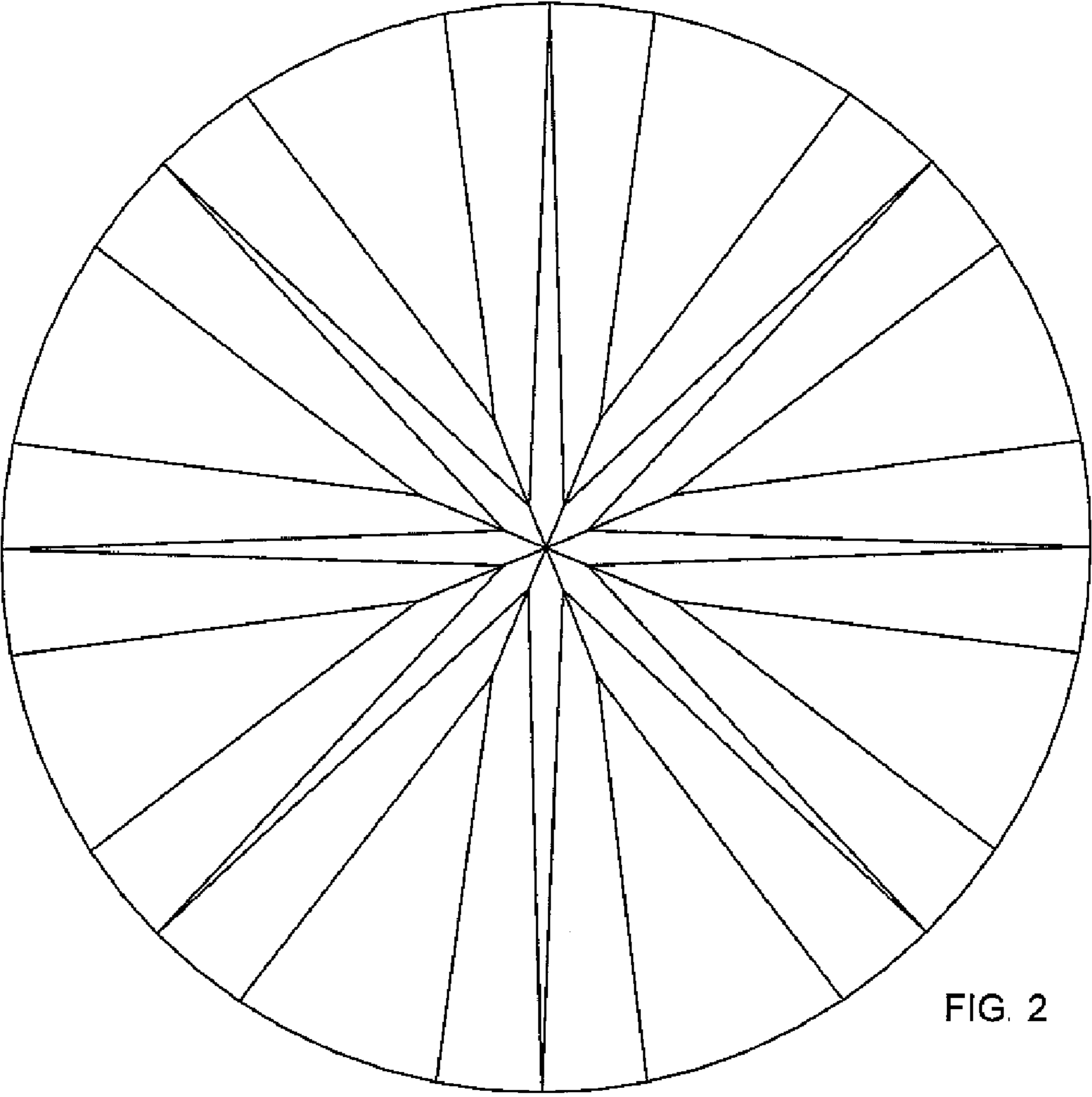


FIG. 2