



US00D593431S

(12) **United States Design Patent**
Komenaka

(10) **Patent No.:** **US D593,431 S**

(45) **Date of Patent:** **** Jun. 2, 2009**

(54) **RING**

(76) **Inventor:** **Gary Isamu Komenaka**, 532 3rd St.,
#1, San Rafael, CA (US) 94901-7807

(**) **Term:** **14 Years**

(21) **Appl. No.:** **29/298,657**

(22) **Filed:** **Dec. 10, 2007**

(51) **LOC (9) Cl.** **11-01**

(52) **U.S. Cl.** **D11/26**

(58) **Field of Classification Search** D11/3,
D11/26-39; 63/15.1-15.6, 15.45, 15.65,
63/15.7-15.8

See application file for complete search history.

(56) **References Cited**

U.S. PATENT DOCUMENTS

367,896	A	*	8/1887	Davidson	63/15.3
D76,857	S	*	11/1928	Dubassoff	D11/4
D89,450	S	*	3/1933	Reiss	D11/4
D189,758	S	*	2/1961	Gibeault	D11/36
D197,798	S	*	3/1964	Nolan	D11/26
D226,955	S	*	5/1973	Papavasiliou	D11/96
D234,029	S	*	12/1974	Leo	D11/26
3,977,678	A	*	8/1976	Hedberg	D11/81
4,060,185	A	*	11/1977	Kuroda	63/11
D404,680	S	*	1/1999	Kahn	D11/95
D442,508	S	*	5/2001	Torres	D11/4
D473,812	S	*	4/2003	Itzkowitz	D11/36

D494,882	S	*	8/2004	Hara	D11/26
D505,633	S	*	5/2005	Hardy	D11/26
D537,009	S	*	2/2007	Gibbons	D11/27

OTHER PUBLICATIONS

Symbol Sourcebook by Henry Dreyfuss; Copyright 1972; p. 56;
Biology symbol for Staminate.*
Symbol Sourcebook by Henry Dreyfuss; Copyright 1972; p. 170;
Graphic symbol for Female.*
Cymbol sourcebook by Henry Dreyfuss; Copyright 1972; p. 174;
Graphic Form symbol for Polygamous.*
Symbol Sourcebook by Henry Dreyfuss; Copyright 1972; p. 220;
Graphic Form symbol for Margin Release.*

* cited by examiner

Primary Examiner—Cathy Anne MacCormac
(74) *Attorney, Agent, or Firm*—Peter A. Haas Esquire LLC

(57) **CLAIM**

The ornamental design for a ring, as shown and described.

DESCRIPTION

This design relates to a piece of jewelry, specifically a ring, incorporating two overlapping female-gender symbols and may be used as a civil-union ring, for example.

FIG. 1 is an offset frontal view of the invention;

FIG. 2 is a top view of the invention of FIG. 1;

FIG. 3 is a front view of the invention of FIG. 1; and,

FIG. 4 is a right side view of the invention of FIG. 1.

1 Claim, 4 Drawing Sheets

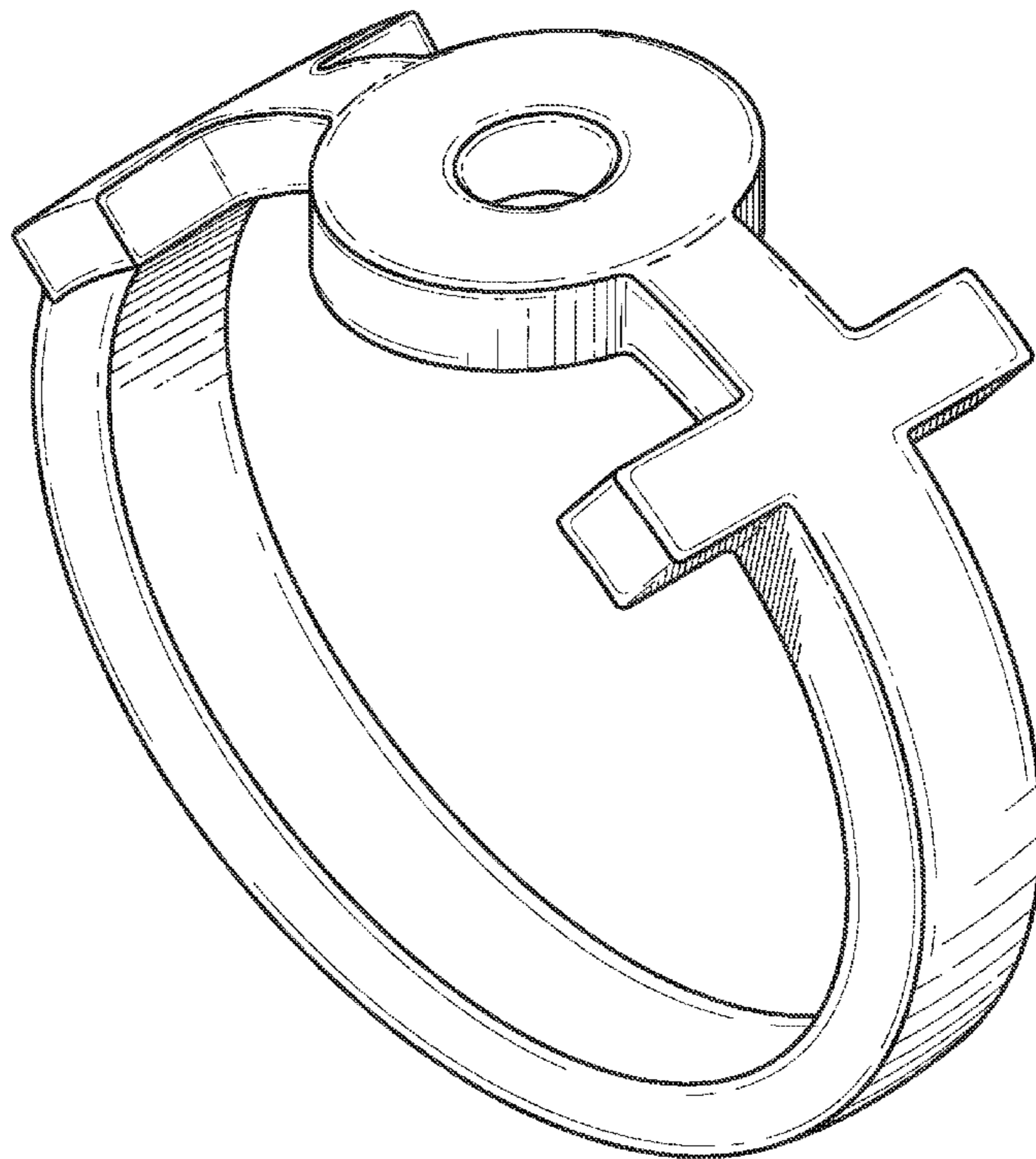


FIG. 1

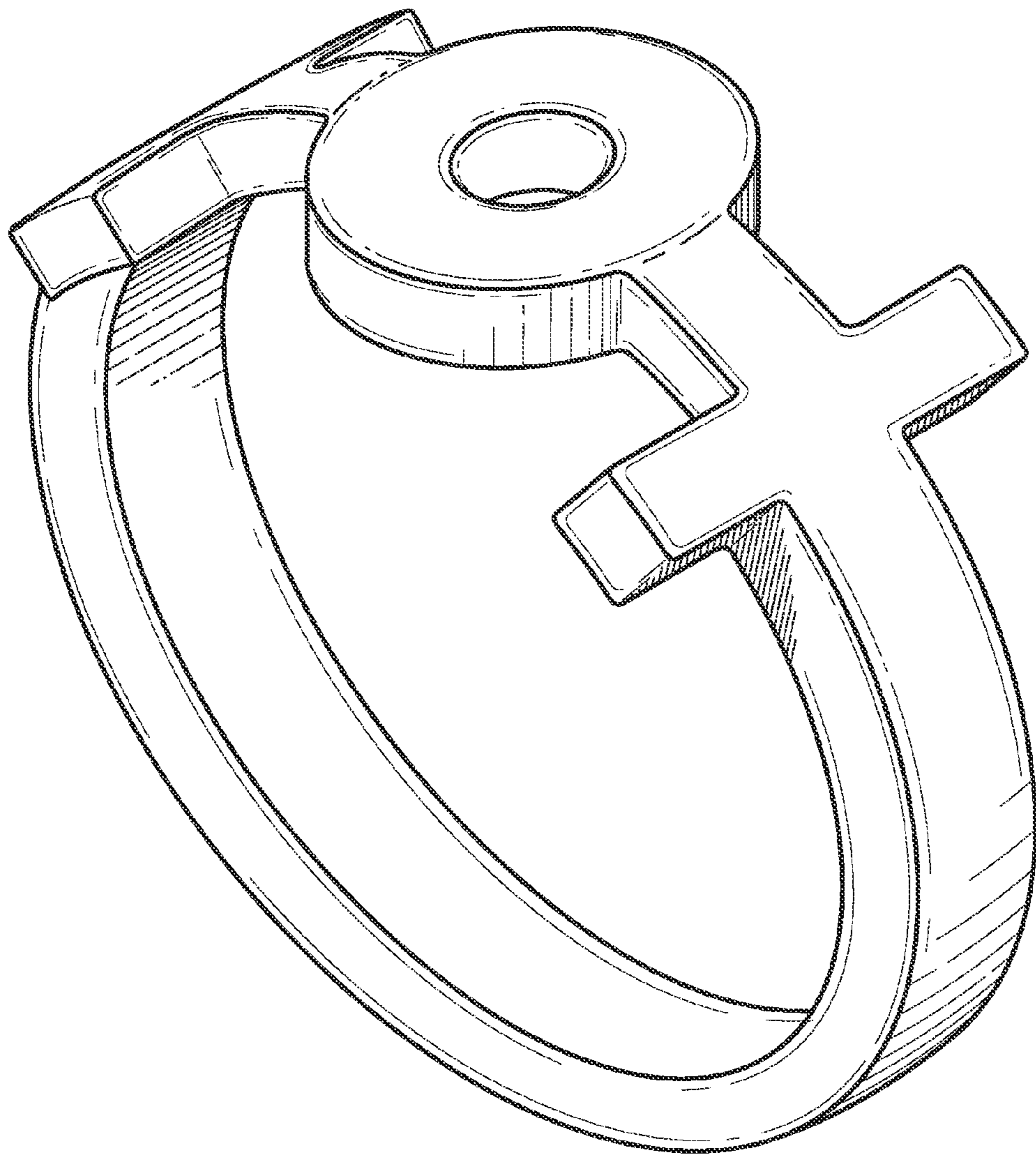


FIG. 2

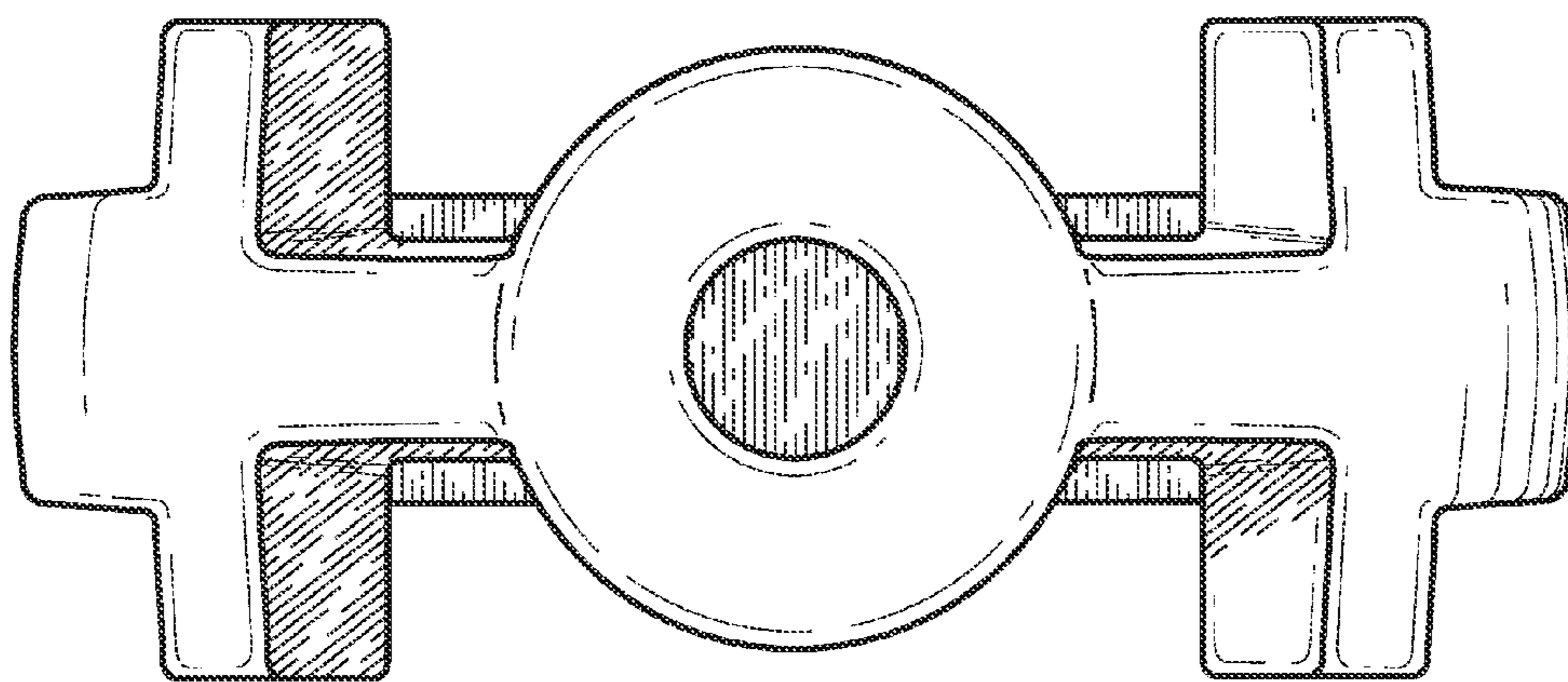


FIG. 3

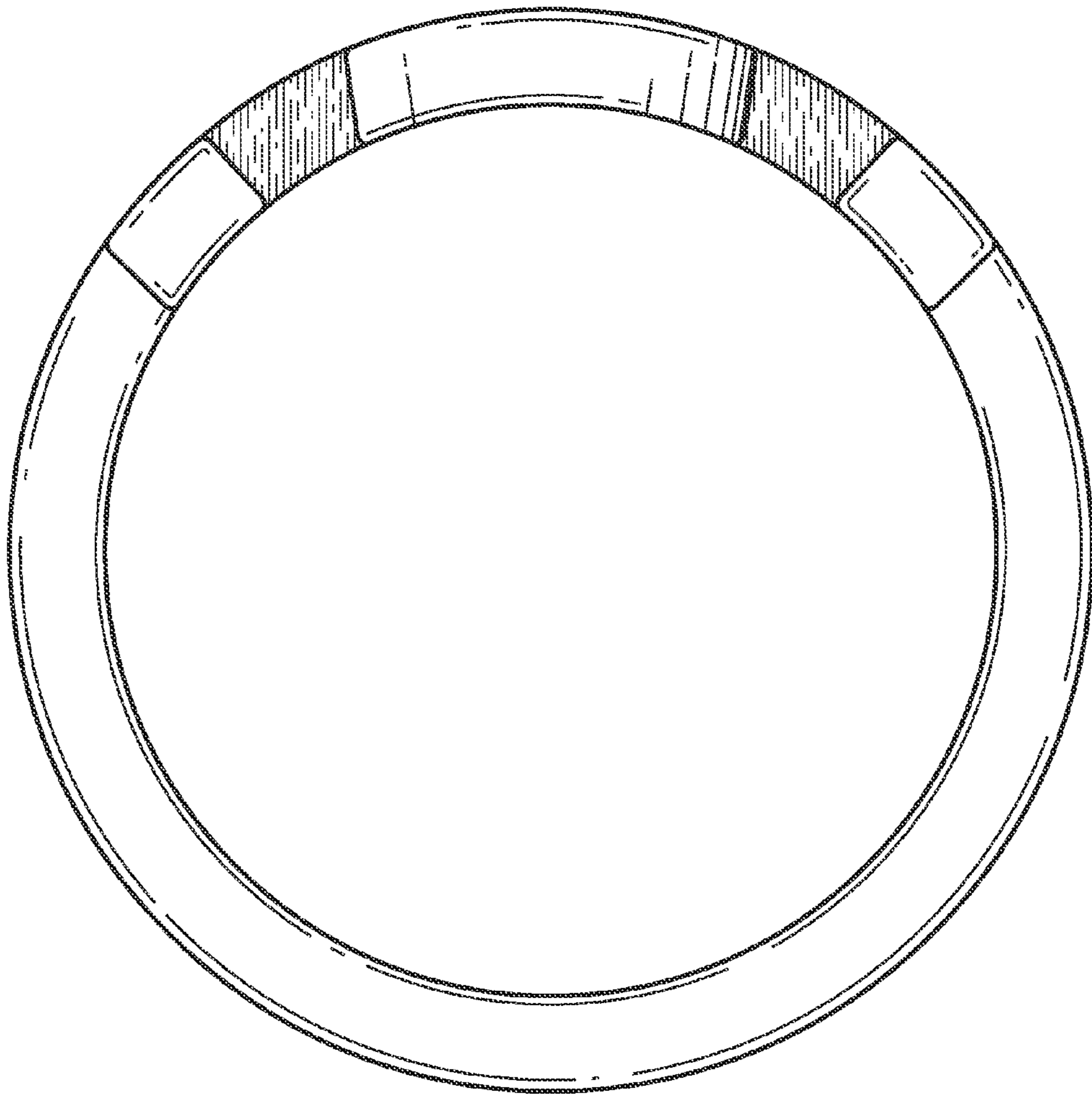


FIG. 4

