

US00D593430S

(12) **United States Design Patent**
Komenaka

(10) **Patent No.:** **US D593,430 S**

(45) **Date of Patent:** **** Jun. 2, 2009**

(54) **RING**

D537,009 S * 2/2007 Gibbons D11/27

(76) **Inventor:** **Gary Isamu Komenaka**, 532 3rd St. #1,
San Rafael, CA (US) 94901-7807

OTHER PUBLICATIONS

(**) **Term:** **14 Years**

Symbol Sourcebook by Henry Dreyfuss; Copyright 1972; p. 48;
Architecture, Drafting symbol for Direction Sign.*

(21) **Appl. No.:** **29/298,651**

Symbol Sourcebook by Henry Dreyfuss; Copyright 1972; p. 56;
Biology, Botany symbol for Staminate.*

(22) **Filed:** **Dec. 10, 2007**

Symbol Sourcebook by Henry Dreyfuss; Copyright 1972; p. 142;
Safety symbol for Collision, Head-On.*

(51) **LOC (9) Cl.** **11-01**

Symbol Sourcebook by Henry Dreyfuss; Copyright 1972; p. 171;
Graphic Form symbol for Direction Sign; Non-Illuminated; No Use
Going This Direction.*

(52) **U.S. Cl.** **D11/26**

Symbol Sourcebook by Henry Dreyfuss; Copyright 1972; p. 179;
Graphic Form symbol for Exit.*

(58) **Field of Classification Search** D11/3,
D11/26-39; 63/15.1-15.6, 15.45, 15.65,
63/15.7-15.8

Symbol Sourcebook by Henry Dreyfuss; Copyright 1972; p. 219;
Graphic Form symbol for Collision, Rear-End.*

See application file for complete search history.

* cited by examiner

(56) **References Cited**

Primary Examiner—Cathy Anne McCormac

(74) *Attorney, Agent, or Firm*—Peter A. Haas, Esquire LLC

U.S. PATENT DOCUMENTS

397,896	A	*	2/1889	Coleman	411/489
D76,857	S	*	11/1928	Dubassoff	D11/4
D89,450	S	*	3/1933	Reiss	D11/4
D118,386	S	*	1/1940	Pajzs	D11/32
D156,739	S	*	1/1950	Katz	D11/16
D189,758	S	*	2/1961	Gibeault	D11/36
D197,798	S	*	3/1964	Nolen	D11/26
D197,807	S	*	3/1964	Nolen	D11/26
D226,955	S	*	5/1973	Papavasiliou	D11/96
3,977,678	A	*	8/1976	Hedberg	273/336
4,060,185	A	*	11/1977	Kuroda	224/176
D404,680	S	*	1/1999	Kahn	D11/95
D427,106	S	*	6/2000	Ben-Shimon	D11/27
D465,173	S	*	11/2002	Gordon	D11/26
D471,836	S	*	3/2003	Chanaratsopon et al.	D11/27
D505,633	S	*	5/2005	Hardy	D11/26
D522,397	S	*	6/2006	Levy	D11/17

(57) **CLAIM**

The ornamental design for a ring, as shown and described.

DESCRIPTION

This design relates to a piece of jewelry, specifically a ring, incorporating two overlapping male-gender symbols and may be used as a civil-union ring, for example.

FIG. 1 is an offset frontal view of the claimed invention.

FIG. 2 is a top view of the invention of FIG. 1;

FIG. 3 is a front view of the invention of FIG. 1; and,

FIG. 4 is a right side view of the invention of FIG. 1.

1 Claim, 4 Drawing Sheets

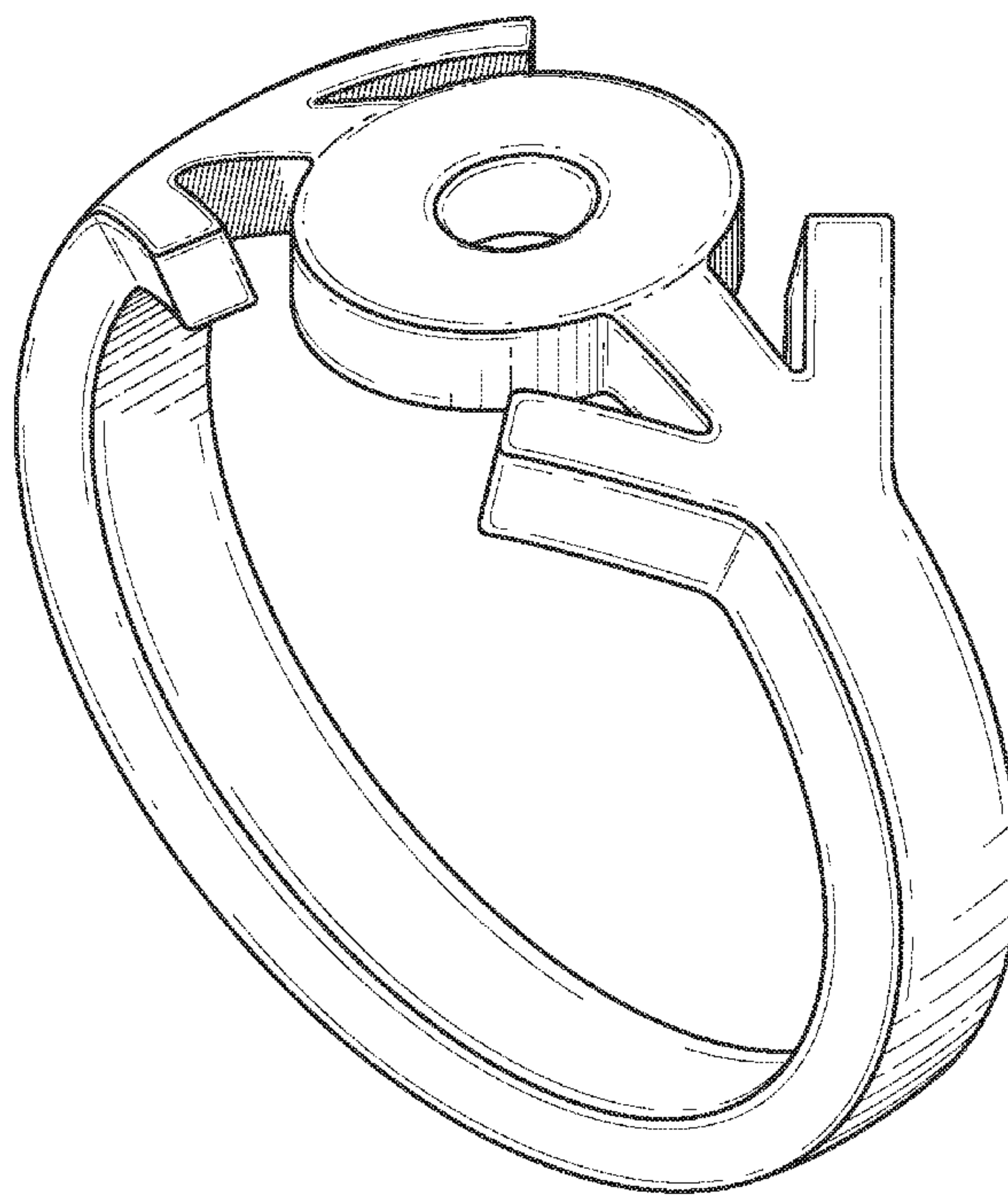


FIG. 1

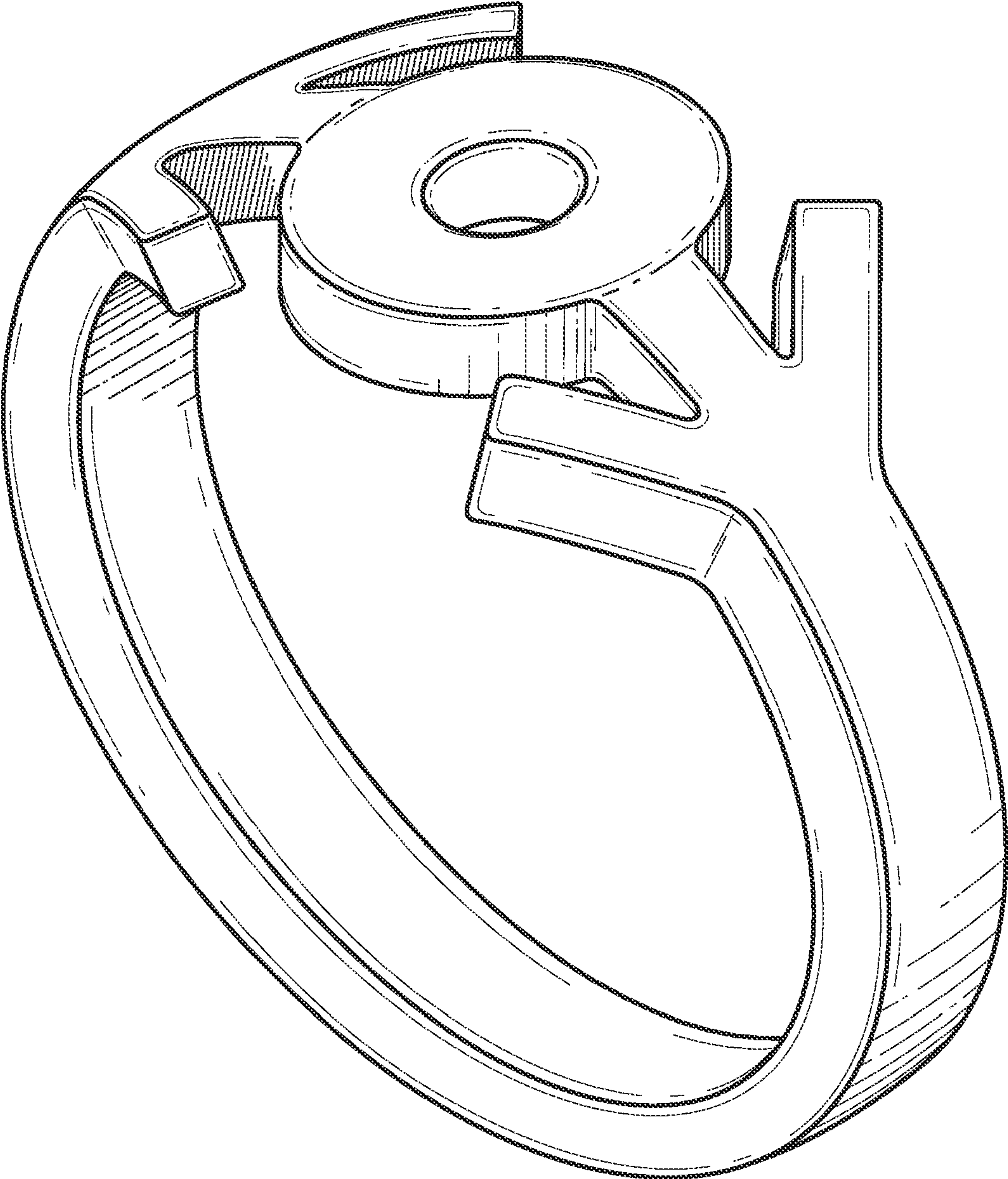


FIG. 2

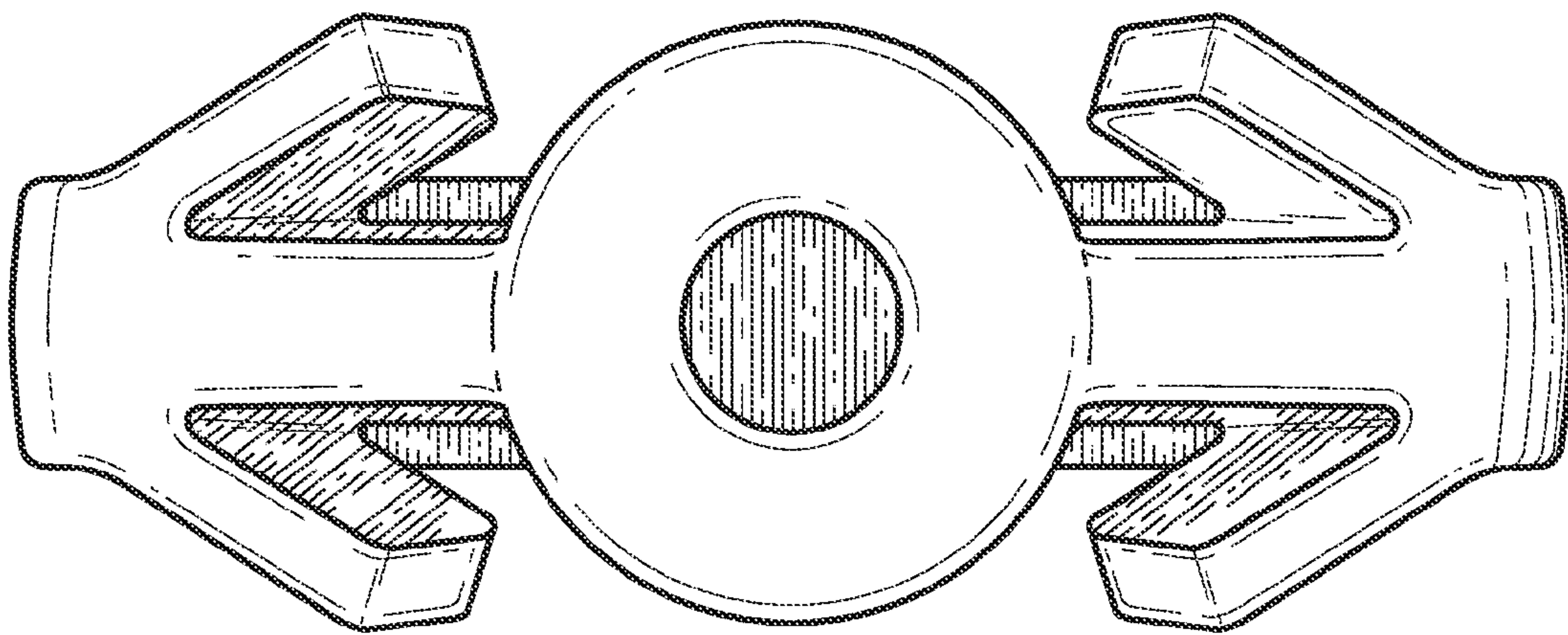


FIG. 3

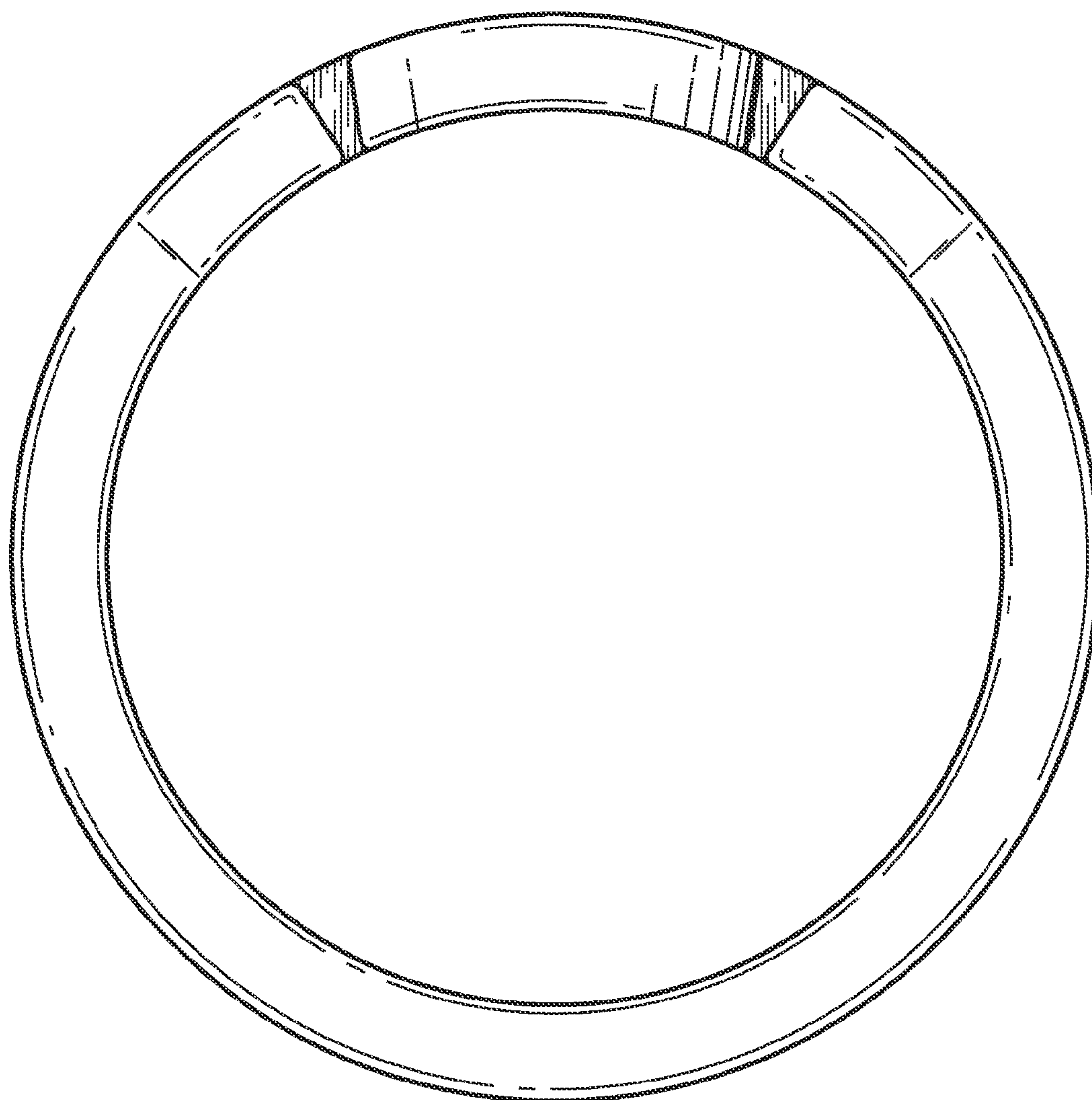


FIG. 4

