



US00D593427S

(12) **United States Design Patent**
Ping

(10) **Patent No.:** **US D593,427 S**

(45) **Date of Patent:** **** Jun. 2, 2009**

(54) **WATER RESISTANT METAL DETECTOR**

(75) Inventor: **Sui Ping Ping**, Yantia (CN)

(73) Assignee: **James Chapman**, Harrison, TN (US)

(**) Term: **14 Years**

(21) Appl. No.: **29/323,934**

(22) Filed: **Sep. 3, 2008**

(51) **LOC (9) Cl.** **10-04**

(52) **U.S. Cl.** **D10/47**

(58) **Field of Classification Search** D10/47;
324/327, 328, 233, 329; 340/368

See application file for complete search history.

(56) **References Cited**

U.S. PATENT DOCUMENTS

| | | | | |
|--------------|---------|----------------|-------|--------|
| D377,908 S * | 2/1997 | Yue | | D10/47 |
| D486,080 S * | 2/2004 | Hu | | D10/47 |
| D533,792 S * | 12/2006 | Johnson et al. | | D10/47 |

* cited by examiner

Primary Examiner—Antoine D Davis

(74) *Attorney, Agent, or Firm*—Stephen J. Stark; Miller & Martin PLLC

(57) **CLAIM**

The ornamental design for a water resistant metal detector, as shown.

DESCRIPTION

FIG. 1 is a top perspective view of a metal detector incorporating my new design with the remainder of the metal detector shown in phantom;

FIG. 2 is a left side elevational view thereof; the opposing side being a mirror image thereof;

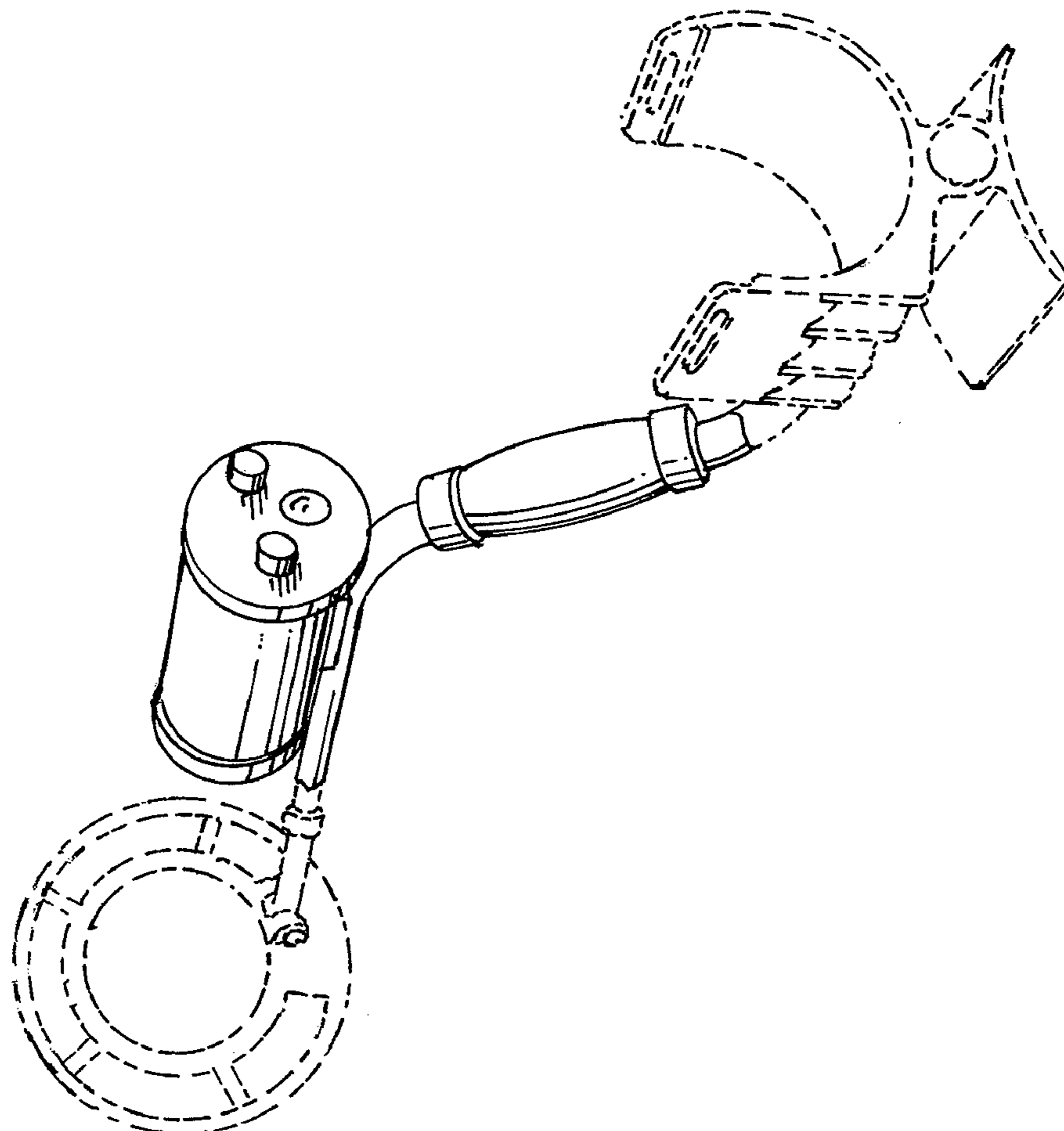
FIG. 3 is a front perspective view thereof,

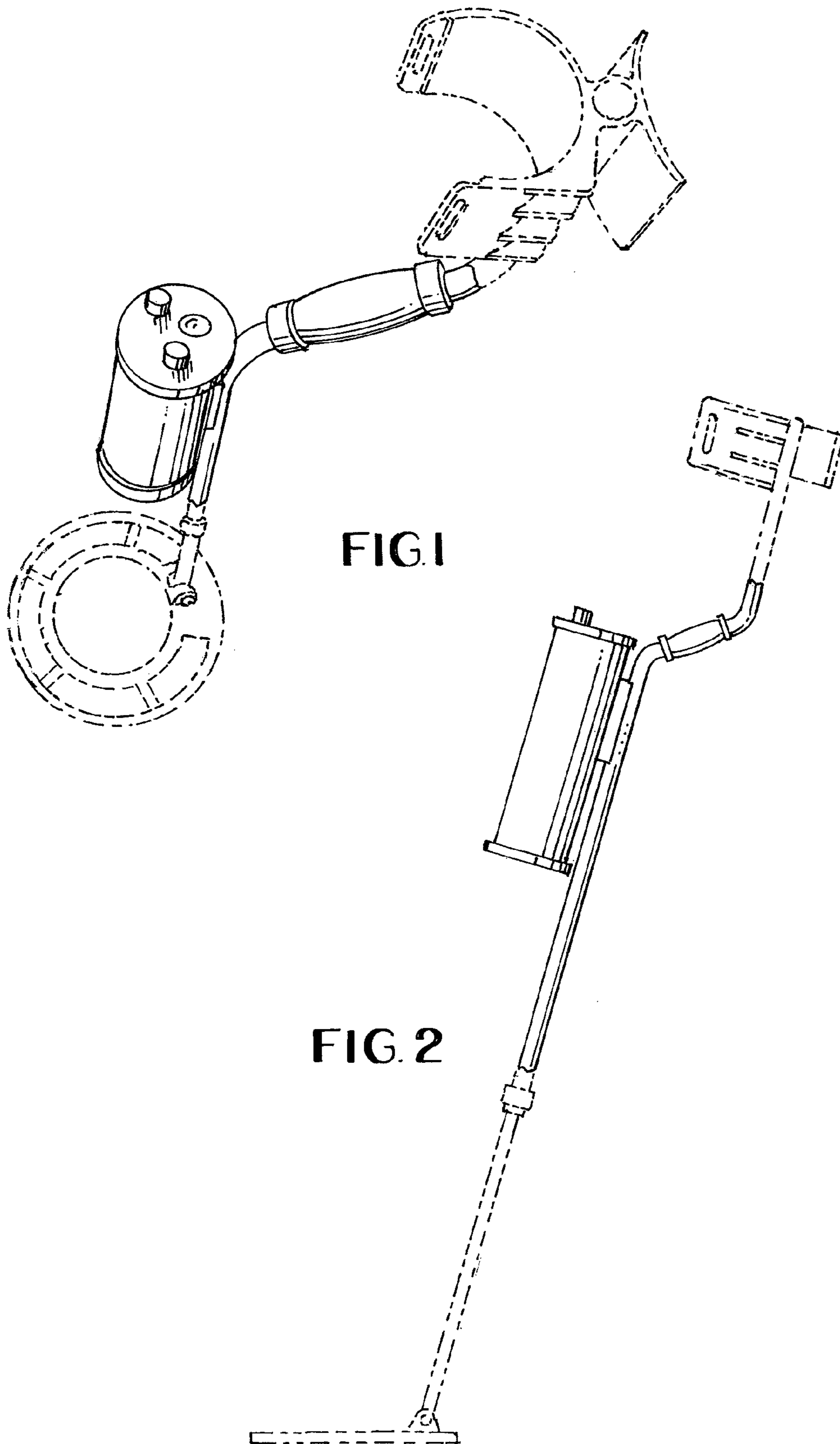
FIG. 4 is a back elevation view thereof;

FIG. 5 is a top elevational view thereof; and,

FIG. 6 is a bottom elevational view thereof.

1 Claim, 2 Drawing Sheets





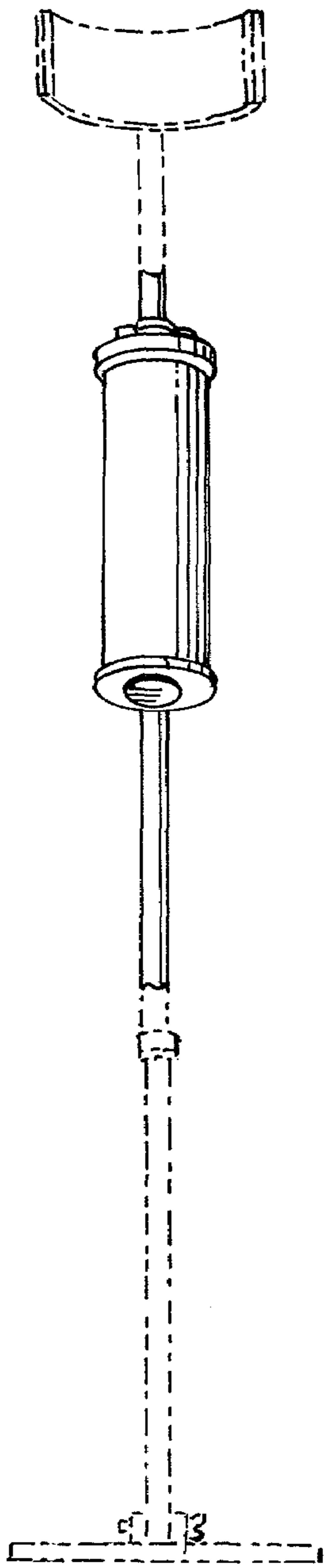


FIG. 3

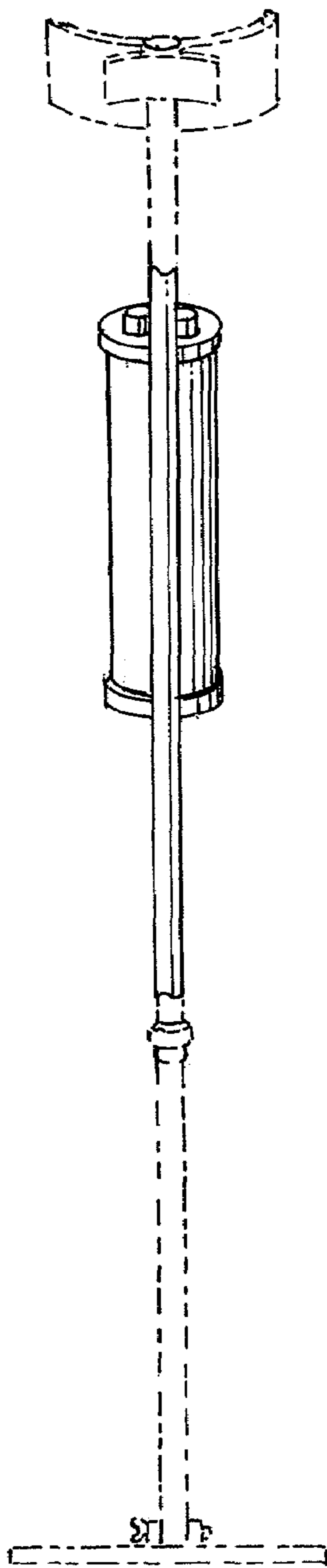


FIG. 4

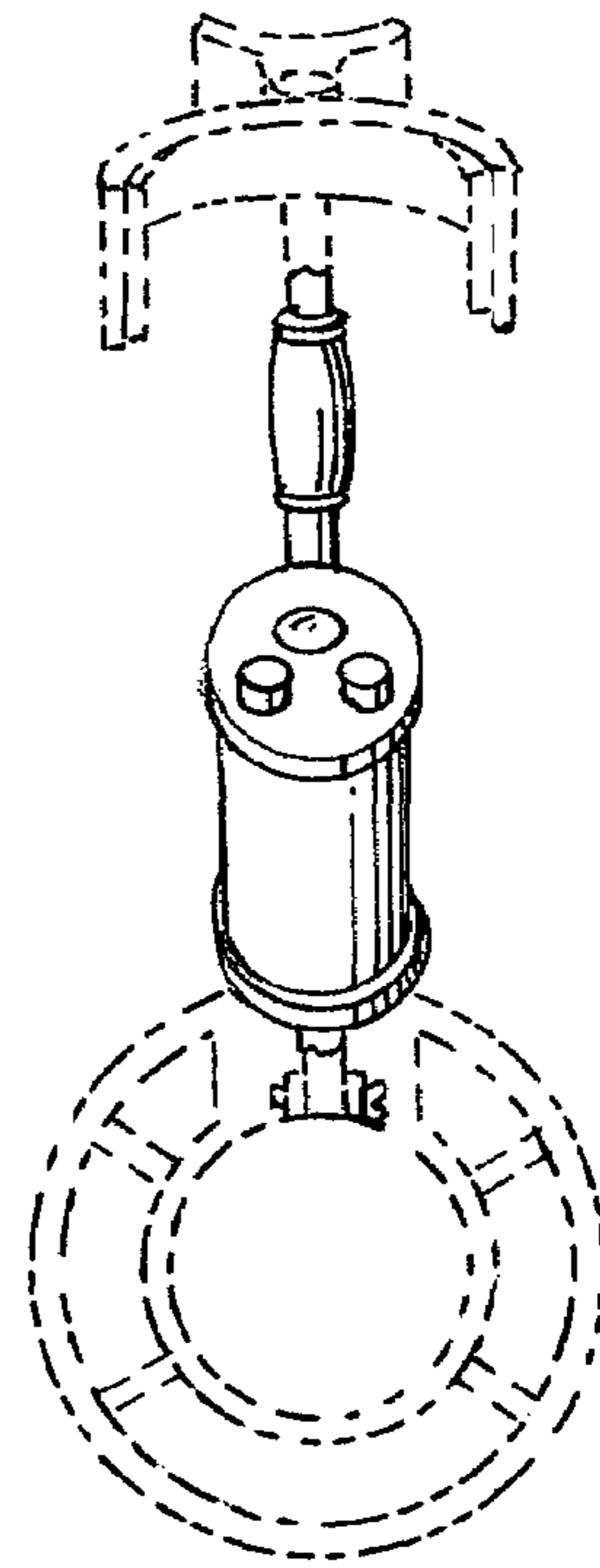


FIG. 5

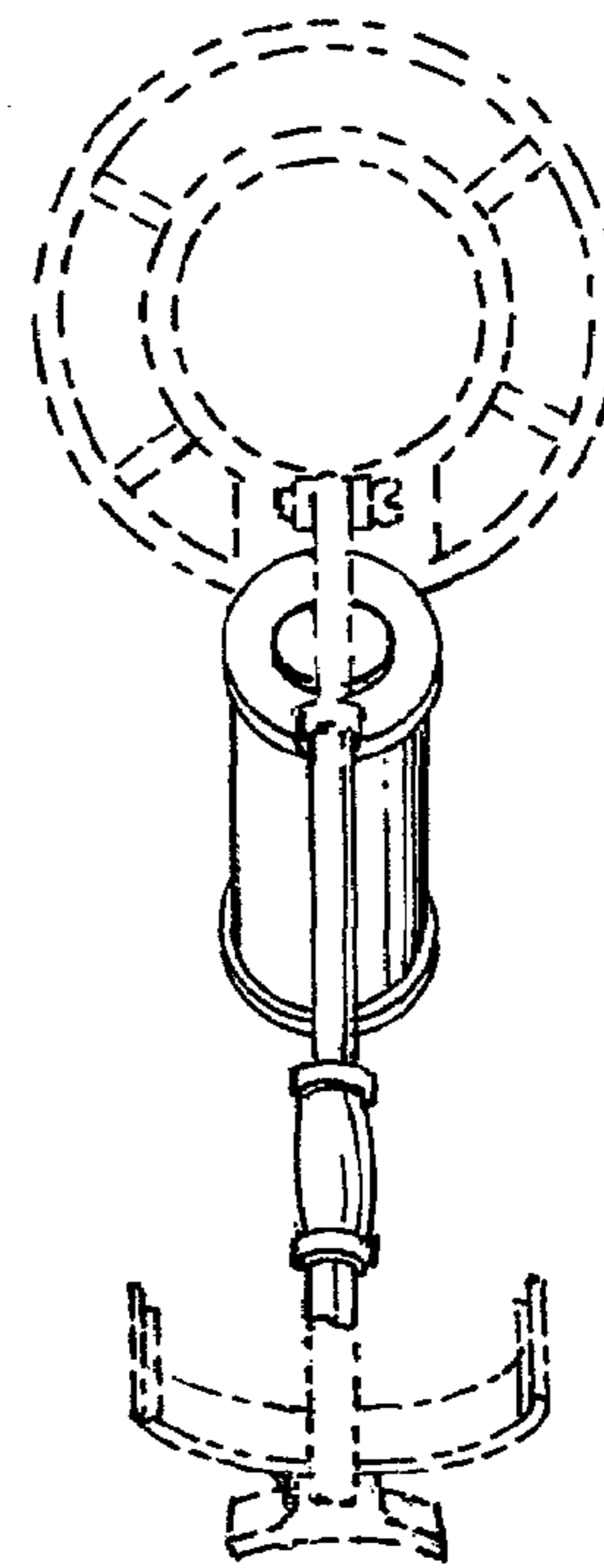


FIG. 6