



US00D593426S

(12) **United States Design Patent**  
**Huang et al.**

(10) **Patent No.:** **US D593,426 S**  
(45) **Date of Patent:** **\*\* Jun. 2, 2009**

(54) **MAGNETIC SENSOR**

(75) Inventors: **Ming-Chih Huang**, Taichung (TW);  
**Chih-Mao Shiao**, Taichung (TW)

(73) Assignee: **Hiwin Mikrosystem Corp.**, Taichung  
(TW)

(\*\*) Term: **14 Years**

(21) Appl. No.: **29/313,200**

(22) Filed: **Dec. 16, 2008**

(51) **LOC (9) Cl.** ..... **10-04**

(52) **U.S. Cl.** ..... **D10/46**

(58) **Field of Classification Search** ..... D10/46;  
73/862.69; 219/626; 324/207.1, 207.16,  
324/207.17, 207.18, 207.19, 207.2, 207.24,  
324/207.25, 207.26, 260; 340/436; 360/327,  
360/324.1; 428/84

See application file for complete search history.

(56) **References Cited**

**U.S. PATENT DOCUMENTS**

D531,066 S \* 10/2006 Watabe ..... D10/46  
D565,437 S \* 4/2008 Huang et al. .... D10/46

D565,973 S \* 4/2008 Huang et al. .... D10/46  
D574,824 S \* 8/2008 Huang et al. .... D14/363  
2003/0090844 A1 \* 5/2003 Shimizu et al. .... 360/324.12  
2006/0272146 A1 \* 12/2006 Seyama et al. .... 360/324.2

\* cited by examiner

*Primary Examiner*—Antoine D Davis

(74) *Attorney, Agent, or Firm*—Charles E. Baxley

(57) **CLAIM**

The ornamental design for a magnetic sensor, as shown.

**DESCRIPTION**

FIG. 1 is a perspective view of a magnetic sensor showing our new design thereof;

FIG. 2 is a front elevational view thereof;

FIG. 3 is a rear elevational view thereof;

FIG. 4 is a left side elevational view thereof;

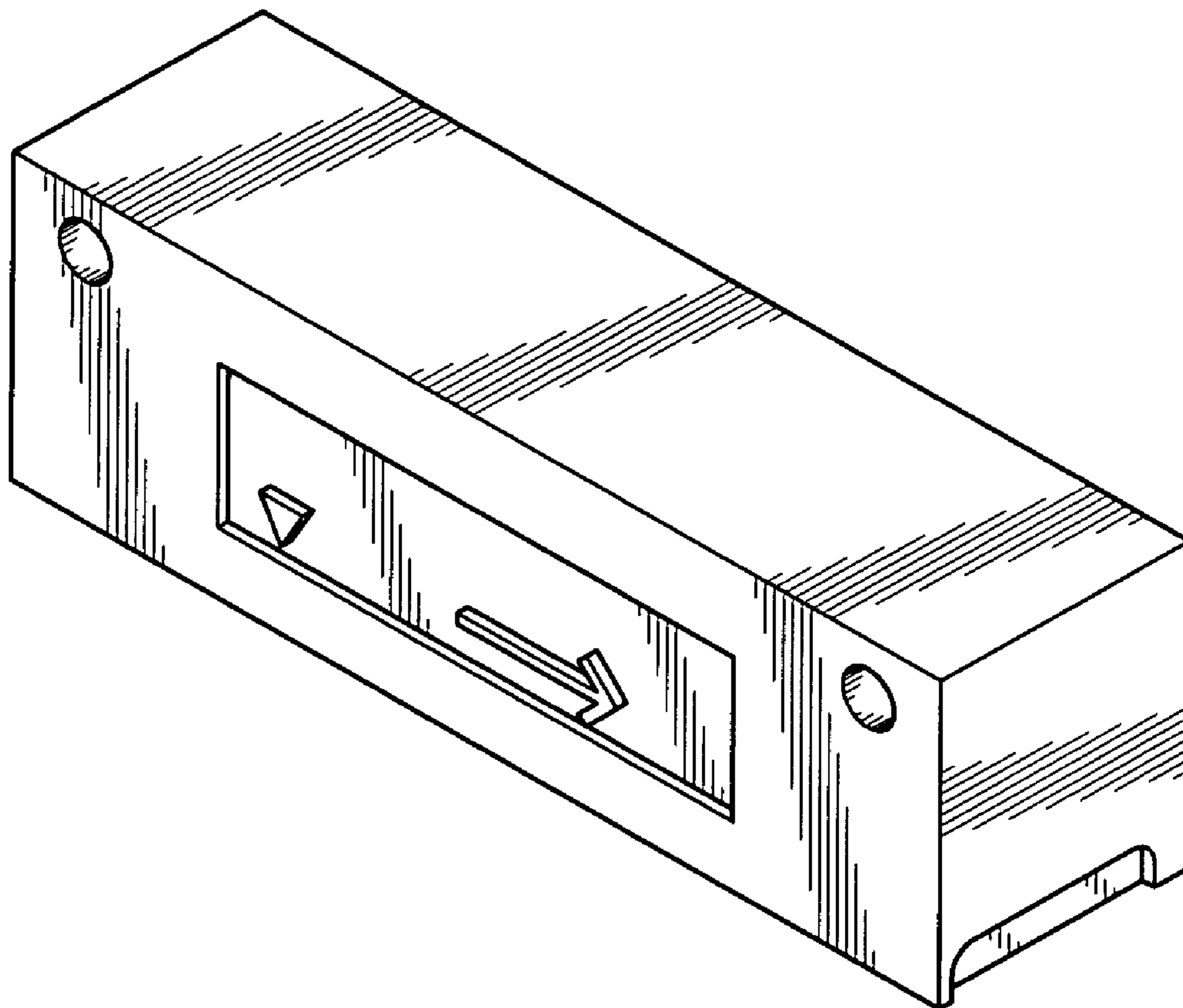
FIG. 5 is a right side elevational view thereof;

FIG. 6 is a top plan view thereof;

FIG. 7 is a bottom plan view thereof; and,

FIG. 8 is a rear perspective view thereof.

**1 Claim, 5 Drawing Sheets**



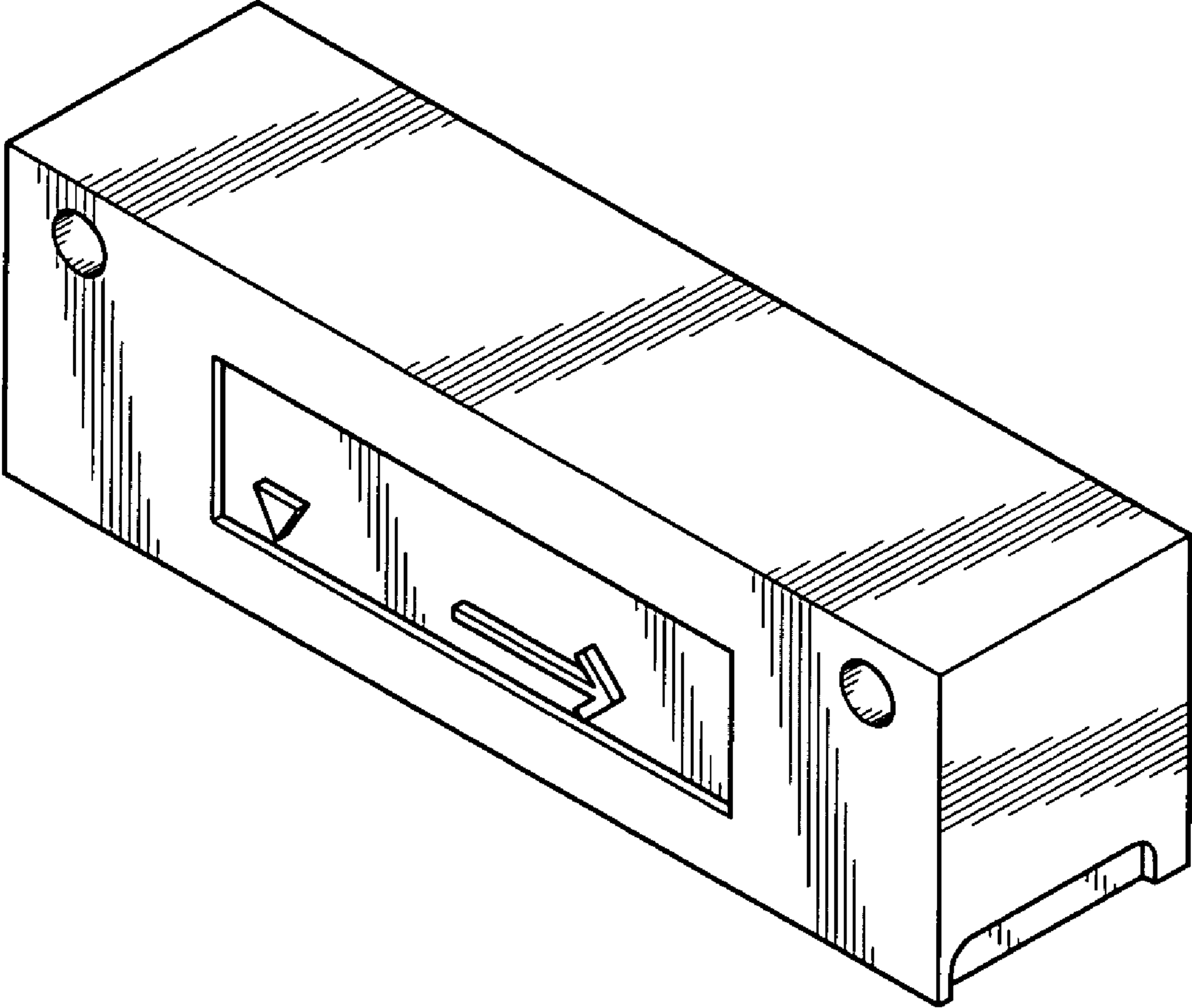


FIG. 1

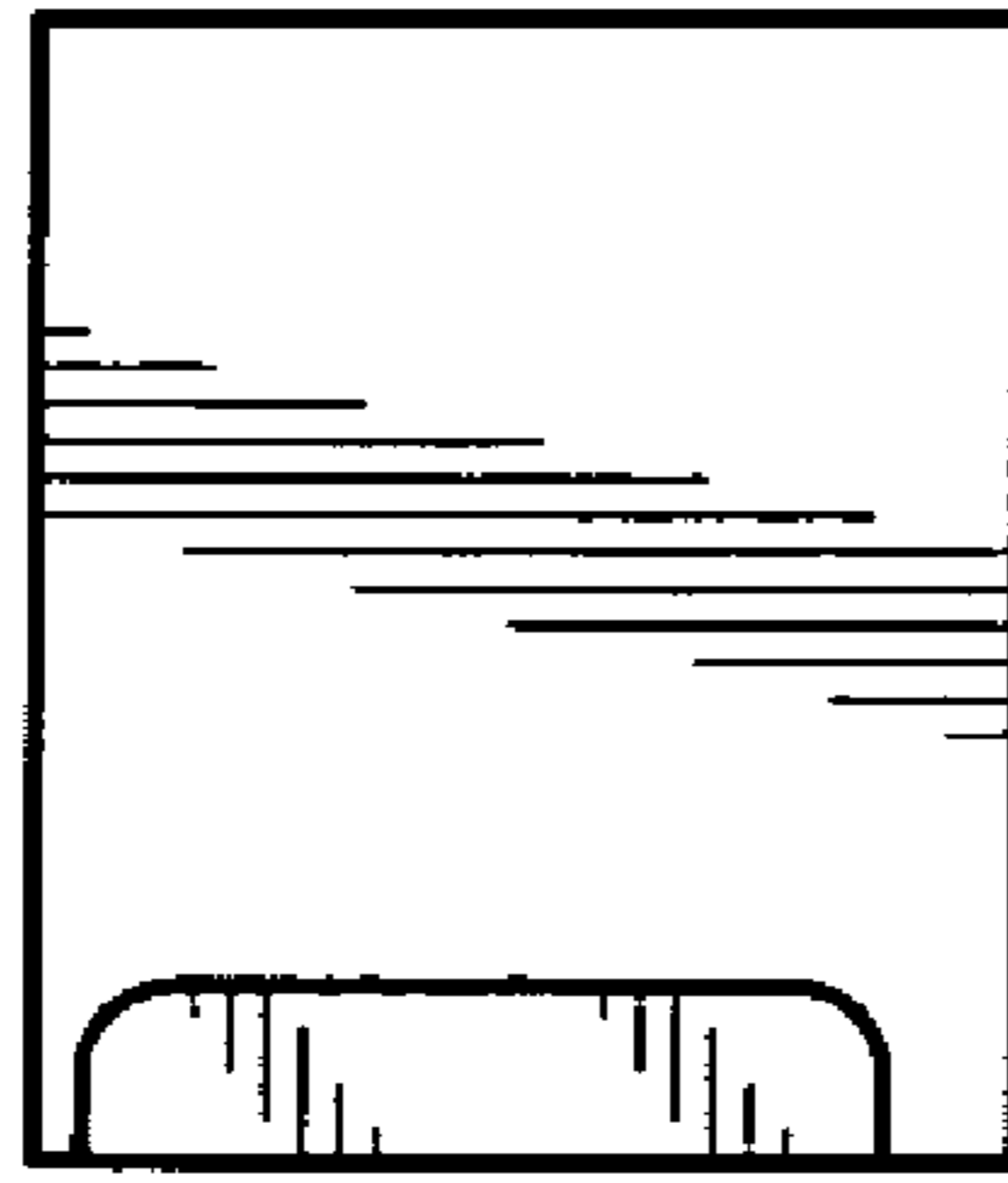


FIG. 2

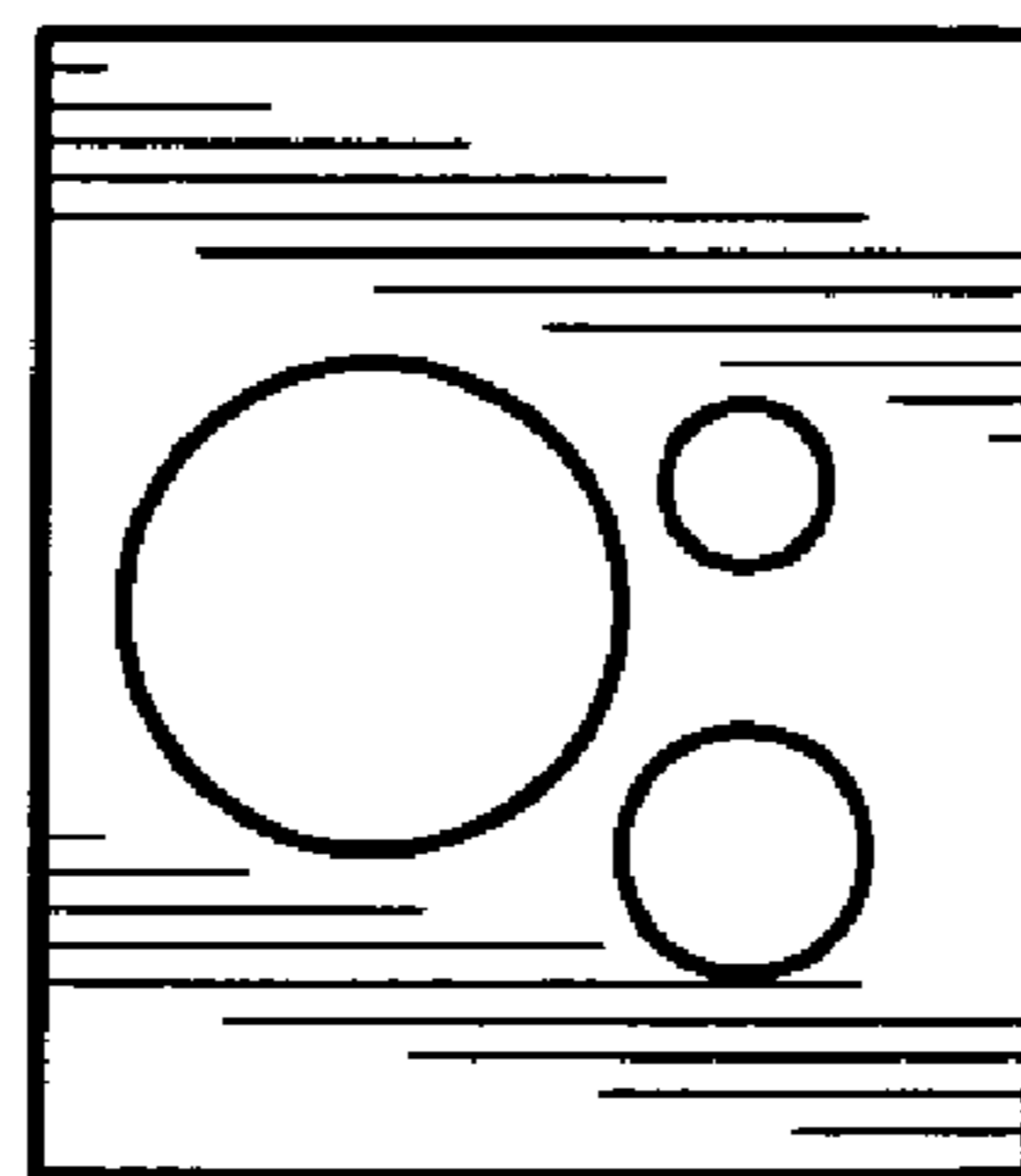


FIG. 3

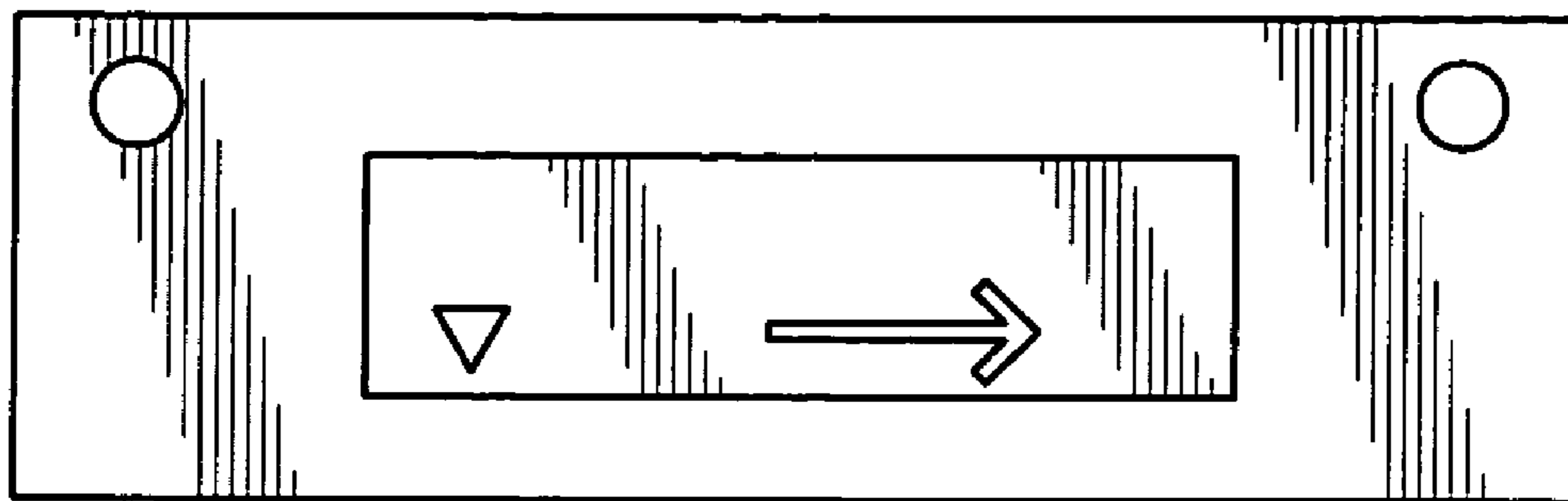


FIG. 4

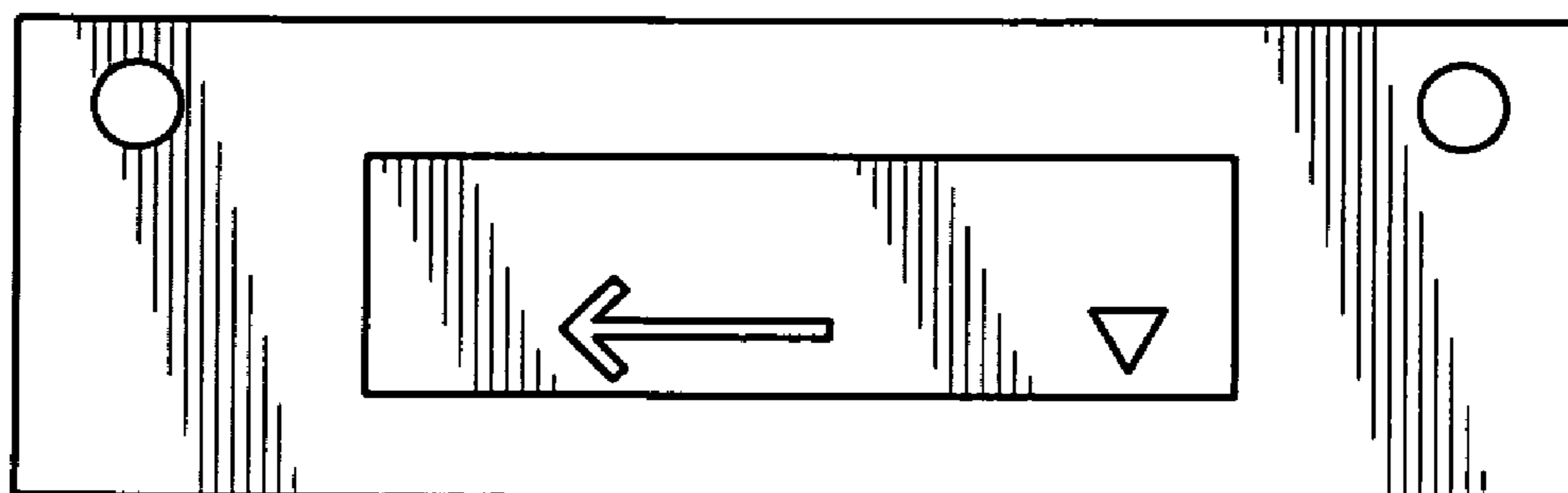


FIG. 5

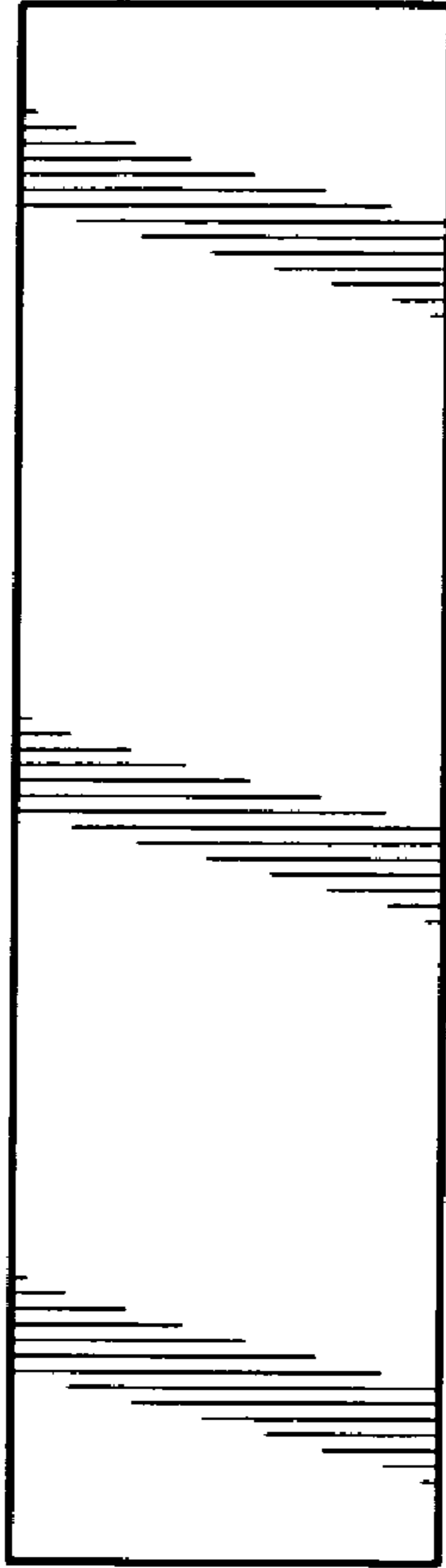


FIG. 6

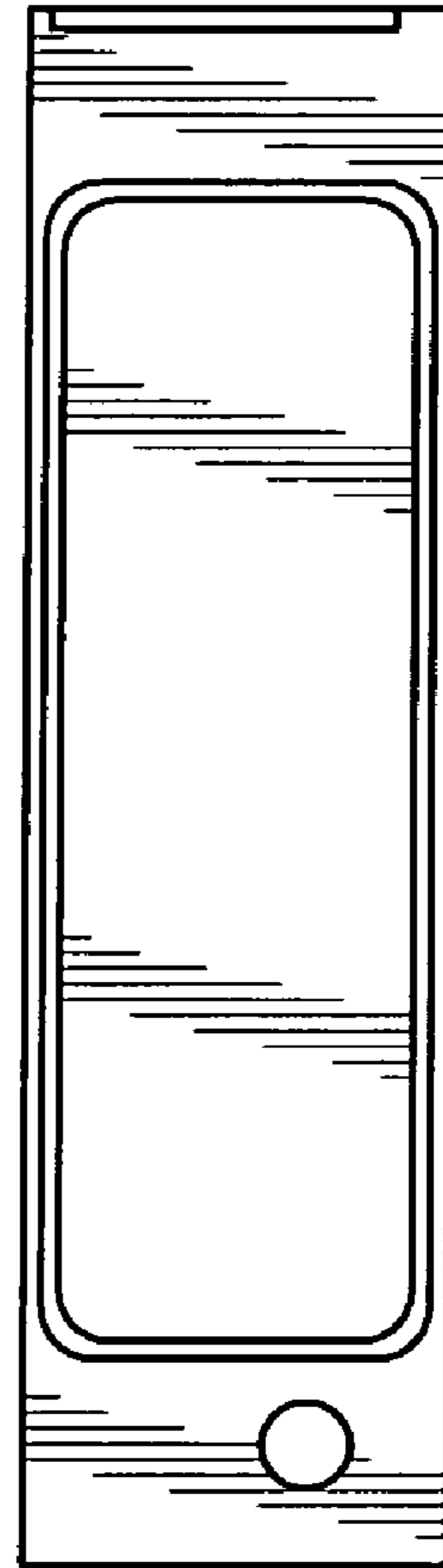


FIG. 7

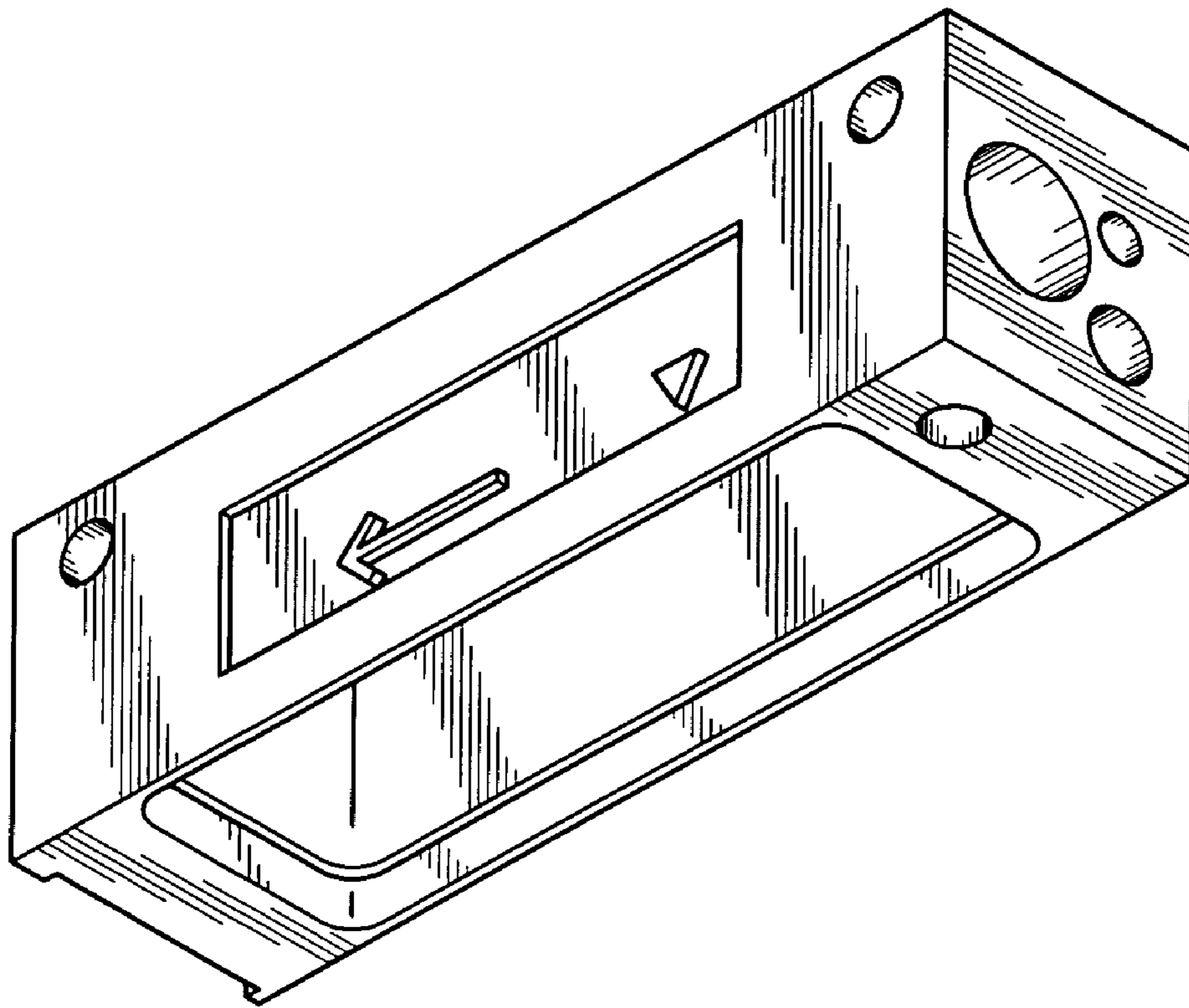


FIG. 8