



US00D593425S

(12) **United States Design Patent**
Weiss

(10) **Patent No.:** **US D593,425 S**
(45) **Date of Patent:** **** Jun. 2, 2009**

(54) **WATCH**

D557,616 S * 12/2007 Foster D10/6
D573,041 S * 7/2008 Lulic D10/39

(76) Inventor: **David Weiss**, 50 Alness Street, Toronto,
ON (CA) M3J 2G9

(**) Term: **14 Years**

(21) Appl. No.: **29/326,488**

(22) Filed: **Oct. 20, 2008**

(30) **Foreign Application Priority Data**

Jun. 13, 2008 (CA) 126527

(51) **LOC (9) Cl.** **10-02**

(52) **U.S. Cl.** **D10/33; D10/38**

(58) **Field of Classification Search** D10/30–39,
D10/122–132, 33; 368/276, 281, 282, 285
See application file for complete search history.

(56) **References Cited**

U.S. PATENT DOCUMENTS

D126,380 S * 4/1941 Didisheim D10/33
D224,913 S * 10/1972 Maroni D10/32
D340,650 S * 10/1993 Iwamura D10/32
D359,917 S * 7/1995 Haenni D10/33
D361,525 S * 8/1995 Yudovin D10/33
D417,158 S * 11/1999 Krauss D10/30
D433,949 S * 11/2000 Helleu D10/30
D505,086 S * 5/2005 Fernandez D10/39
D510,037 S * 9/2005 Modolo D10/32
D552,491 S * 10/2007 Vidal D10/38
D553,016 S * 10/2007 Foster D10/6

OTHER PUBLICATIONS

Moving Hockey Puck Watch entry on eBay, http://cgi.ebay/Moving-Hockey-Puck-Watch-kids-velco-adjustable-band_W0QQitemZ36003019207OQQihZ023QQcatego....., accessed on or about Apr. 21, 2008.

* cited by examiner

Primary Examiner—Lucy Lieberman

(74) *Attorney, Agent, or Firm*—Calfee, Halter & Griswold LLP

(57) **CLAIM**

The ornamental design for a watch, as shown and described.

DESCRIPTION

FIG. 1 is a front, right side and bottom perspective view of a watch showing my new design;

FIG. 2 is a top plan view thereof;

FIG. 3 is a bottom plan view thereof;

FIG. 4 is a right side elevation thereof;

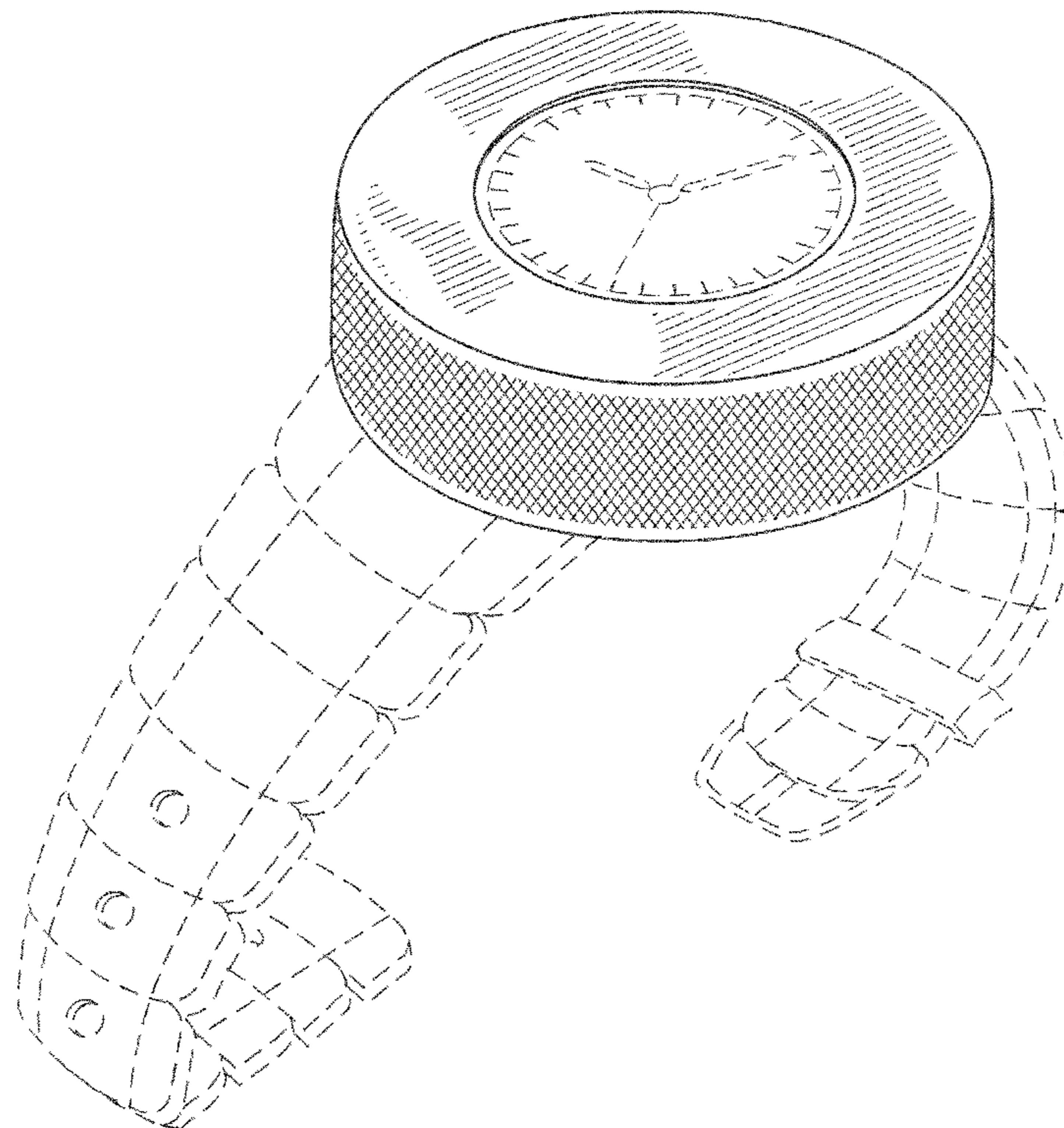
FIG. 5 is a left side elevation thereof;

FIG. 6 is a front elevation thereof; and,

FIG. 7 is a rear elevation thereof.

The broken lines shown in the drawings are for illustrative purposes only and form no part of the claimed design.

1 Claim, 5 Drawing Sheets



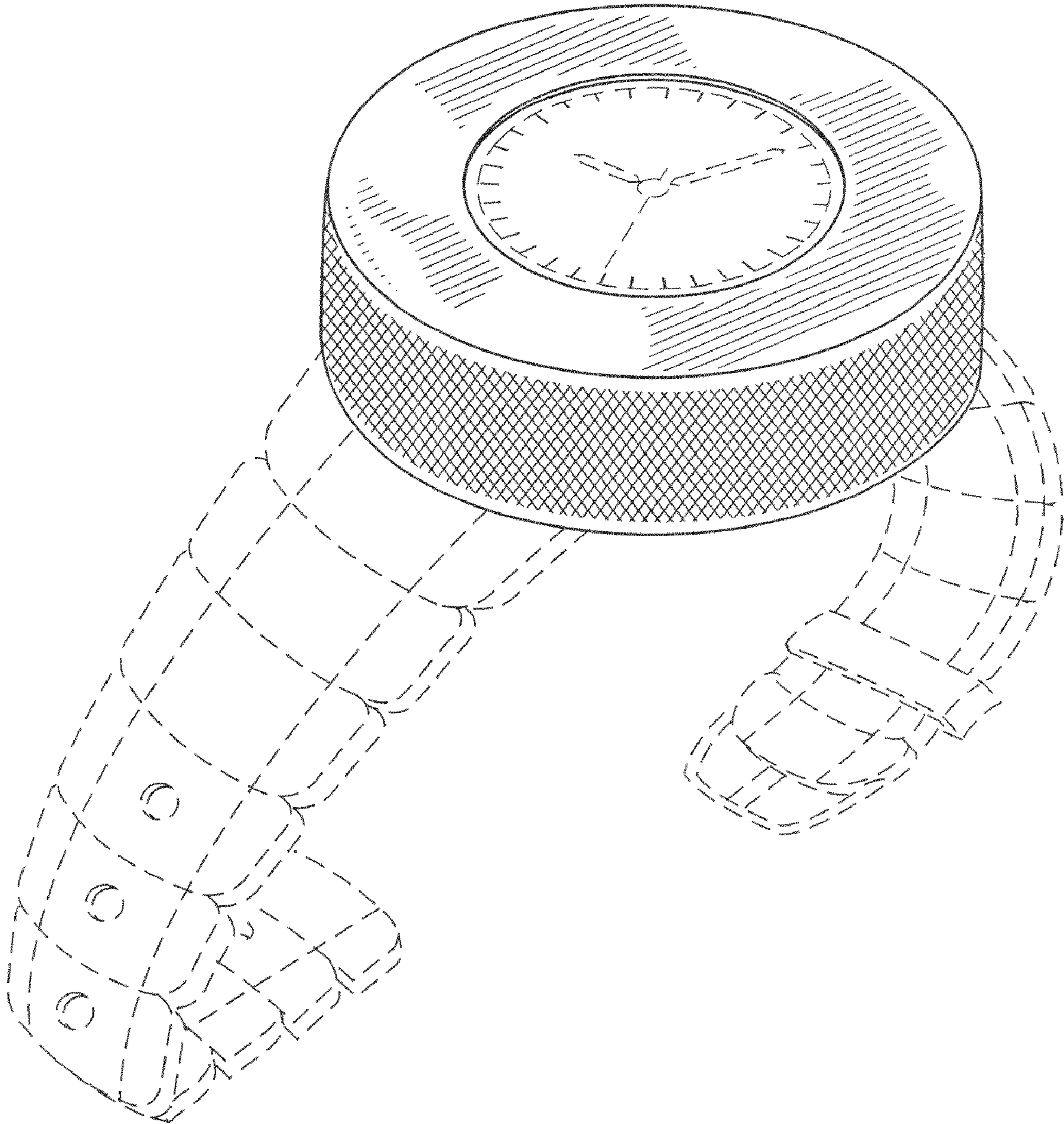


FIG. 1

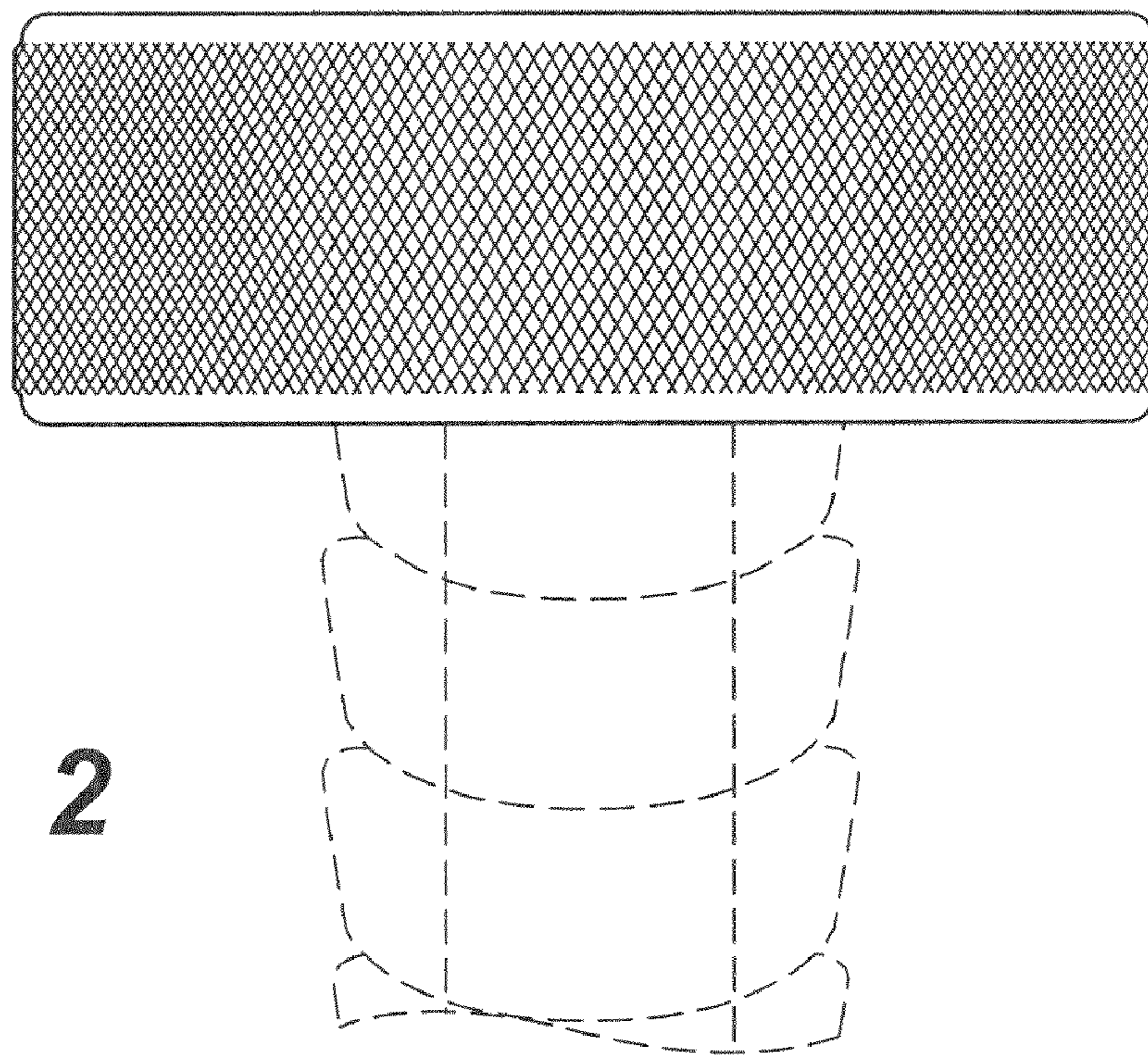


FIG. 2

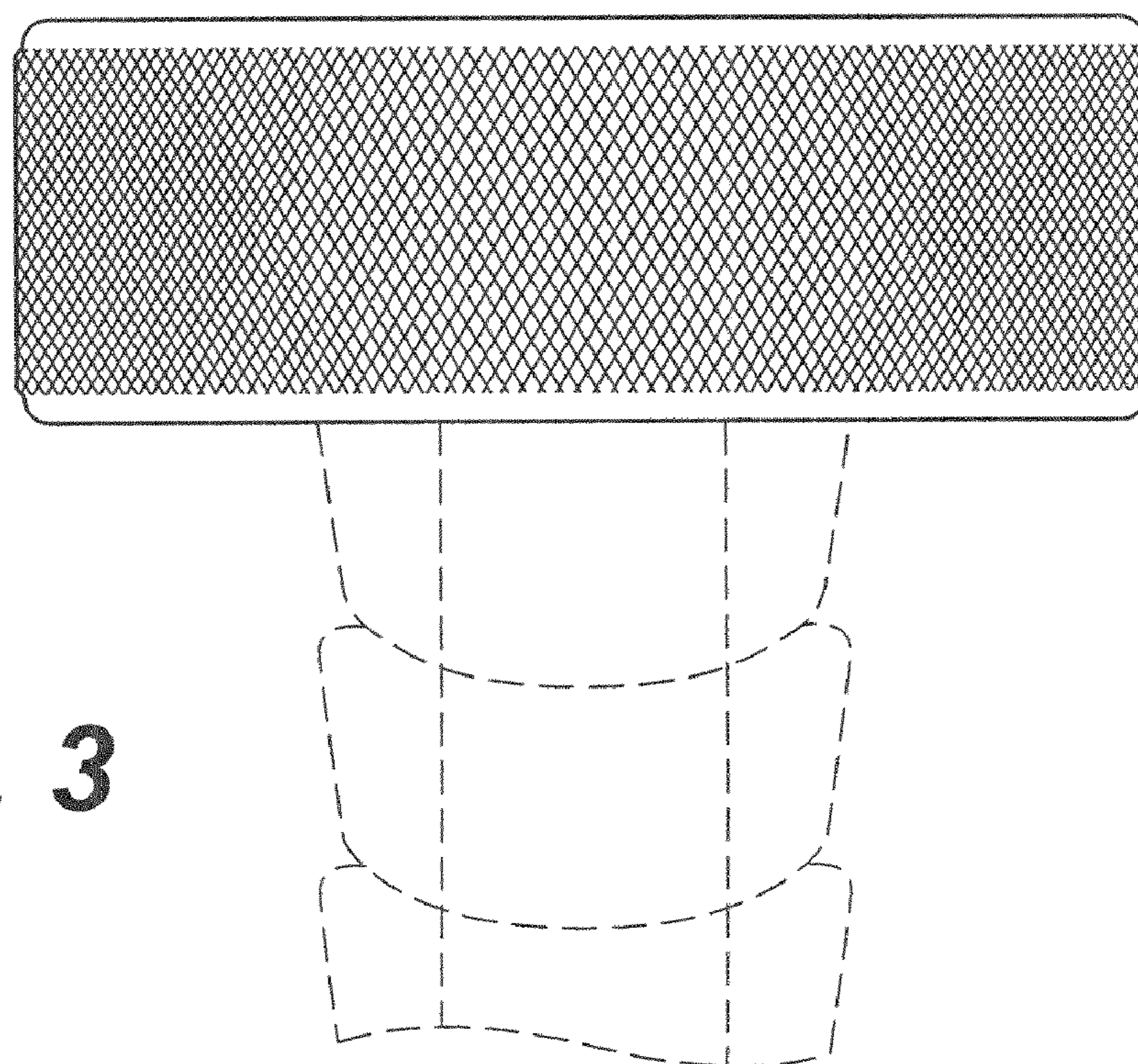
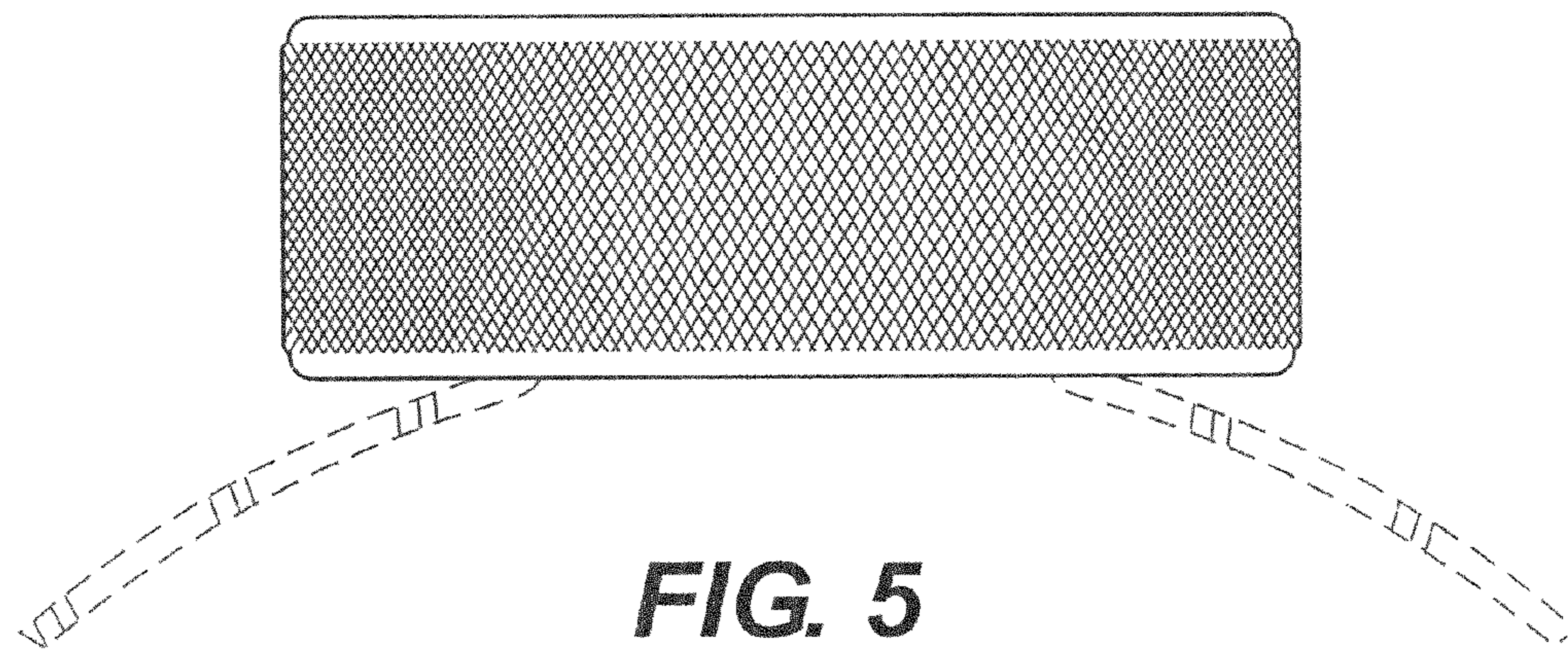
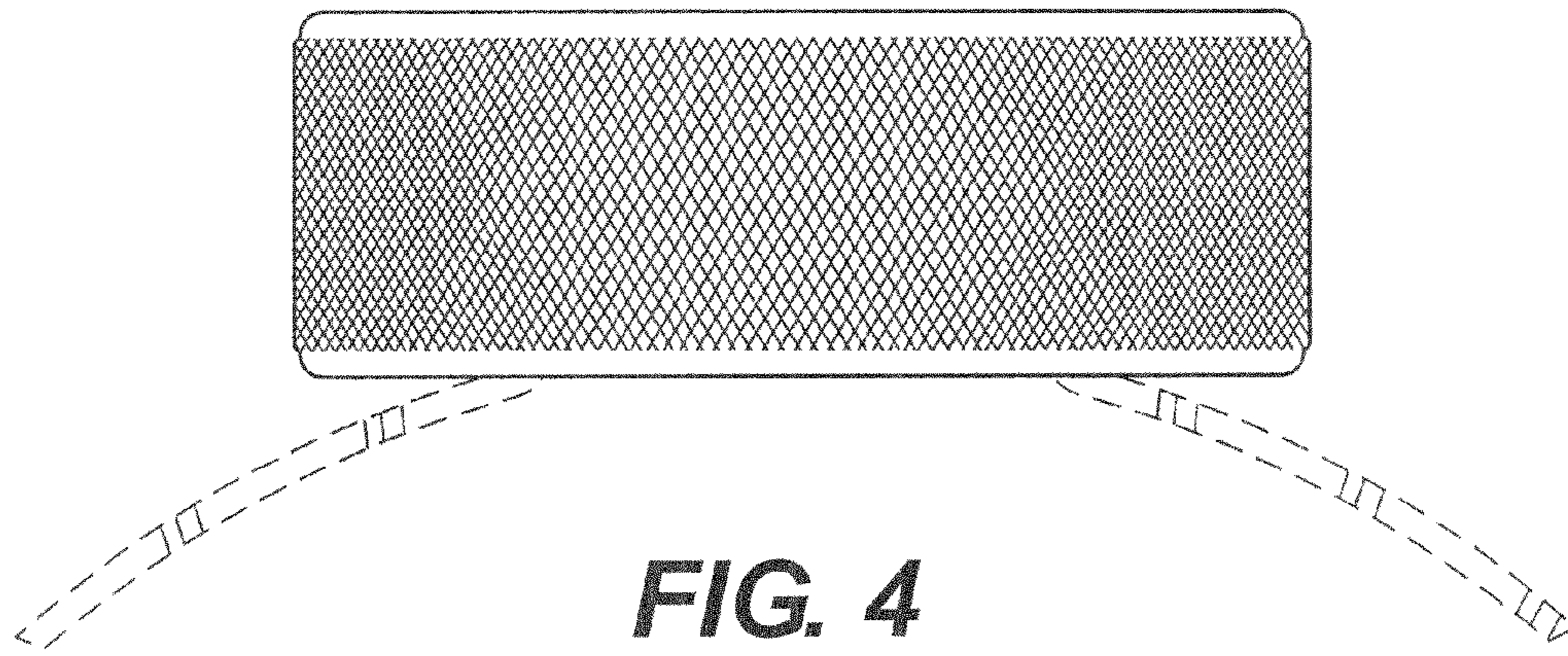


FIG. 3



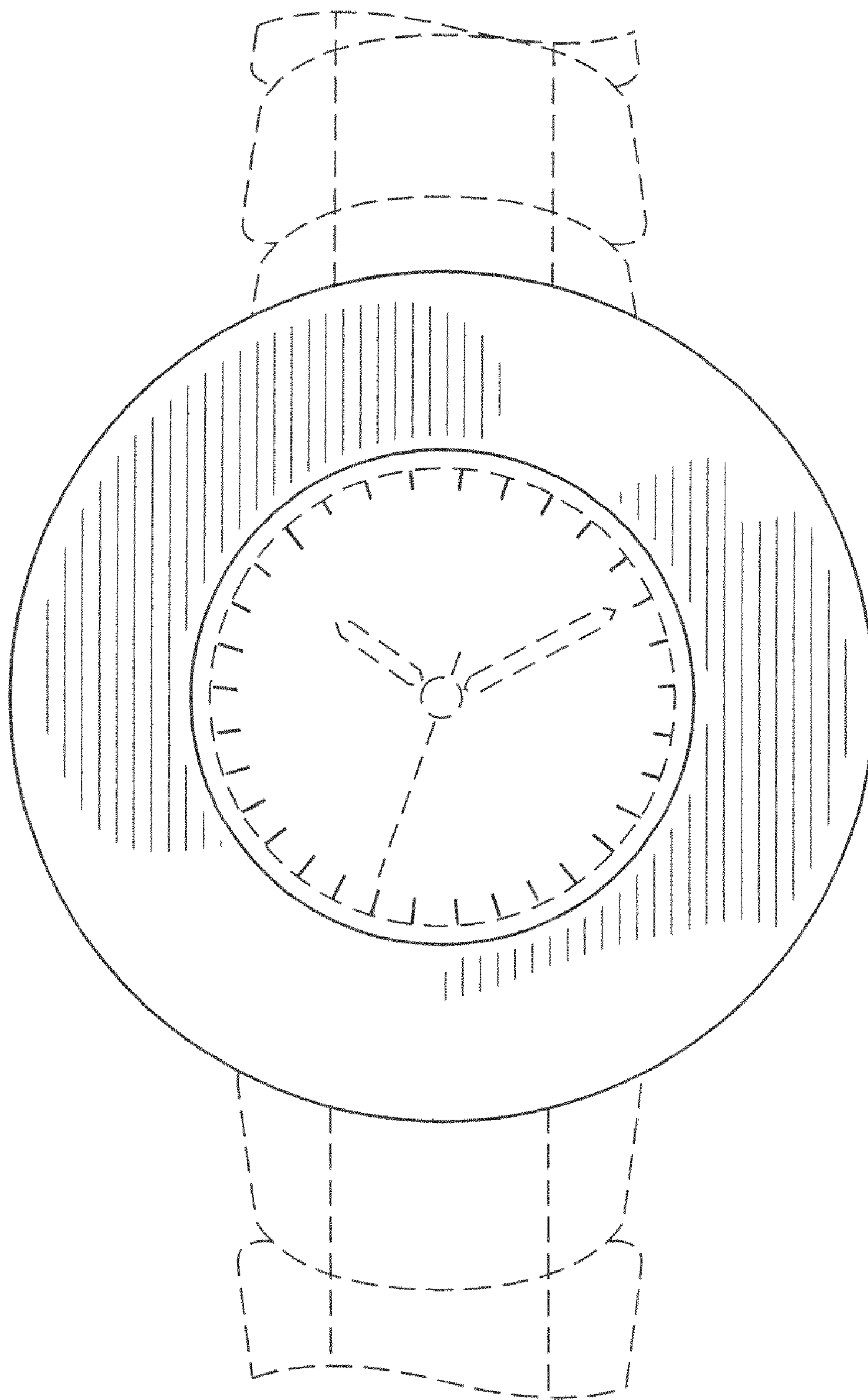


FIG. 6

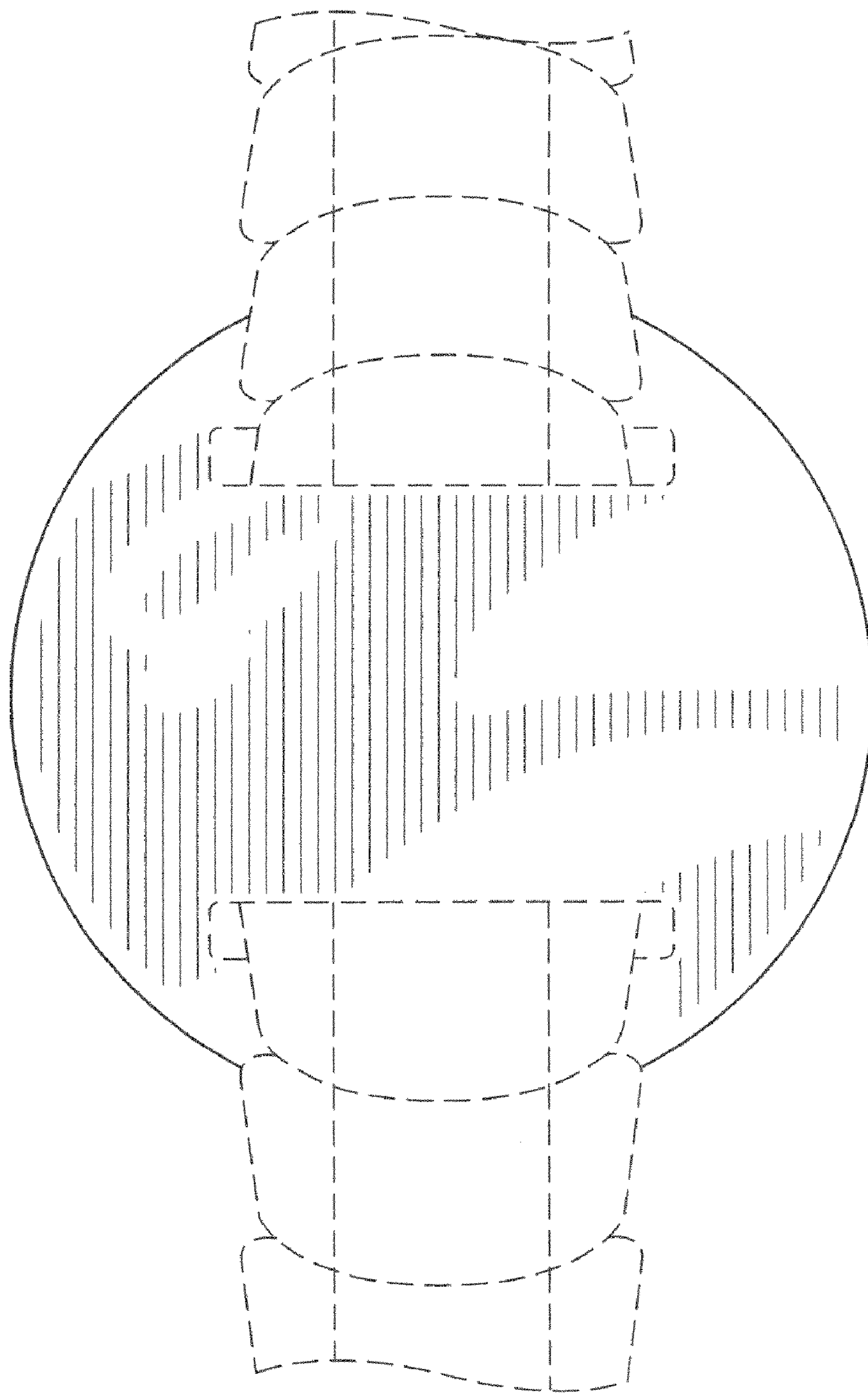


FIG. 7