



US00D593421S

(12) **United States Design Patent**
Berman

(10) **Patent No.:** **US D593,421 S**

(45) **Date of Patent:** **** Jun. 2, 2009**

(54) **TRIANGULAR POUCH WITH SMALL SPOUT**

(75) Inventor: **Ronald H. Berman**, Long Beach, CA
(US)

(73) Assignee: **Bosch Pouch Systems AG** (CH)

(**) Term: **14 Years**

(21) Appl. No.: **29/269,912**

(22) Filed: **Dec. 11, 2006**

(51) **LOC (9) Cl.** **09-05**

(52) **U.S. Cl.** **D9/708**

(58) **Field of Classification Search** D9/695-697,
D9/710-711, 719-722, 707-708, 435, 447,
D9/716, 442, 434, 522, 417, 415; 383/61.2,
383/104, 42, 119, 906; 222/107, 541.1, 541.5;
220/495.03

See application file for complete search history.

(56) **References Cited**

U.S. PATENT DOCUMENTS

4,830,273	A *	5/1989	Kalberer et al.	229/123.1
D307,385	S *	4/1990	Kimura	D9/697
5,108,029	A *	4/1992	Abrams et al.	229/125.09
D420,908	S *	2/2000	Sumner	D9/417
D437,218	S *	2/2001	Ljunstrom et al.	D9/417
D451,793	S *	12/2001	Berman	D9/709
D513,991	S *	1/2006	Canino	D9/527
D527,629	S *	9/2006	Franic	D9/431
D532,702	S *	11/2006	Berman	D9/708
D548,612	S *	8/2007	Berman	D9/708
D550,569	S *	9/2007	Berman	D9/707
D550,570	S *	9/2007	Berman	D9/708

D562,130 S * 2/2008 Kortsmit et al. D9/430

* cited by examiner

Primary Examiner—Caron Veynar

Assistant Examiner—Abraham Bahta

(74) *Attorney, Agent, or Firm*—Fulwider Patton LLP

(57) **CLAIM**

The ornamental design for a triangular pouch with small spout, as shown and described.

DESCRIPTION

FIG. 1 is an elevated perspective view of a first embodiment of a triangular pouch with small spout showing my new design;

FIG. 2 is a front view thereof;

FIG. 3 is a rear view thereof;

FIG. 4 is a first side view thereof;

FIG. 5 is a second side view thereof;

FIG. 6 is a top view thereof;

FIG. 7 is a bottom view thereof;

FIG. 8 is an elevated perspective view of a second embodiment of a triangular pouch with small spout;

FIG. 9 is a front view thereof;

FIG. 10 is a rear view thereof;

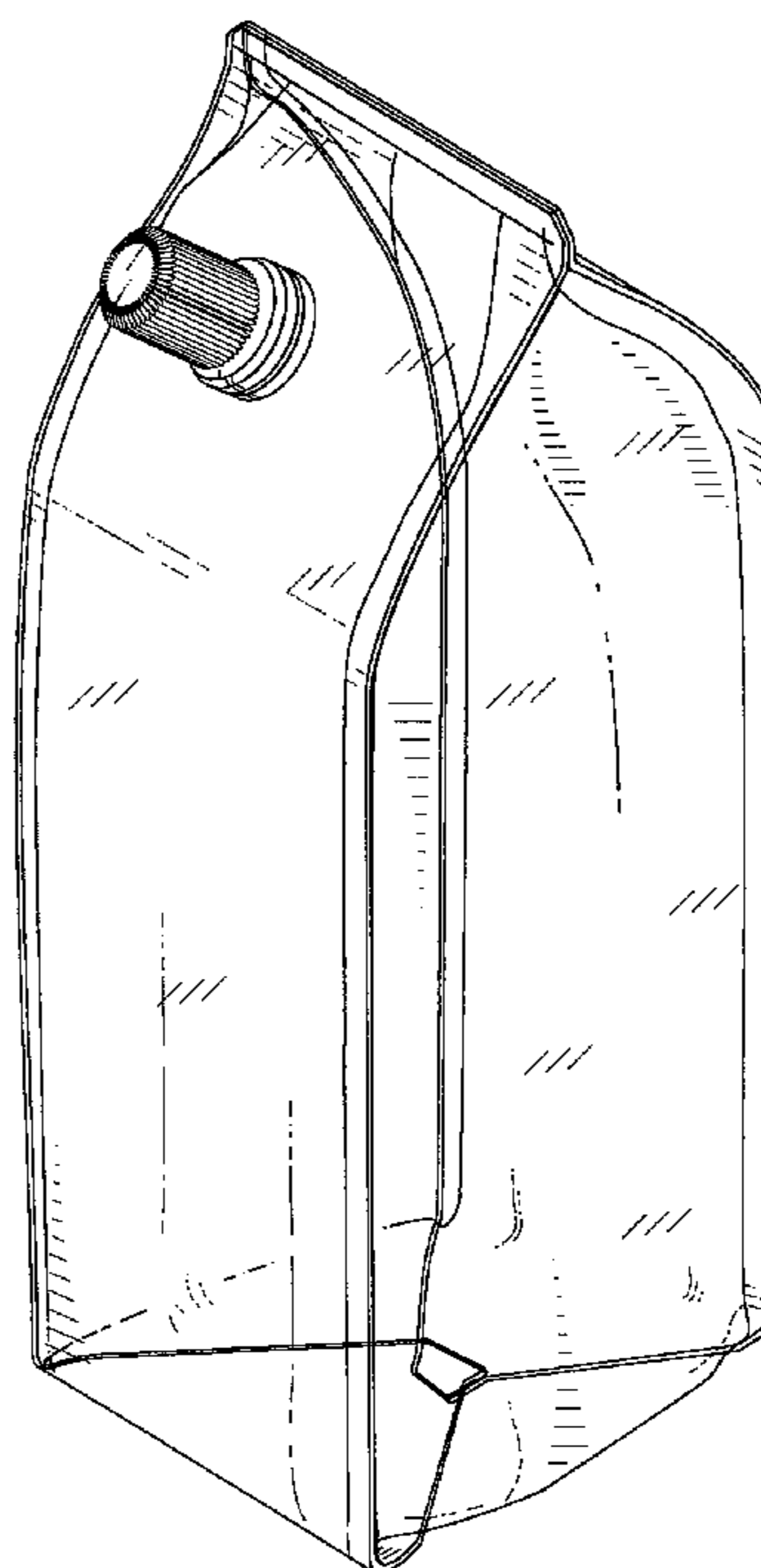
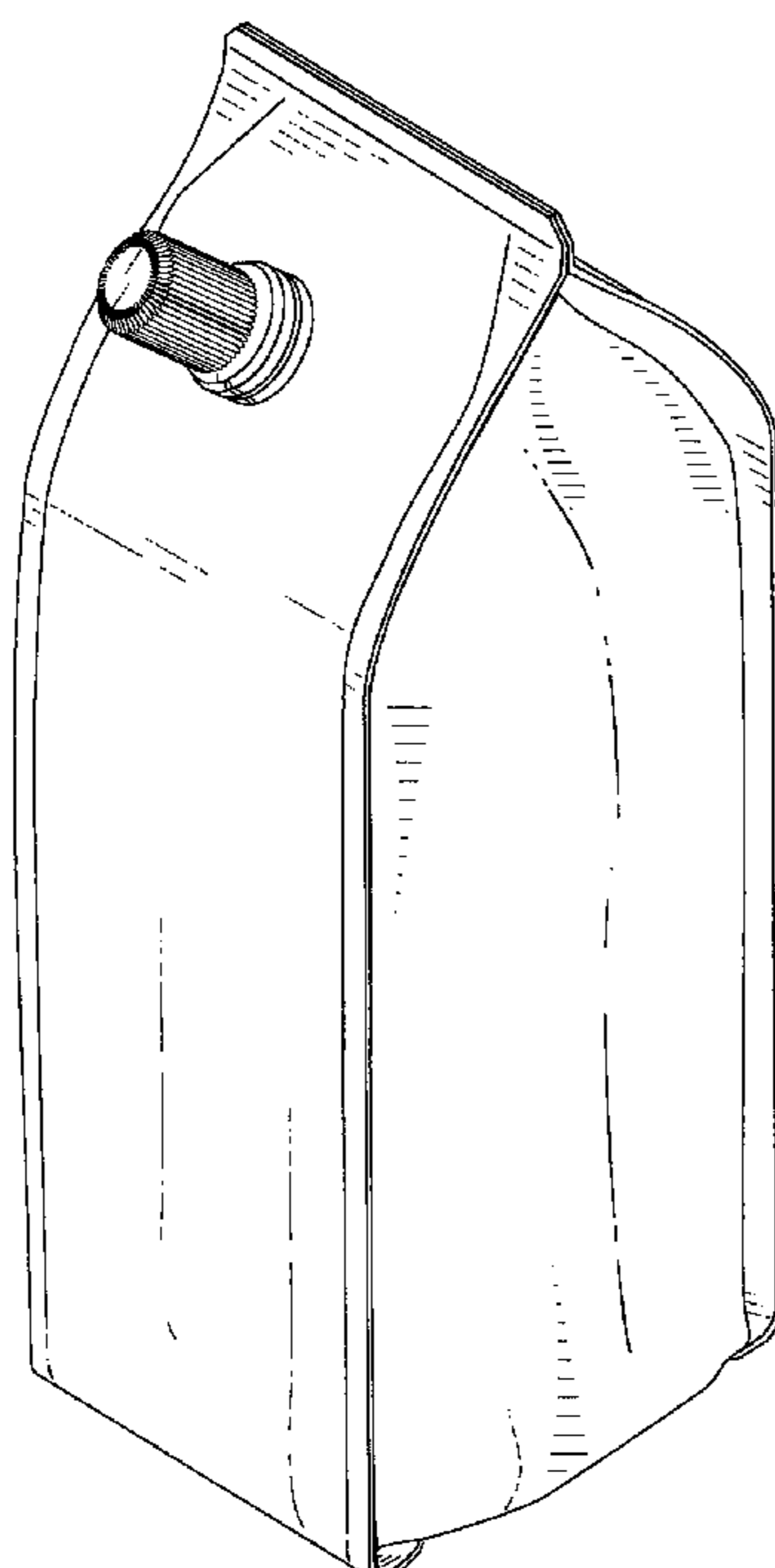
FIG. 11 is a first side view thereof;

FIG. 12 is a second side view thereof;

FIG. 13 is a top view thereof; and,

FIG. 14 is a bottom view thereof.

1 Claim, 8 Drawing Sheets



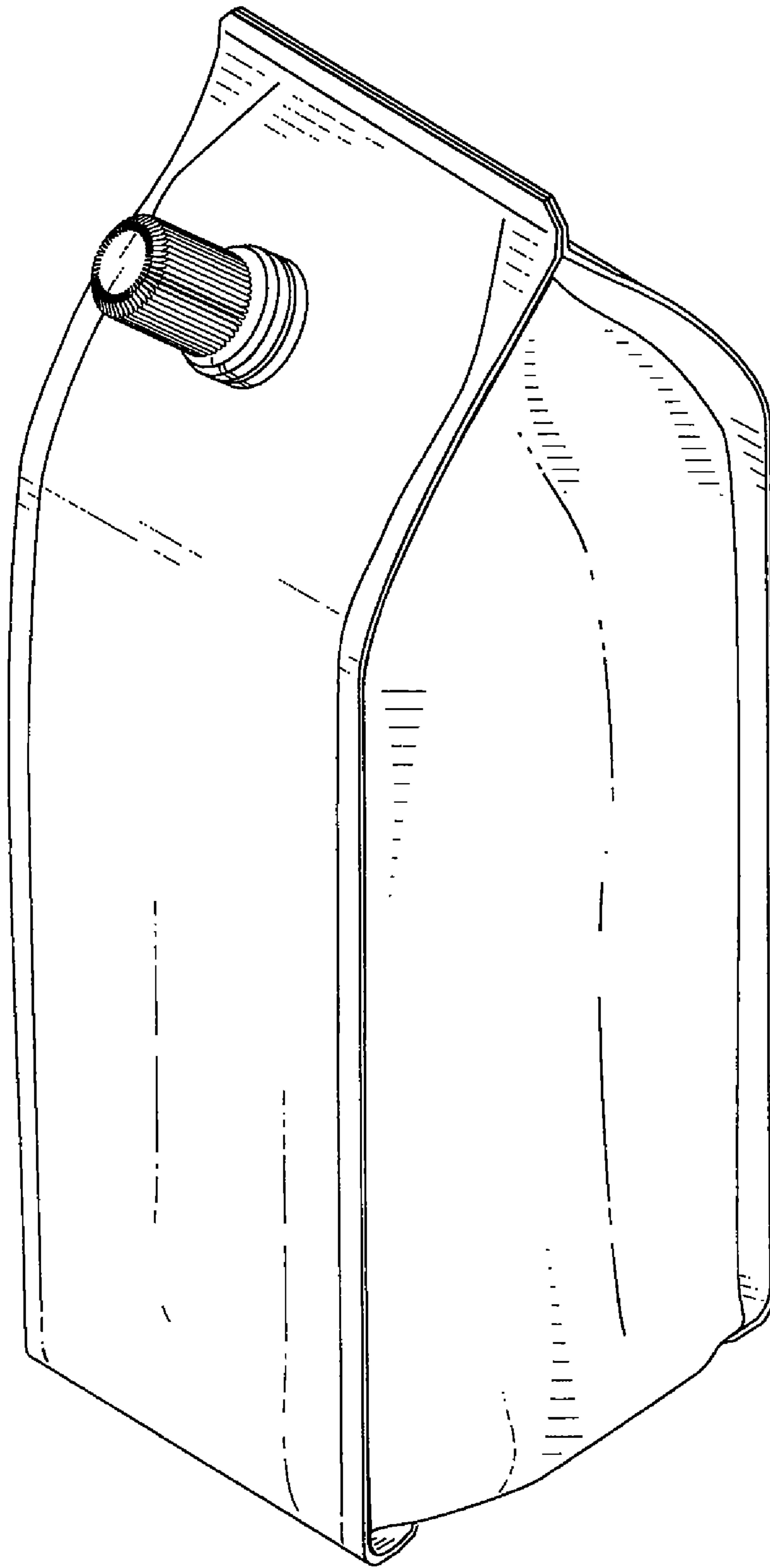


FIG. 1

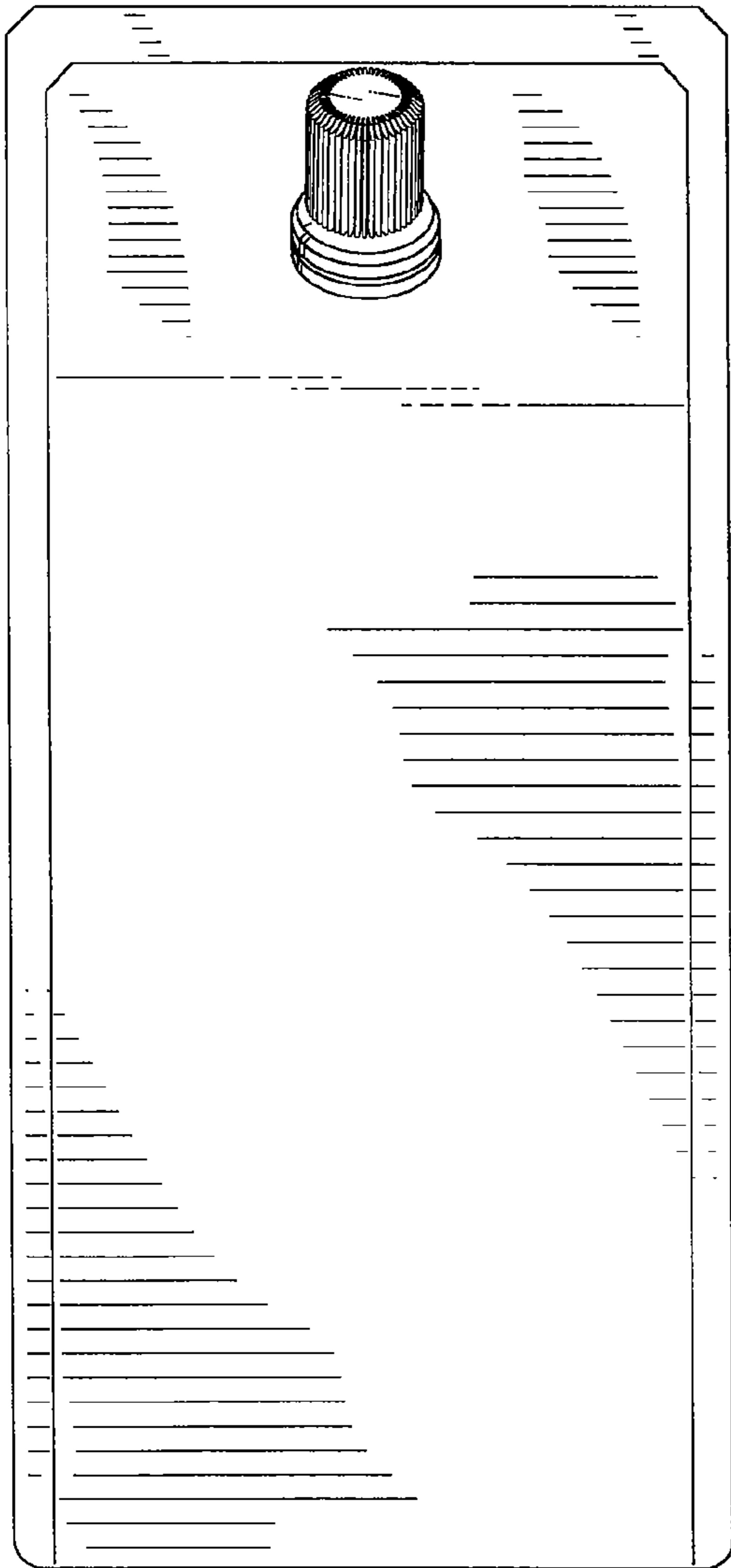


FIG. 2

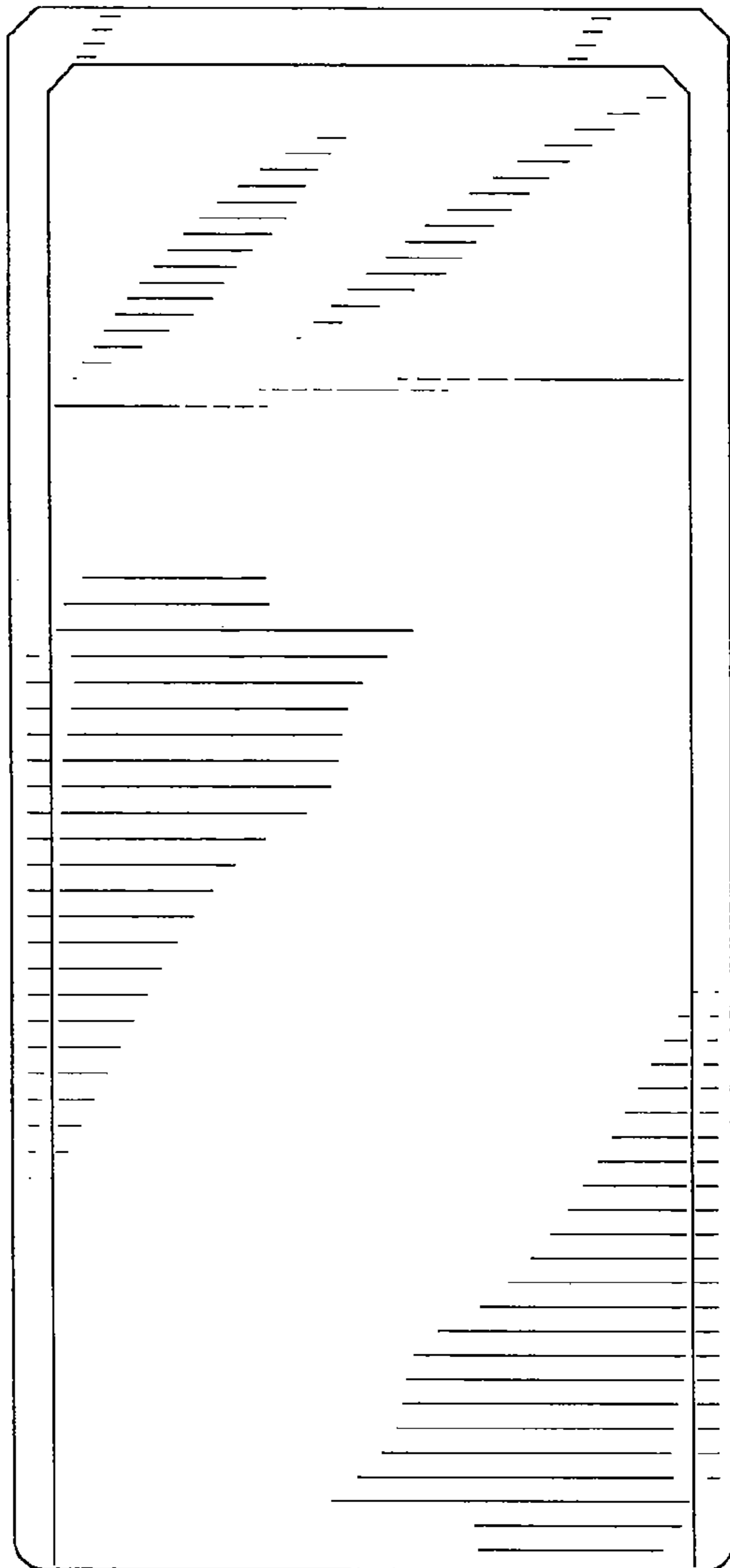


FIG. 3

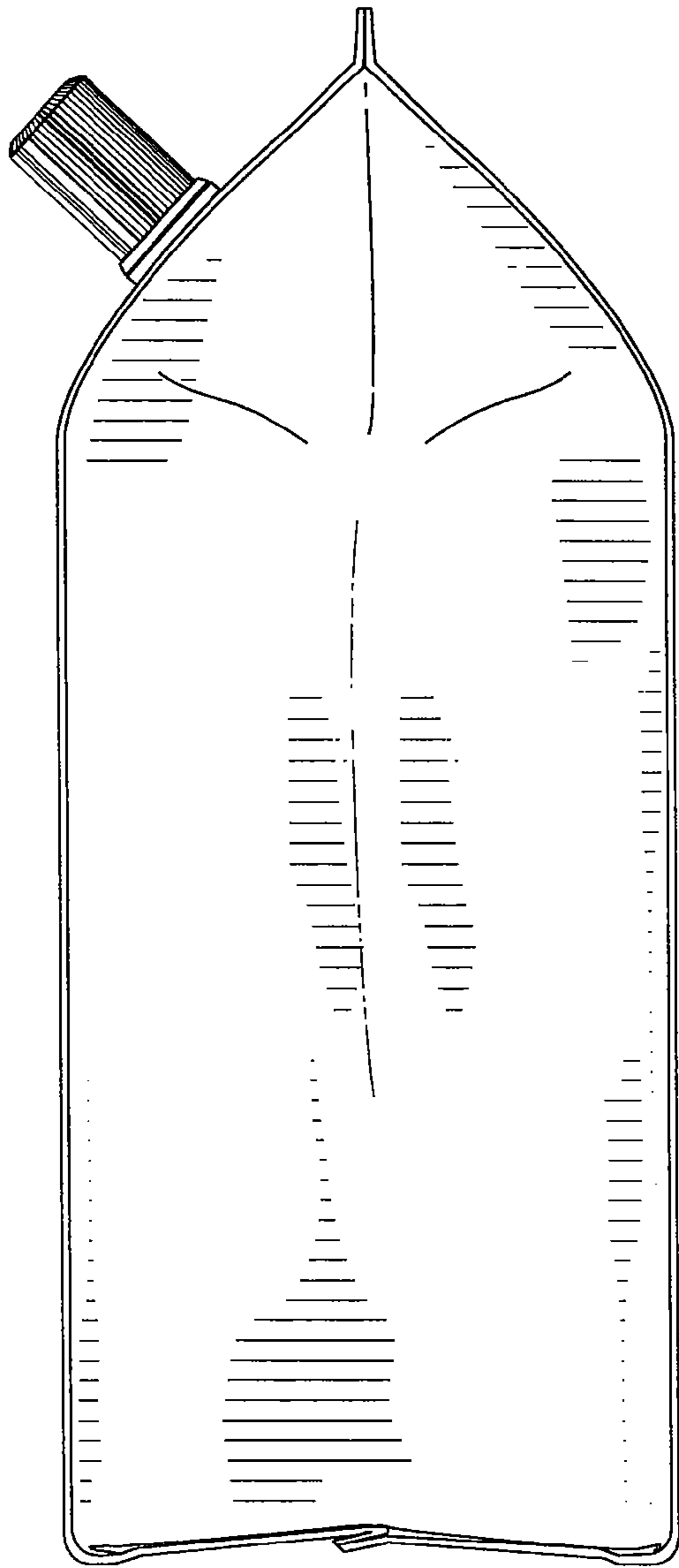


FIG. 4

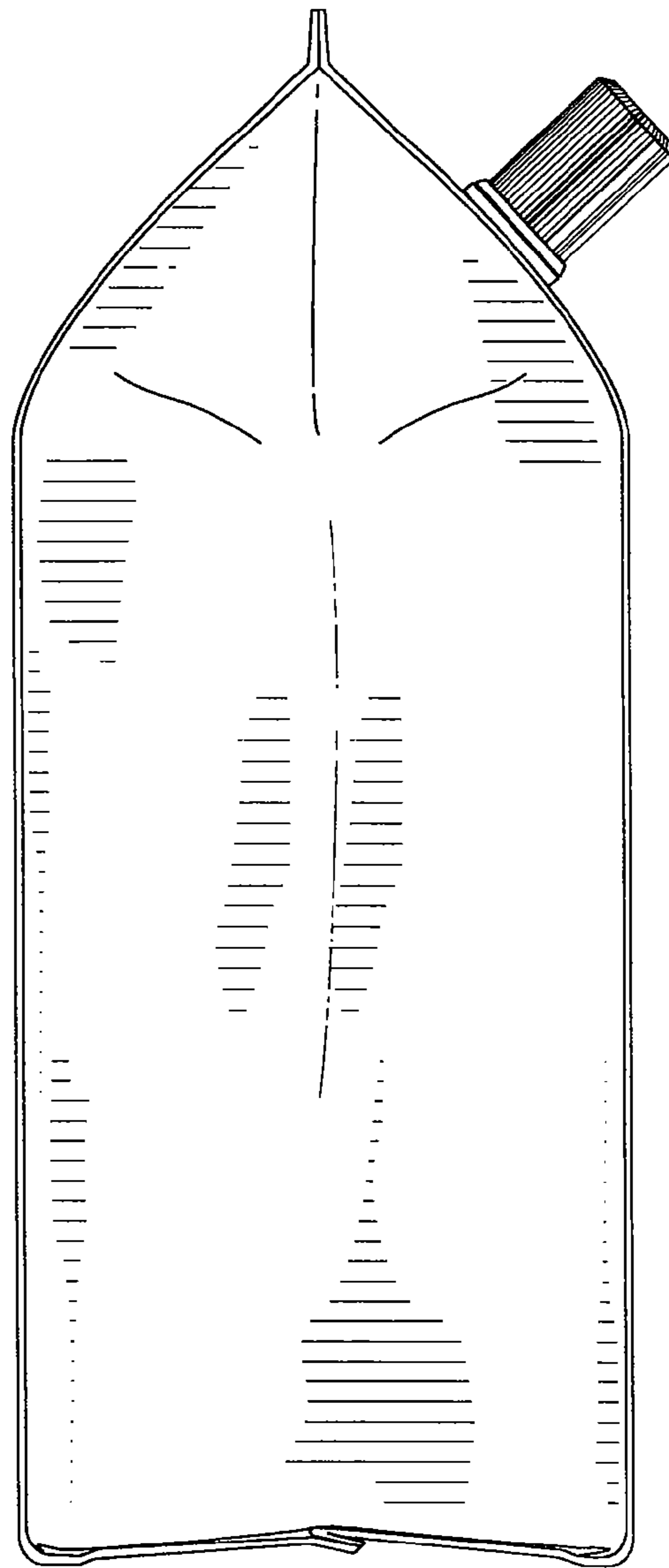


FIG. 5

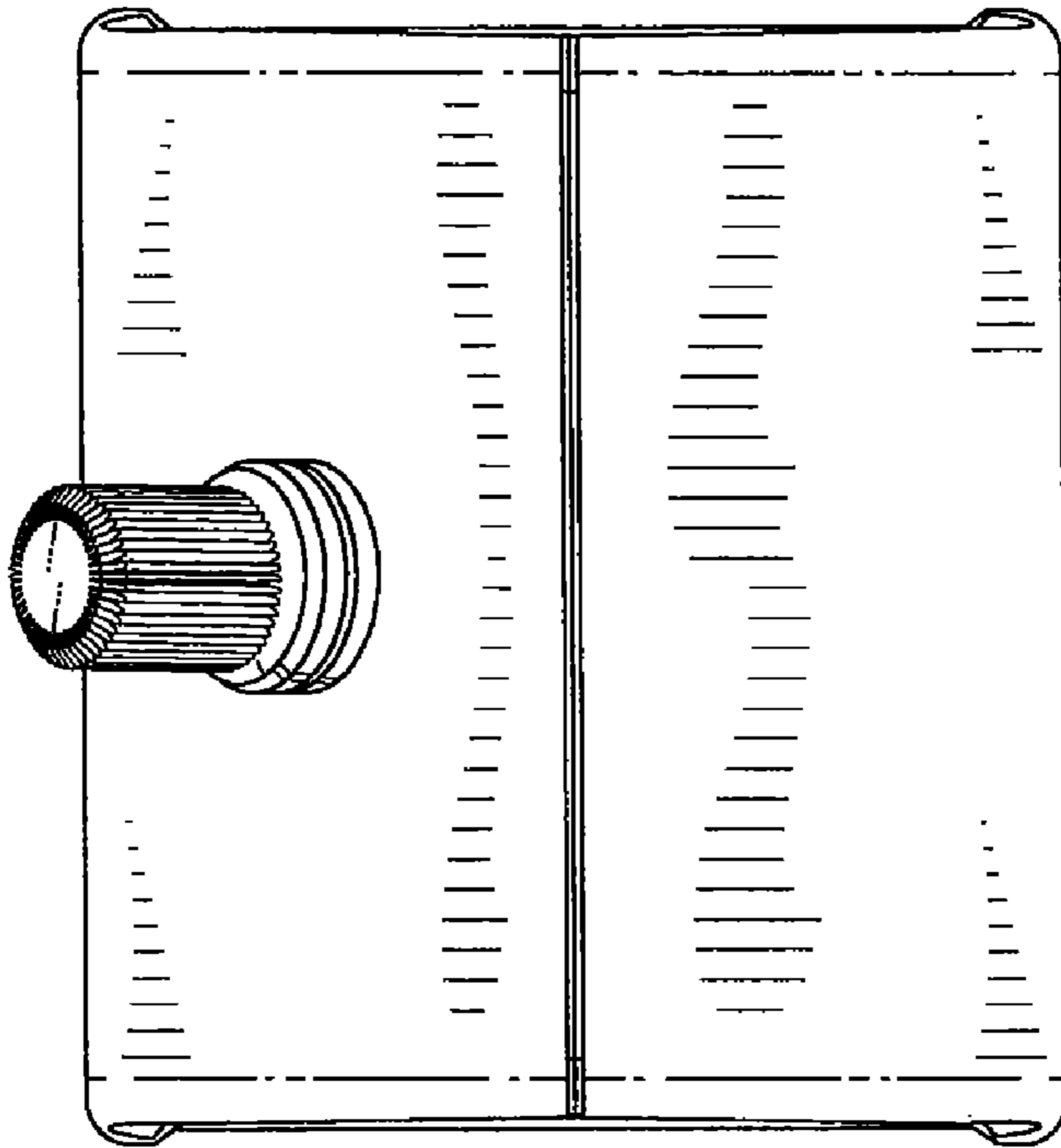


FIG. 6

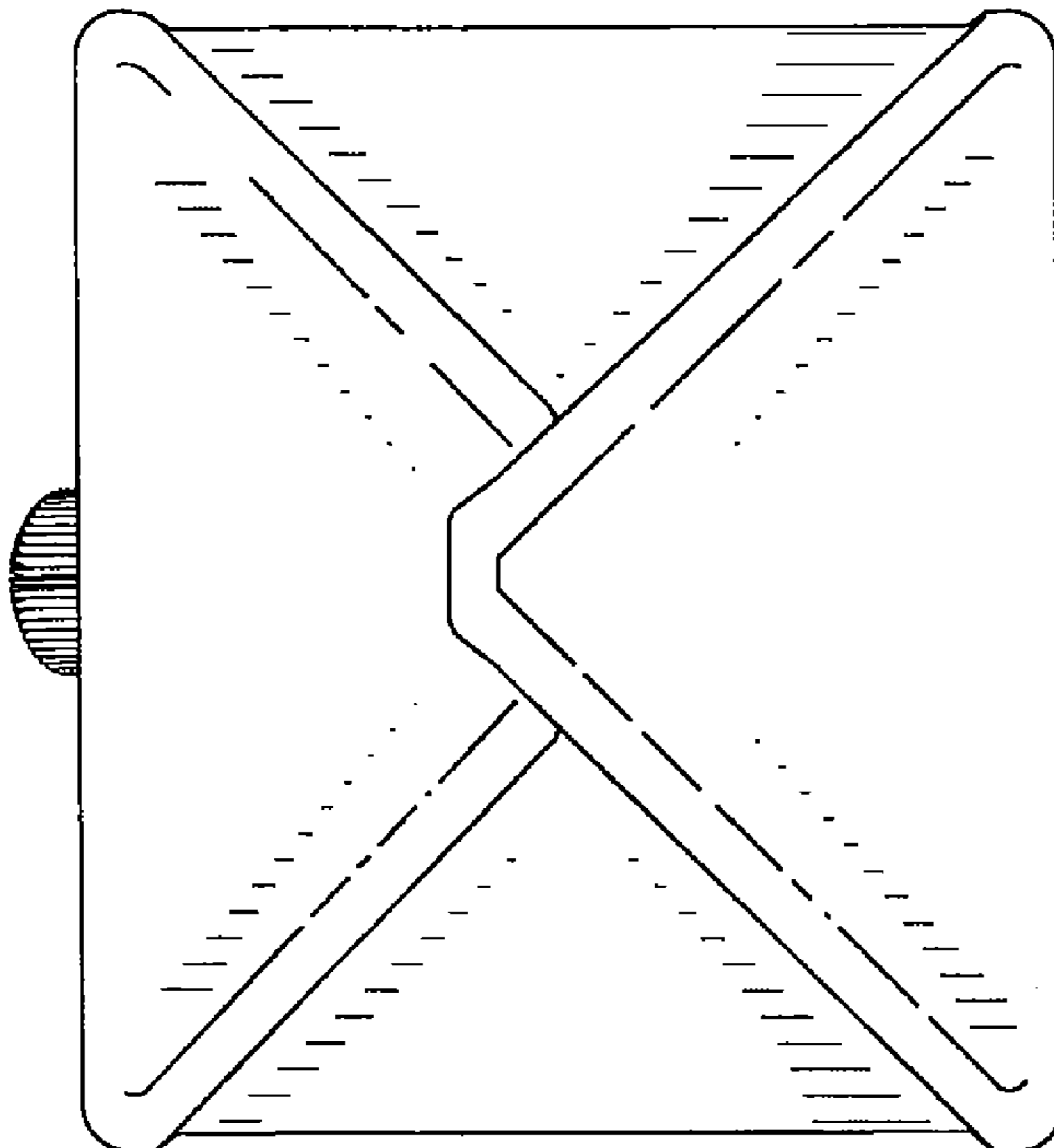


FIG. 7

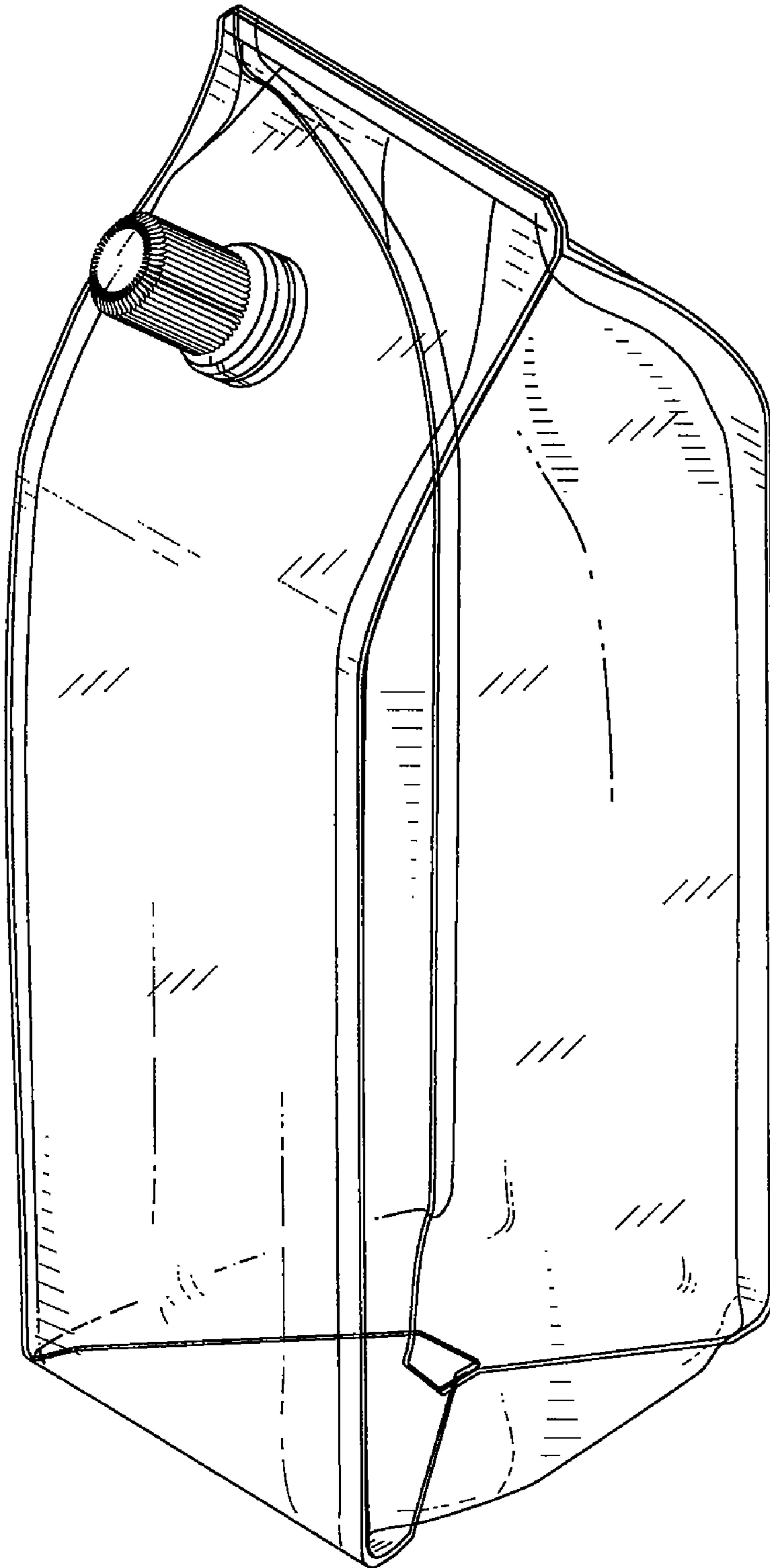


FIG. 8

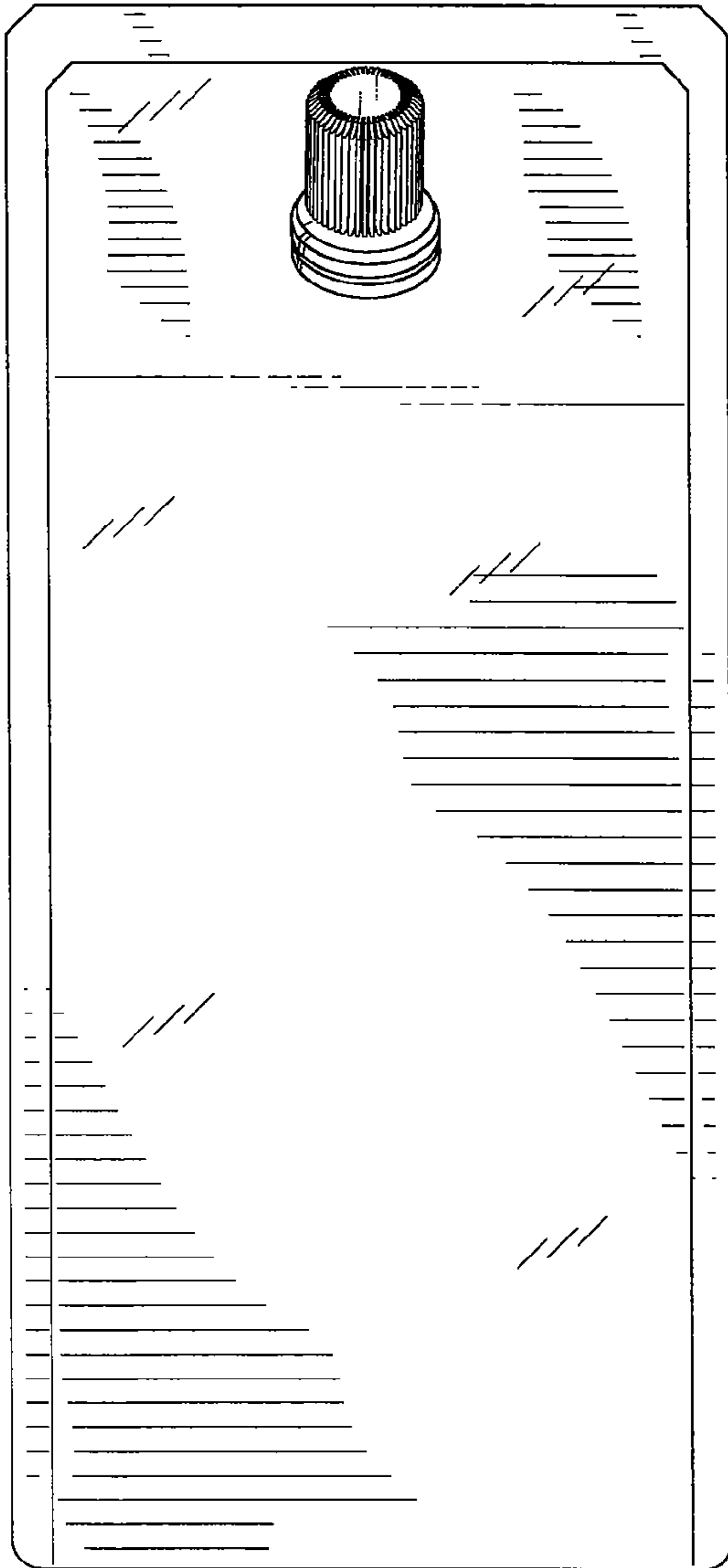


FIG. 9

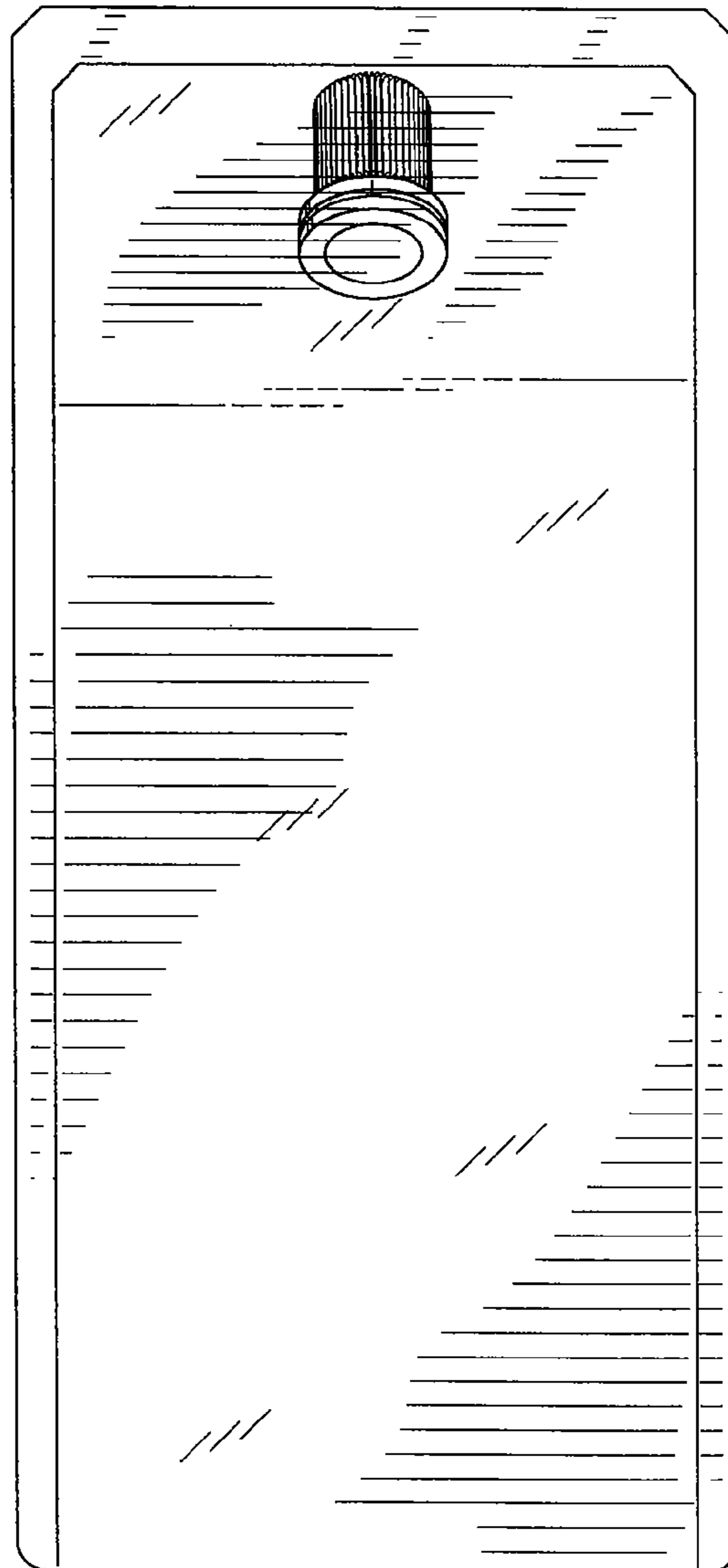


FIG. 10

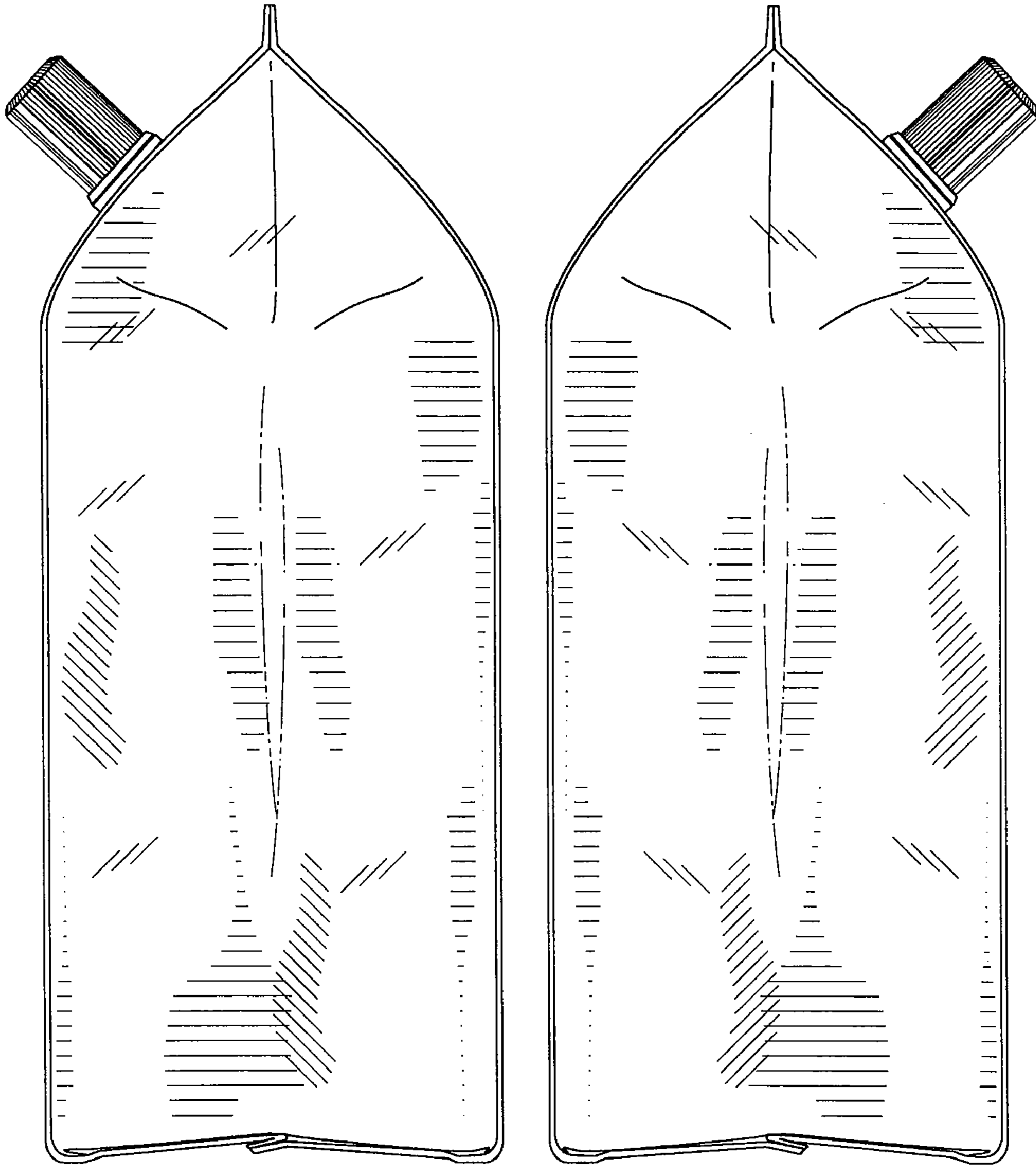


FIG. 11

FIG. 12

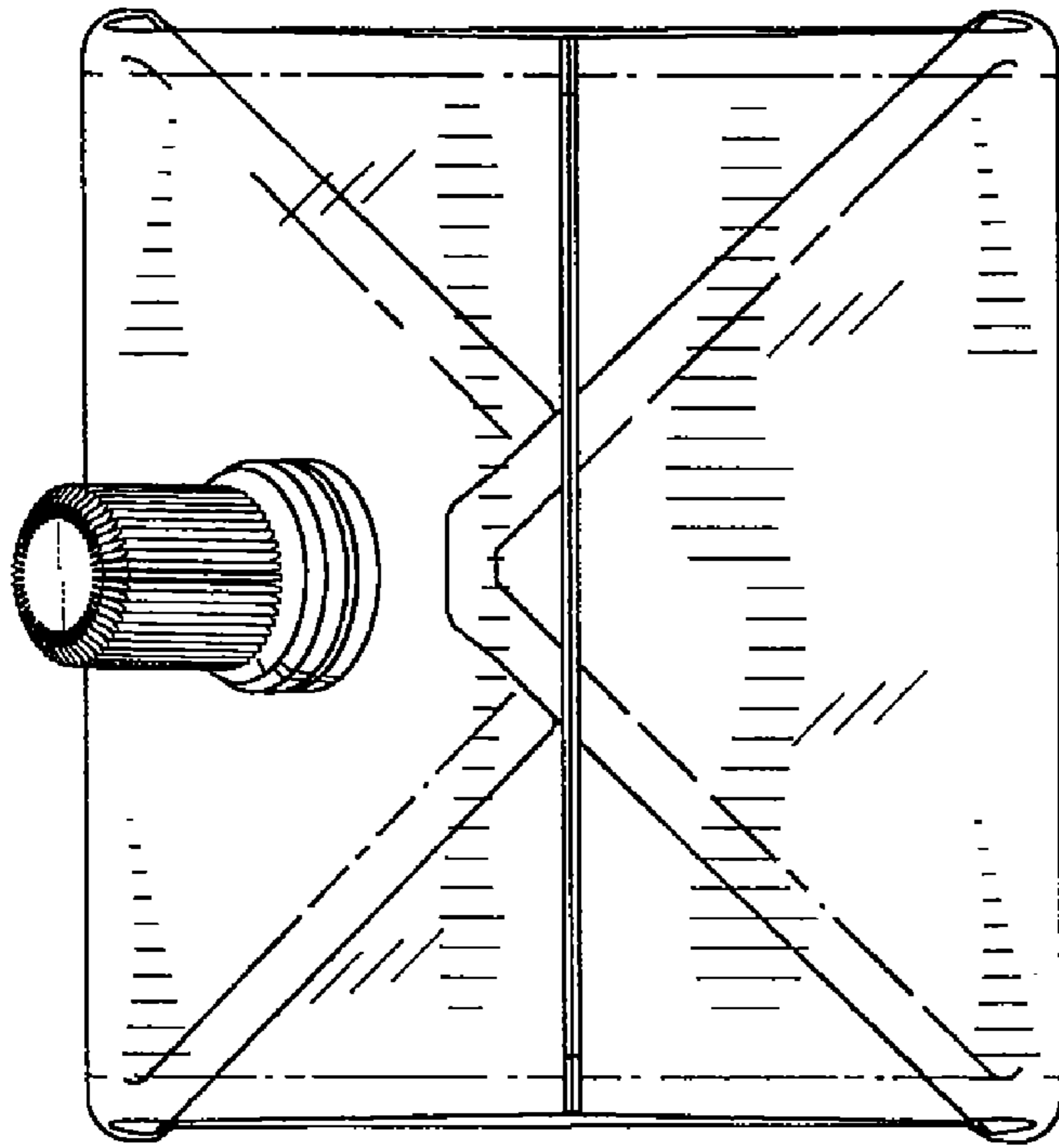


FIG. 13

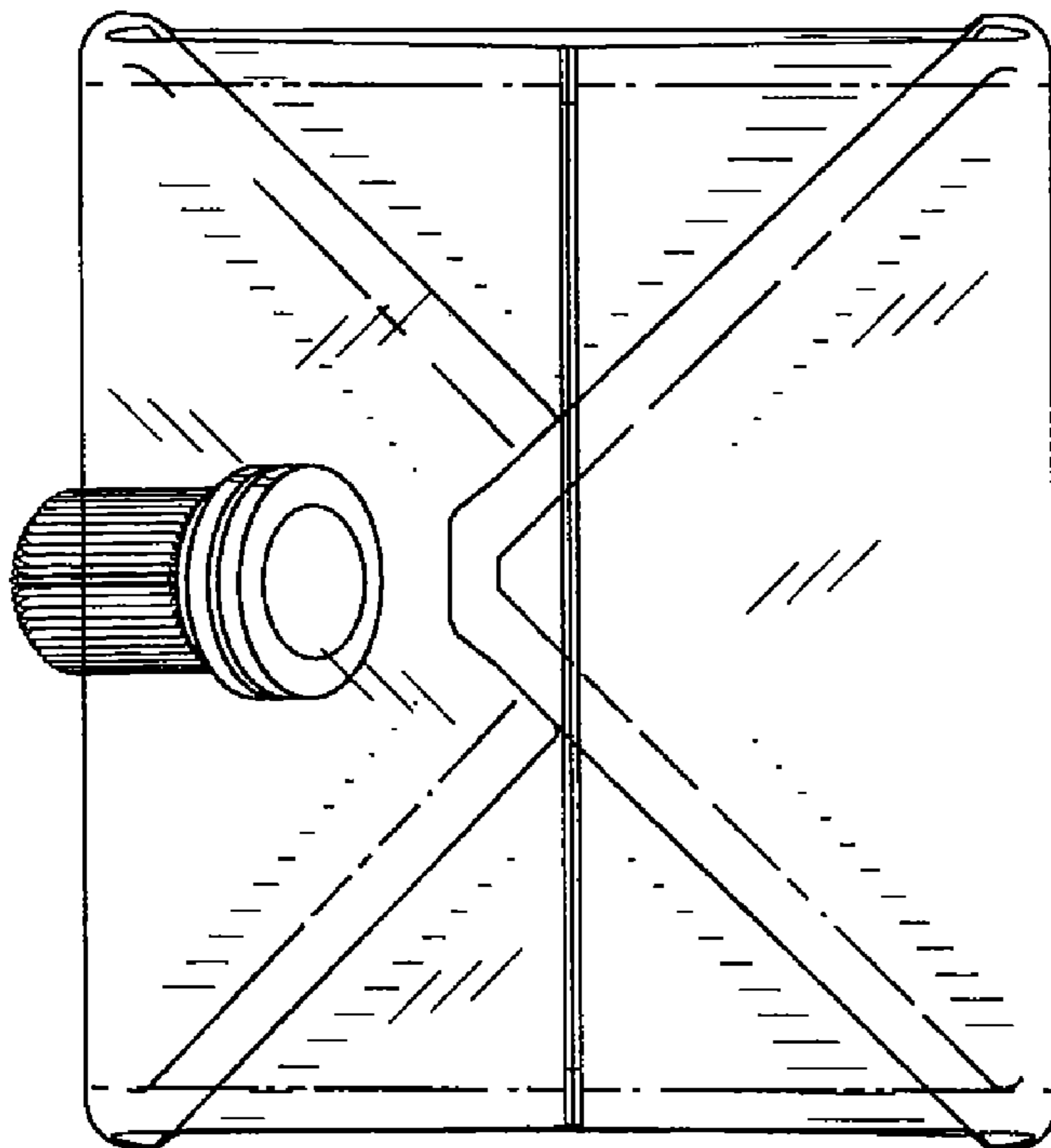


FIG. 14