

US00D593419S

(12) **United States Design Patent**
Crowley

(10) **Patent No.:** **US D593,419 S**
(45) **Date of Patent:** **** Jun. 2, 2009**

(54) **TRUCK SHAPED PACKAGE**

(75) Inventor: **Thomas Crowley**, North Bergen, NJ
(US)

(73) Assignee: **Lotta Luv, LLC**, New York, NY (US)

(**) Term: **14 Years**

(21) Appl. No.: **29/305,438**

(22) Filed: **Mar. 20, 2008**

(51) **LOC (9) Cl.** **09-01**

(52) **U.S. Cl.** **D9/676**

(58) **Field of Classification Search** D3/270-271.1,
D3/271.11-271.12; D7/514-517, 519-520;
D9/600, 672-677, 516, 522-523, 530, 537-543,
D9/572-575; D21/548-551; 206/457, 822;
220/890; 229/116.1-116.3

See application file for complete search history.

(56) **References Cited**

U.S. PATENT DOCUMENTS

1,553,793 A * 9/1925 Rozowsky 206/822
D74,522 S 2/1928 Rozowsky
4,055,250 A * 10/1977 Mayhew 206/457
4,646,959 A 3/1987 Sheffer

D371,959 S 7/1996 Hupp
5,632,375 A * 5/1997 Mattikow 206/457
D381,549 S 7/1997 James
D402,546 S * 12/1998 Massing D9/676
D463,739 S 10/2002 Weinstock

* cited by examiner

Primary Examiner—Sandra Morris

(74) *Attorney, Agent, or Firm*—Baker & Rannells, PA

(57) **CLAIM**

The ornamental design for a truck shaped package, as shown and described.

DESCRIPTION

FIG. 1 is a perspective view of a truck shaped package, showing my new design;

FIG. 2 is a right side elevational view thereof;

FIG. 3 is a left side elevational view thereof;

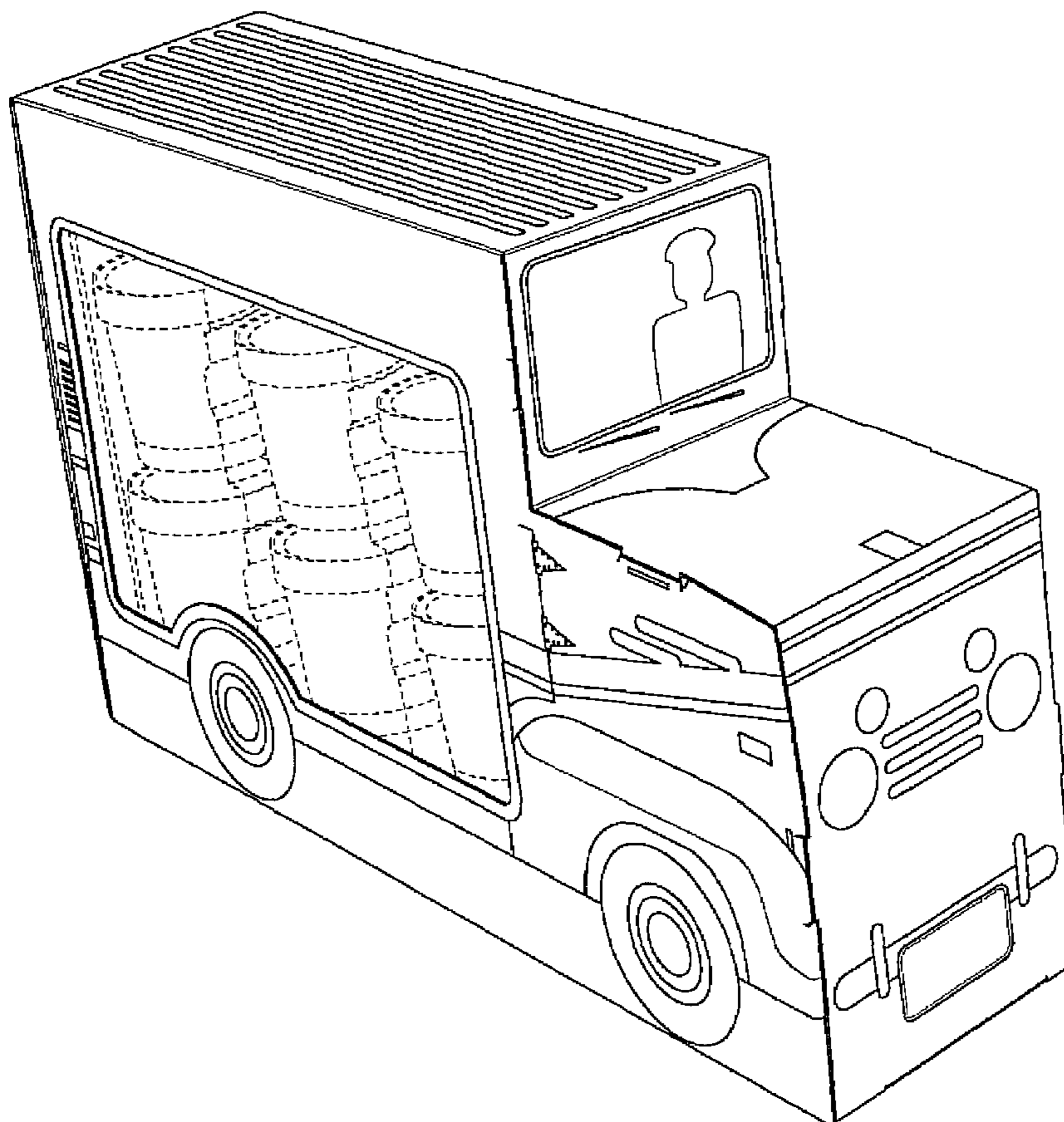
FIG. 4 is a front elevational view thereof;

FIG. 5 is a rear elevational view thereof;

FIG. 6 is a top elevational view thereof; and,

FIG. 7 is a bottom elevational view thereof.

1 Claim, 4 Drawing Sheets



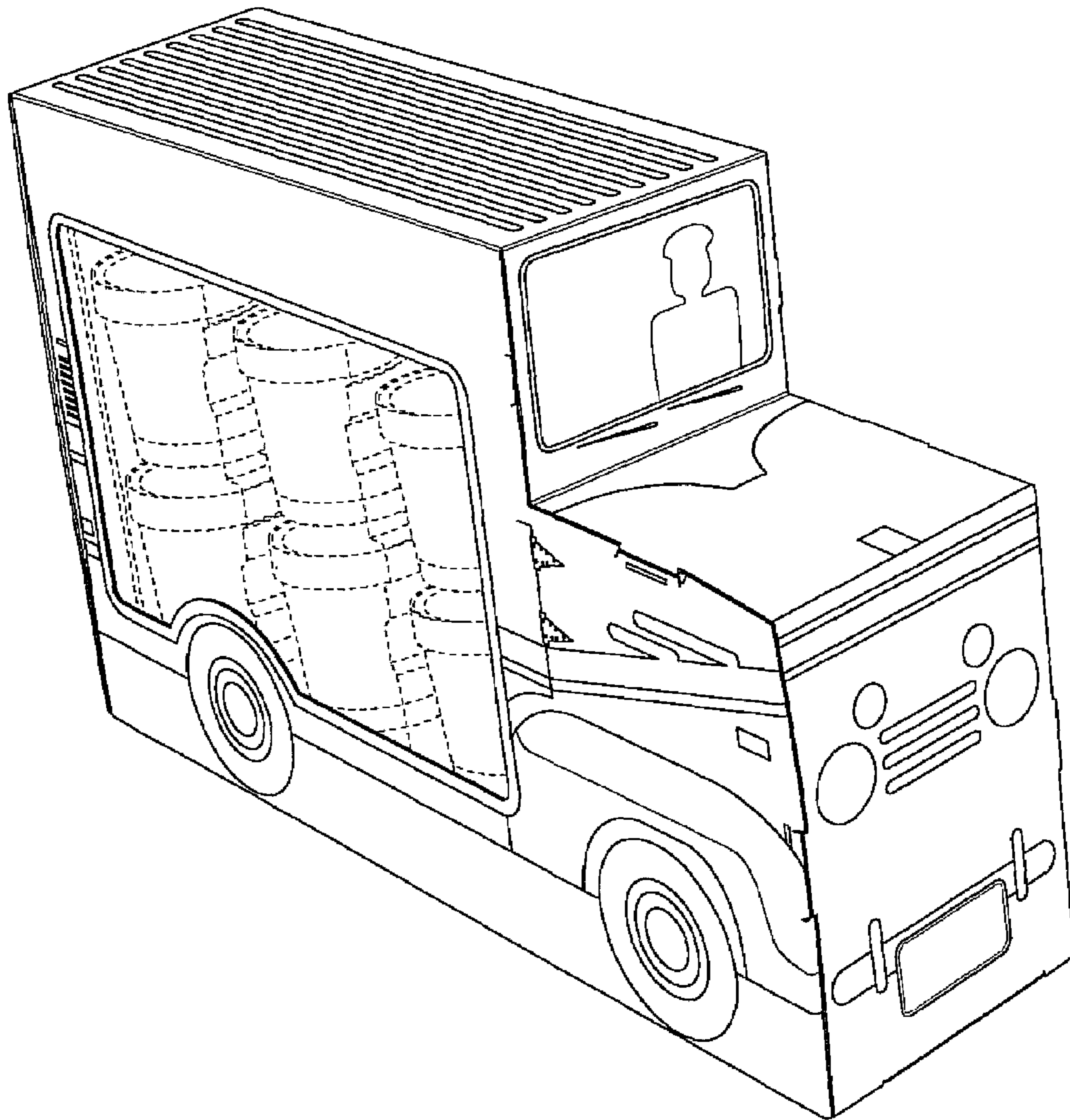


FIG. 1

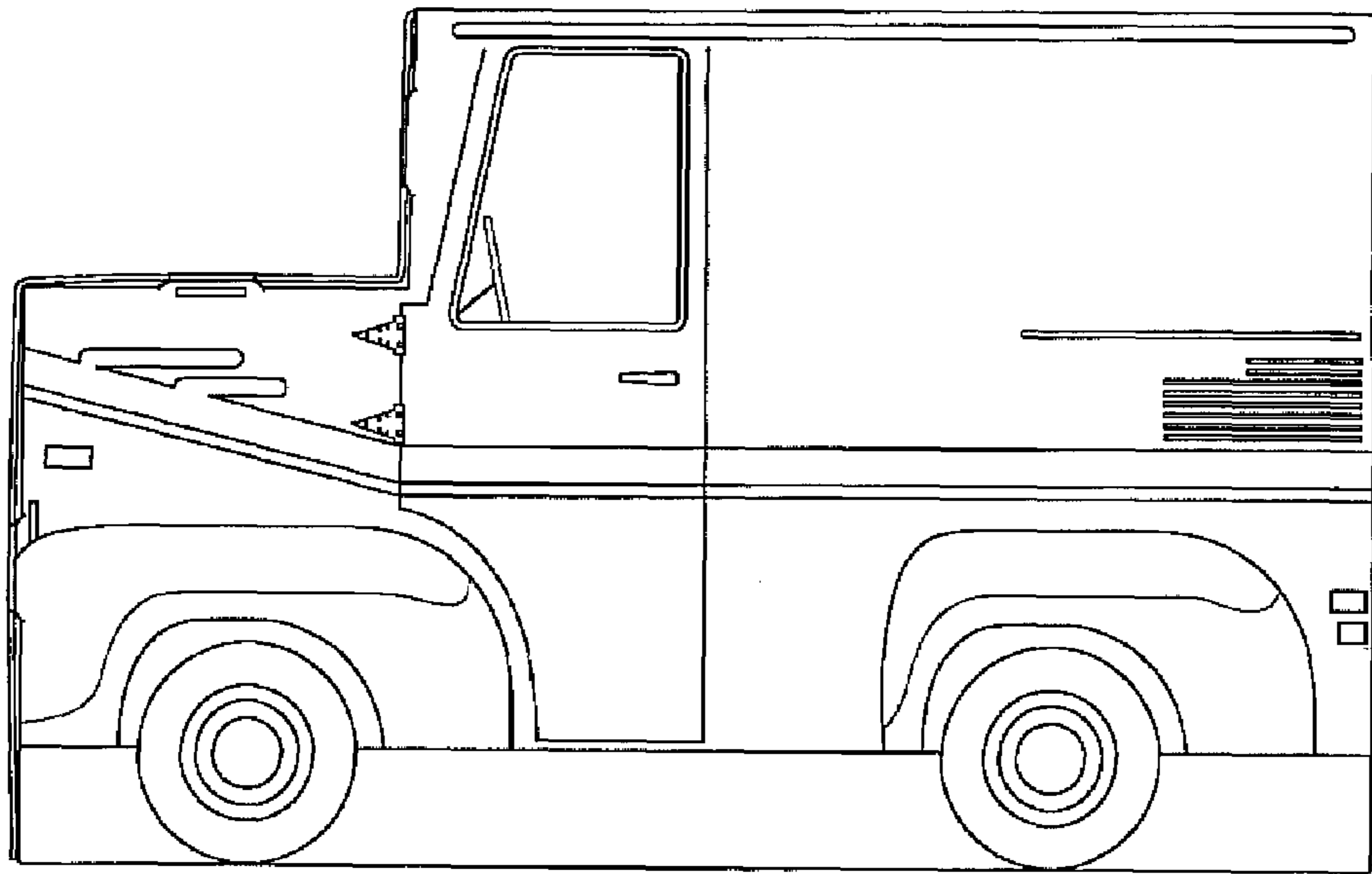


FIG. 2

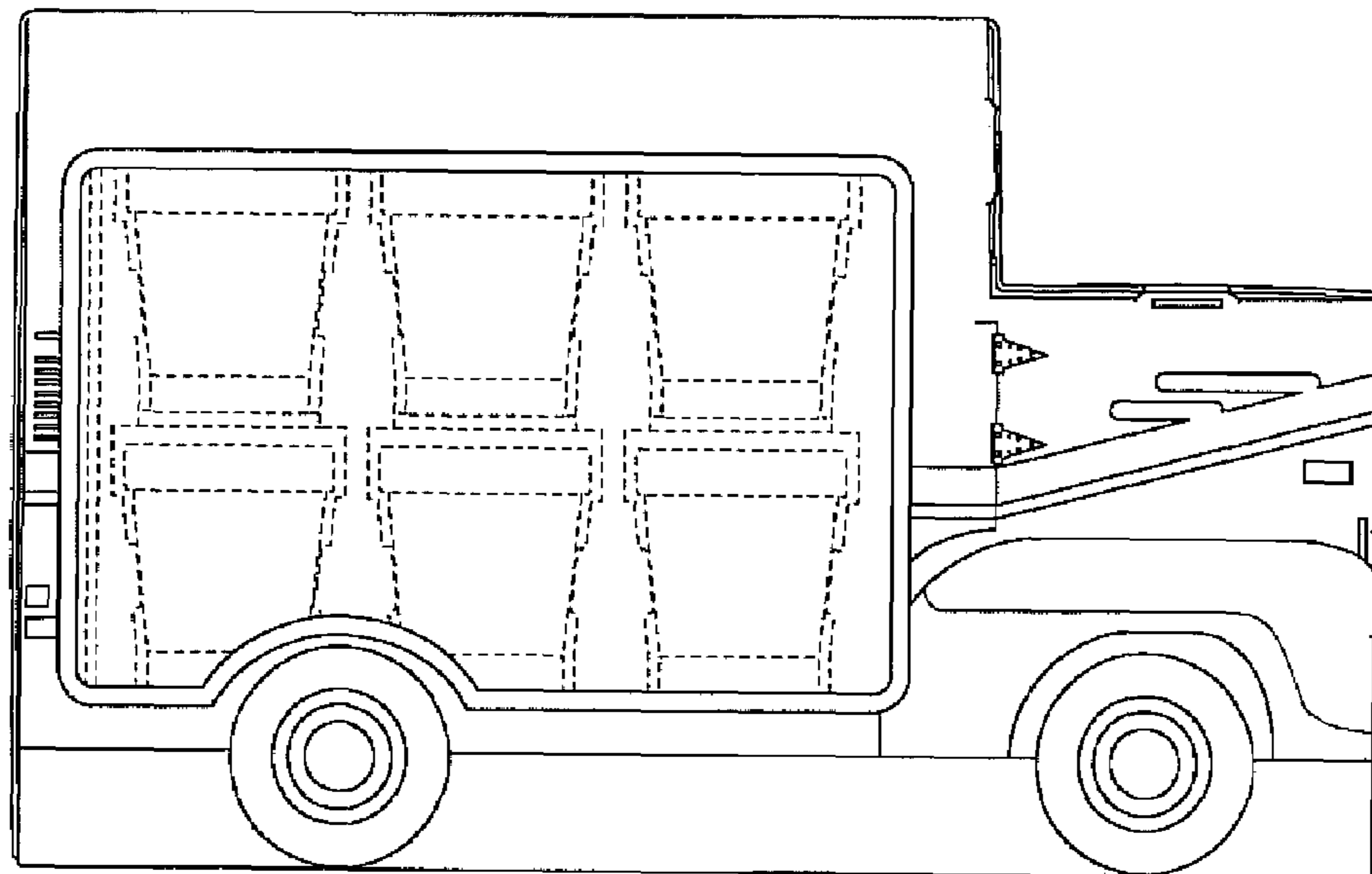


FIG. 3

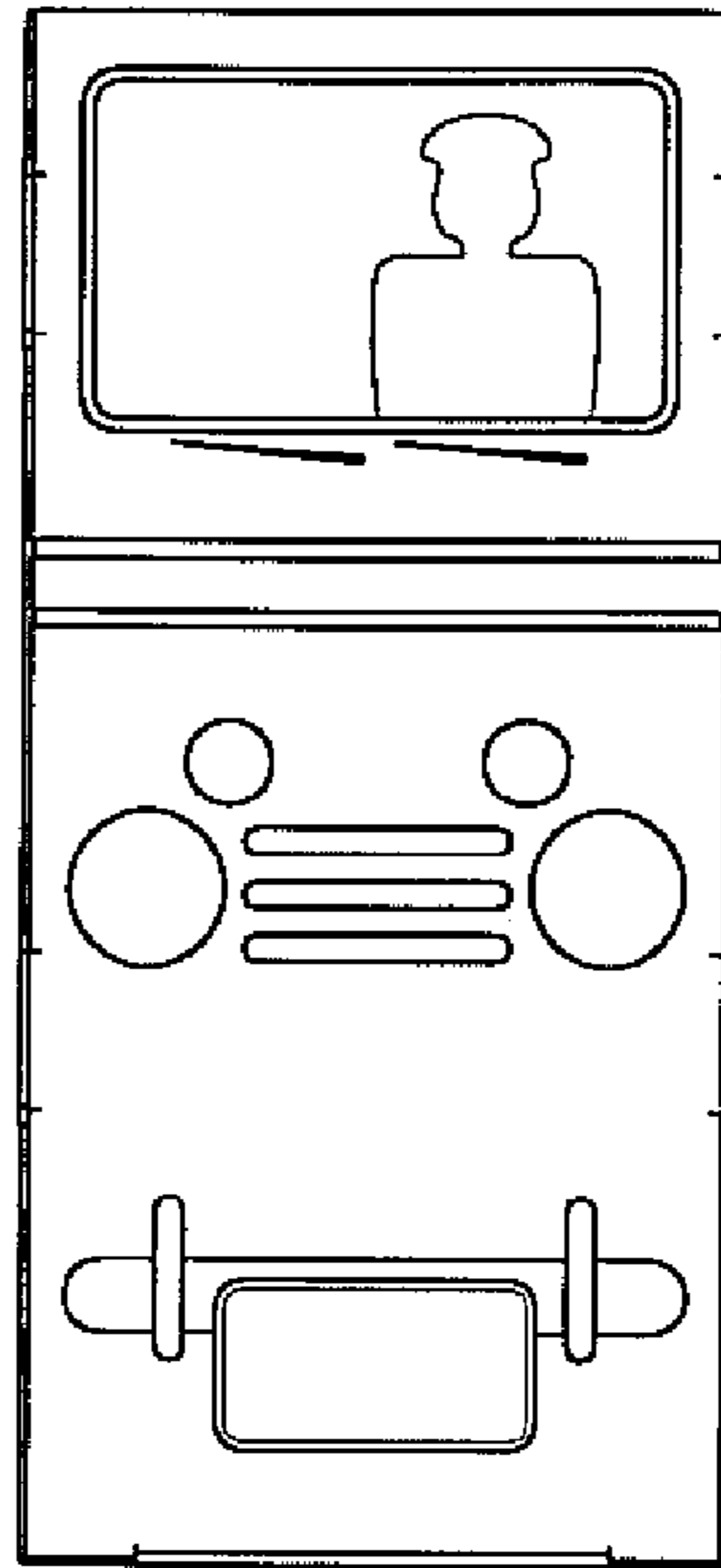


FIG. 4

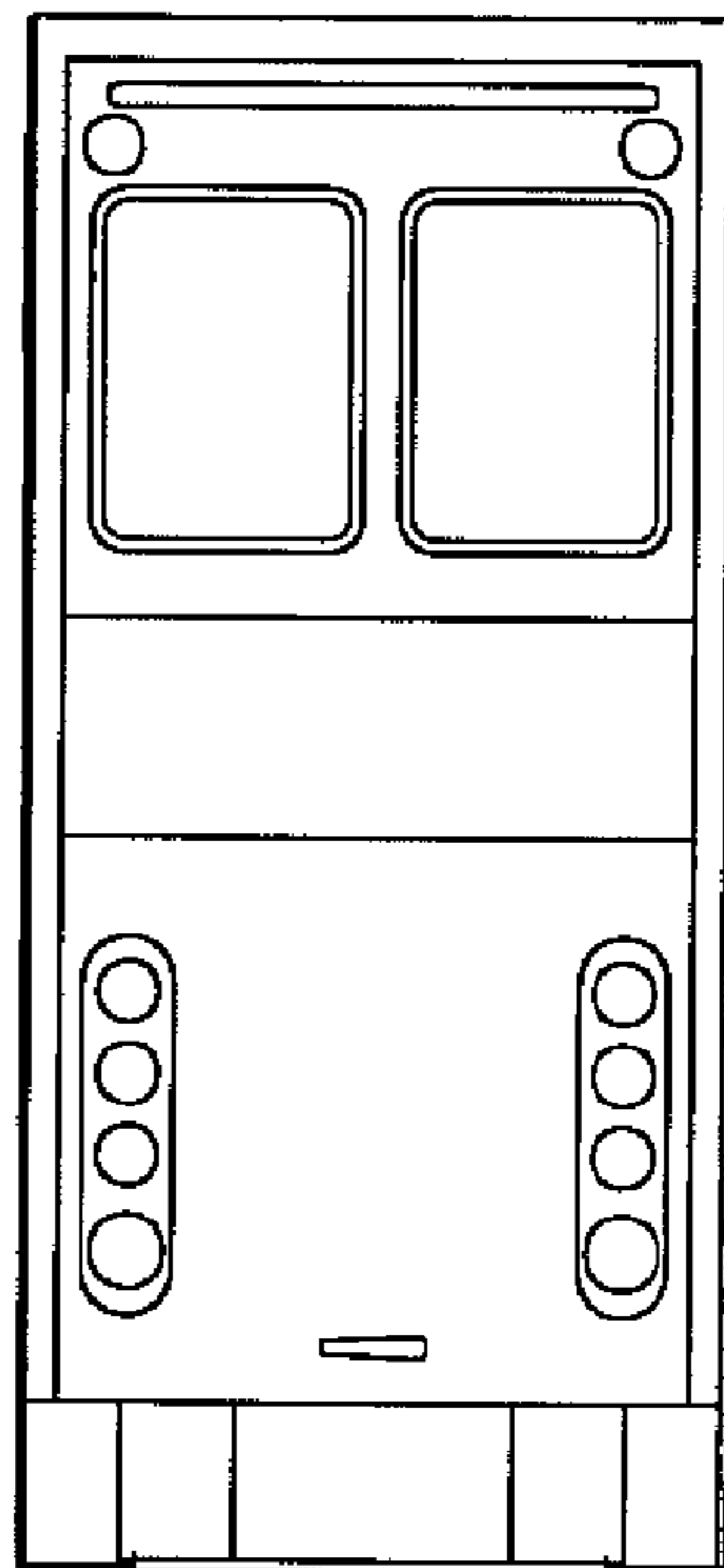


FIG. 5

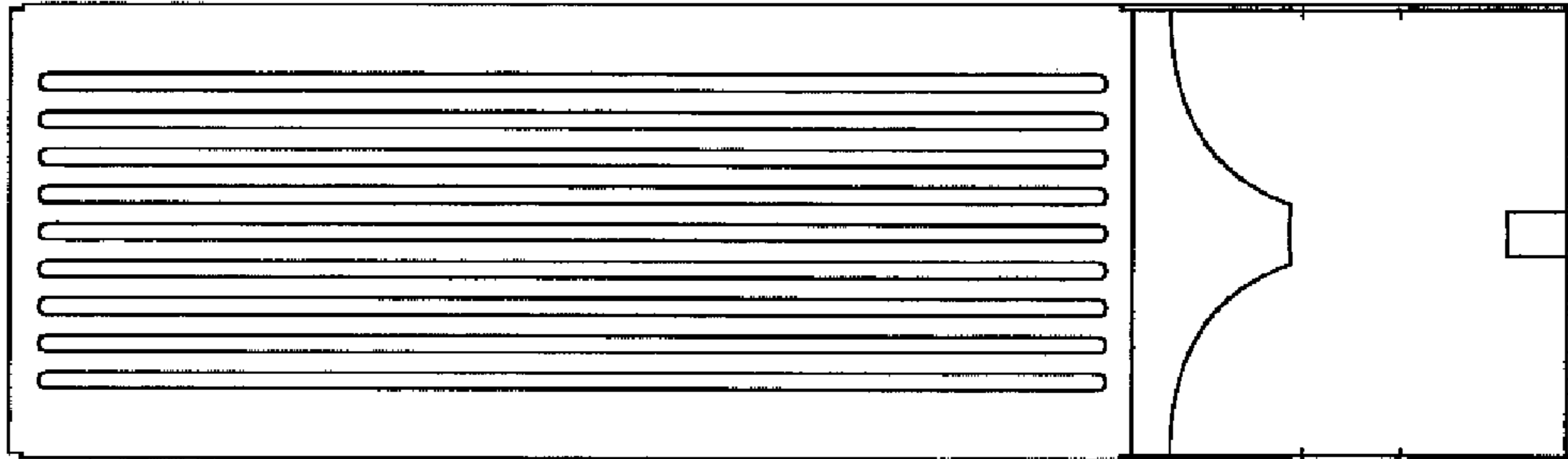


FIG. 6

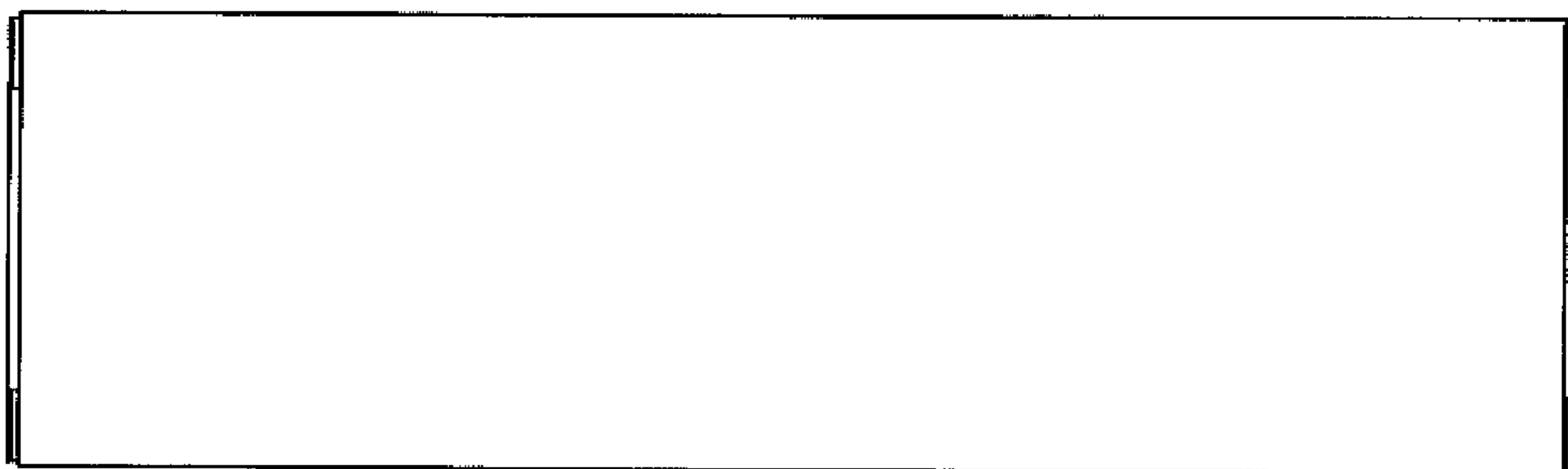


FIG. 7