



US00D593417S

(12) **United States Design Patent**
Miller et al.

(10) **Patent No.:** **US D593,417 S**

(45) **Date of Patent:** **** Jun. 2, 2009**

(54) **PLASTIC CONTAINER**

(75) Inventors: **James J. Miller**, Barberton, OH (US);
Richard A. Lovelace, Jr., Munroe Falls,
OH (US)

(73) Assignee: **Plastipak Packaging, Inc.**, Plymouth,
MI (US)

(**) Term: **14 Years**

(21) Appl. No.: **29/292,259**

(22) Filed: **Oct. 4, 2007**

(51) **LOC (9) Cl.** **09-01**

(52) **U.S. Cl.** **D9/541; D9/542; D9/560**

(58) **Field of Classification Search** D9/516,
D9/528, 530, 531, 534, 537-539, 541-543,
D9/549, 551-560, 563, 564, 566-571; 215/12.1-12.2,
215/13.1, 381-385, 396-398
See application file for complete search history.

(56) **References Cited**

U.S. PATENT DOCUMENTS

D452,444 S *	12/2001	Iizuka et al.	D9/520
D459,234 S *	6/2002	Bourque et al.	D9/543
D528,421 S *	9/2006	Sasaki et al.	D9/516
D529,385 S *	10/2006	Gamber et al.	D9/516
D561,038 S *	2/2008	Yourist et al.	D9/541
D564,890 S *	3/2008	Coley et al.	D9/541
D568,167 S *	5/2008	Sasaki et al.	D9/560
D582,284 S *	12/2008	Ogg	D9/530
2006/0091102 A1 *	5/2006	Bourque et al.	215/382

* cited by examiner

Primary Examiner—Stella M Reid

Assistant Examiner—Keli L Hill

(74) *Attorney, Agent, or Firm*—Dykema Gossett PLLC

(57) **CLAIM**

The ornamental design for a plastic container, as shown and described.

DESCRIPTION

FIG. 1 is a perspective view of the plastic container of the present invention showing the top, front and right side;

FIG. 2 is a left side elevation view thereof;

FIG. 3 is a right side elevation view thereof;

FIG. 4 is a front elevation view thereof;

FIG. 5 is a rear elevation view thereof;

FIG. 6 is a top plan view thereof;

FIG. 7 is a bottom plan view thereof;

FIG. 8 is a perspective view of a second embodiment of the plastic container of the present invention showing the top, front and right side;

FIG. 9 is a left side elevation view thereof;

FIG. 10 is a right side elevation view thereof;

FIG. 11 is a front elevation view thereof;

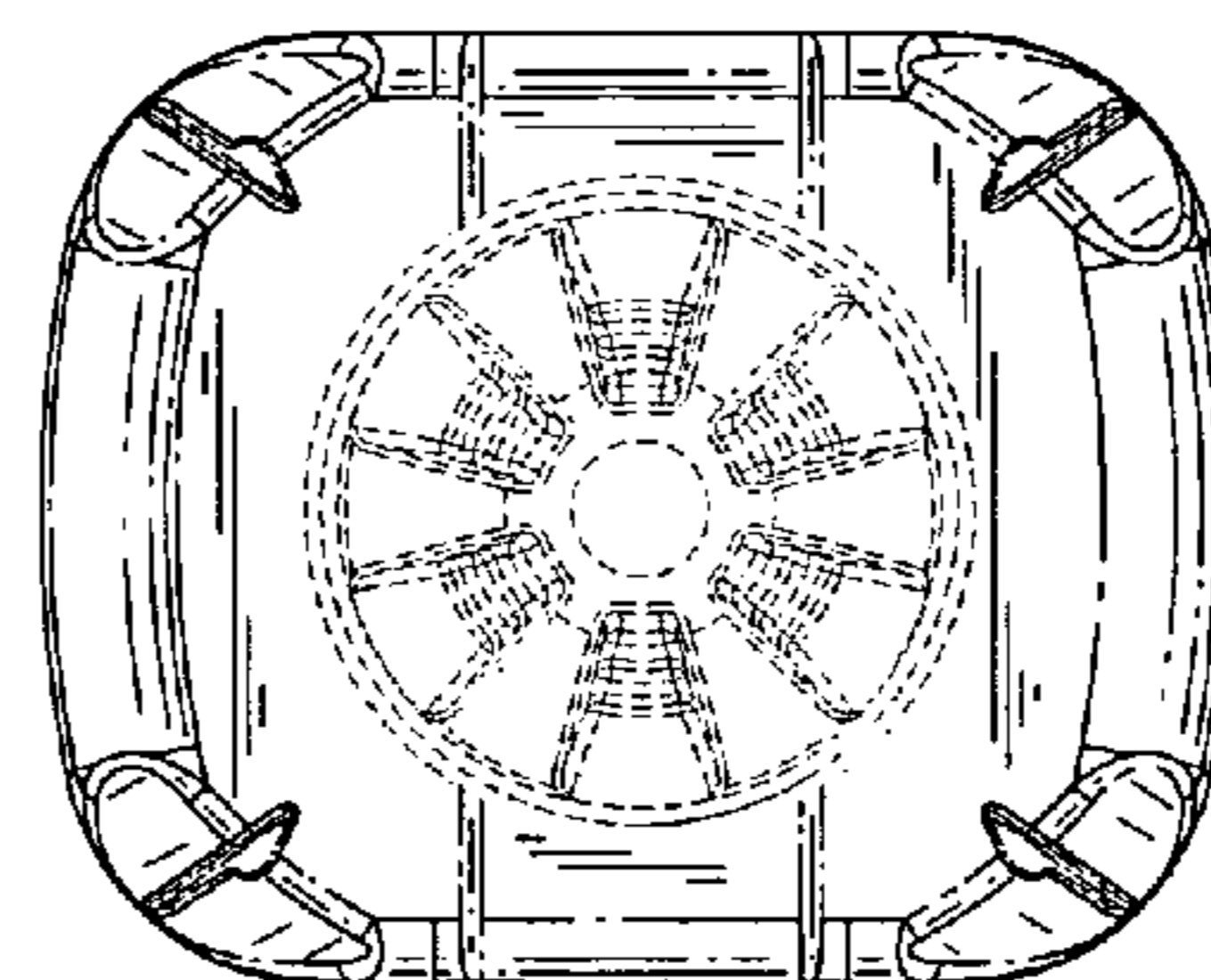
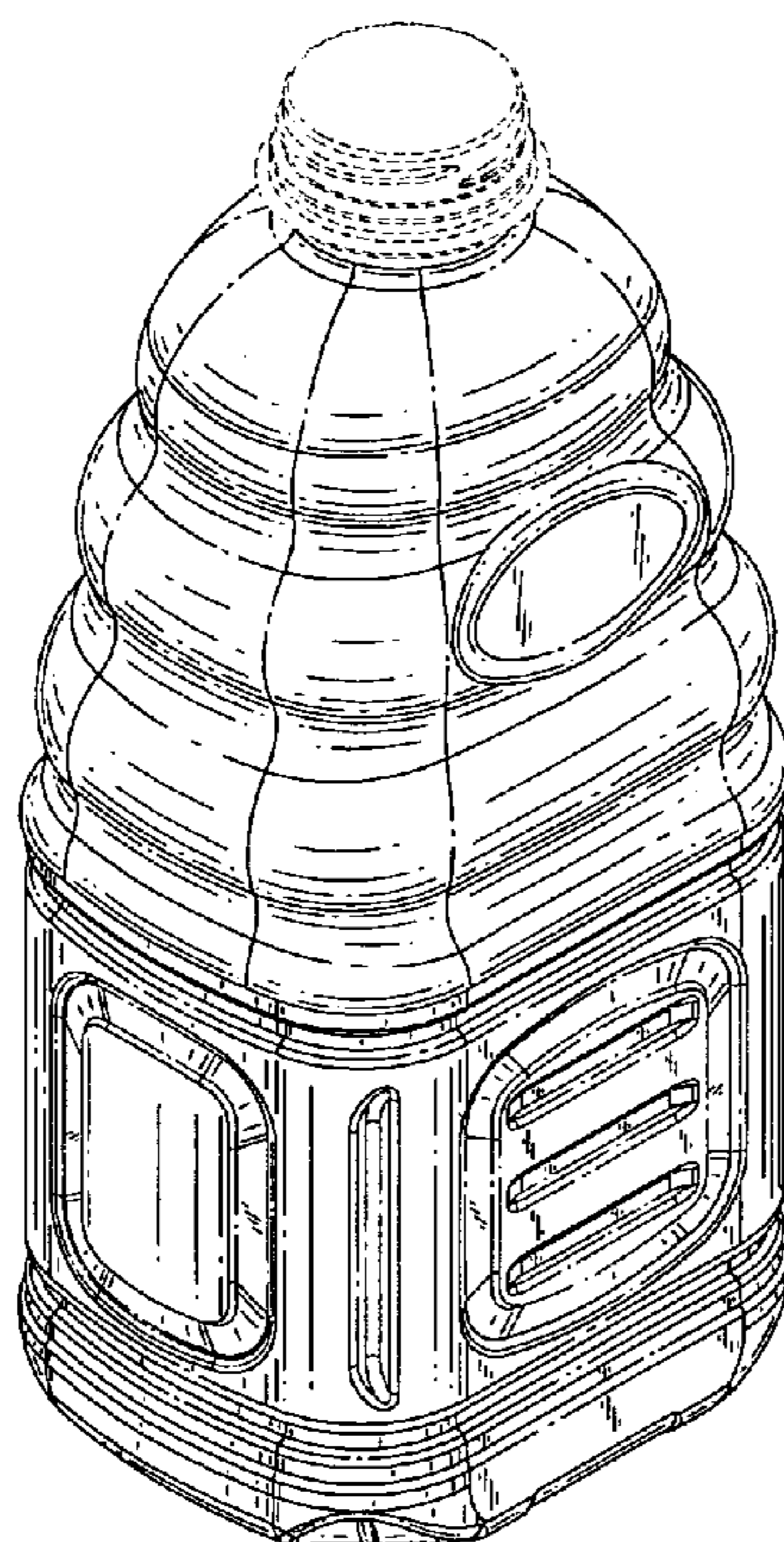
FIG. 12 is a rear elevation view thereof;

FIG. 13 is a top plan view thereof; and,

FIG. 14 is a bottom plan view thereof.

The broken lines shown in the drawings are for illustrative purposes only and form no part of the claimed design.

1 Claim, 4 Drawing Sheets



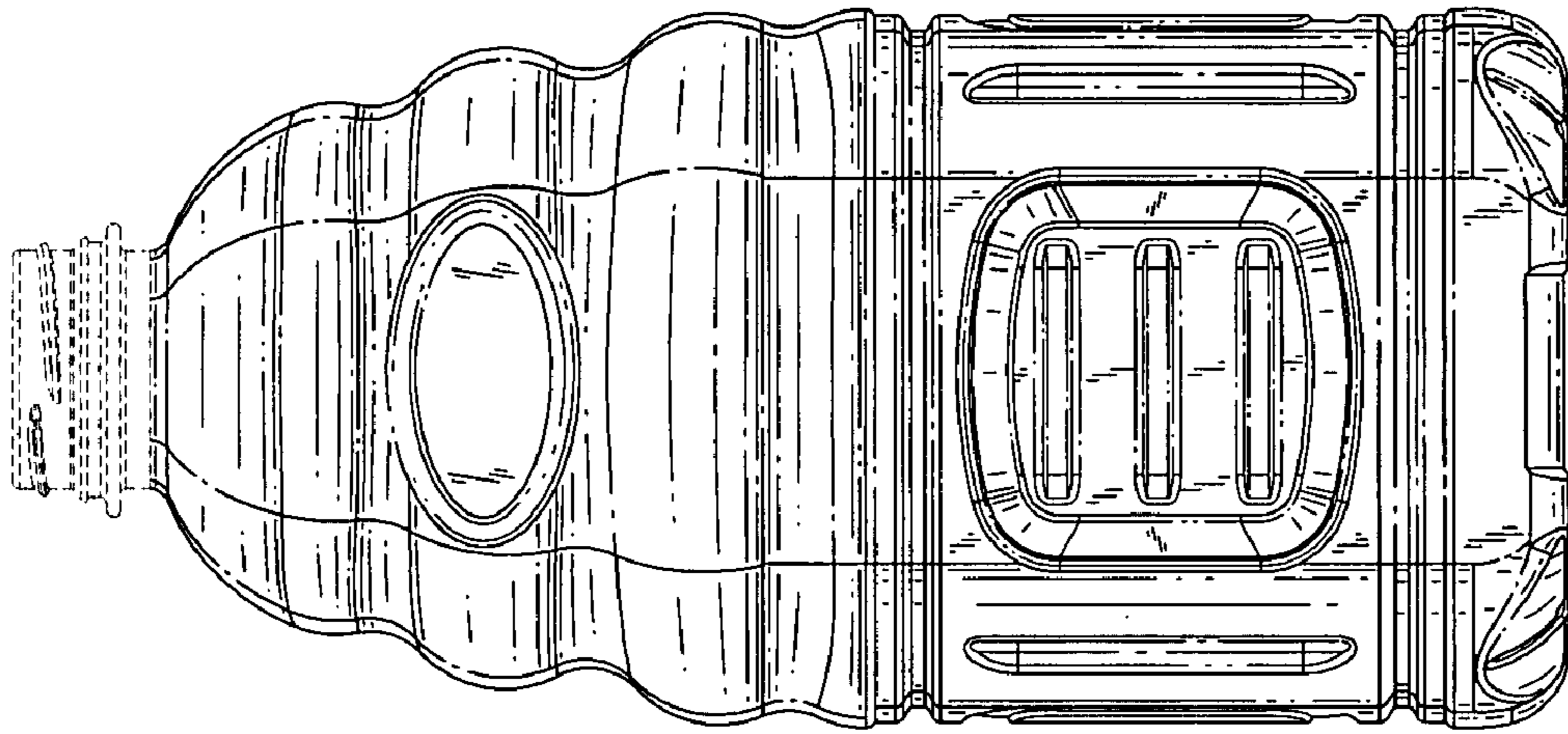


FIG. 3

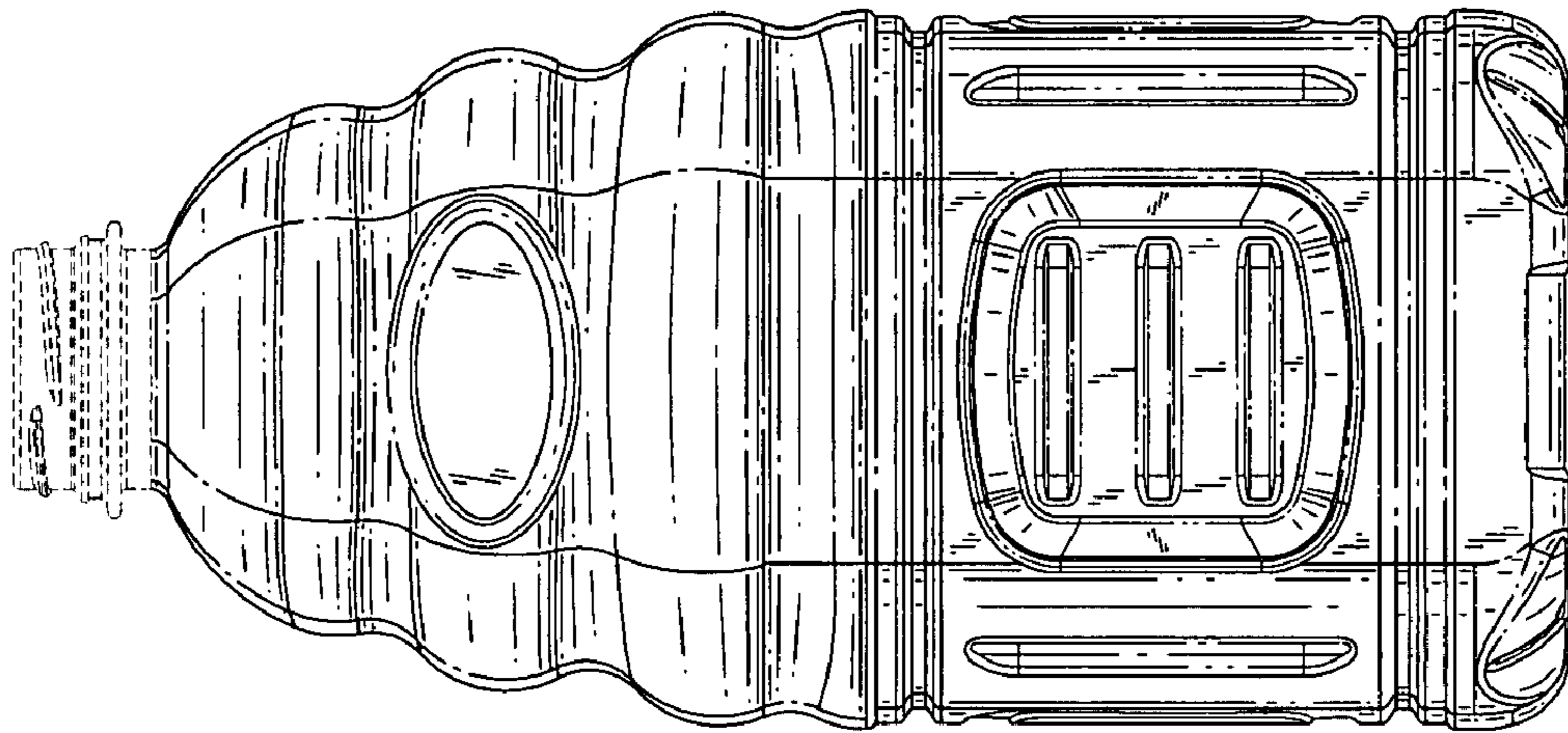


FIG. 2

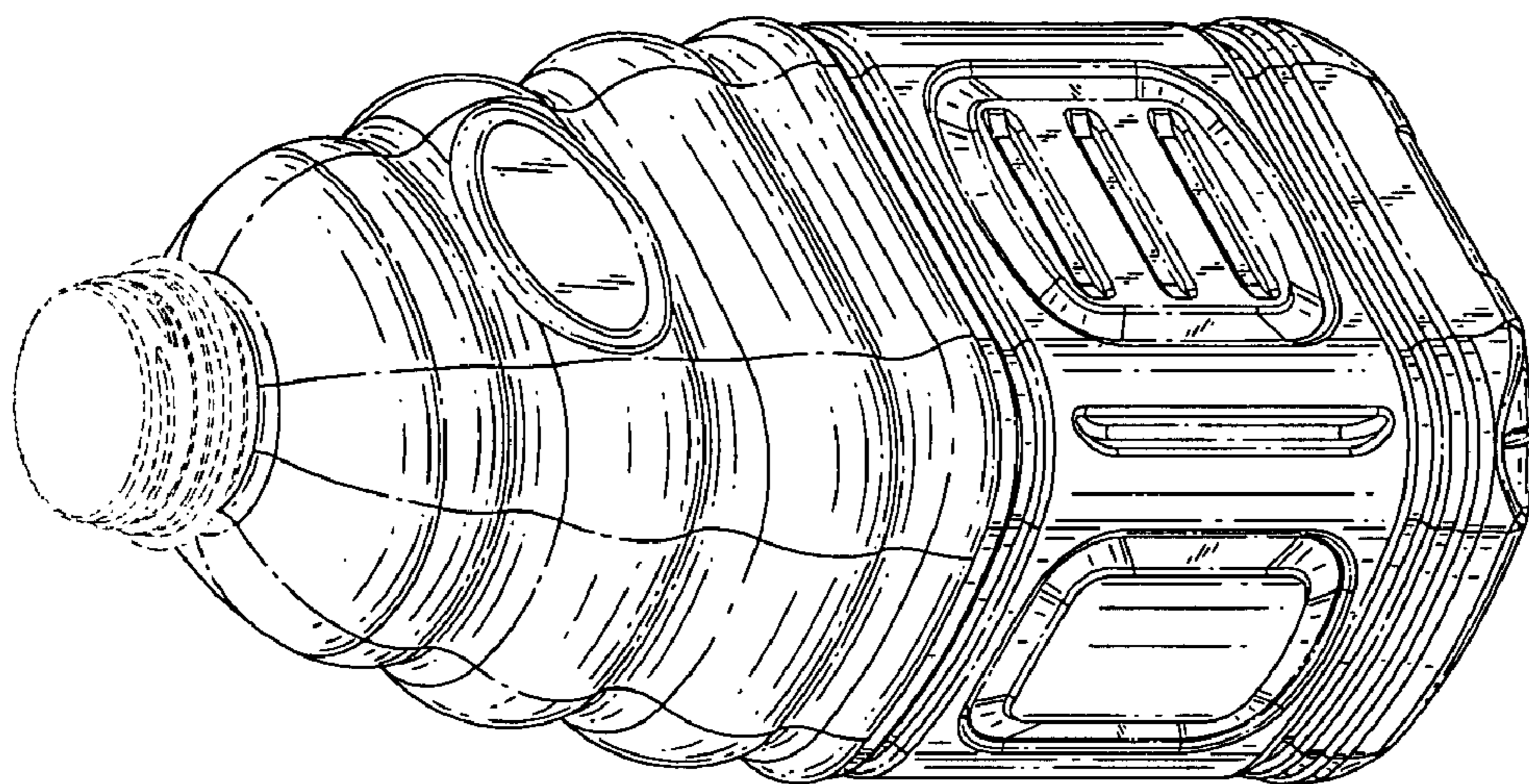


FIG. 1

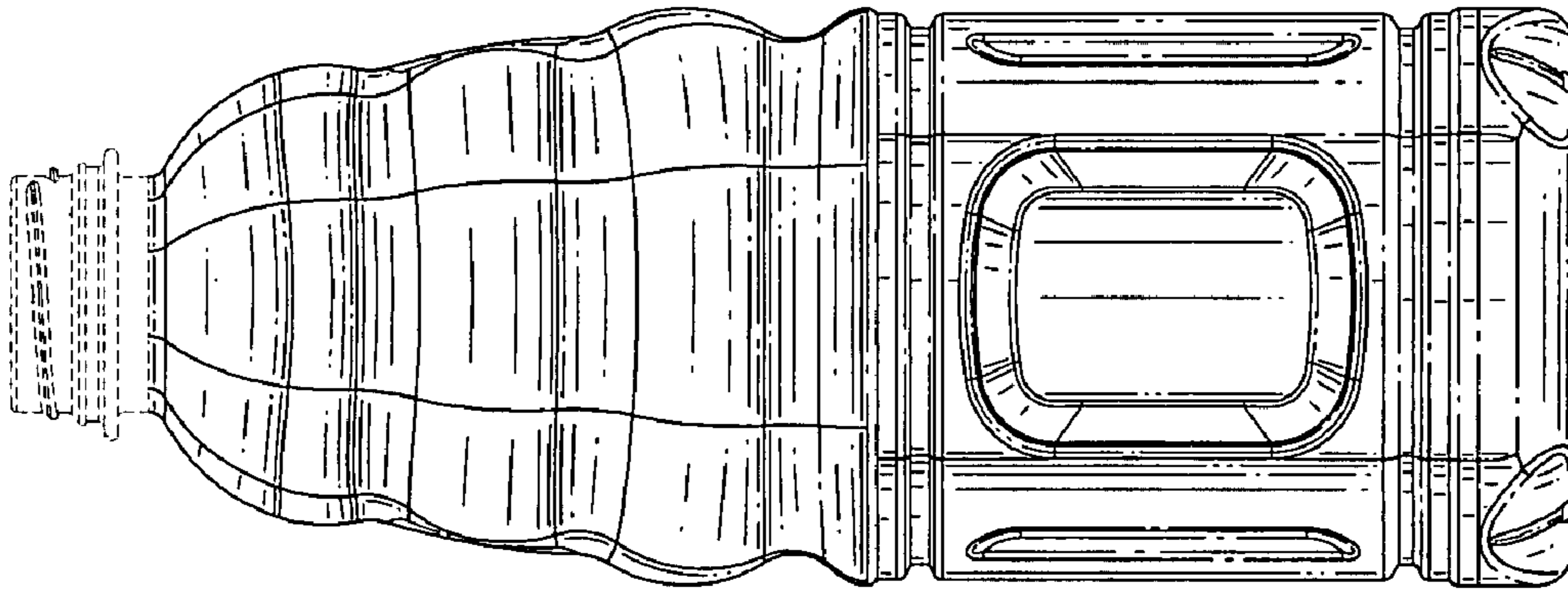


FIG. 4

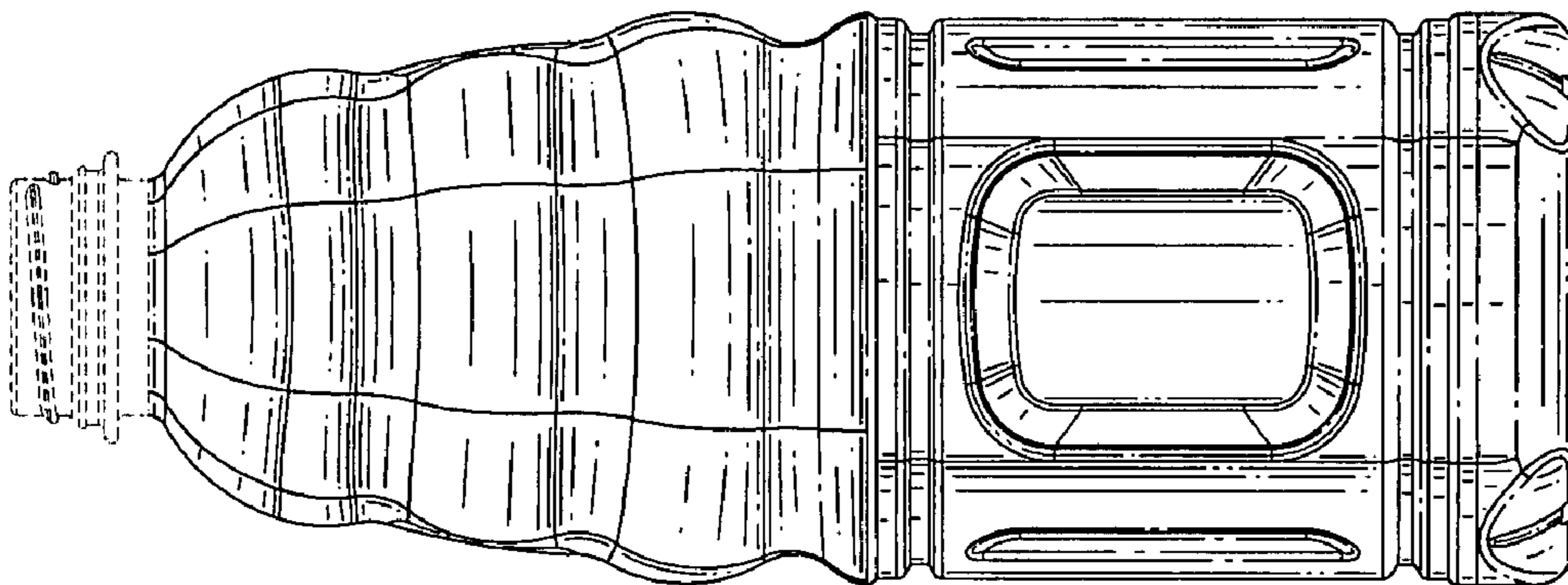


FIG. 5

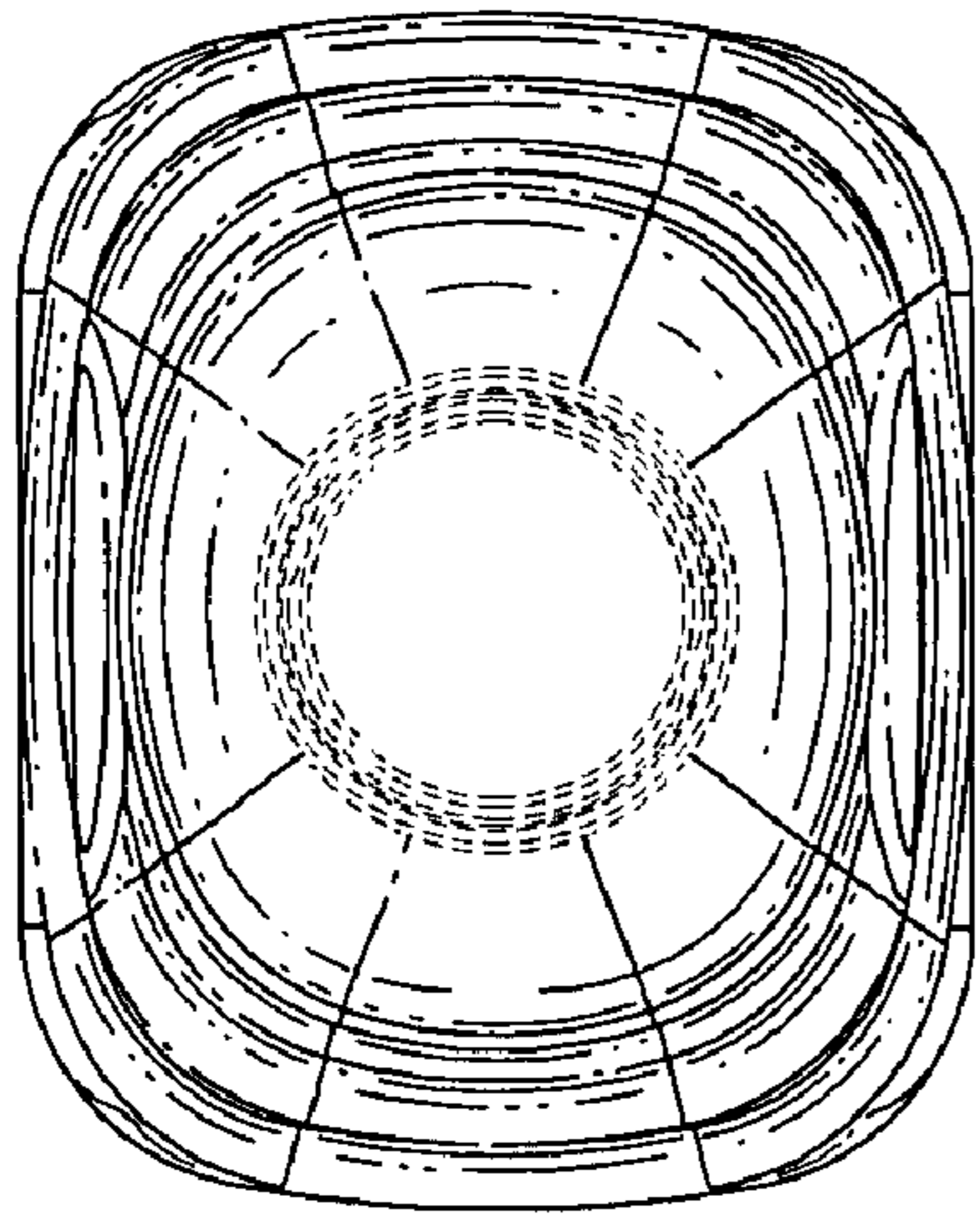


FIG. 6

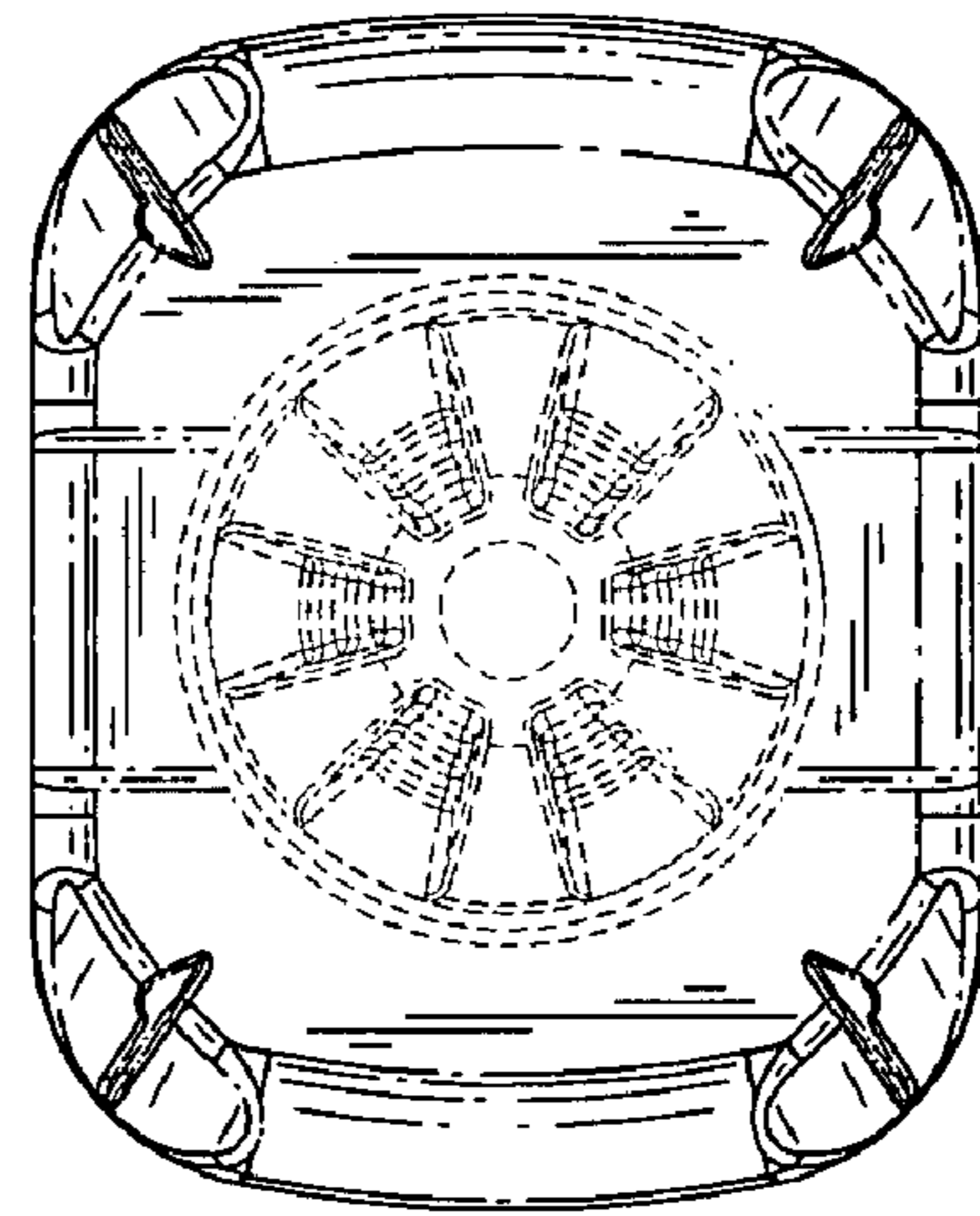


FIG. 7

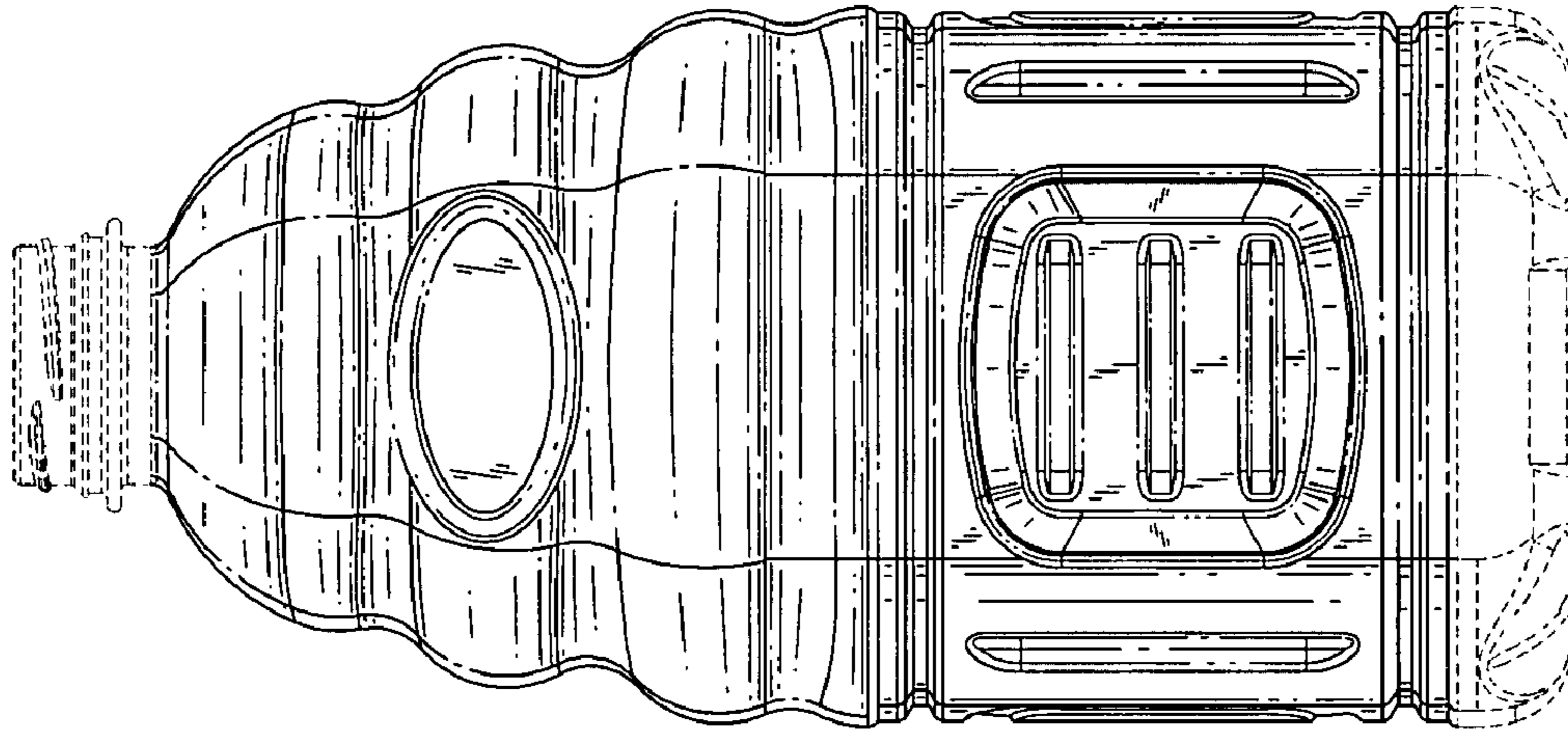


FIG. 10

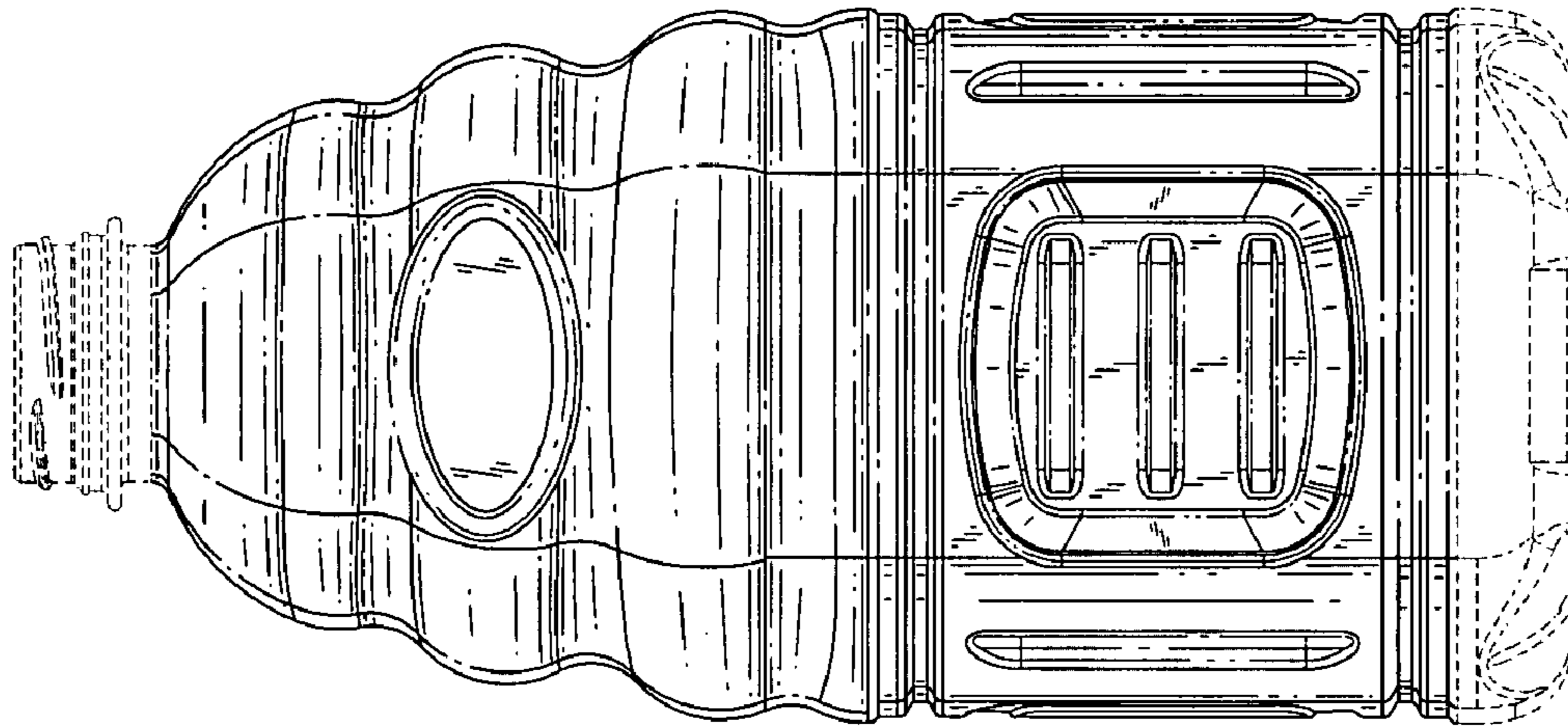


FIG. 9

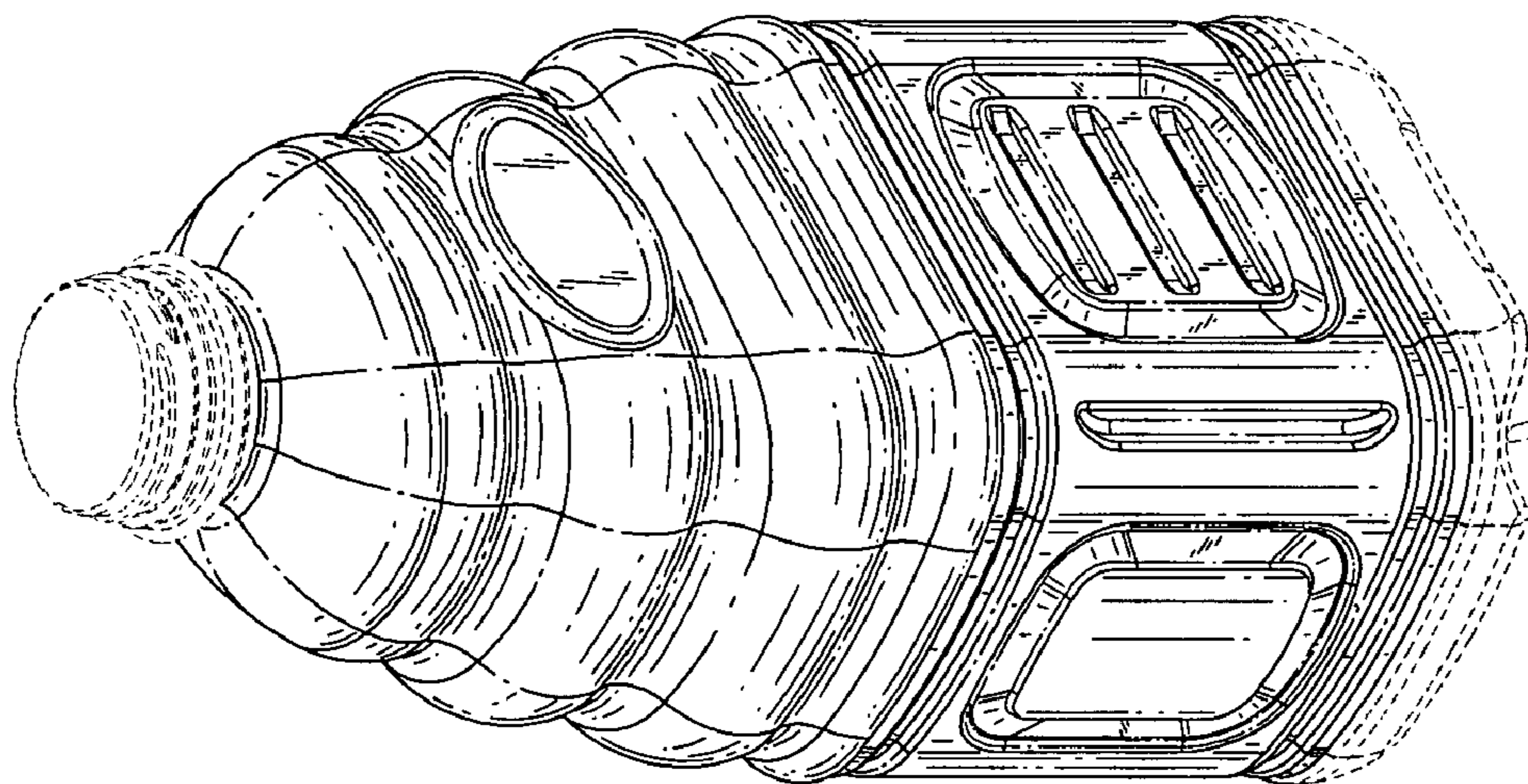


FIG. 8

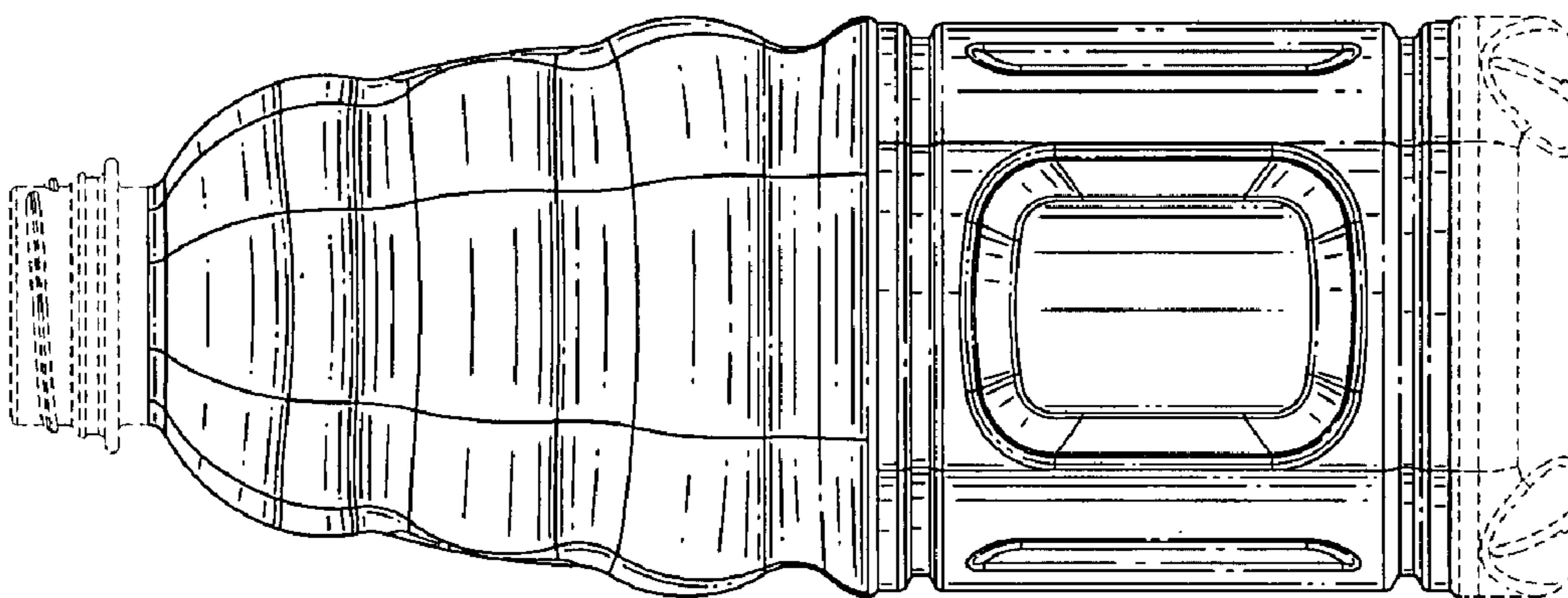


FIG. 11

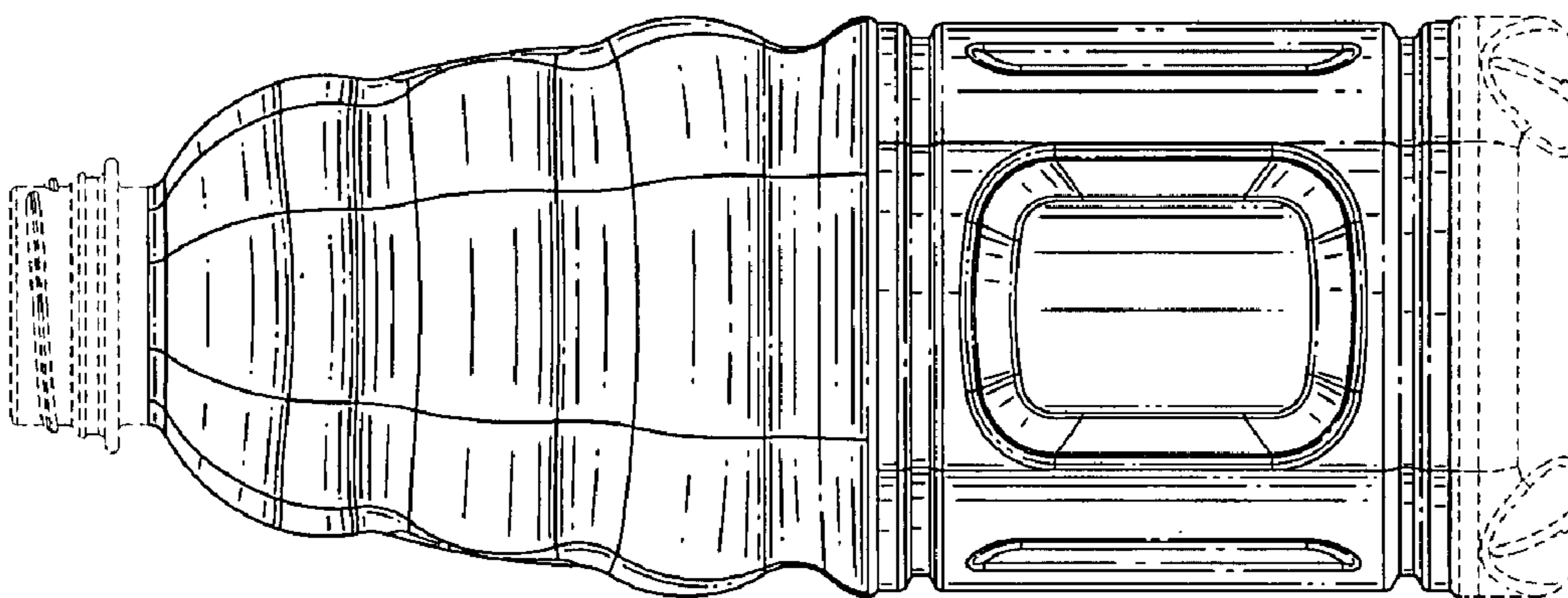


FIG. 12

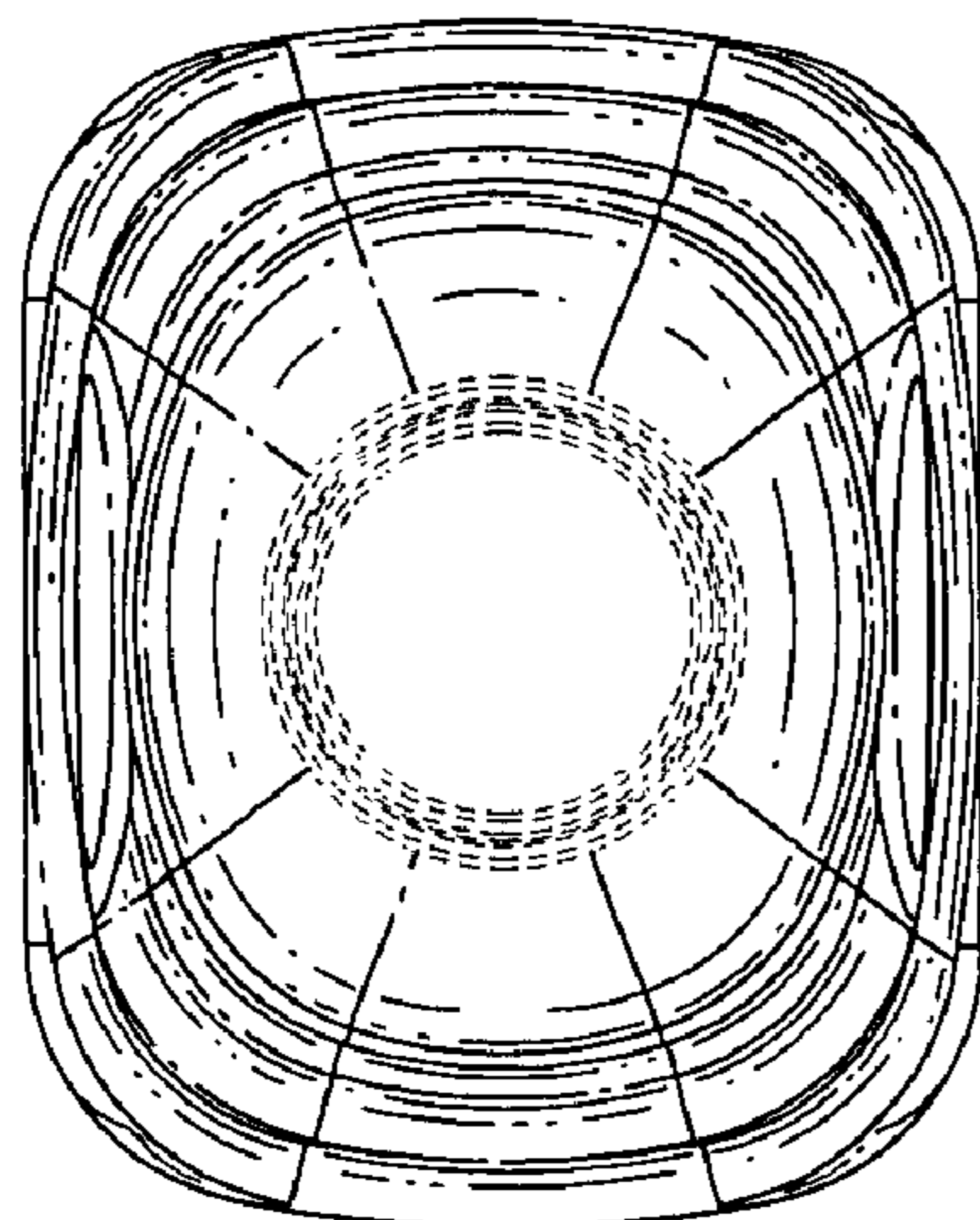


FIG. 13

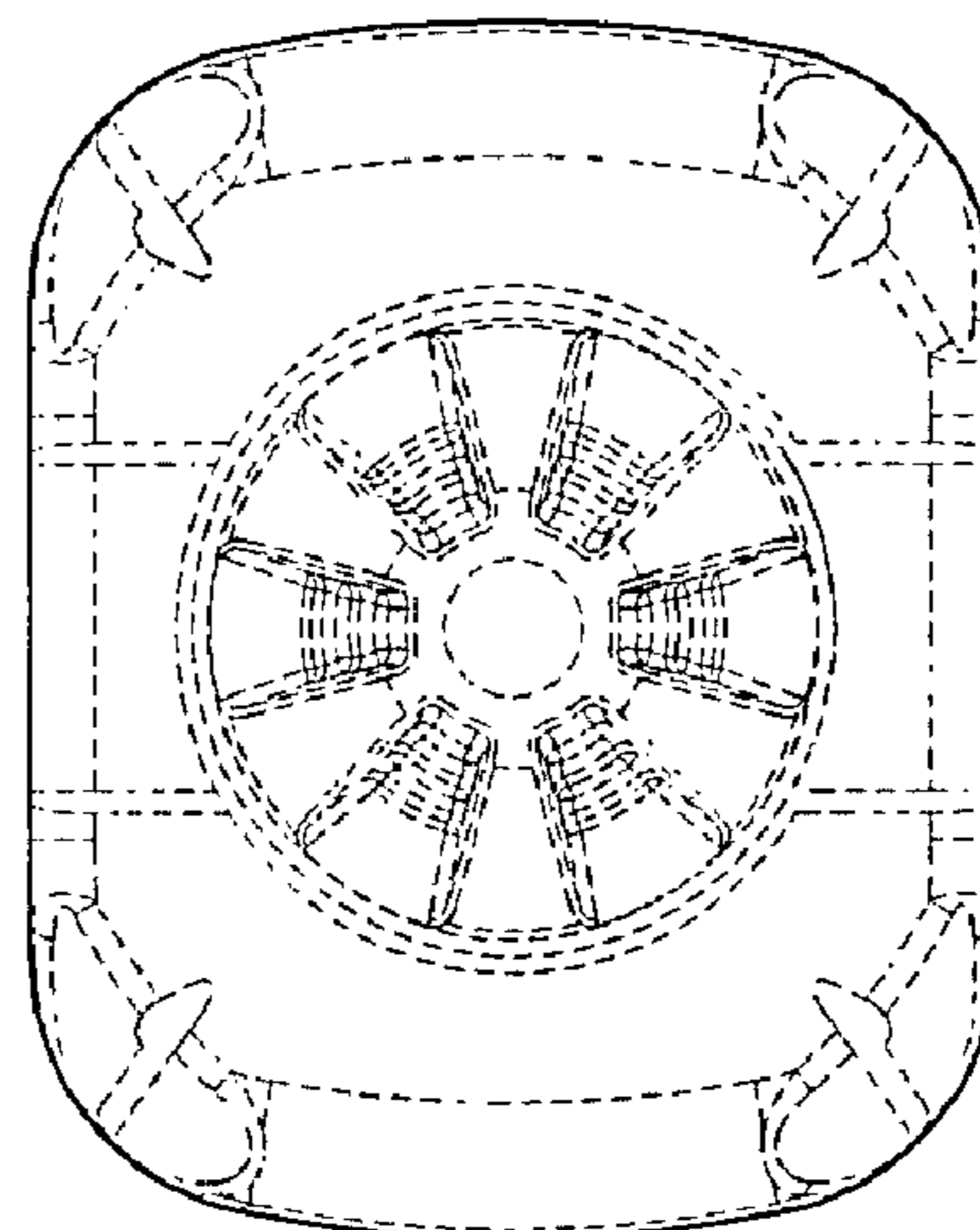


FIG. 14