



US00D593416S

(12) **United States Design Patent**
Medema

(10) **Patent No.:** **US D593,416 S**

(45) **Date of Patent:** **** Jun. 2, 2009**

(54) **BOTTLE**

(75) Inventor: **Douglas J. Medema**, Belding, MI (US)

(73) Assignee: **BISSELL Homecare, Inc.**, Grand Rapids, MI (US)

(**) Term: **14 Years**

(21) Appl. No.: **29/283,728**

(22) Filed: **Aug. 22, 2007**

(51) **LOC (9) Cl.** **09-01**

(52) **U.S. Cl.** **D9/523; D9/543**

(58) **Field of Classification Search** D9/516,
D9/520, 541-543, 530, 535-536, 538, 539,
D9/546, 552, 554, 560, 565, 569-570, 574-575,
D9/8; 215/12.1-12.2, 13.1, 381-385, 396,
215/398; 222/382

See application file for complete search history.

(56) **References Cited**

U.S. PATENT DOCUMENTS

D385,794 S *	11/1997	Goettner et al.	D9/523
5,875,940 A *	3/1999	Mayfield	222/382
D420,918 S *	2/2000	Hefter et al.	D9/523
D427,078 S *	6/2000	Schaaf et al.	D9/543
D434,665 S *	12/2000	Wetherell et al.	D9/523
D444,708 S *	7/2001	Cummings	D9/523

D468,208 S	1/2003	Yan et al.	
D495,257 S *	8/2004	Crawford et al.	D9/523
D501,796 S *	2/2005	Crawford et al.	D9/523
D552,474 S	10/2007	Carr et al.	
D556,583 S *	12/2007	Gurst et al.	D9/523

* cited by examiner

Primary Examiner—Nanda Bondade

(74) *Attorney, Agent, or Firm*—McGarry Bair PC

(57) **CLAIM**

The ornamental design for a bottle, as shown and described.

DESCRIPTION

FIG. 1 is a right front perspective view of the bottle which embodies my design;

FIG. 2 is a right rear perspective view thereof;

FIG. 3 is a front view thereof;

FIG. 4 is a rear view thereof;

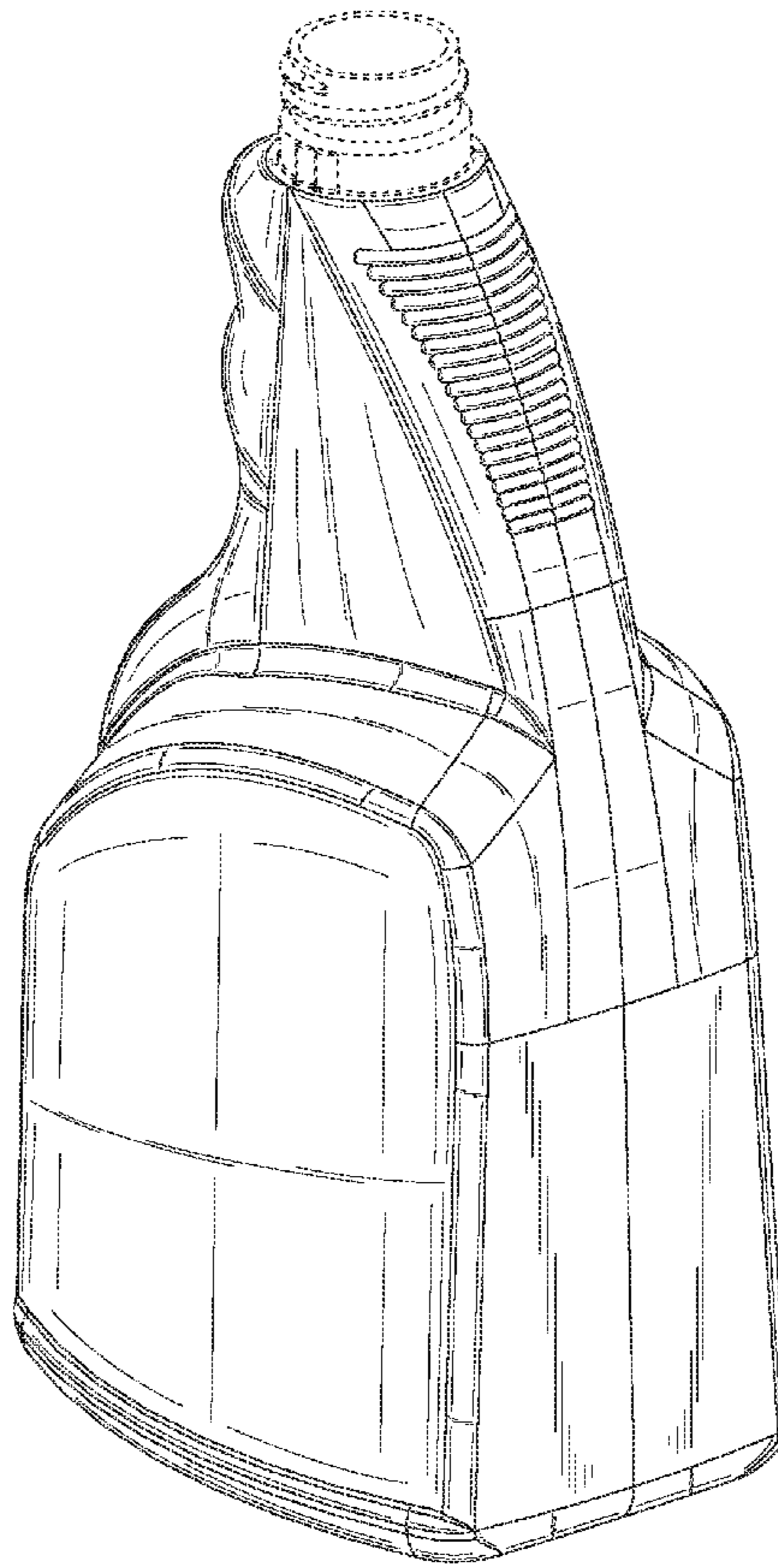
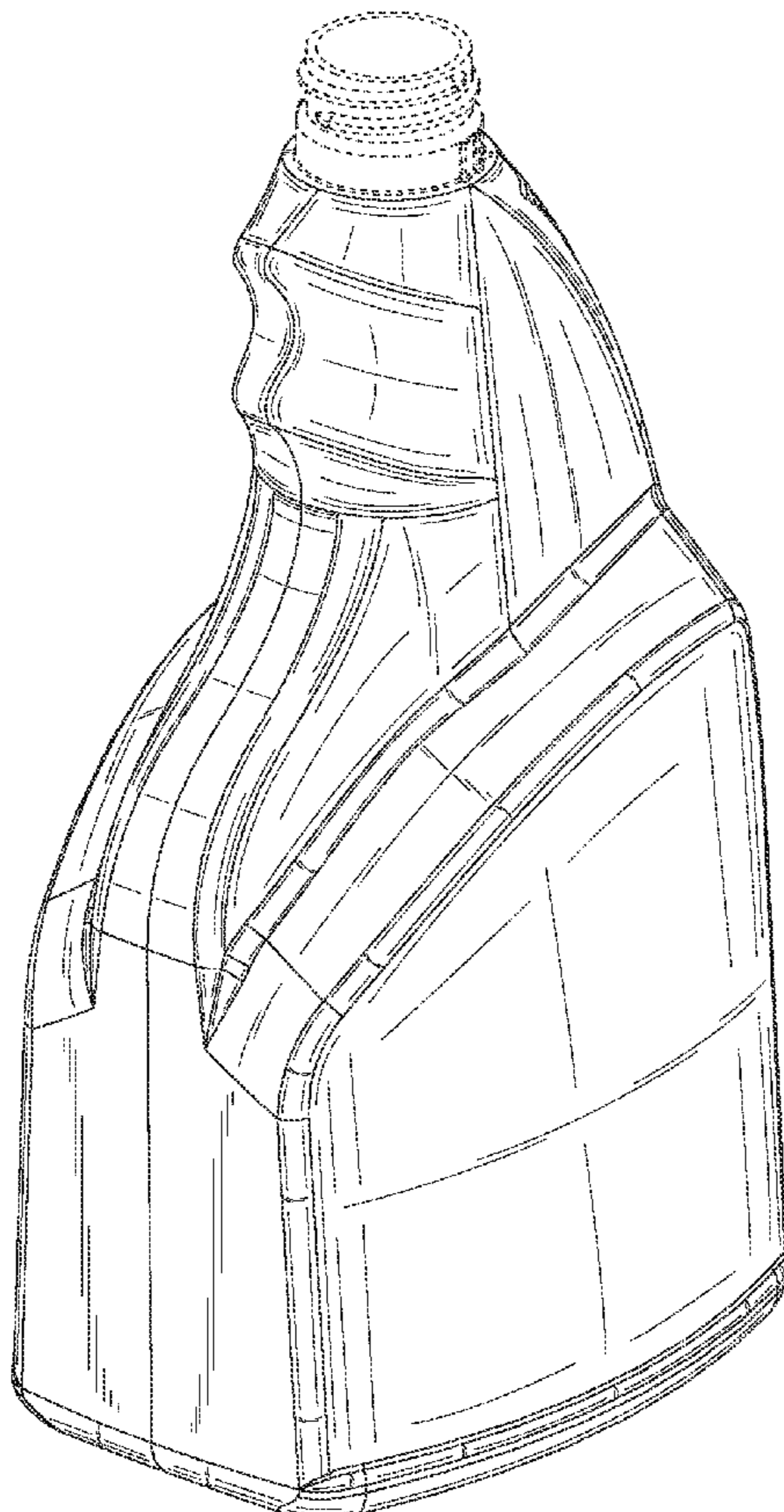
FIG. 5 is a right side view thereof; the left side view thereof being a mirror image of the right side view thereof;

FIG. 6 is a top view thereof; and,

FIG. 7 is a bottom view thereof.

The broken lines shown in the drawings are for illustrative purposes only and form no part of the claimed design.

1 Claim, 5 Drawing Sheets



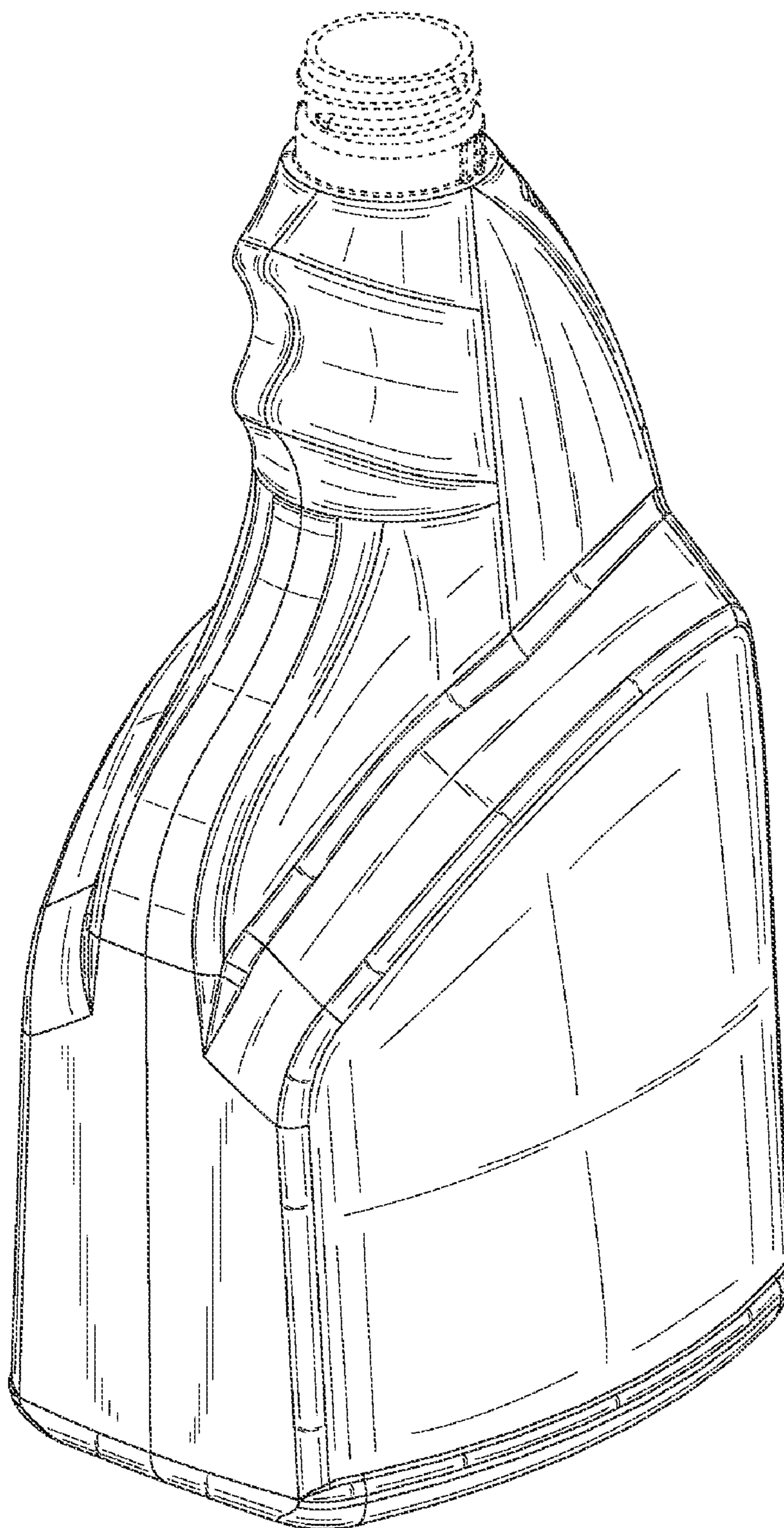


Fig. 1

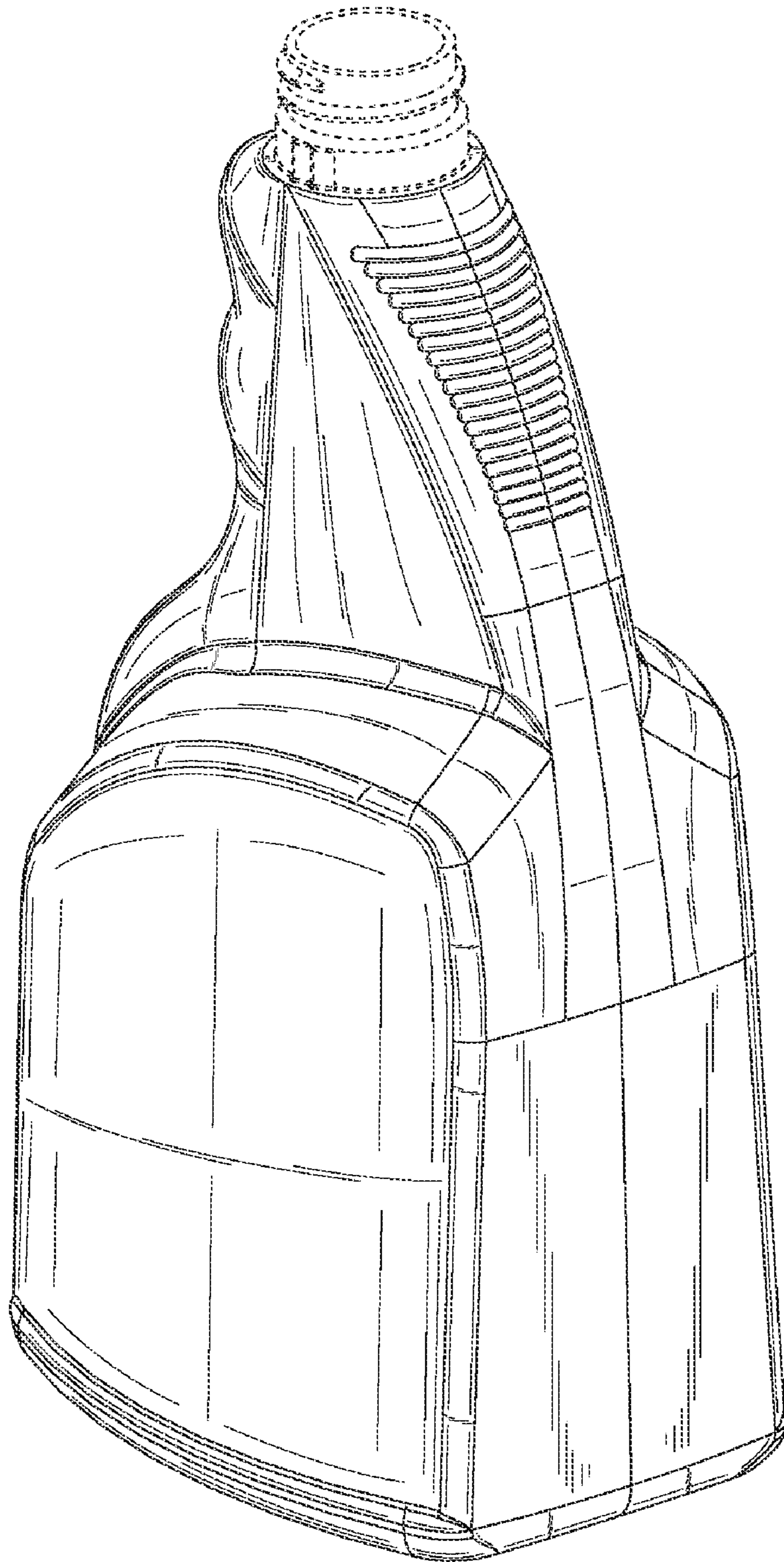


Fig. 2

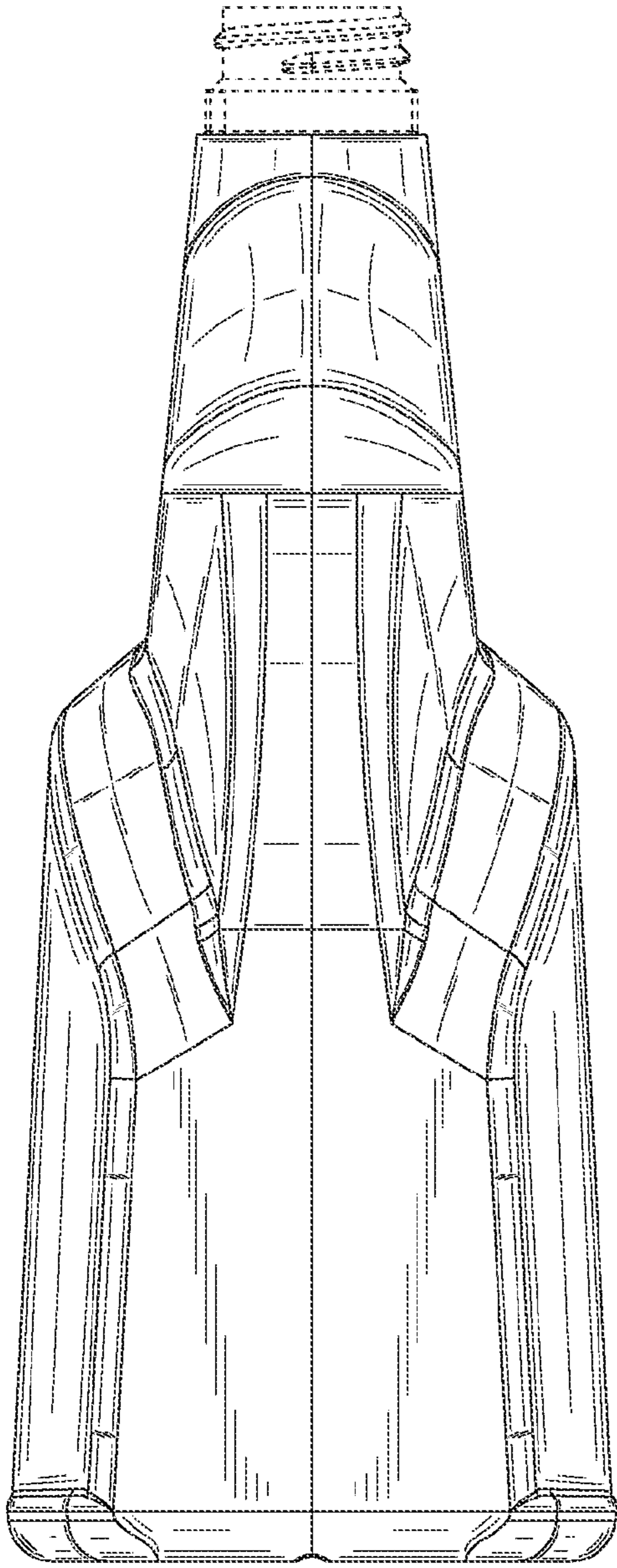


Fig. 3

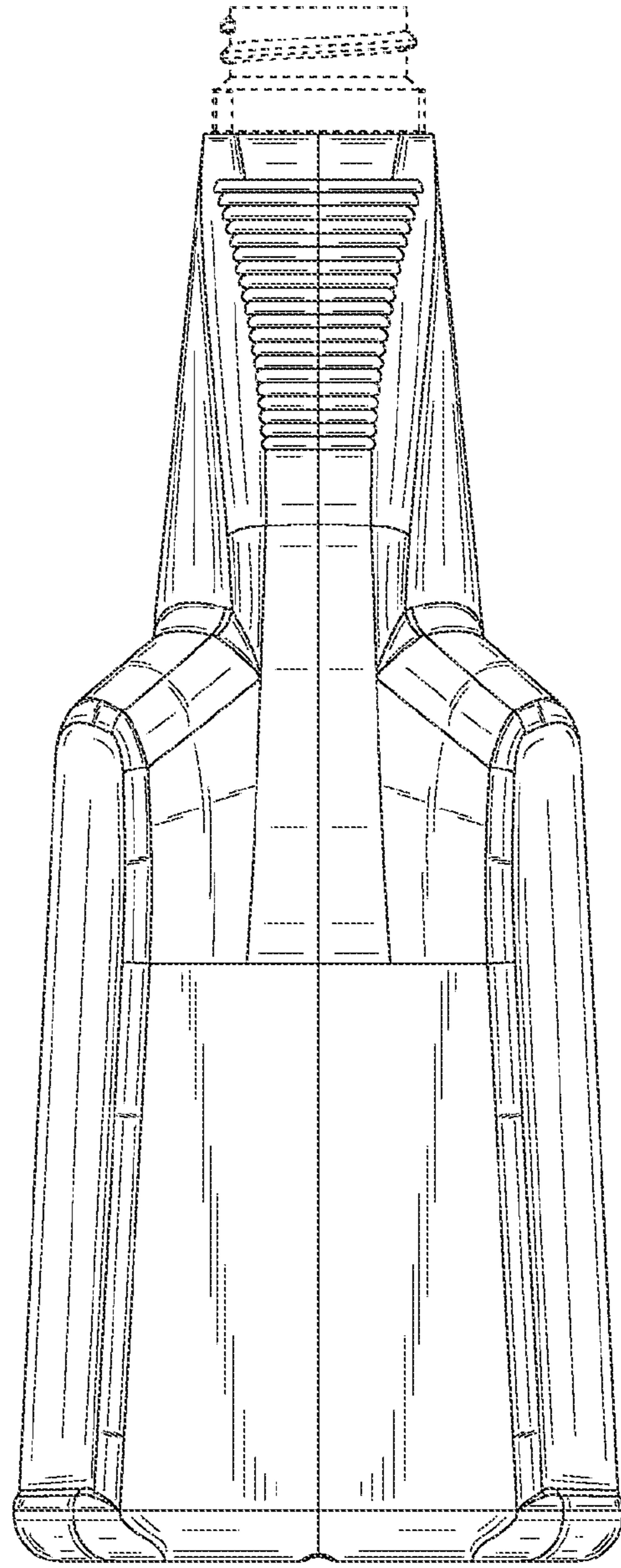


Fig. 4

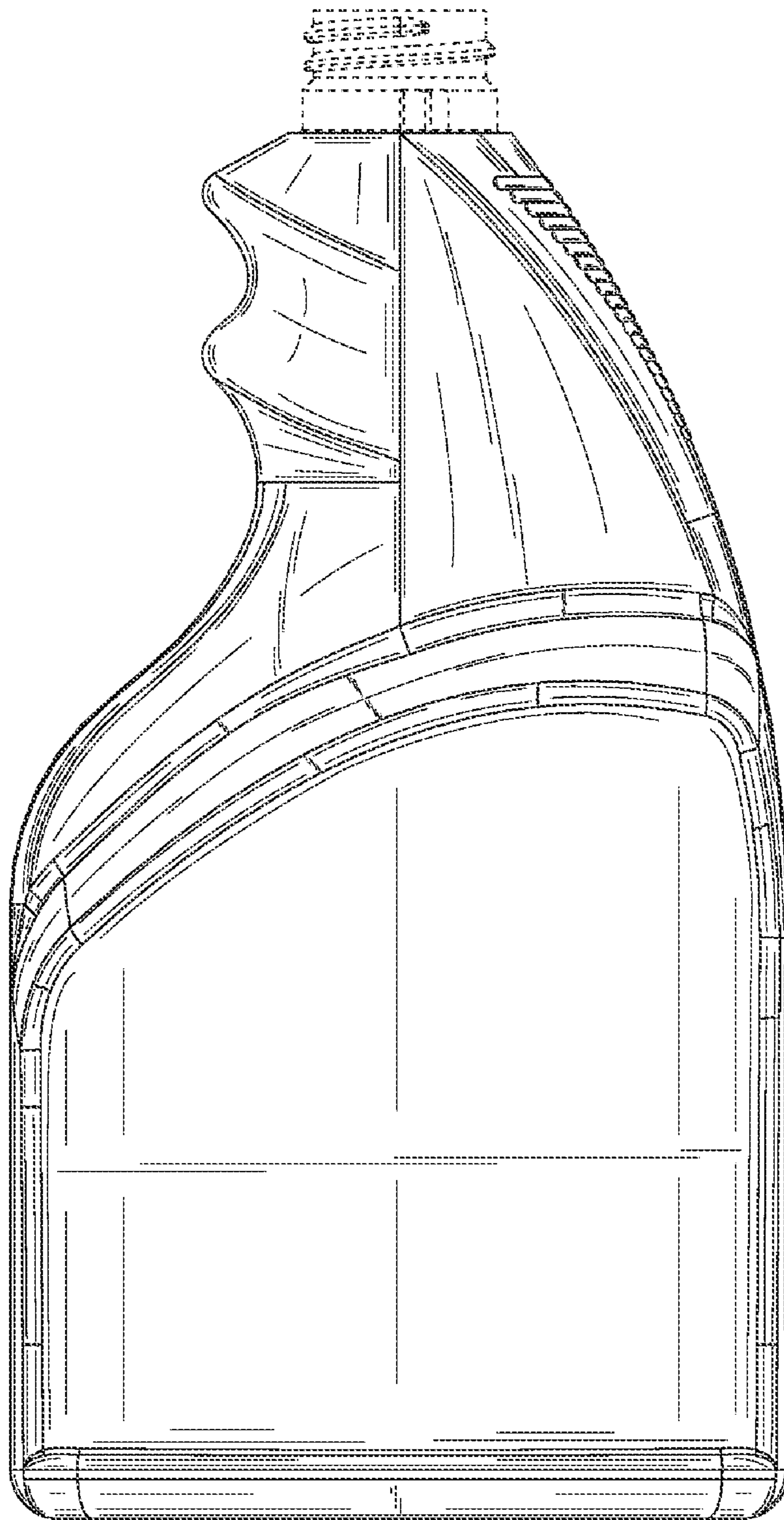


Fig. 5

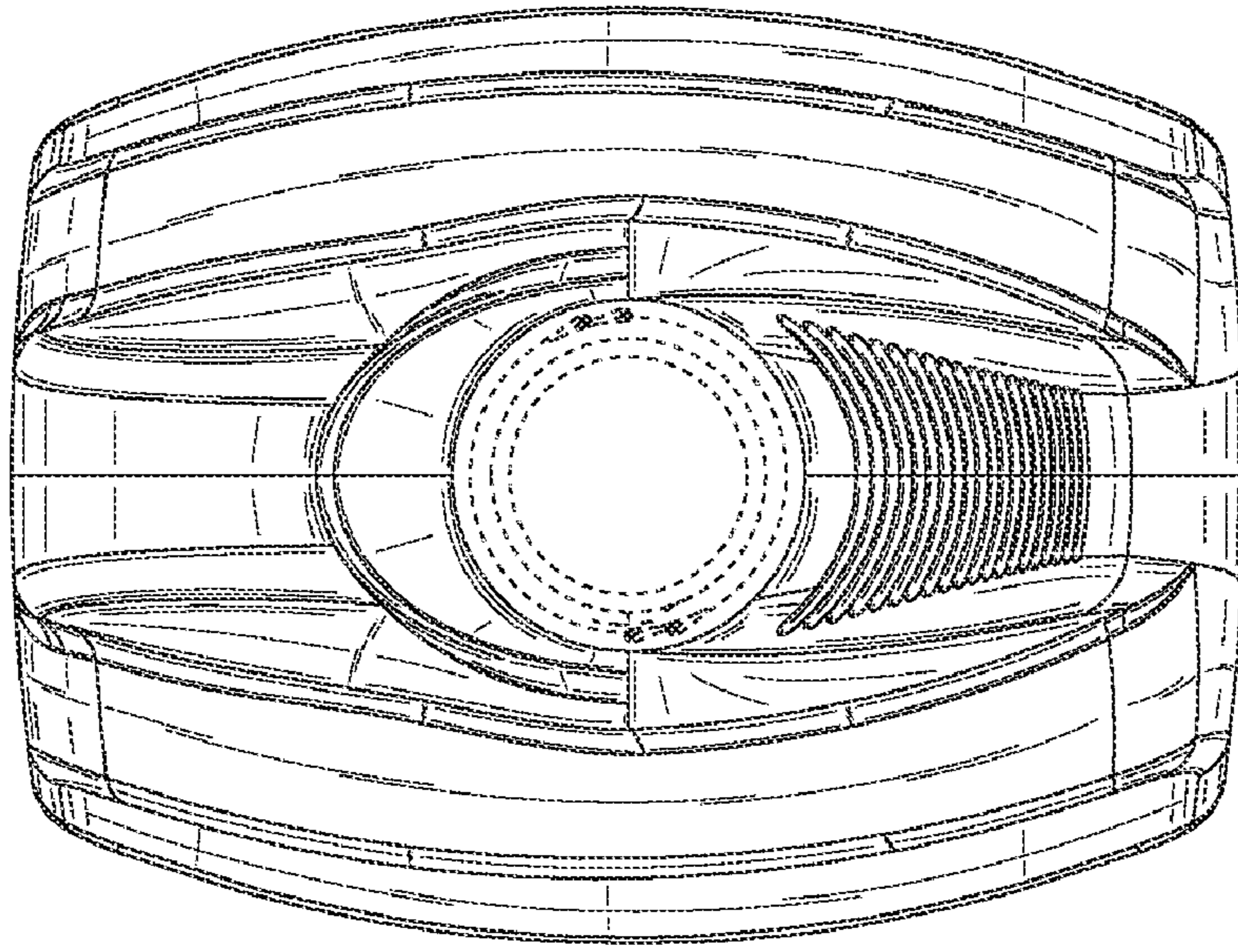


Fig. 6

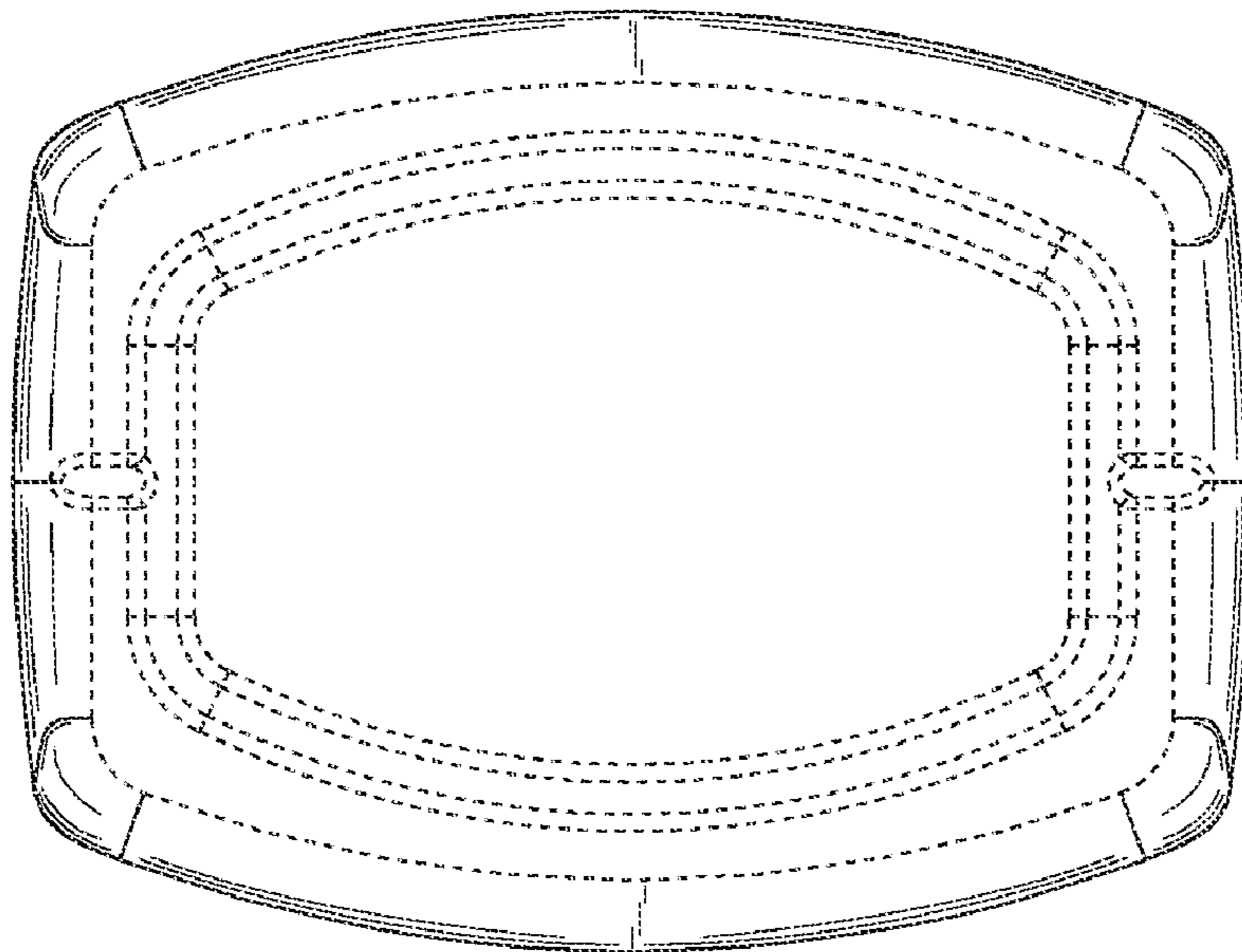


Fig. 7