



US00D593410S

(12) **United States Design Patent**  
**Schwartz**

(10) **Patent No.:** **US D593,410 S**  
(45) **Date of Patent:** **\*\* Jun. 2, 2009**

(54) **INDICIA FOR A PACKAGE**

U.S. Appl. No. 29/286,347, dated May 2, 2007, Akers et al.

(75) Inventor: **Keara Elyse Schwartz**, Cincinnati, OH  
(US)

\* cited by examiner

*Primary Examiner*—Susan Bennett Hattan

(73) Assignee: **The Procter & Gamble Company**,  
Cincinnati, OH (US)

(74) *Attorney, Agent, or Firm*—Julia A. Glazer; Kim W. Zerby; Steven W. Miller

(\*\*) Term: **14 Years**

(57) **CLAIM**

(21) Appl. No.: **29/301,362**

The ornamental design for indicia for a package, as shown and described.

(22) Filed: **Feb. 26, 2008**

**DESCRIPTION**

(51) **LOC (9) Cl.** ..... **09-07**

(52) **U.S. Cl.** ..... **D9/434**

(58) **Field of Classification Search** ..... D9/749,  
D9/721, 705, 700, 658, 655, 652, 457, 455,  
D9/431, 424, 415; D7/512, 510; D6/526;  
493/104; 229/128, 117.03; 220/834; 206/779,  
206/775, 705, 701, 563, 553, 471, 469, 459.5,  
206/457, 395, 349; D1/127; D23/367, 366  
See application file for complete search history.

FIG. 1 is a front view of indicia for a package, showing my new ornamental design.

FIG. 2 is a front view of indicia for a package.

FIG. 3 is a front view of indicia for a package.

FIG. 4 is a perspective view of indicia for a package.

FIG. 5 is a front view of the indicia for the package of FIG. 4.

FIG. 6 is a rear view of the indicia for the package of FIG. 4.

FIG. 7 is a perspective view of indicia for a package.

FIG. 8 is a front view of the indicia for the package of FIG. 7.

FIG. 9 is a perspective view of indicia for a package.

FIG. 10 is a front view of the indicia for the package of FIG. 9.

FIG. 11 is a perspective view of indicia for a package.

FIG. 12 is a front view of the indicia for the package of FIG. 11; and,

FIG. 13 is a rear view of the indicia for the package of FIG. 11.

The broken line showing of environmental structure in the figures is for illustrative purposes only and forms no part of the claimed design.

(56) **References Cited**

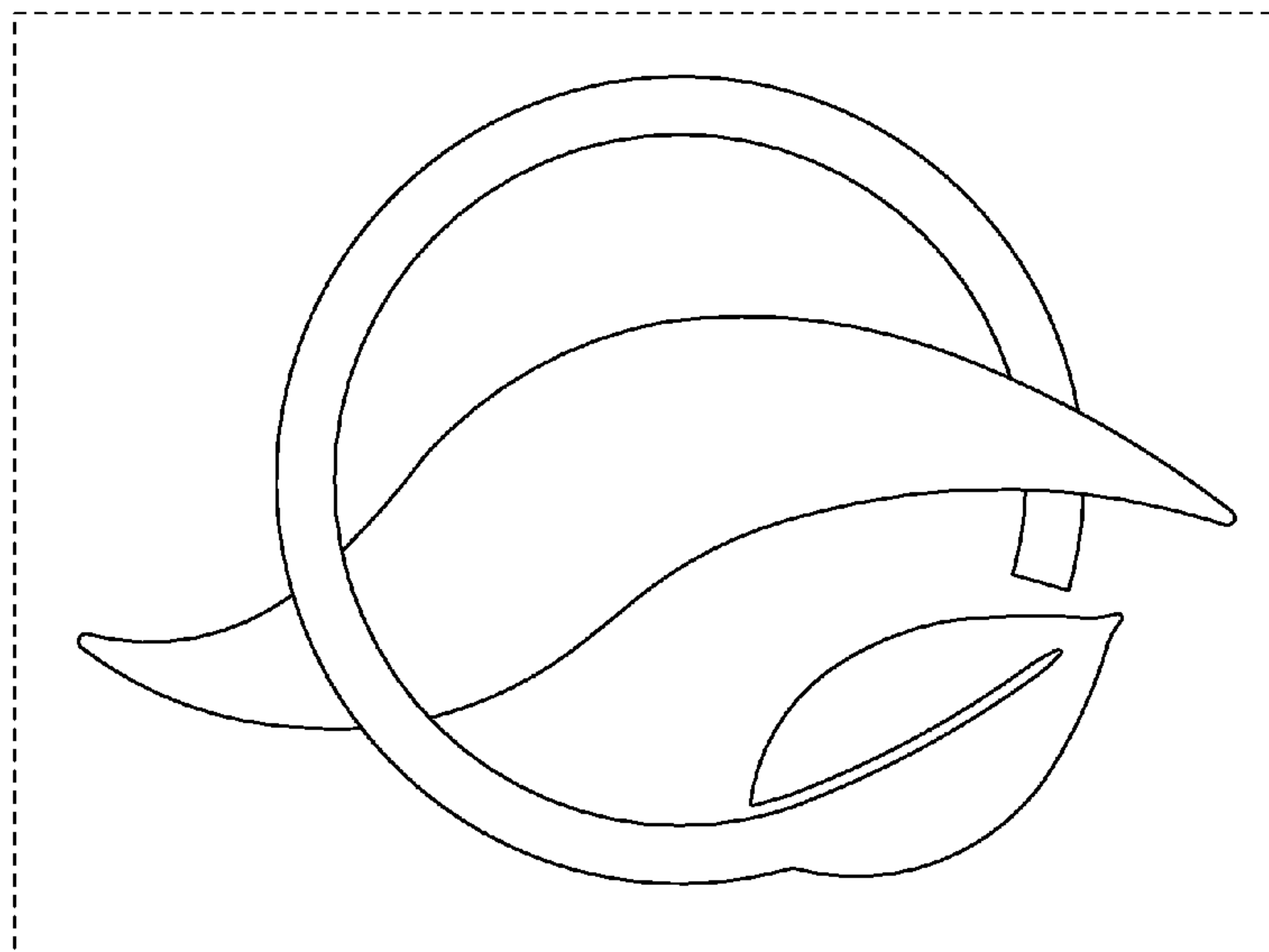
**U.S. PATENT DOCUMENTS**

D111,962 S	*	11/1938	Frank	.....	D9/658
D422,493 S	*	4/2000	Clarke	.....	D9/658
D488,060 S	*	4/2004	Yourist	.....	D9/658
D529,394 S	*	10/2006	Nagata	.....	D9/658

**OTHER PUBLICATIONS**

[http://www.febreze.com/en\\_US/febreze/aireffects.do](http://www.febreze.com/en_US/febreze/aireffects.do)—Air Effects: Eliminate Odors & Freshen the Air—printed Feb. 26, 2008—1 page.  
[http://www.febreze.com/en\\_US/febreze/drtv\\_ae\\_poker.do](http://www.febreze.com/en_US/febreze/drtv_ae_poker.do)—Febreze Air Effects: Take the Online Freshness Challenge—printed Feb. 26, 2008—1 page.  
[http://www.febreze.com/en\\_US/febreze/fabric\\_refresher.do](http://www.febreze.com/en_US/febreze/fabric_refresher.do)—Febreze Fabric Refresher: Eliminates Odors From Fabrics—printed Feb. 26, 2008—1 page.

**1 Claim, 10 Drawing Sheets**



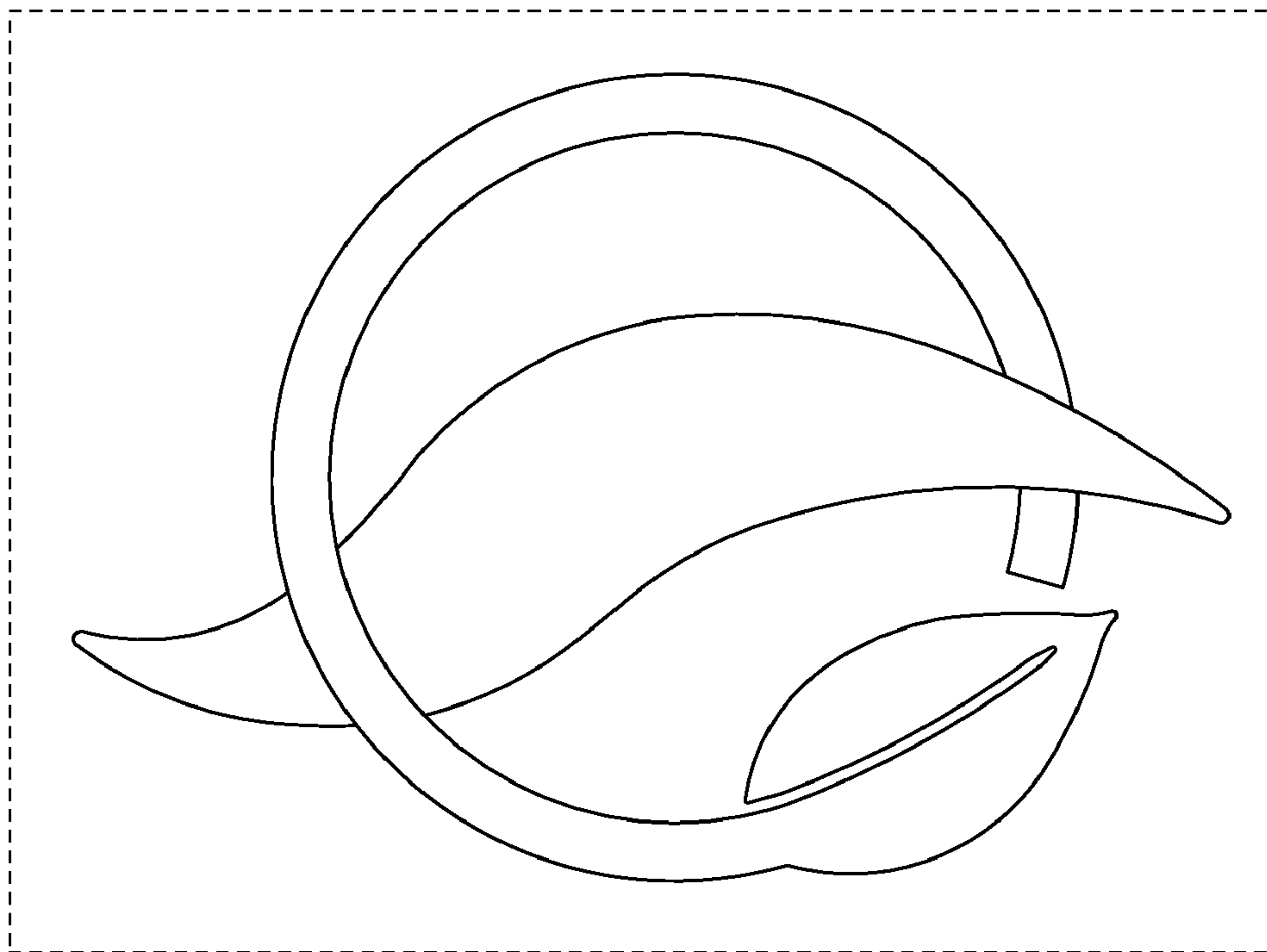


Fig. 1

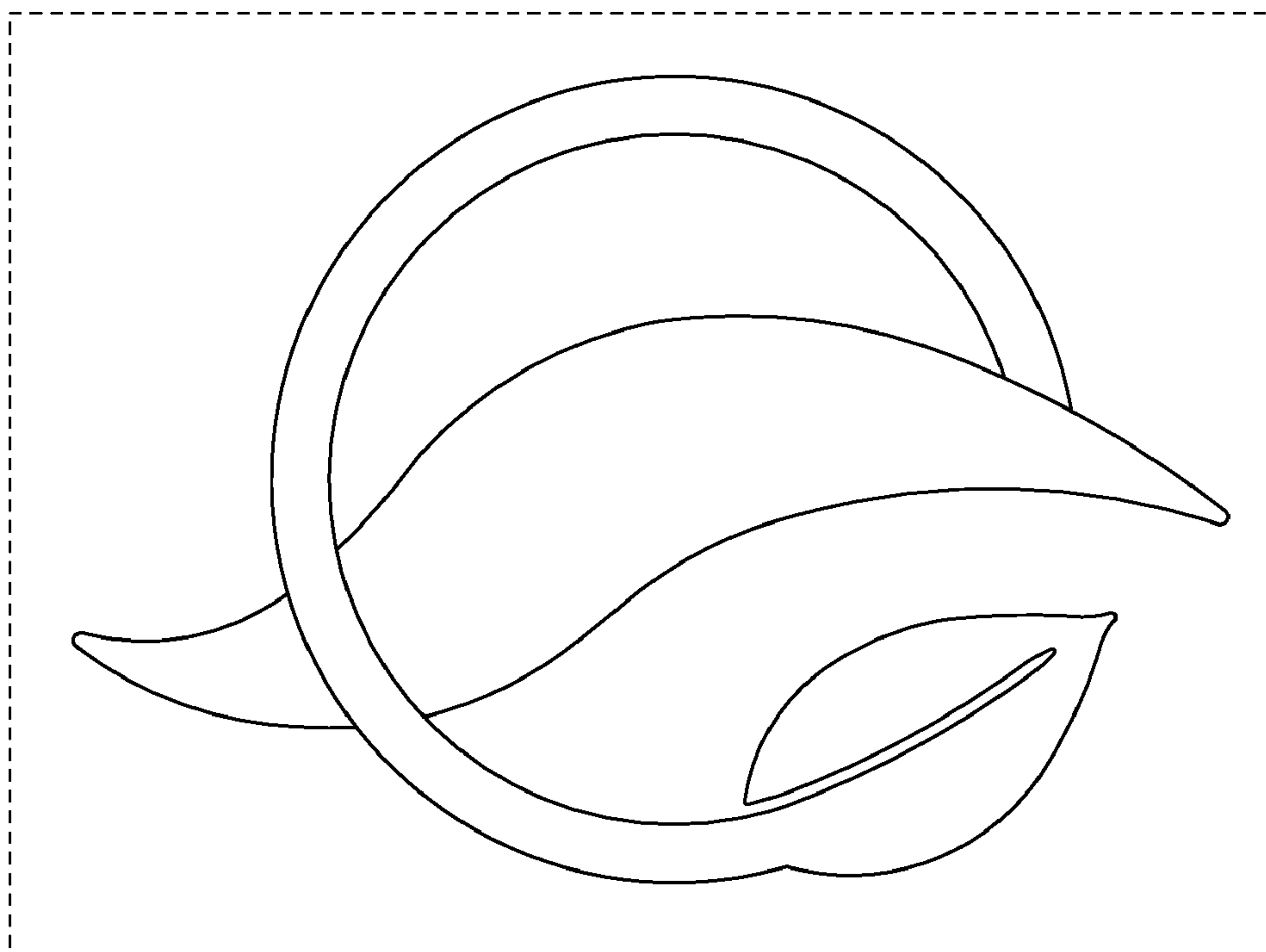


Fig. 2

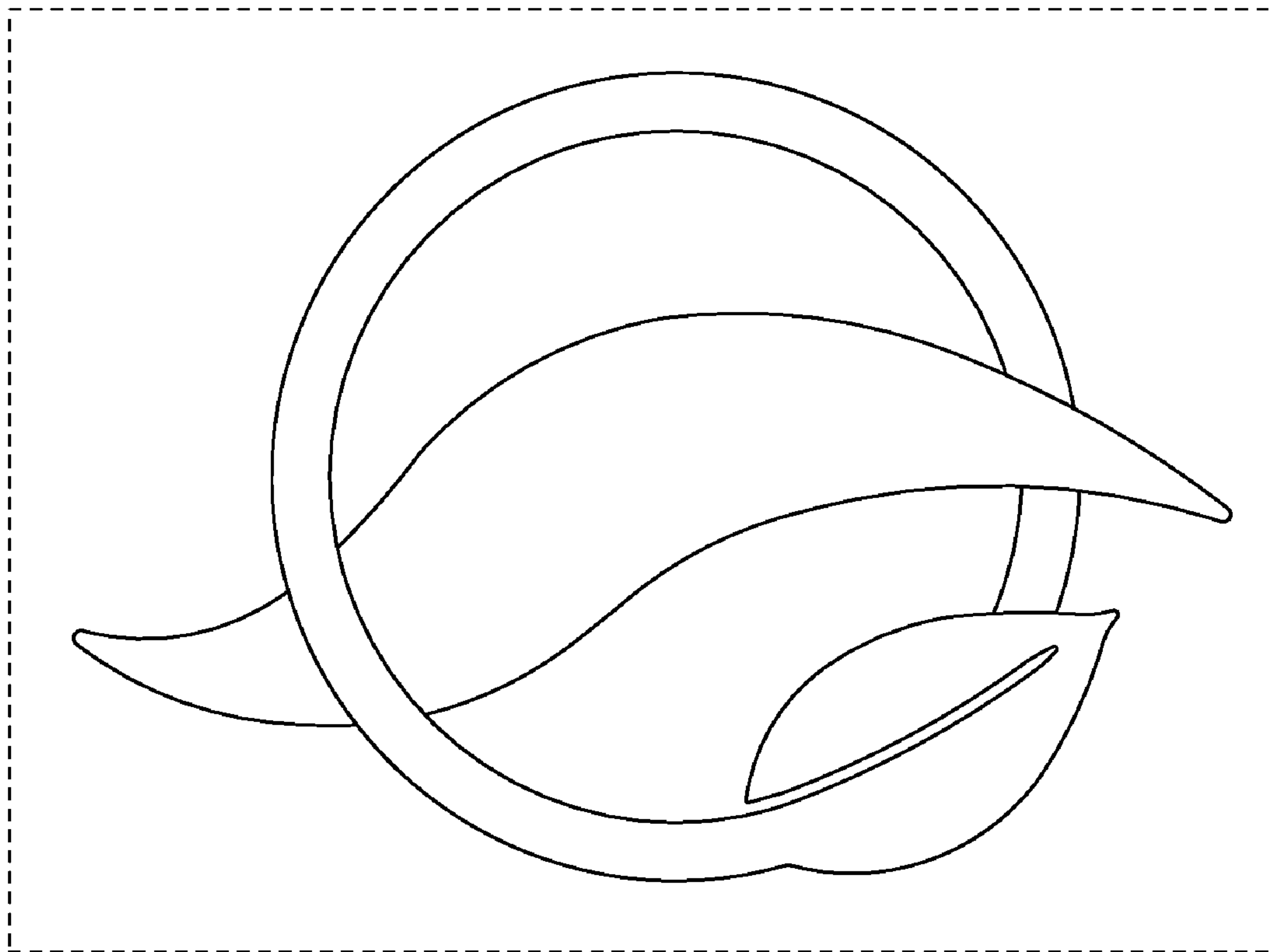


Fig. 3

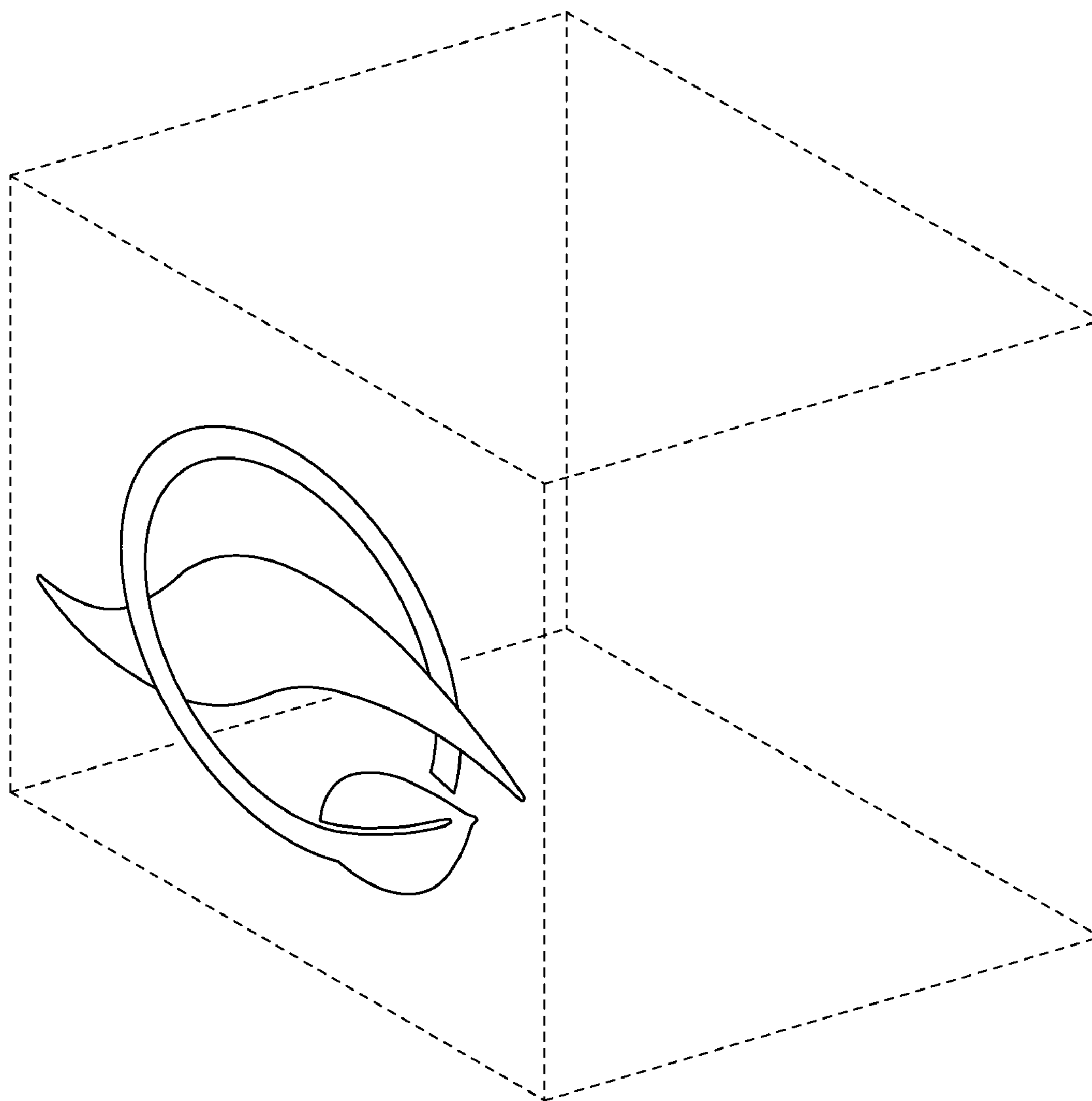


Fig. 4

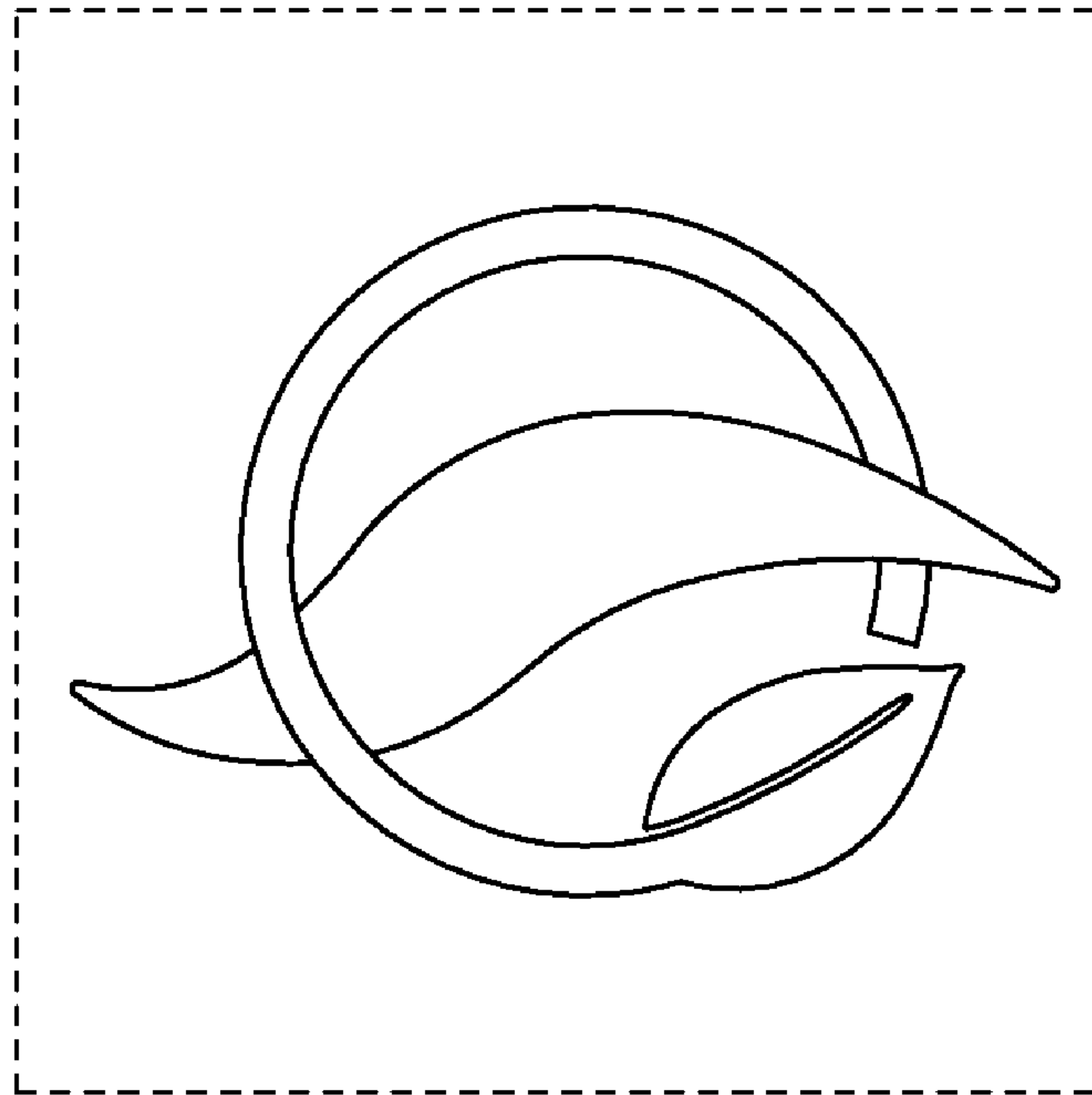


Fig. 5

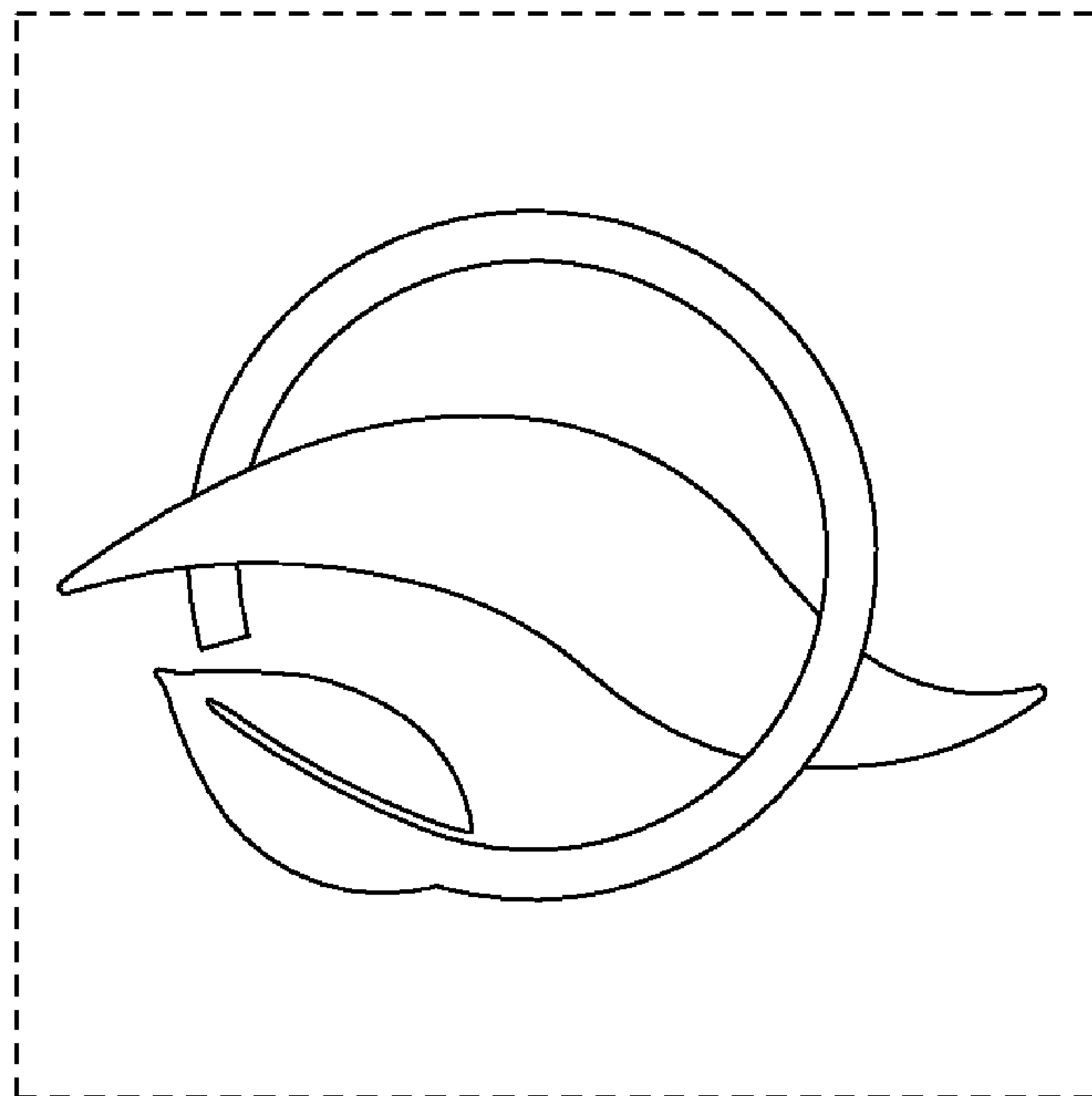


Fig. 6

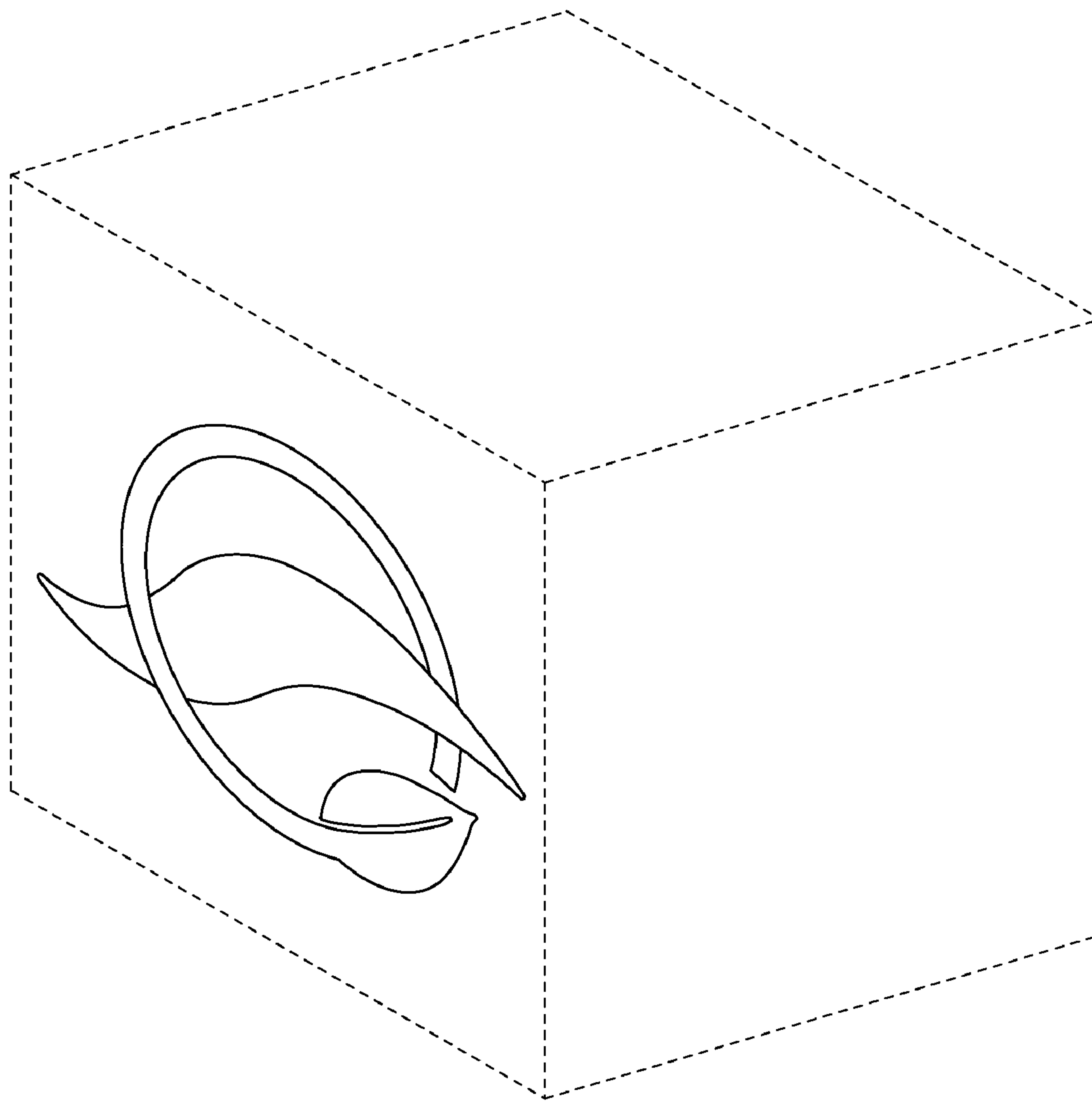


Fig. 7

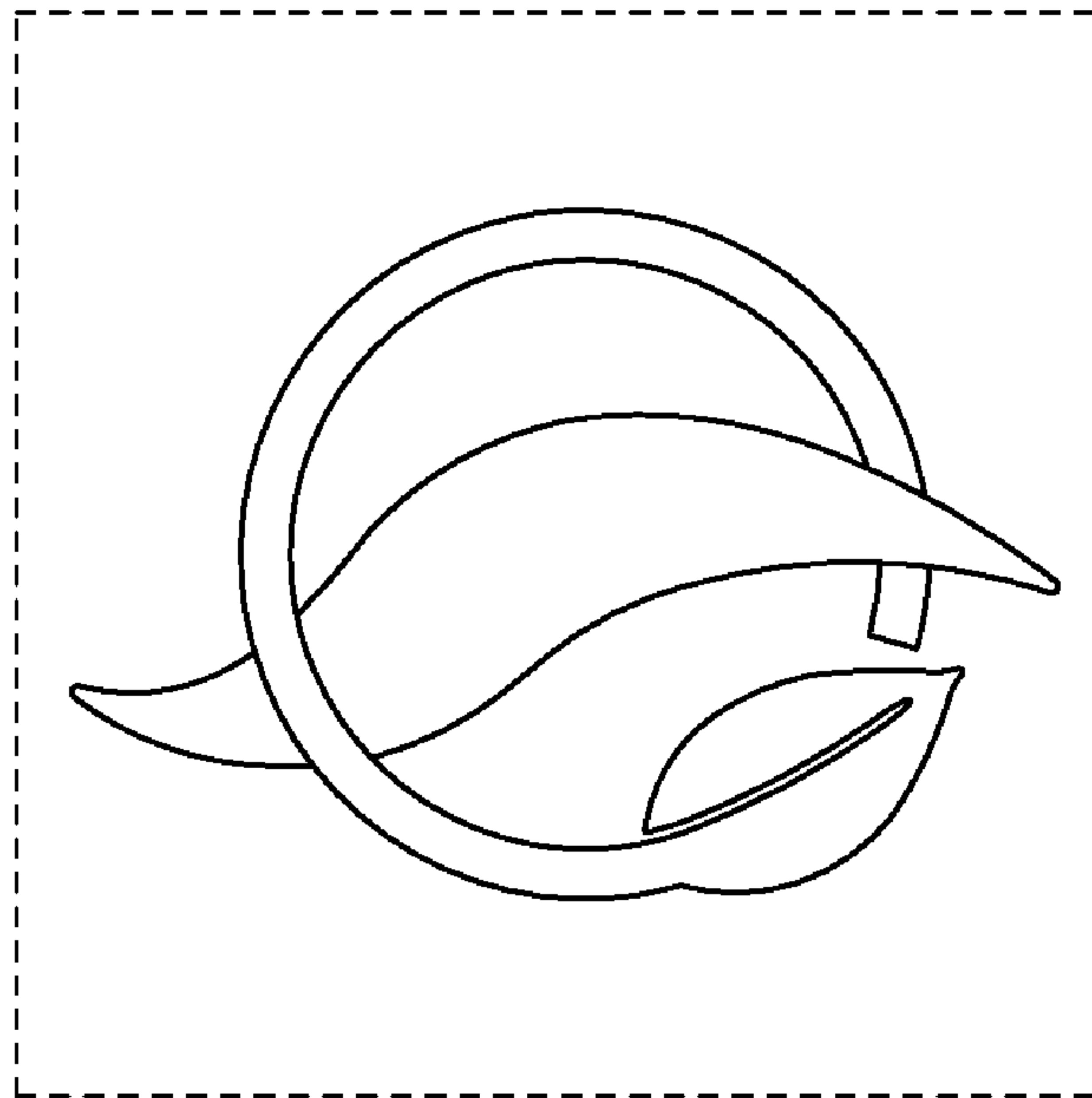


Fig. 8

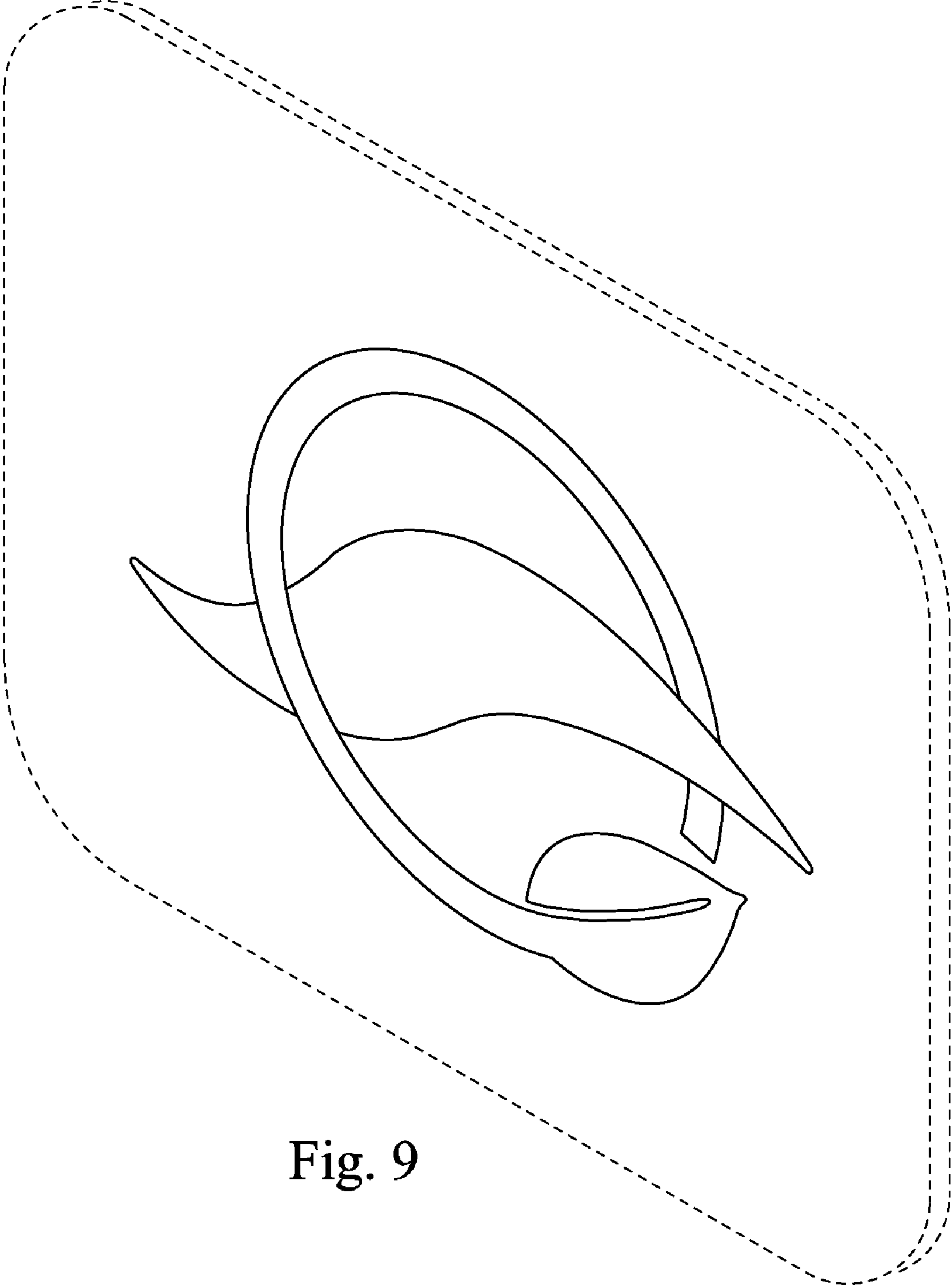


Fig. 9



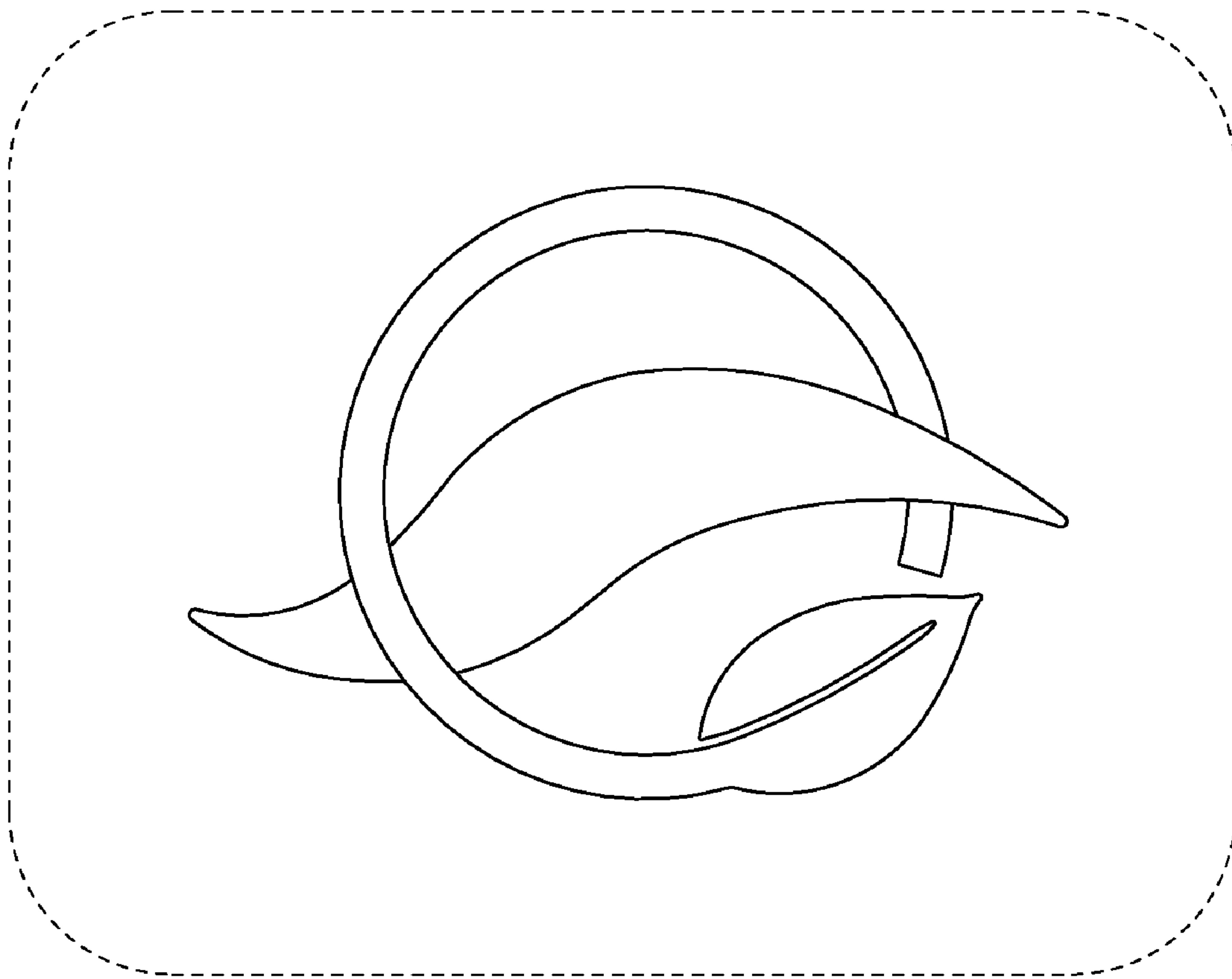


Fig. 10

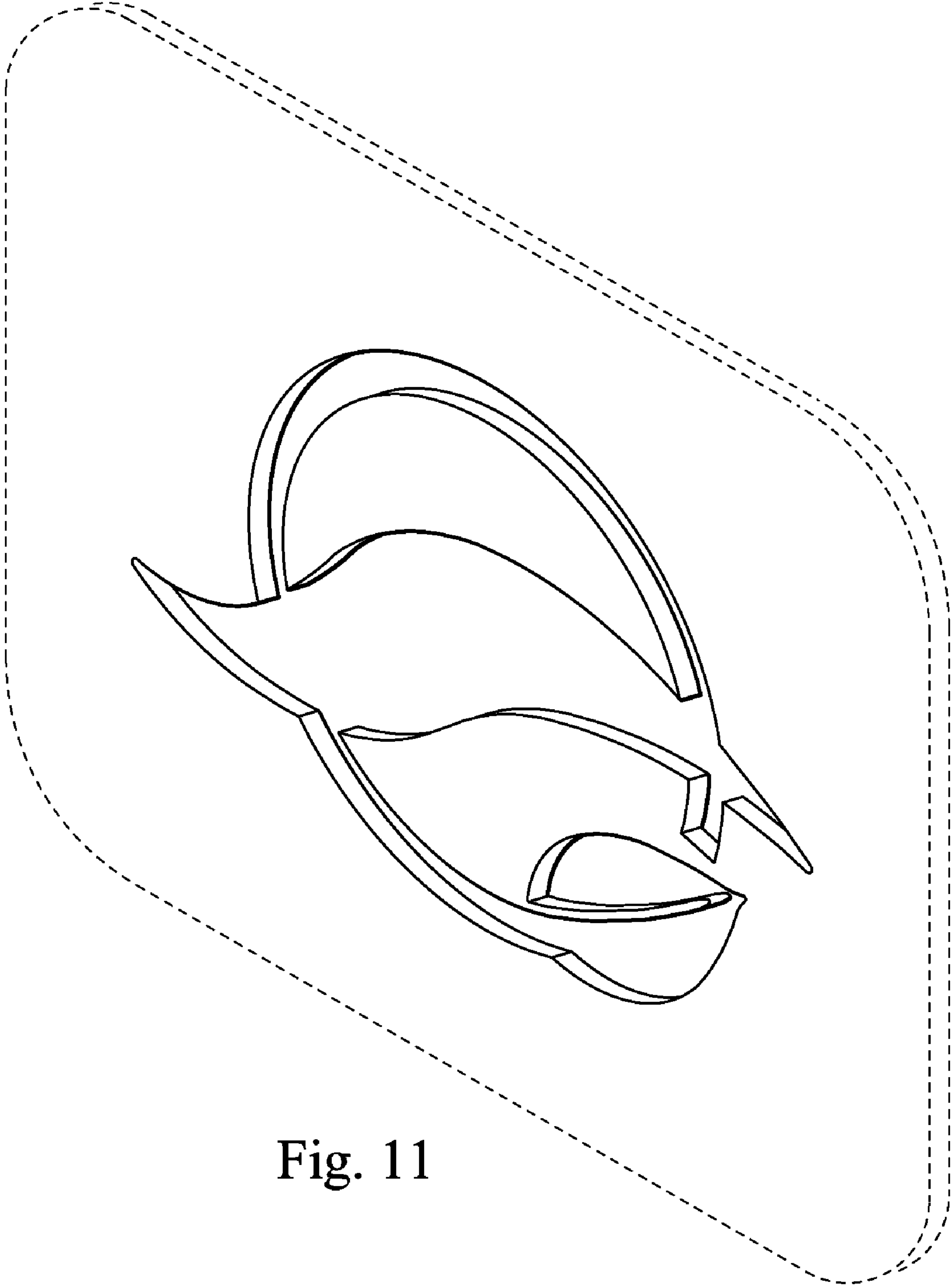


Fig. 11

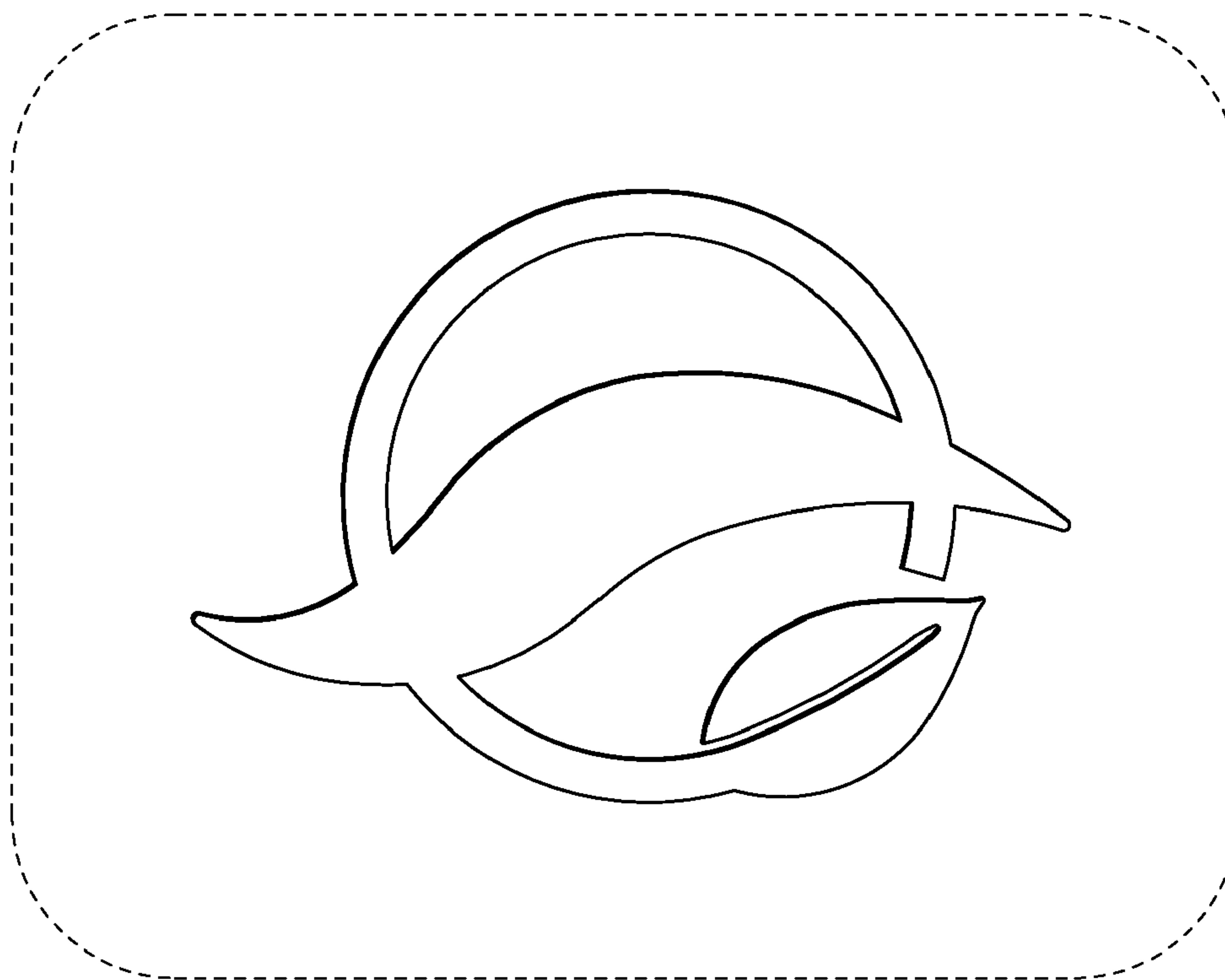


Fig. 12

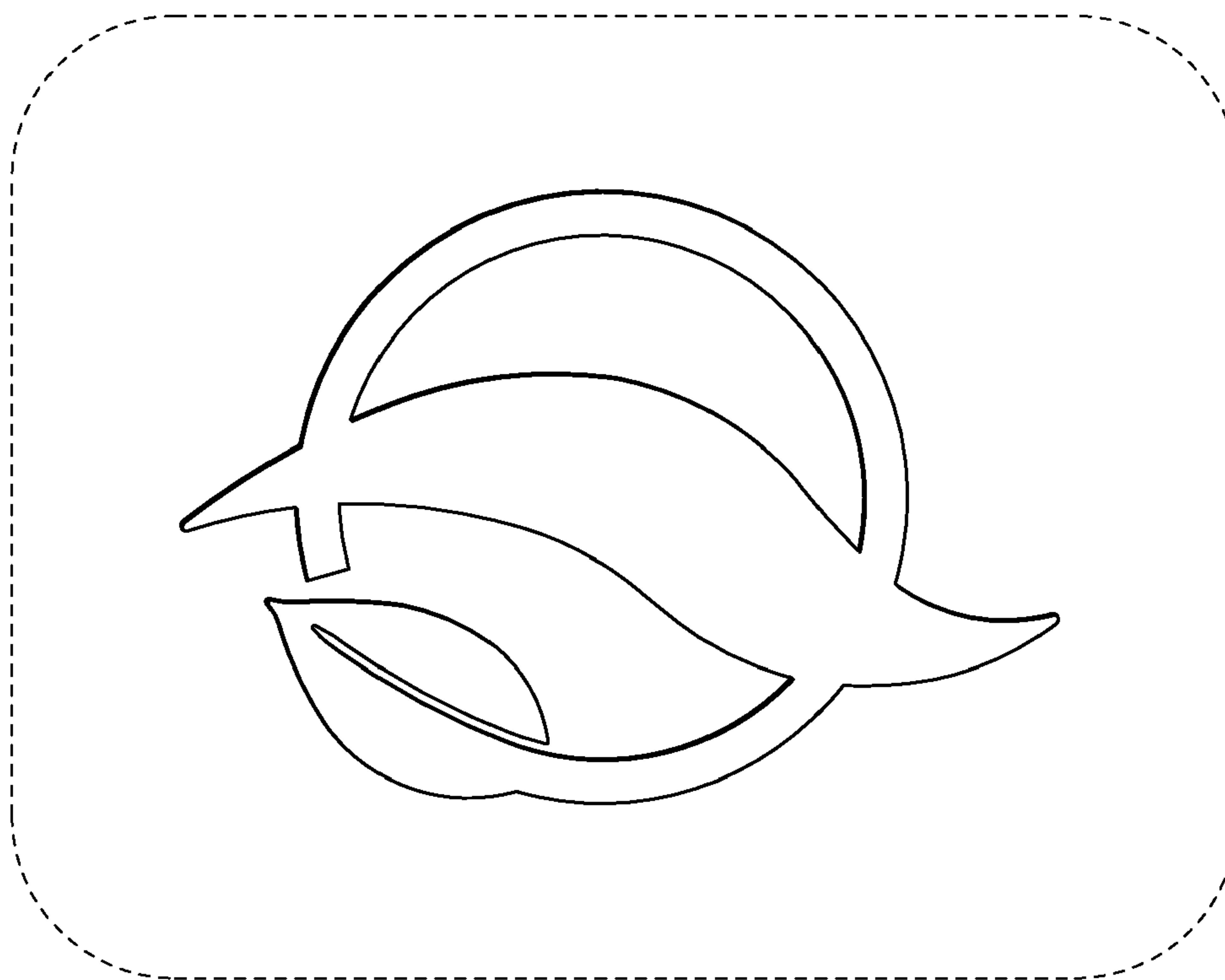


Fig. 13