



US00D593409S

(12) **United States Design Patent**
Blick

(10) **Patent No.:** **US D593,409 S**
(45) **Date of Patent:** **** Jun. 2, 2009**

- (54) **SLIDE BOX**
- (75) Inventor: **Kevin David Blick**, Tokyo (JP)
- (73) Assignee: **Birtish American Tobacco Japan, Ltd**, Tokyo (JP)
- (**) Term: **14 Years**
- (21) Appl. No.: **29/326,418**
- (22) Filed: **Oct. 17, 2008**

3,052,398	A *	9/1962	Lewin	229/125.37
3,058,646	A *	10/1962	Guyer	229/160.1
3,302,844	A *	2/1967	Henry	229/120.18
3,583,625	A *	6/1971	Gero	206/264
3,749,234	A *	7/1973	Gero	206/266
3,881,599	A *	5/1975	Flaherty	206/273
4,172,520	A *	10/1979	Gero	206/265
D275,654	S *	9/1984	Yoshizawa	D9/432
4,534,463	A *	8/1985	Bouchard	206/267
D282,444	S *	2/1986	Yoshizawa	D9/432
4,911,298	A *	3/1990	Miyagawa et al.	206/387.1
D309,570	S *	7/1990	Kinoshita	D9/418
5,007,537	A *	4/1991	Ackeret	206/455
D319,587	S *	9/1991	Lee	D9/432

Related U.S. Application Data

- (62) Division of application No. 29/284,001, filed on Aug. 29, 2007, now Pat. No. Des. 580,751.

(30) **Foreign Application Priority Data**

Mar. 8, 2007 (EP) 000688296

- (51) **LOC (9) Cl.** **09-03**
- (52) **U.S. Cl.** **D9/432; D27/189**
- (58) **Field of Classification Search** D9/430-433, D9/414-418, 420-429, 560, 737, 756; D3/273, D3/302; 206/421, 454, 457, 775-778, 784, 206/822, 236, 242, 256, 261, 265, 267, 268, 206/387.1, 273; 220/500, 523-529, 552, 220/555; 229/100, 103.3, 104-106, 108, 229/108.1, 109, 110, 112-116, 116.1, 116.2, 229/117.15, 120, 125.015, 132, 138, 155, 229/162.1, 162.6, 162.7, 182.1, 213, 214, 229/247, 406, 407, 902, 911, 922, 930, 942, 229/137, 215-219, 248, 249, 121, 146, 160.1; D27/186-191

See application file for complete search history.

(56) **References Cited**

U.S. PATENT DOCUMENTS

2,179,830	A *	11/1939	Wayne et al.	229/104
2,358,790	A *	4/1944	Carruth	229/132
2,407,415	A *	9/1946	Graziano	229/101
2,426,856	A *	9/1947	Berg	229/122
3,028,950	A *	4/1962	Dirk	206/246

(Continued)

Primary Examiner—T. Chase Nelson

Assistant Examiner—Karen Acker

(74) *Attorney, Agent, or Firm*—Charles I. Sherman; Middleton Reutlinger

(57) **CLAIM**

The ornamental design for a slide box, as shown and described.

DESCRIPTION

FIG. 1 is a rear perspective view of the slide box design in a closed position showing the left side thereof;

FIG. 2 is a right side view of the slide box of FIG. 1 in a closed position;

FIG. 3 is a top or bottom view of the slide box of FIG. 1 in a closed position, the two views being identical;

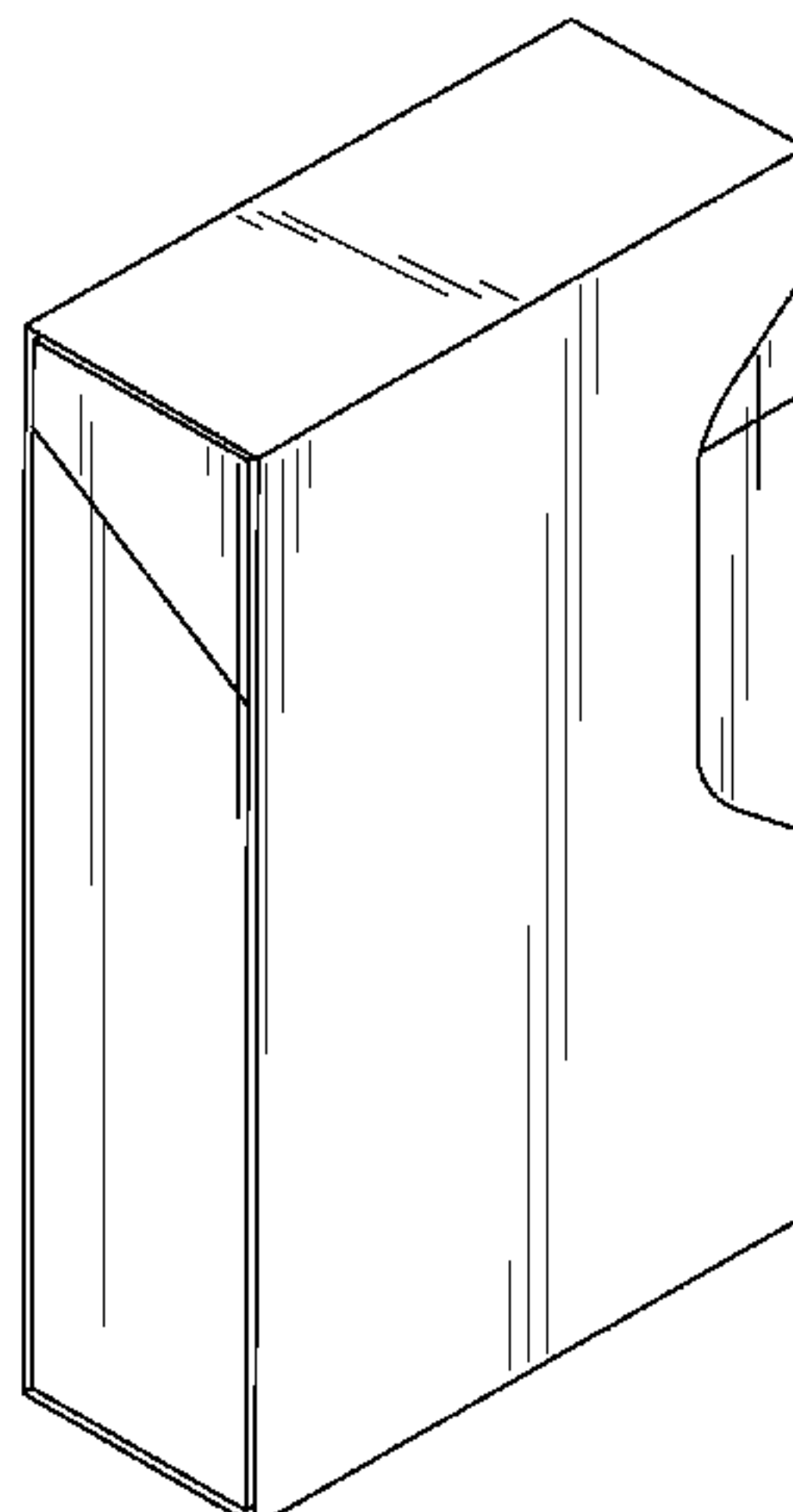
FIG. 4 is front view of the slide box of FIG. 1 in a closed position;

FIG. 5 is a rear perspective view of the slide box of FIG. 1 in a partially open position;

FIG. 6 is a rear perspective view of the slide box of FIG. 1 in an open position; and,

FIG. 7 is a front perspective view of the slide box of FIG. 1 in a partially open position.

1 Claim, 5 Drawing Sheets



US D593,409 S

Page 2

U.S. PATENT DOCUMENTS

5,080,227	A *	1/1992	Focke	206/273	D465,416	S *	11/2002	Dzwill et al.	D9/432
5,103,978	A *	4/1992	Secor	206/387.1	D486,390	S *	2/2004	Auclair et al.	D9/416
5,415,288	A *	5/1995	Ozaki	206/387.1	6,837,369	B2 *	1/2005	Amos	206/273
D381,266	S *	7/1997	Genma	D9/432	6,932,219	B2 *	8/2005	Chacko et al.	206/526
D383,064	S *	9/1997	Tsukikawa	D9/432	6,957,764	B2 *	10/2005	Pozzoli	229/136
D402,554	S *	12/1998	Batchelor	D9/433	D553,493	S *	10/2007	Kracke	D9/432
D411,799	S *	7/1999	Davis	D9/432	2005/0051610	A1 *	3/2005	Butler	229/100
6,237,760	B1 *	5/2001	Parker et al.	206/273	2008/0149507	A1 *	6/2008	Rose et al.	206/267
6,435,342	B1 *	8/2002	Agnes	206/268						

* cited by examiner

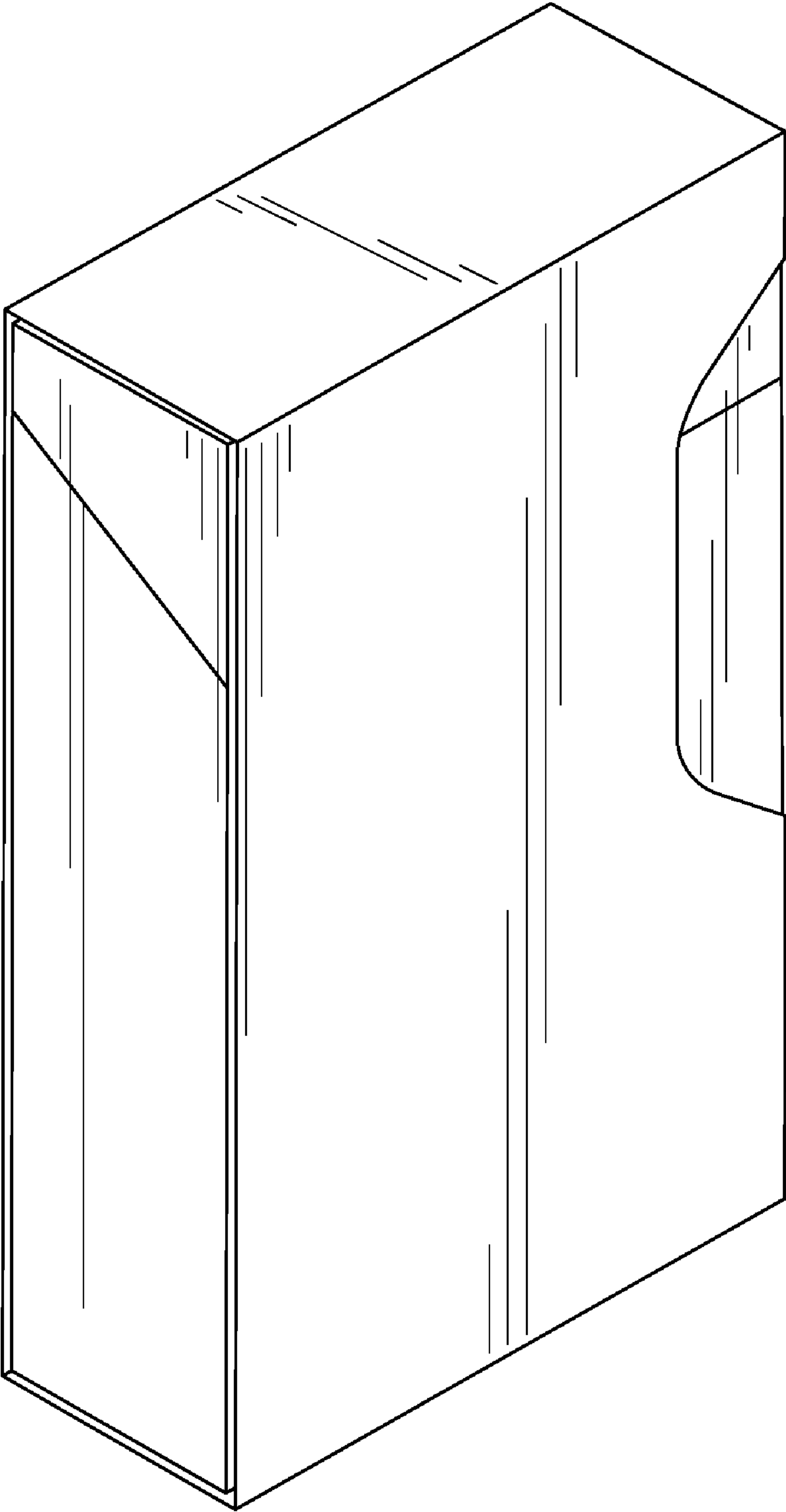


FIG. 1

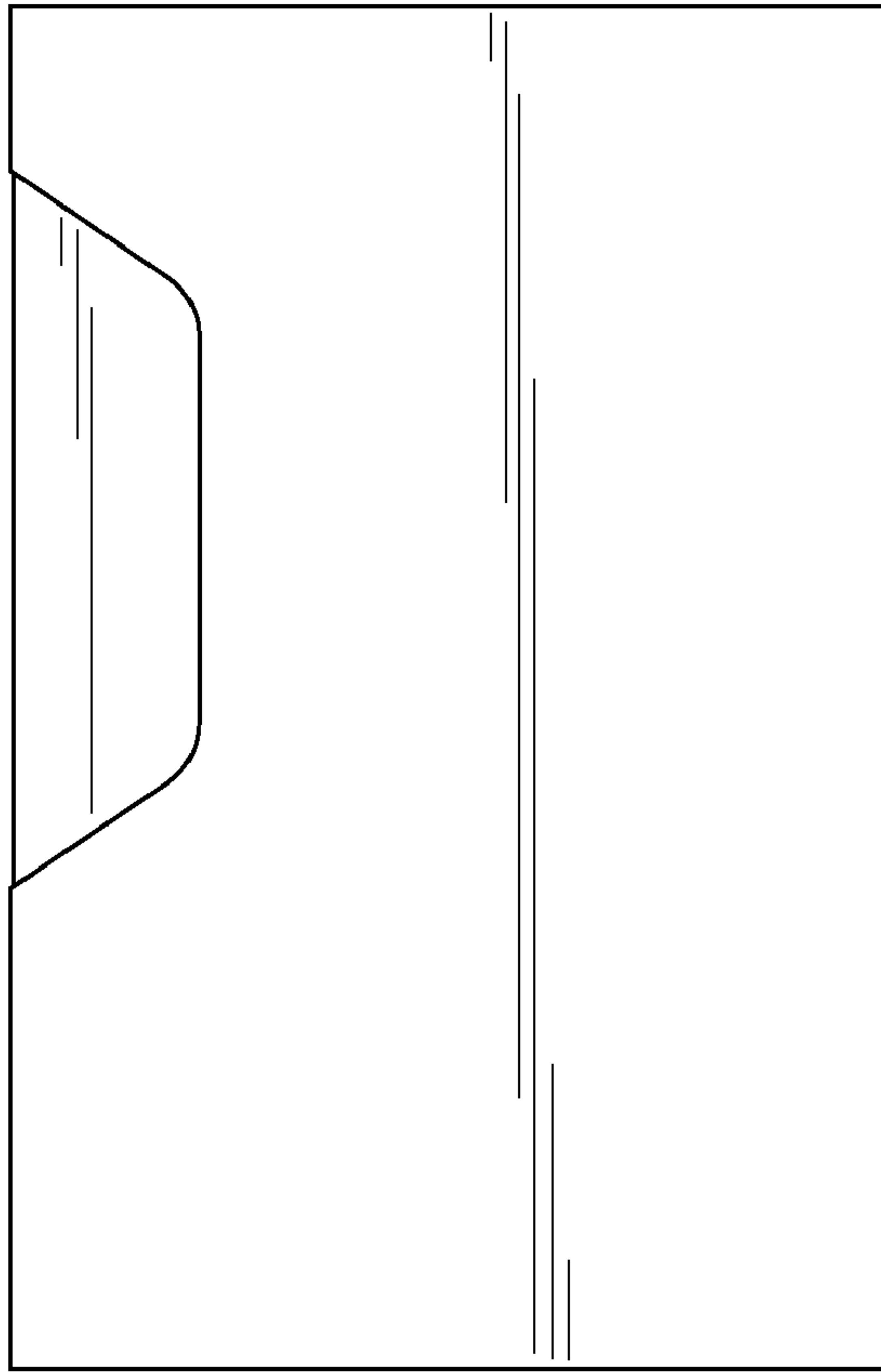


FIG. 2

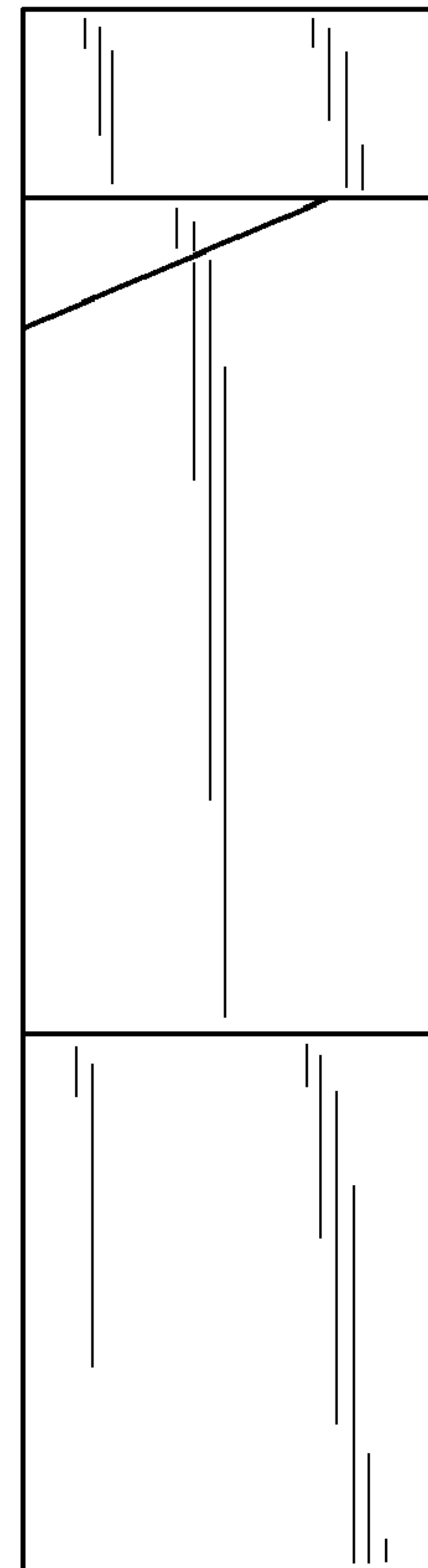


FIG. 4

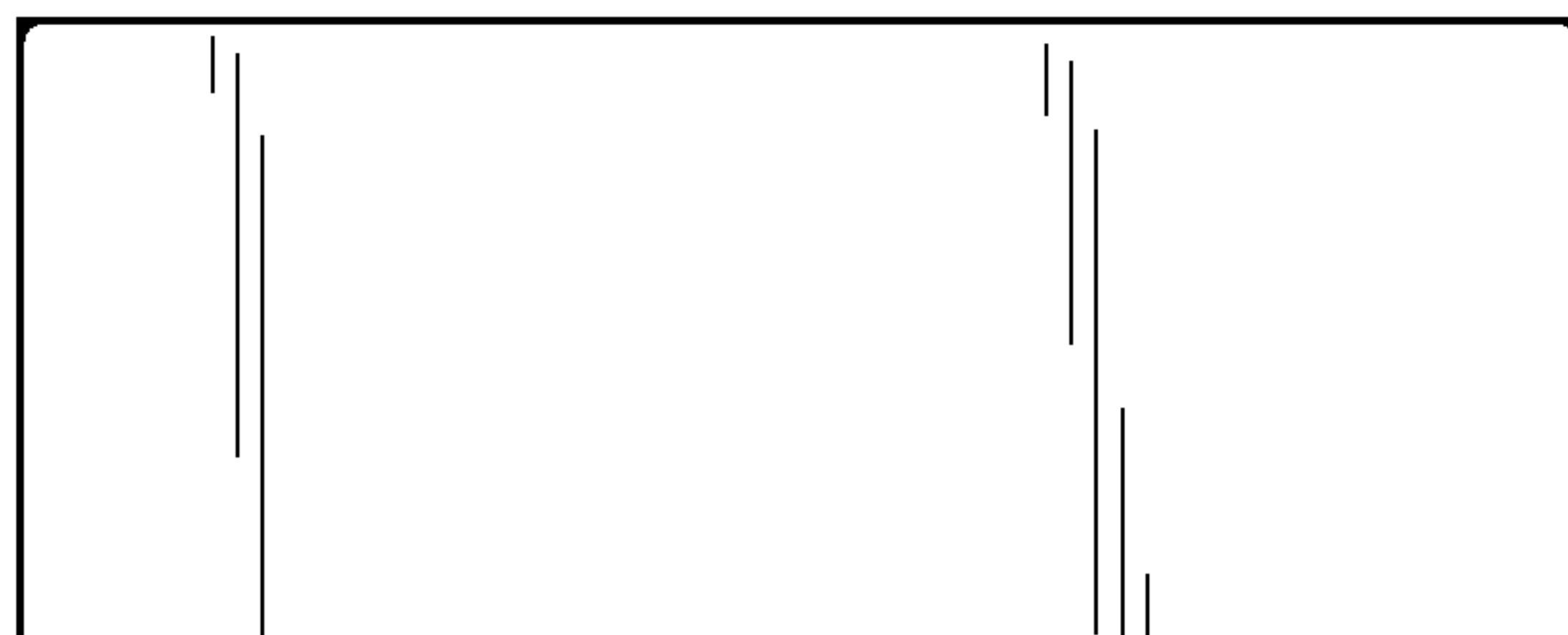


FIG. 3

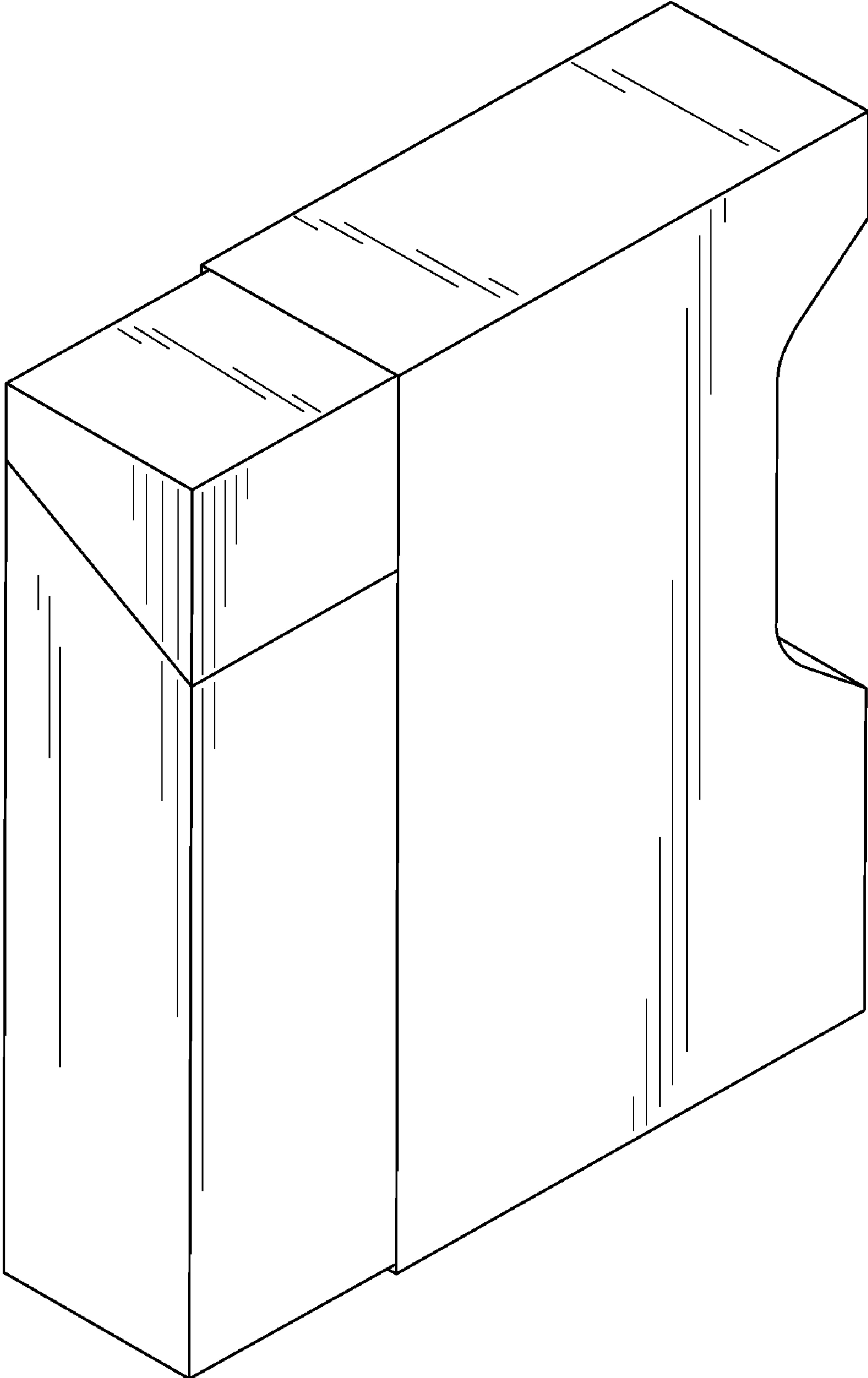


FIG. 5

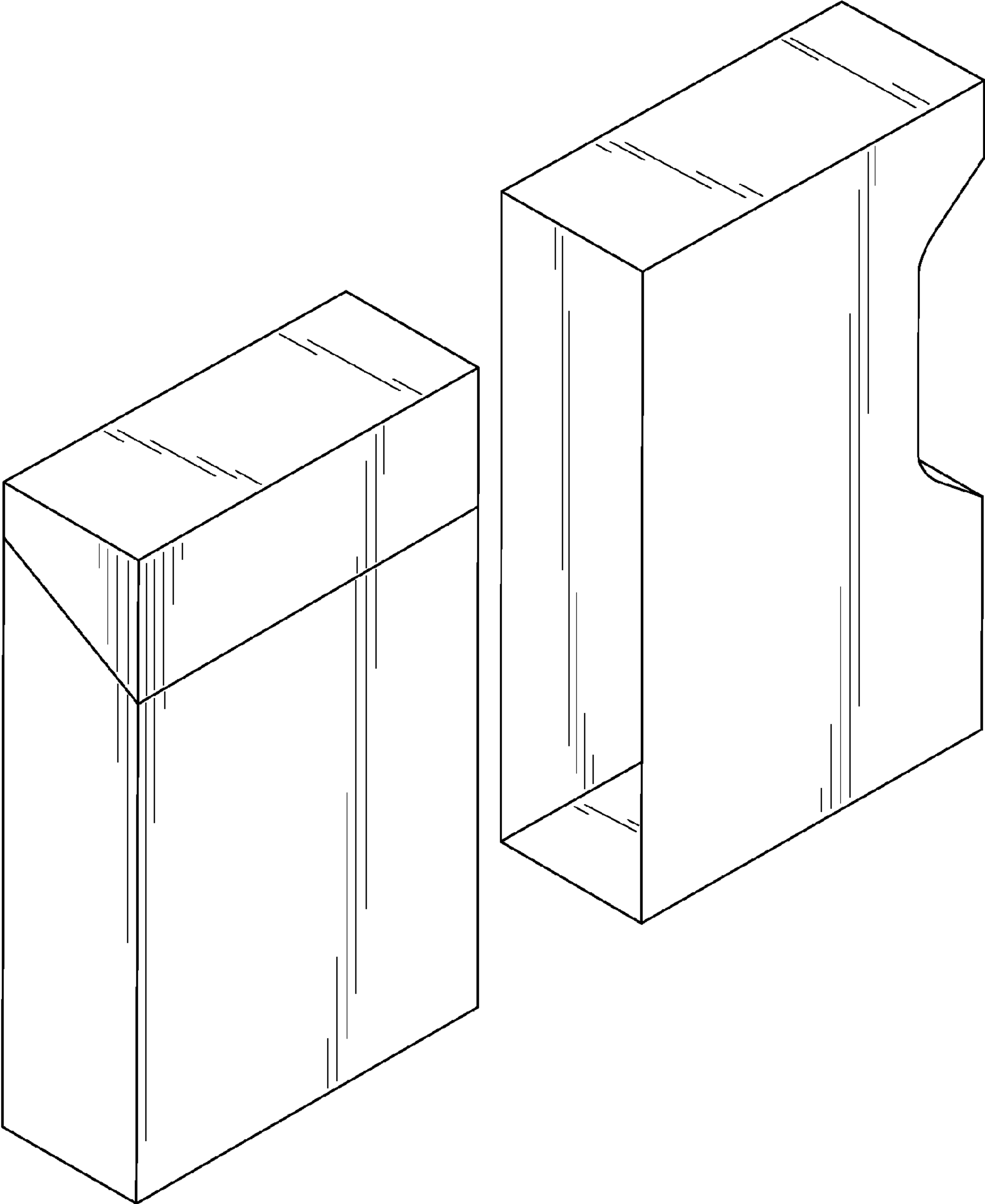


FIG. 6

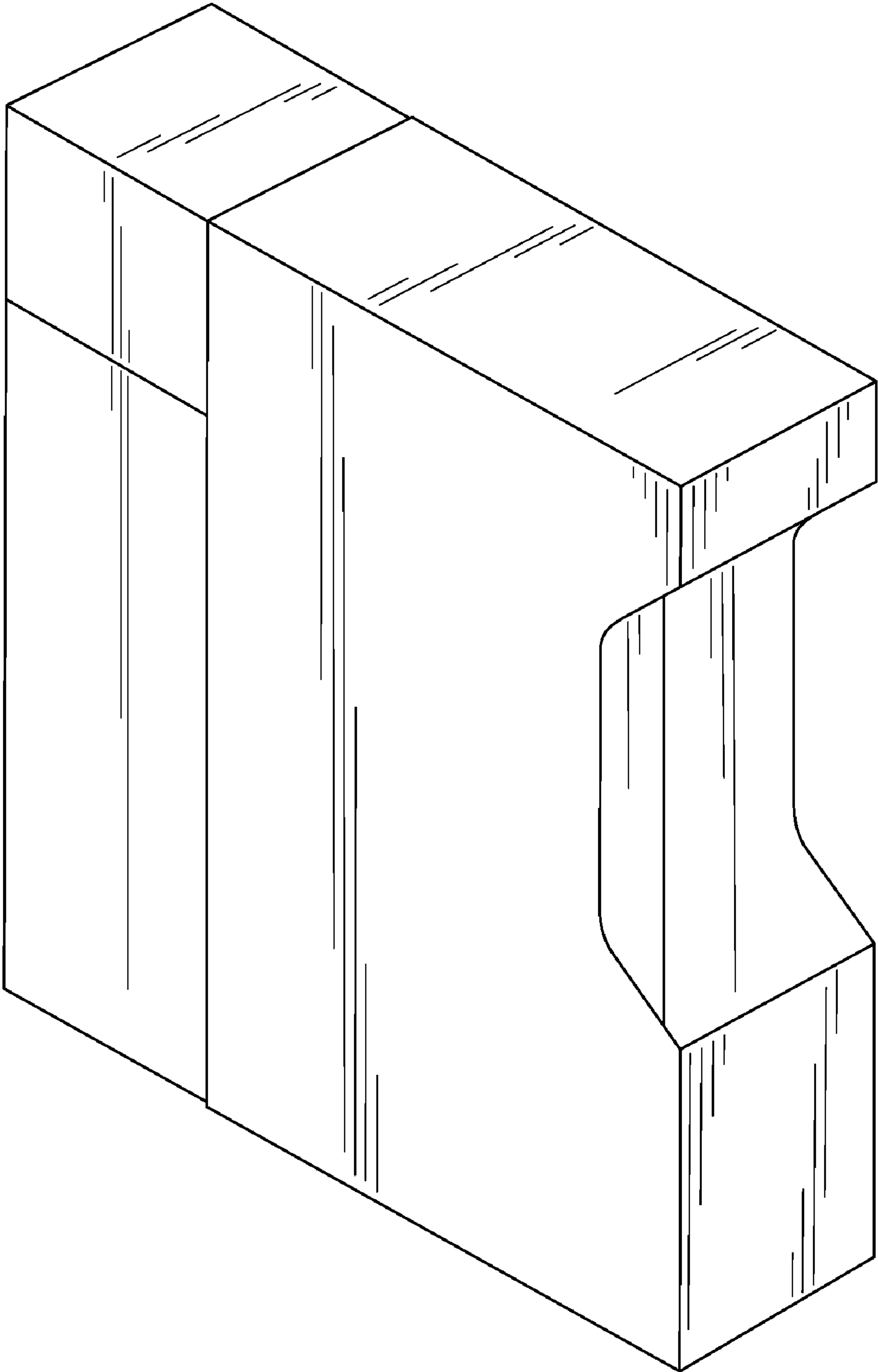


FIG. 7