



US00D593407S

(12) **United States Design Patent**  
**Seo**

(10) **Patent No.:** **US D593,407 S**  
(45) **Date of Patent:** **\*\* Jun. 2, 2009**

- (54) **PACKAGING CASE FOR COMPRESSED TISSUE**
- (76) Inventor: **Dongwon Seo**, 831, Yuksam 1-dong, Gangnam-gu, Seoul (KR) 135-936
- (\*\*) Term: **14 Years**
- (21) Appl. No.: **29/270,902**
- (22) Filed: **Jan. 4, 2007**
- (30) **Foreign Application Priority Data**  
Jul. 5, 2006 (KR) ..... 30-2006-0028625
- (51) **LOC (9) Cl.** ..... **09-03**
- (52) **U.S. Cl.** ..... **D9/428**
- (58) **Field of Classification Search** ..... D9/414-424, D9/426, 428, 430-435, 450, 456, 503, 523-525, D9/715, 719, 737, 761; D3/203.1-203.4, D3/206, 270, 294; D19/51, 84-85; D30/101; 220/253, 254.2, 326, 507, 825, 835, 263, 220/266, 787; 206/497, 533-534, 538, 583, 206/783, 515; 229/120.12, 123.2-123.3, 229/125.13-125.14, 125.35, 400-404; D7/360, D7/509-511, 538-540, 584-587, 391, 543, D7/500, 629, 602  
See application file for complete search history.

(56) **References Cited**

**U.S. PATENT DOCUMENTS**

- D19,162 S \* 6/1889 King ..... D7/523
- 604,514 A \* 5/1898 Belden ..... 215/382
- 1,331,372 A \* 2/1920 Popper ..... 220/669
- 2,707,588 A \* 5/1955 Amberg ..... 229/125.17
- 2,828,789 A \* 4/1958 Geisler et al. .... 220/783
- 3,128,029 A \* 4/1964 Price et al. .... 229/400
- 3,308,962 A \* 3/1967 Bryant ..... 211/74
- 3,443,714 A \* 5/1969 Bryant ..... 220/671
- 3,443,741 A \* 5/1969 Stockdale ..... 229/123.1
- D227,083 S \* 6/1973 Anderson et al. .... D9/416
- 3,800,469 A \* 4/1974 Lau et al. .... 47/65.5
- D234,531 S \* 3/1975 Bufton ..... D11/152
- D239,151 S \* 3/1976 Halmstad ..... D7/523
- D239,358 S \* 3/1976 Kjellqvist ..... D7/523
- 4,296,863 A \* 10/1981 Stokkers ..... 206/504
- D267,140 S \* 12/1982 Thompson ..... D7/531

- D274,695 S \* 7/1984 Kennedy ..... D9/503
- D298,719 S \* 11/1988 Beckerer, Jr. .... D7/624.2
- D303,199 S \* 9/1989 Parsons ..... D7/624.1
- 4,875,597 A \* 10/1989 Saunders ..... 220/270
- 4,875,620 A \* 10/1989 Lane, Sr. .... 229/404
- D305,003 S \* 12/1989 Hayes et al. .... D9/425
- 5,720,391 A \* 2/1998 Dohm et al. .... 206/438
- D399,450 S \* 10/1998 Durbin ..... D11/152
- D413,489 S \* 9/1999 Miller ..... D7/629
- D429,150 S \* 8/2000 Lindsay et al. .... D9/425
- D439,517 S \* 3/2001 Lindsay et al. .... D9/500
- D452,434 S \* 12/2001 Sweeney ..... D9/429
- D459,946 S \* 7/2002 Willat ..... D7/509
- 6,523,686 B1 \* 2/2003 Bae ..... 206/315.9
- D474,110 S \* 5/2003 Sweeney ..... D9/428
- D474,111 S \* 5/2003 Lazaris ..... D9/428
- D478,478 S \* 8/2003 Soohoo et al. .... D7/586
- D479,995 S \* 9/2003 Duceppe ..... D9/444
- D482,240 S \* 11/2003 Soohoo et al. .... D7/584

**FOREIGN PATENT DOCUMENTS**

- KR 10-2005-0048446 A1 5/2005
- KR 20-0395866 B1 9/2005
- KR 20-0400633 B1 11/2005

\* cited by examiner

*Primary Examiner*—Robert M Spear  
*Assistant Examiner*—Susan E Krakower

(74) *Attorney, Agent, or Firm*—Edwards Angell Palmer & Dodge LLP

(57) **CLAIM**

The ornamental design for a packaging case for compressed tissue, as shown and described.

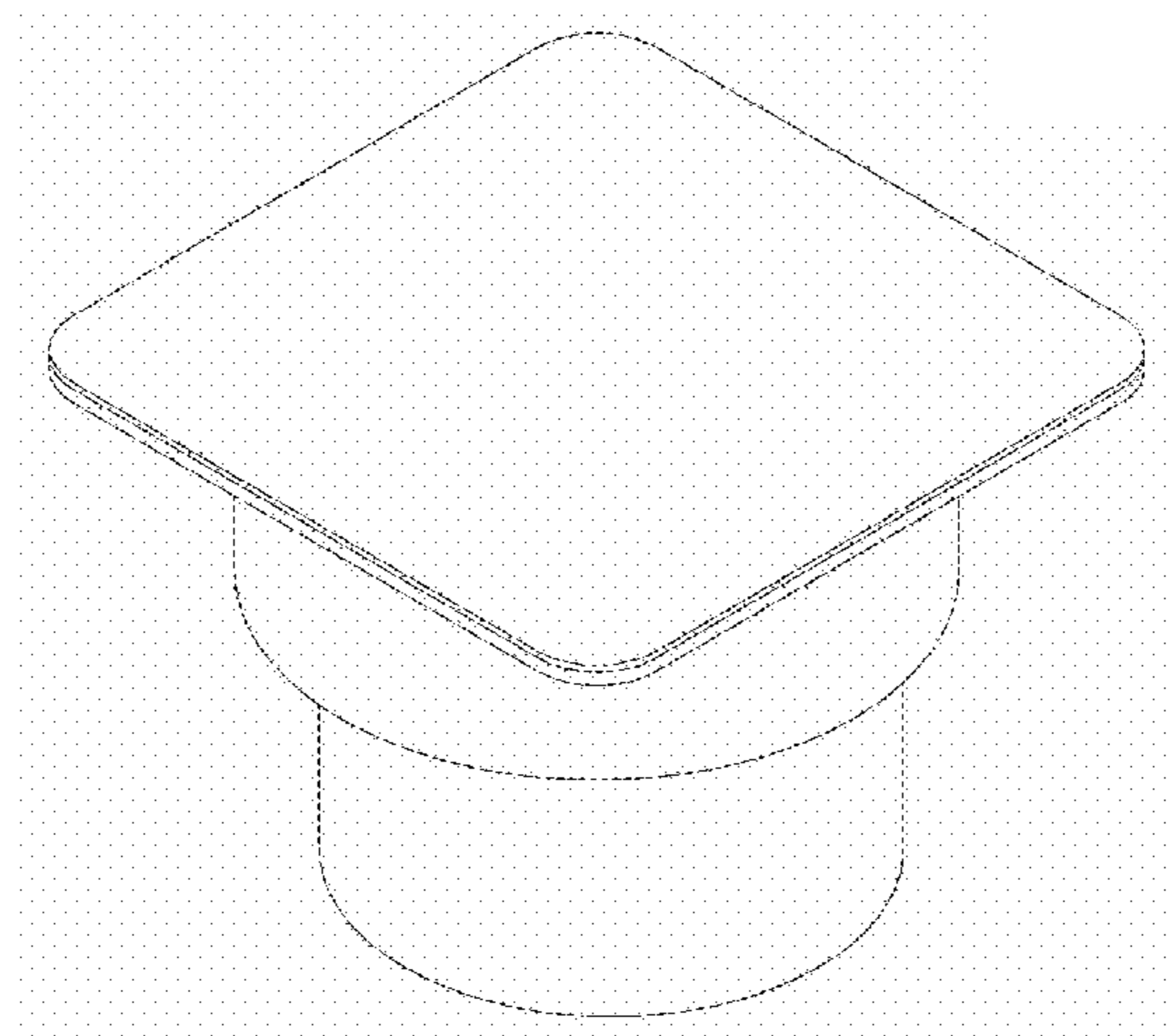
**DESCRIPTION**

FIG. 1 is a perspective view of a packaging case for compressed tissue according to the present invention.

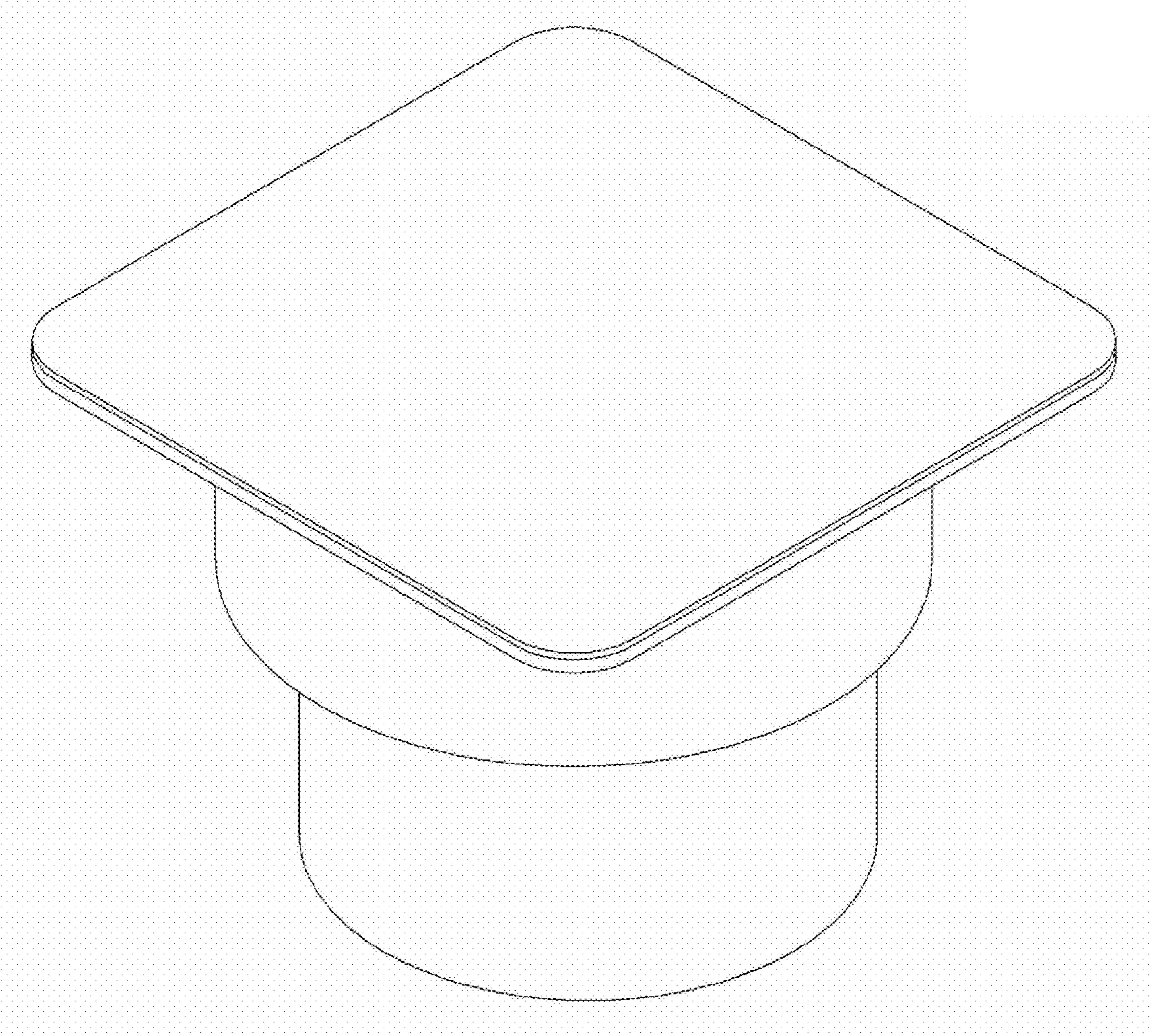
FIG. 2 is a front view of the packaging case of FIG. 1. A rear view, a left side view, and a right side view would be identical to the front view.

FIG. 3 is a top view of the packaging case of FIG. 1; and, FIG. 4 is a bottom view of the packaging case of FIG. 1.

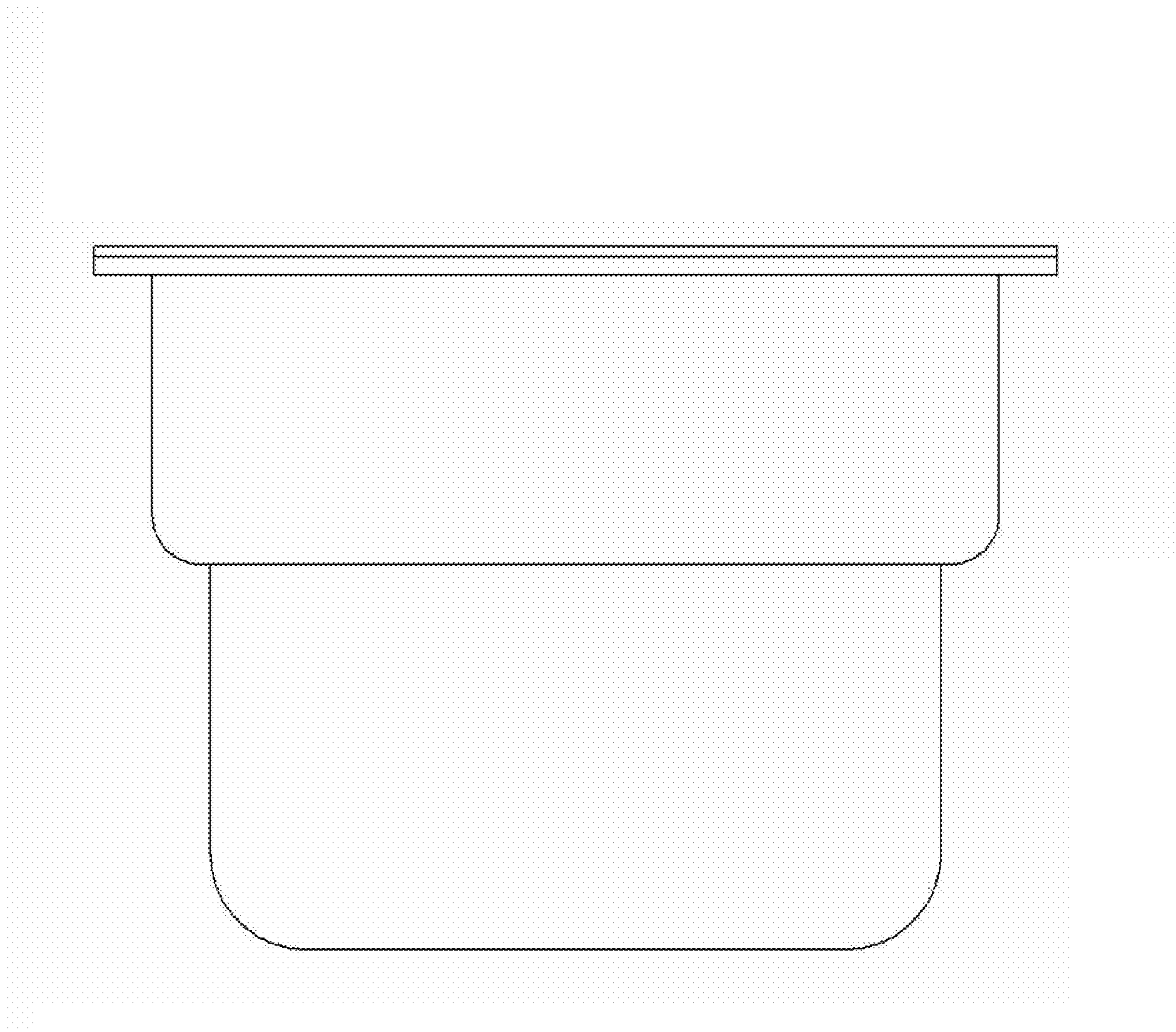
**1 Claim, 4 Drawing Sheets**



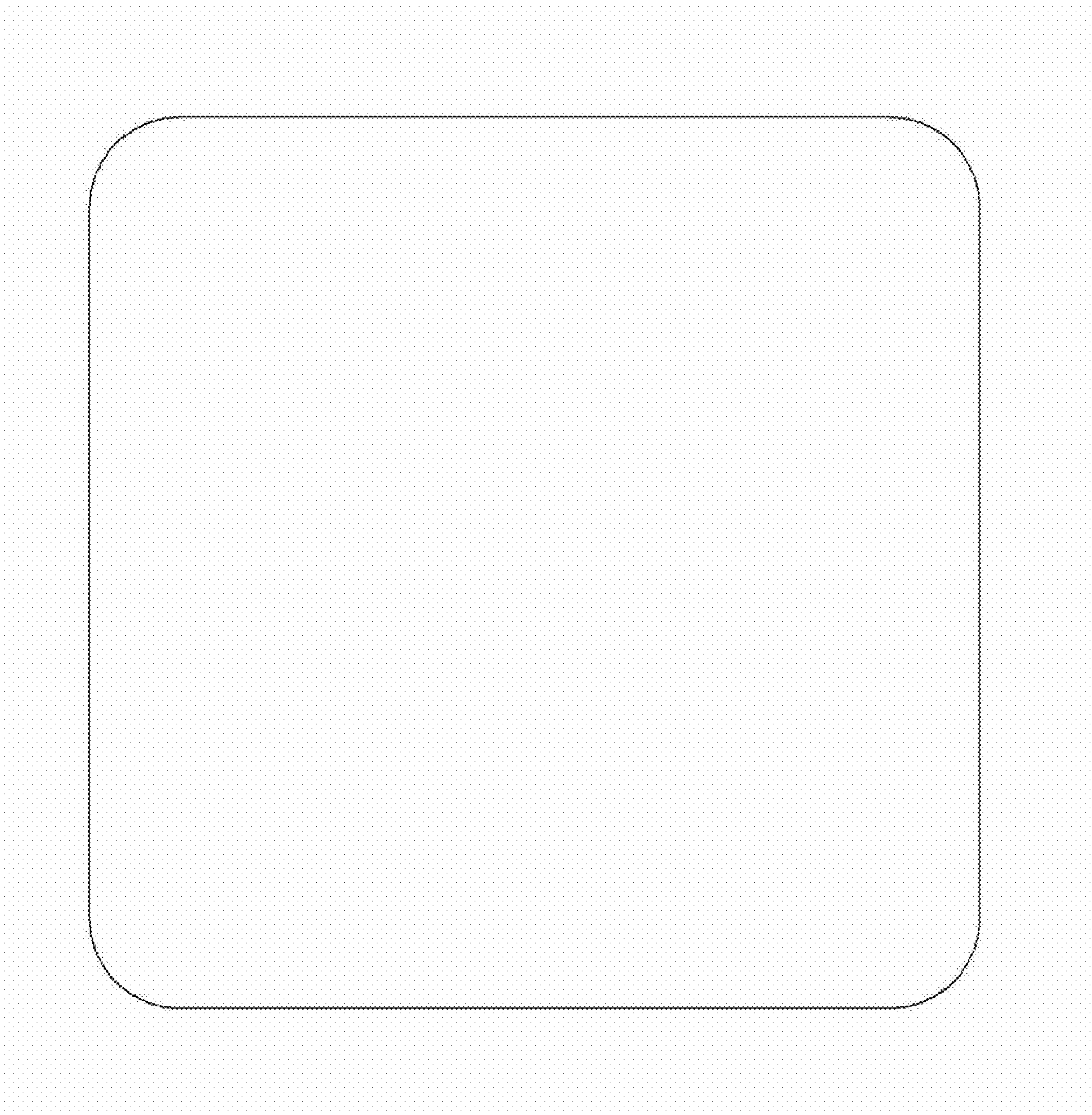
**FIG. 1**



**FIG. 2**



# FIG. 3



**FIG. 4**

