



US00D593405S

(12) **United States Design Patent**
Ma et al.

(10) **Patent No.:** **US D593,405 S**
(45) **Date of Patent:** **** Jun. 2, 2009**

(54) **MOBILE PHONE ACCESSORY PACKAGE**

(75) Inventors: **Cho-Hyang Ma**, Yongin-si (KR);
Hyun-Ho Shin, Seongnam-si (KR)

(73) Assignee: **Samsung Electronics Co., Ltd.**,
Suwon-Si (KR)

(**) Term: **14 Years**

(21) Appl. No.: **29/325,065**

(22) Filed: **Sep. 25, 2008**

(30) **Foreign Application Priority Data**

Jun. 11, 2008 (KR) 30-2008-0024874

(51) **LOC (9) Cl.** **09-03**

(52) **U.S. Cl.** **D9/415**

(58) **Field of Classification Search** D9/414-433;
206/461-471, 320, 701-703, 723-728, 806,
206/822

See application file for complete search history.

(56) **References Cited**

U.S. PATENT DOCUMENTS

3,635,331 A * 1/1972 Zucker 206/469
D278,979 S * 5/1985 Anderson et al. D9/415
D283,488 S * 4/1986 Stevens D9/415
D327,426 S * 6/1992 Karita et al. D9/415
5,979,662 A * 11/1999 Green 206/764

D438,104 S * 2/2001 Hacker et al. D9/415
D441,646 S * 5/2001 Adkins D9/415
D461,121 S * 8/2002 DiMartino D9/415
6,571,953 B2 * 6/2003 Sherline et al. 206/459.5
D532,688 S * 11/2006 Manuel et al. D9/425
2006/0278551 A1 * 12/2006 Bianchini et al. 206/463

* cited by examiner

Primary Examiner—Catherine Tuttle

(74) *Attorney, Agent, or Firm*—Staas & Halsey LLP

(57) **CLAIM**

The ornamental design for a mobile phone accessory pack-
age, as shown and described.

DESCRIPTION

FIG. 1 is a front perspective view of a mobile phone accessory
package showing our new design;

FIG. 2 is a front view of FIG. 1;

FIG. 3 is a rear view of FIG. 1;

FIG. 4 is a left-side view of FIG. 1;

FIG. 5 is a right-side view of FIG. 1;

FIG. 6 is a top plan view of FIG. 1;

FIG. 7 is a bottom plan view of FIG. 1;

FIG. 8 is a front view showing the design in an opened
position; and,

FIG. 9 is a left-side view of FIG. 8.

1 Claim, 7 Drawing Sheets

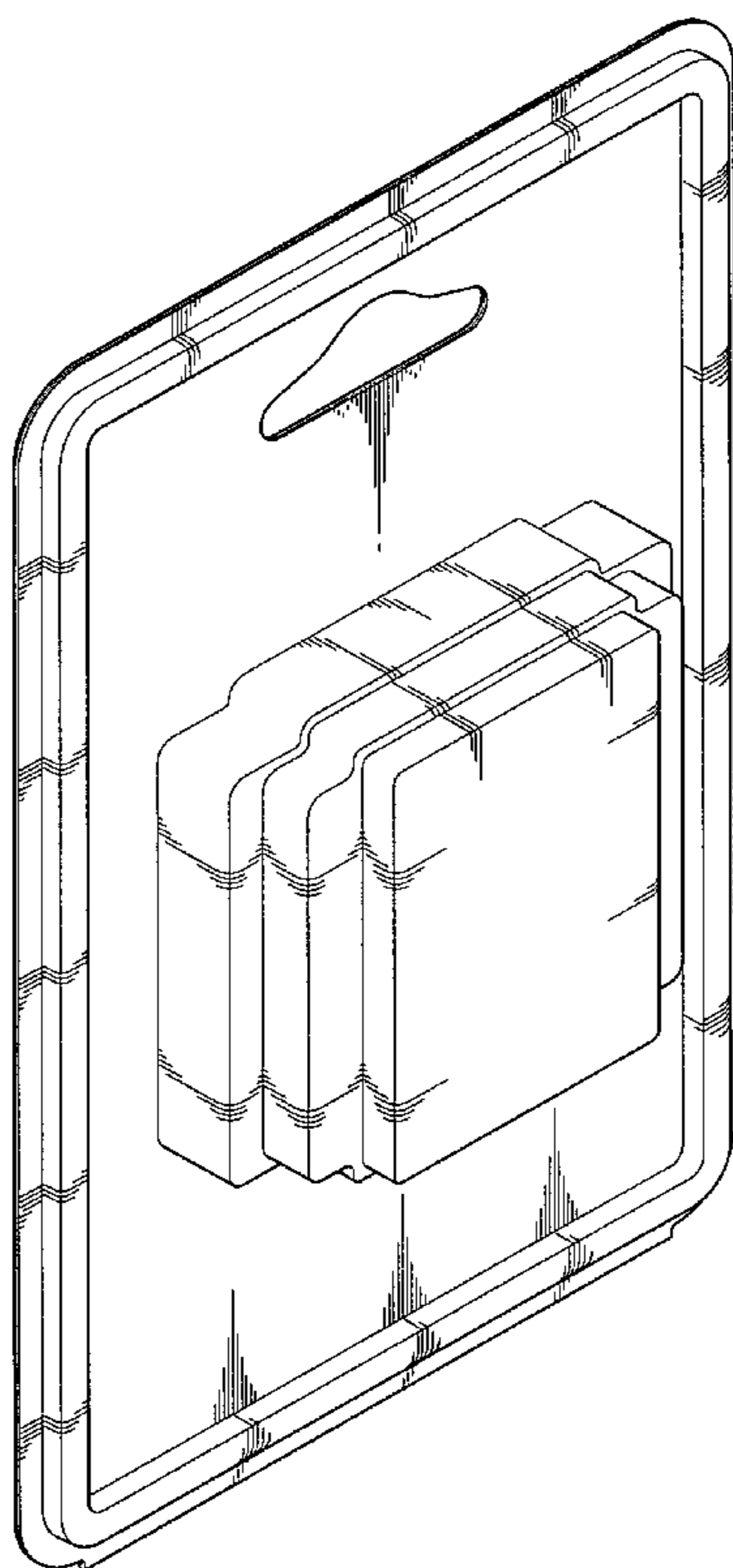


FIG. 1

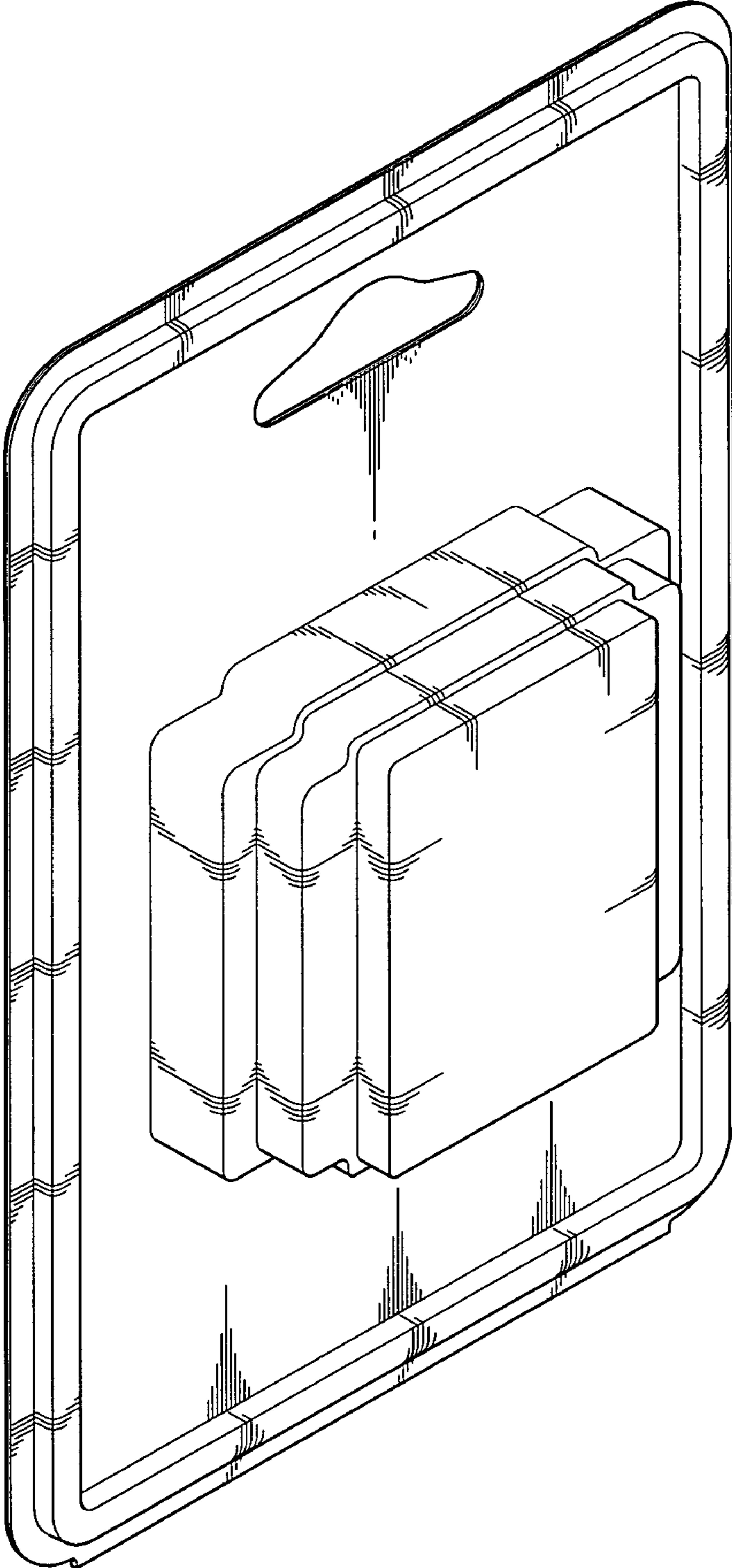


FIG. 2

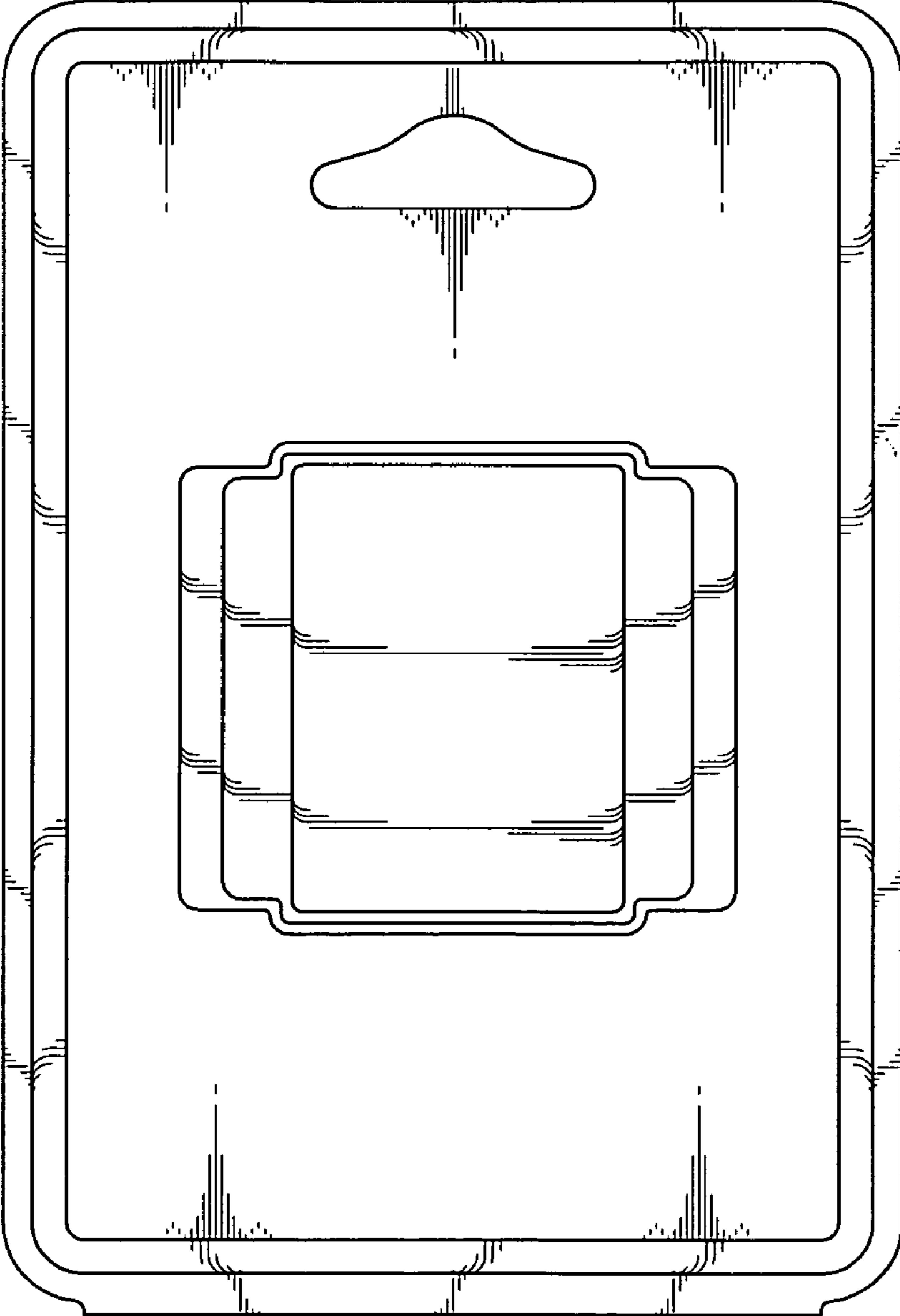


FIG. 3

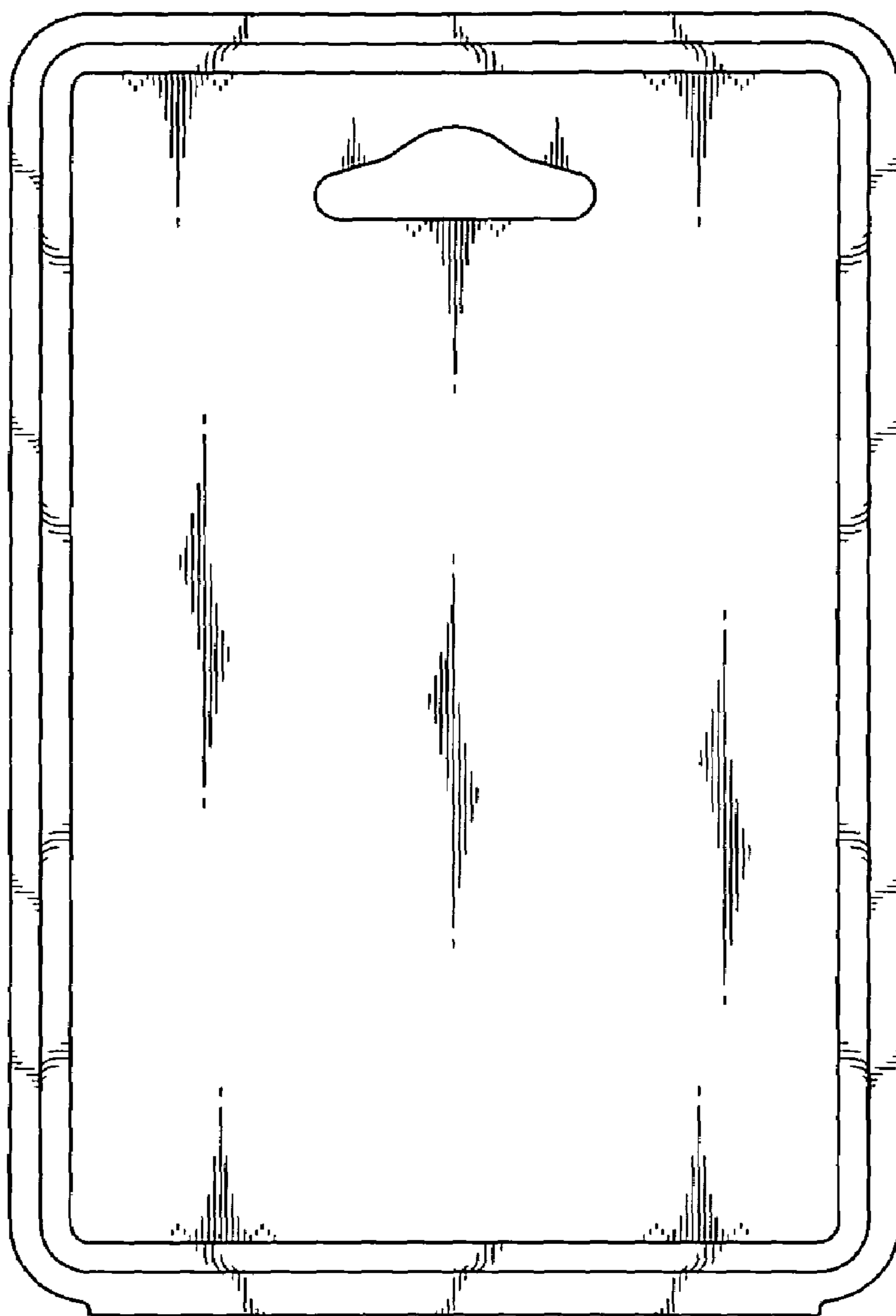


FIG. 4

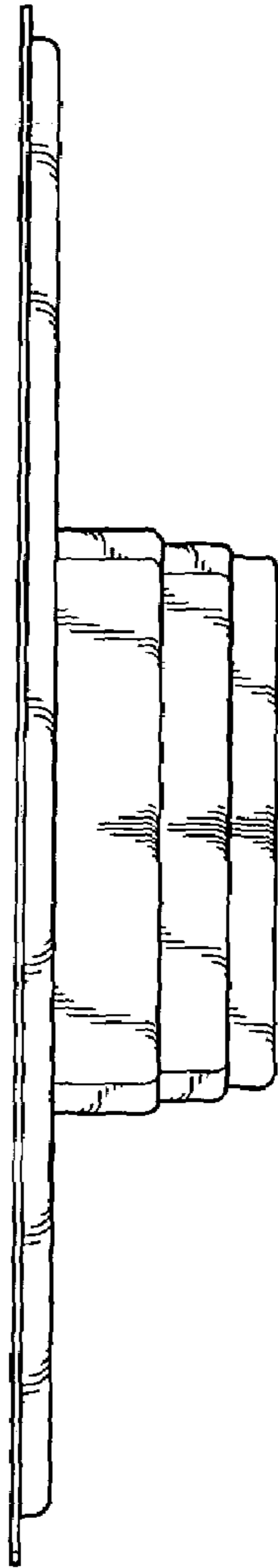


FIG. 5

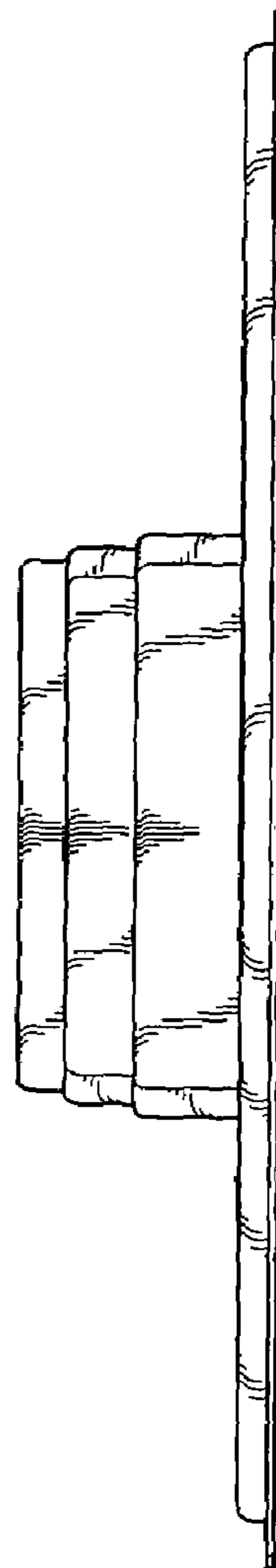


FIG. 6

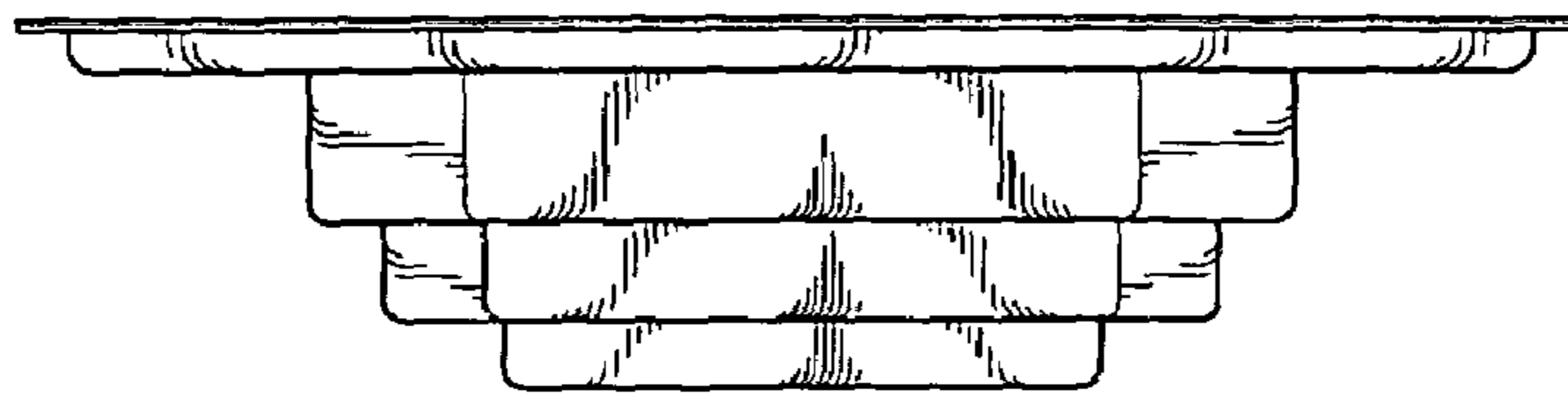


FIG. 7

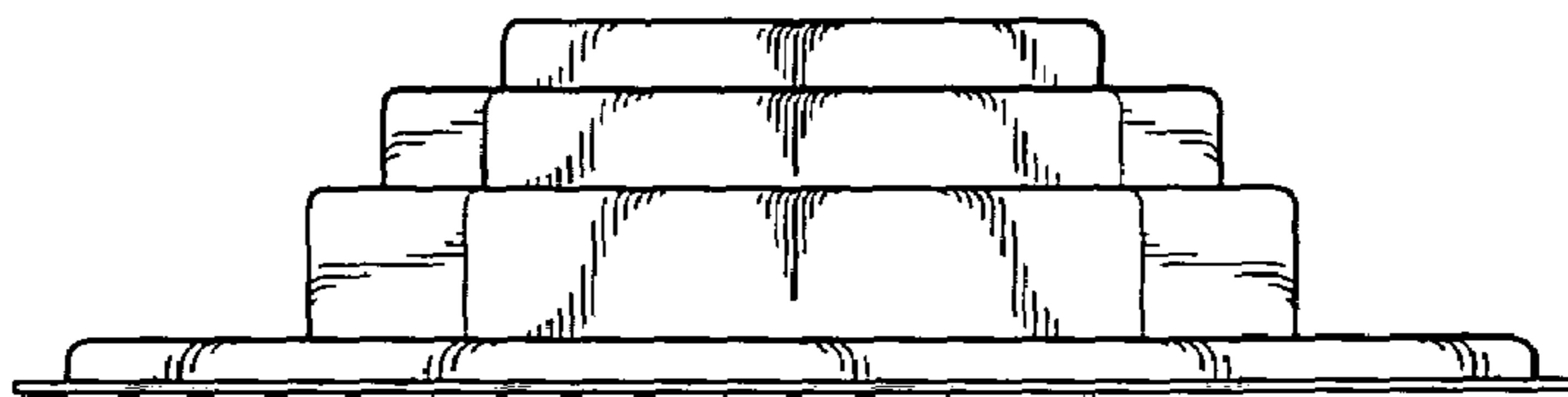


FIG. 8

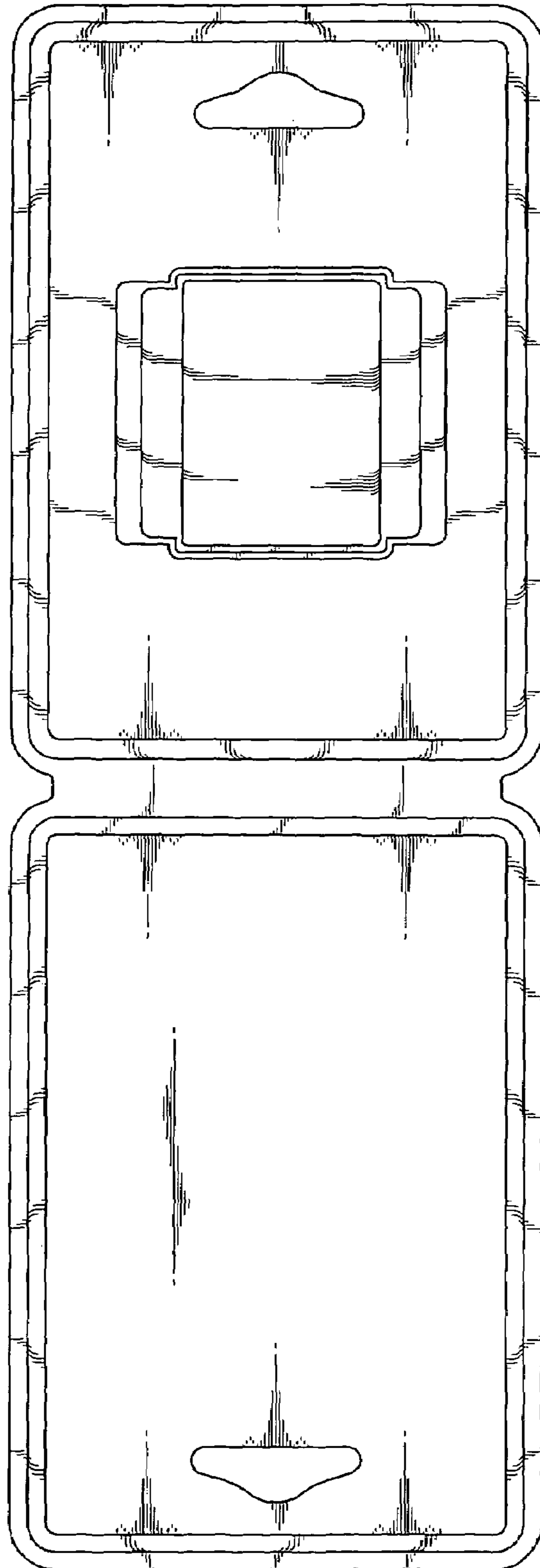


FIG. 9

