



US00D593403S

(12) **United States Design Patent**  
**Salentine**

(10) **Patent No.:** **US D593,403 S**  
(45) **Date of Patent:** **\*\* Jun. 2, 2009**

(54) **COMPACT UNIVERSAL CLIP**

(75) Inventor: **John A. Salentine**, Santa Barbara, CA  
(US)

(73) Assignee: **Hammerhead Industries, Inc.**, Ventura,  
CA (US)

(\*\*) Term: **14 Years**

(21) Appl. No.: **29/245,975**

(22) Filed: **Dec. 29, 2005**

(51) **LOC (9) Cl.** ..... **08-08**

(52) **U.S. Cl.** ..... **D8/395; D11/218**

(58) **Field of Classification Search** ..... D8/367,  
D8/382, 394, 395; 24/598.2, 599.5-599.6,  
24/599.9, 600.1, 600.4, 600.7-600.9, 601.1-601.3,  
24/265 H, 265 R; 294/82.11, 82.21, 82.25,  
294/82.31, 82.36; D11/216

See application file for complete search history.

(56) **References Cited**

**U.S. PATENT DOCUMENTS**

- D28,064 S \* 12/1897 Hubbard ..... D8/382
- D310,448 S \* 9/1990 Scognamillo et al. .... D3/207
- D340,886 S \* 11/1993 Anscher ..... D11/218
- D373,974 S \* 9/1996 Anscher ..... D11/216
- D381,936 S \* 8/1997 Anscher ..... D11/216
- D382,503 S \* 8/1997 Kalbach ..... D11/7

- D413,789 S \* 9/1999 Striebel ..... D8/367
- D446,109 S \* 8/2001 Kalbach ..... D8/367
- D462,523 S \* 9/2002 Kalbach ..... D3/327

\* cited by examiner

*Primary Examiner*—T. Chase Nelson

*Assistant Examiner*—John Windmuller

(74) *Attorney, Agent, or Firm*—Koppel, Patrick, Heybl &  
Dawson

(57) **CLAIM**

The ornamental design for a compact universal clip, as  
shown.

**DESCRIPTION**

FIG. 1 is a perspective view (top, front, left side) of a compact  
universal clip showing my new design;

FIG. 2 is a top plan view thereof;

FIG. 3 is a bottom plan view thereof;

FIG. 4 is a front elevation view thereof;

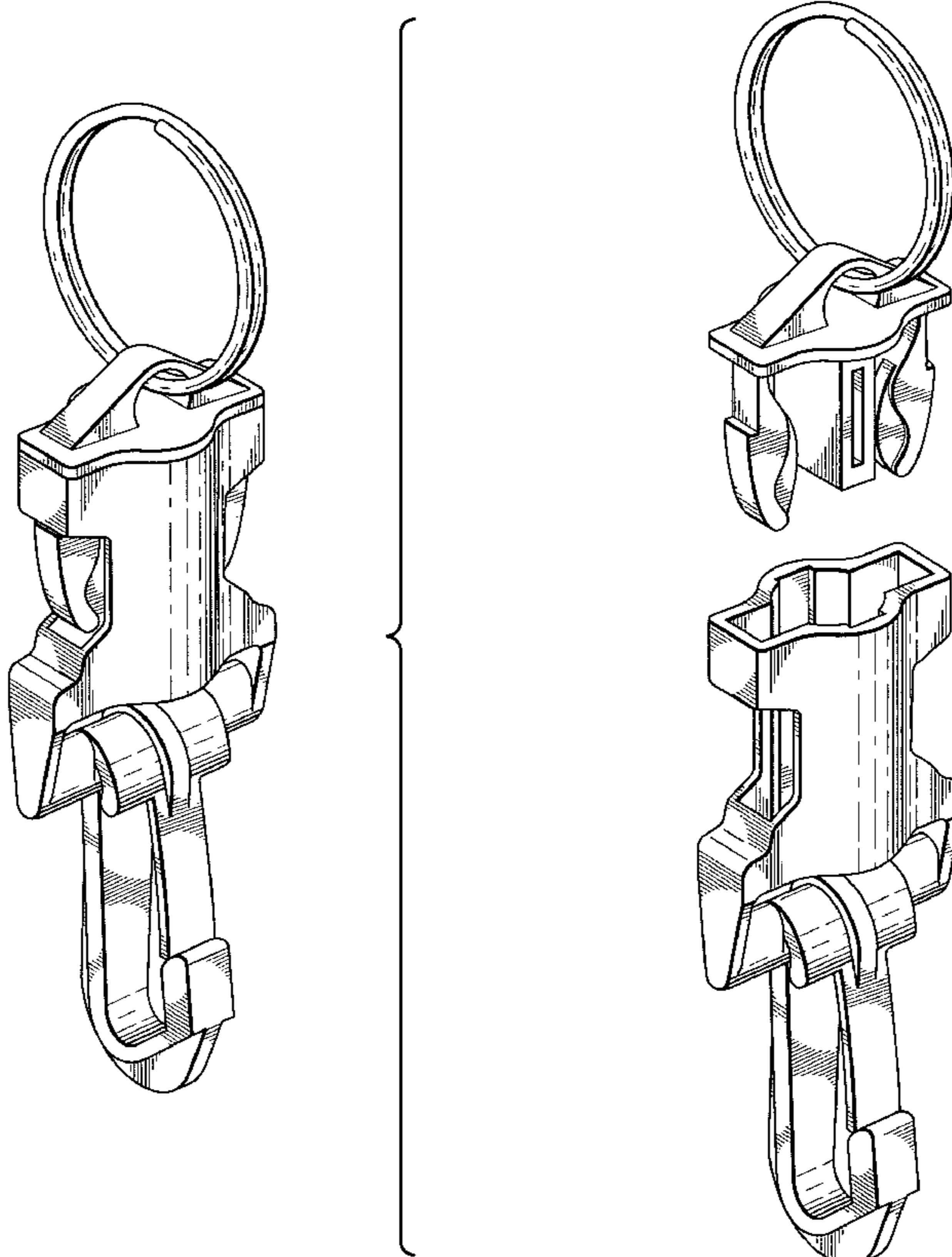
FIG. 5 is a rear elevation view thereof; and

FIG. 6 is a right side elevation view thereof; and

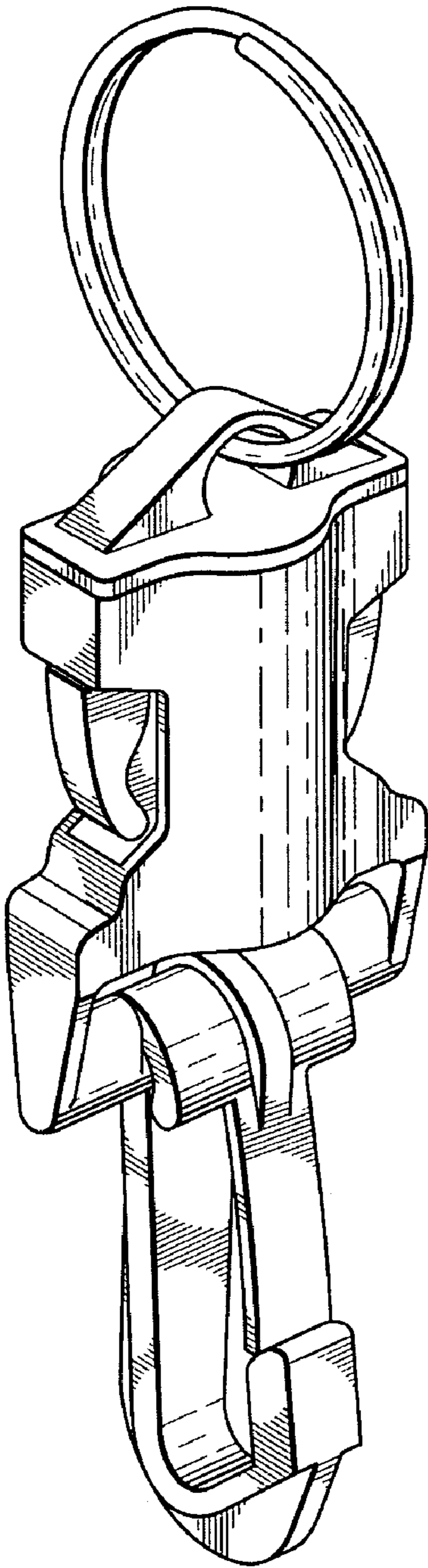
FIG. 7 is a left side elevation view thereof; and,

FIG. 8 is an exploded perspective view (top, front, left side)  
thereof.

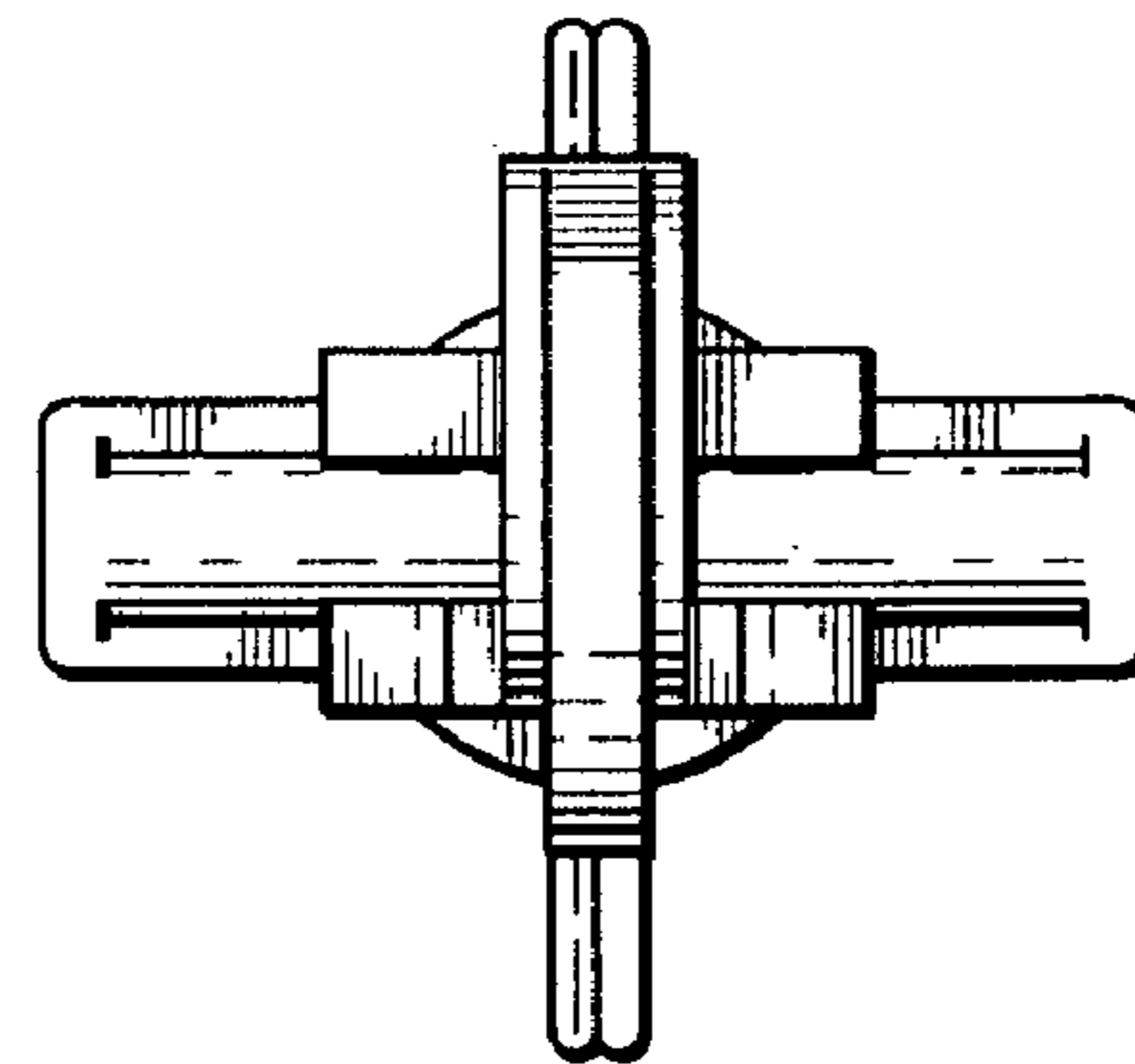
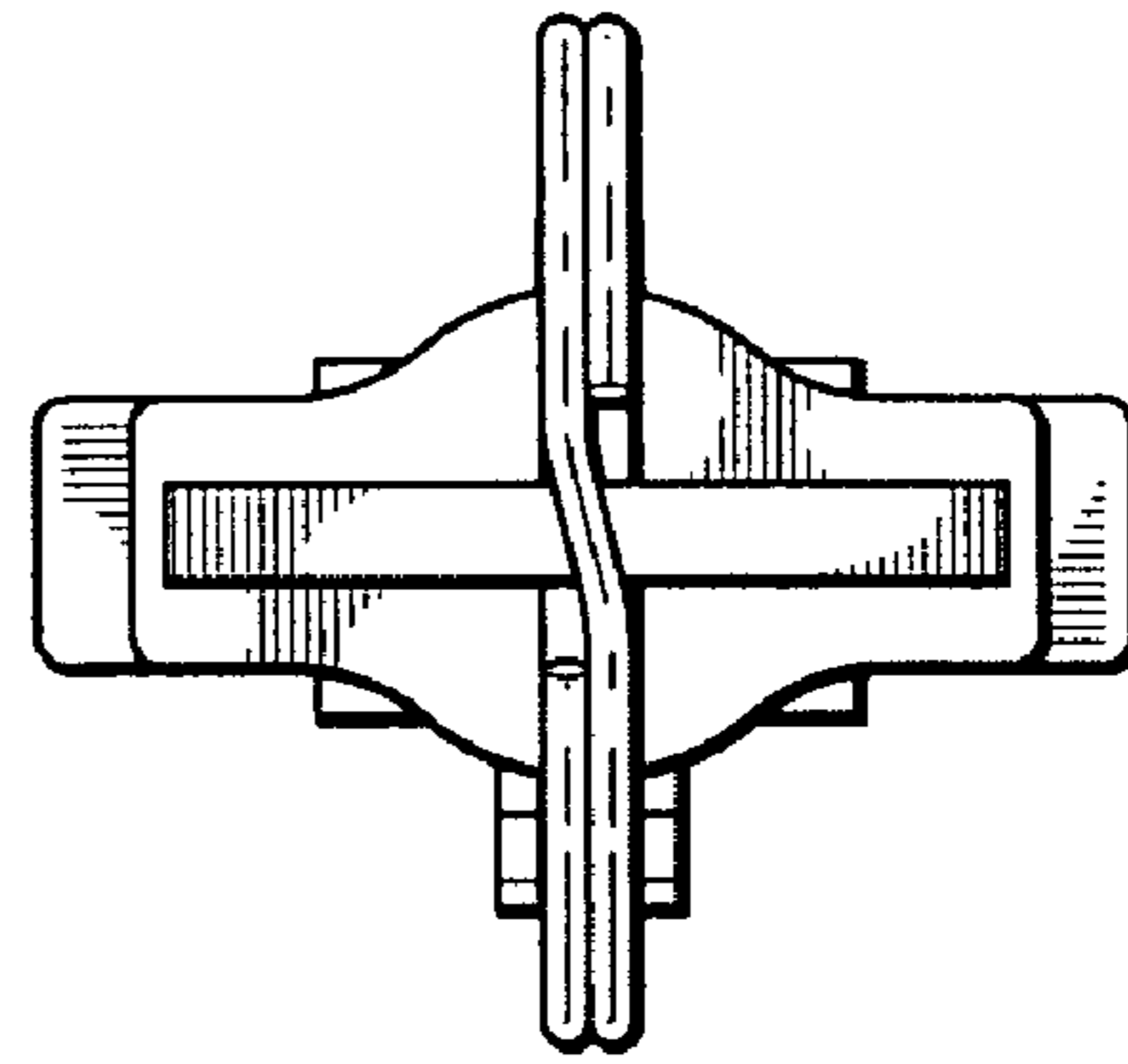
**1 Claim, 4 Drawing Sheets**



*FIG. 1*

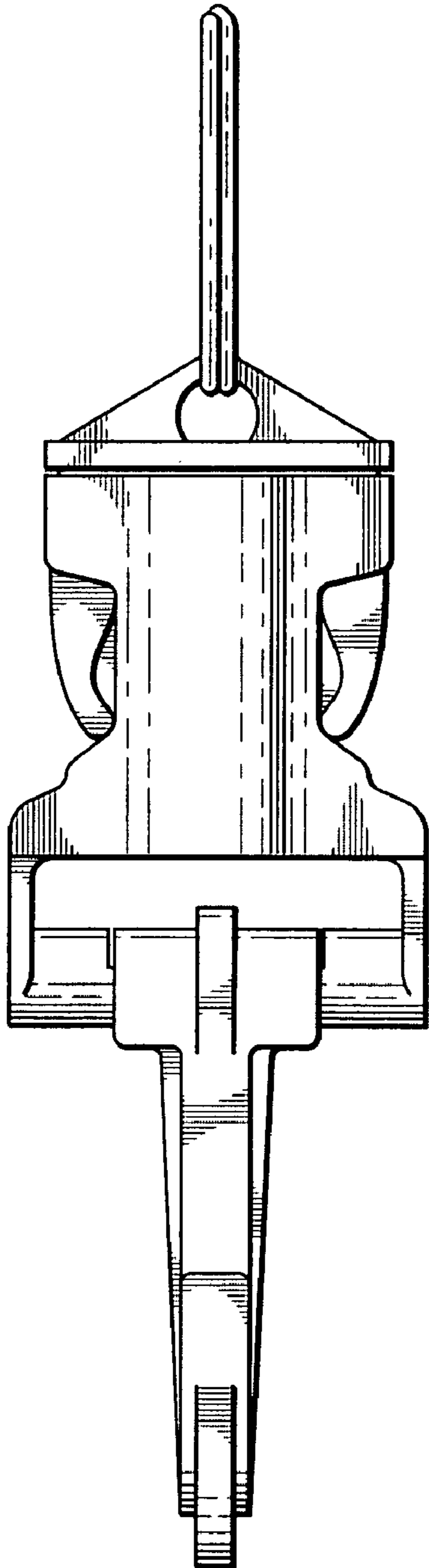


*FIG. 2*

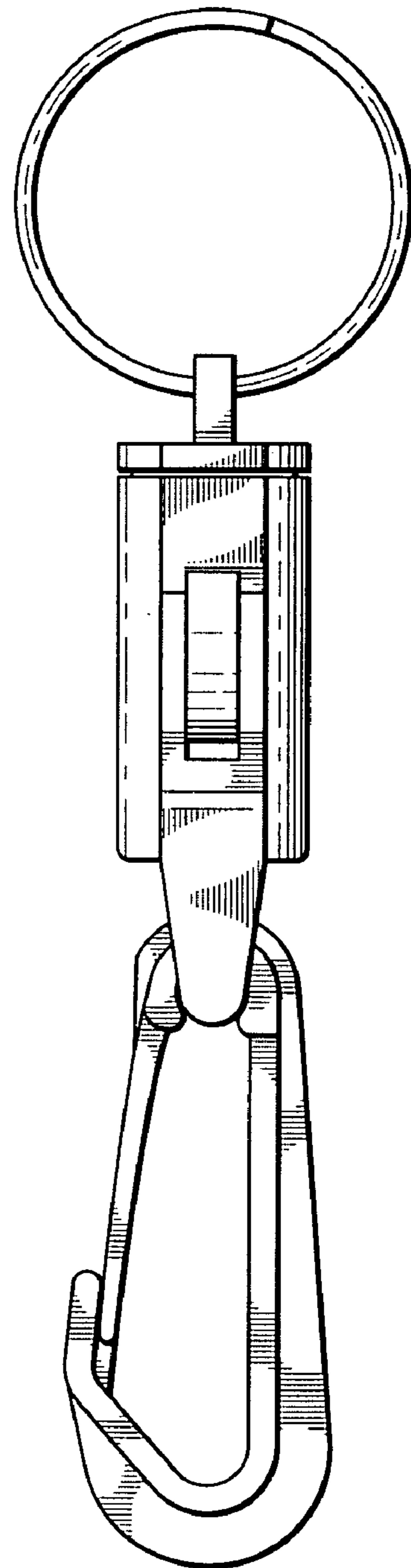


*FIG. 3*

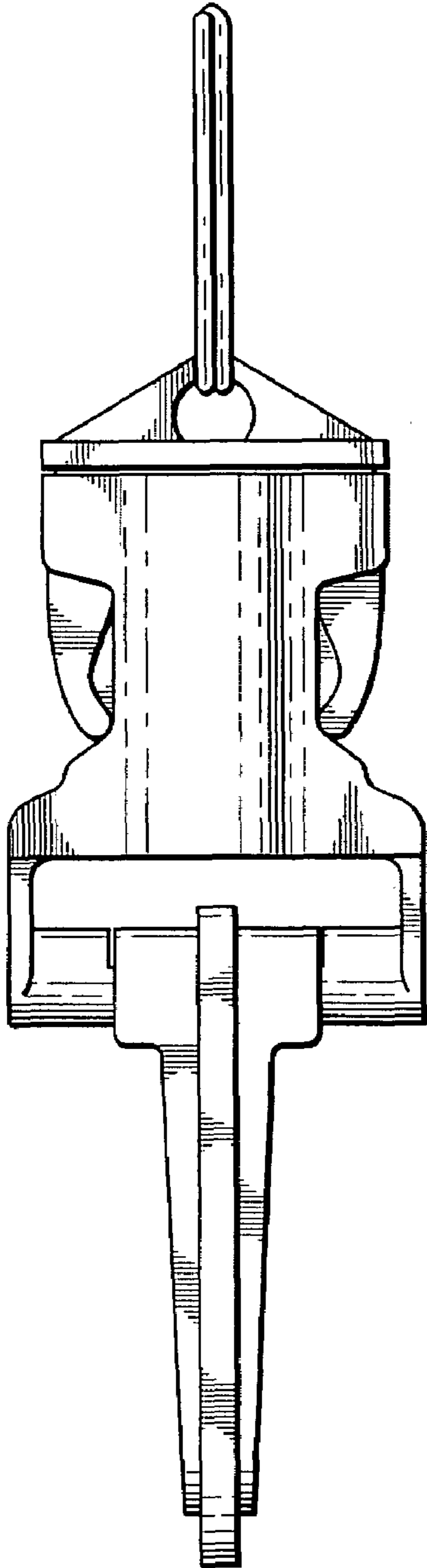
*FIG. 4*



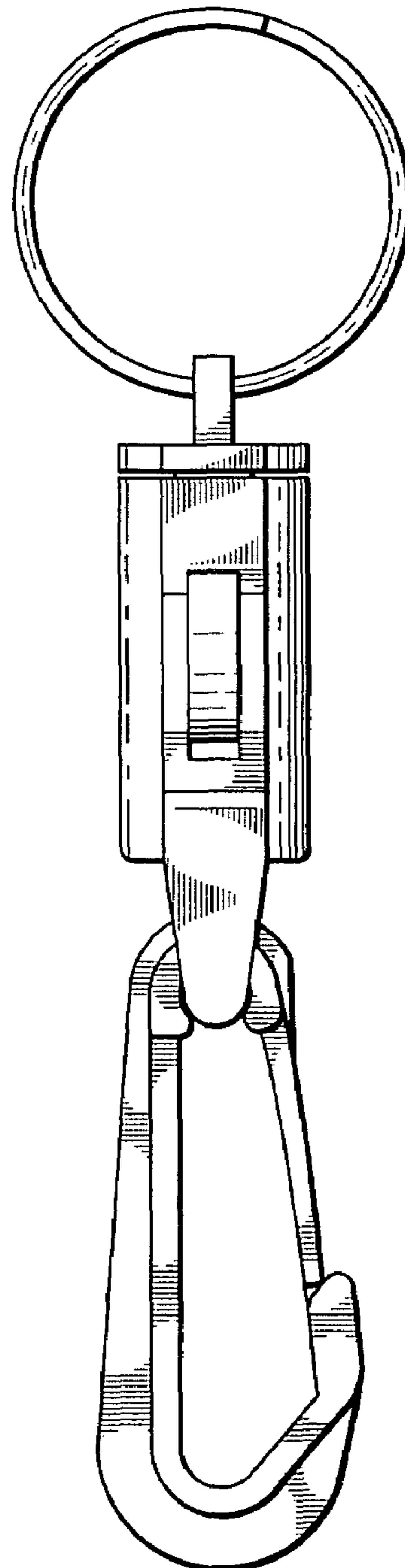
*FIG. 6*

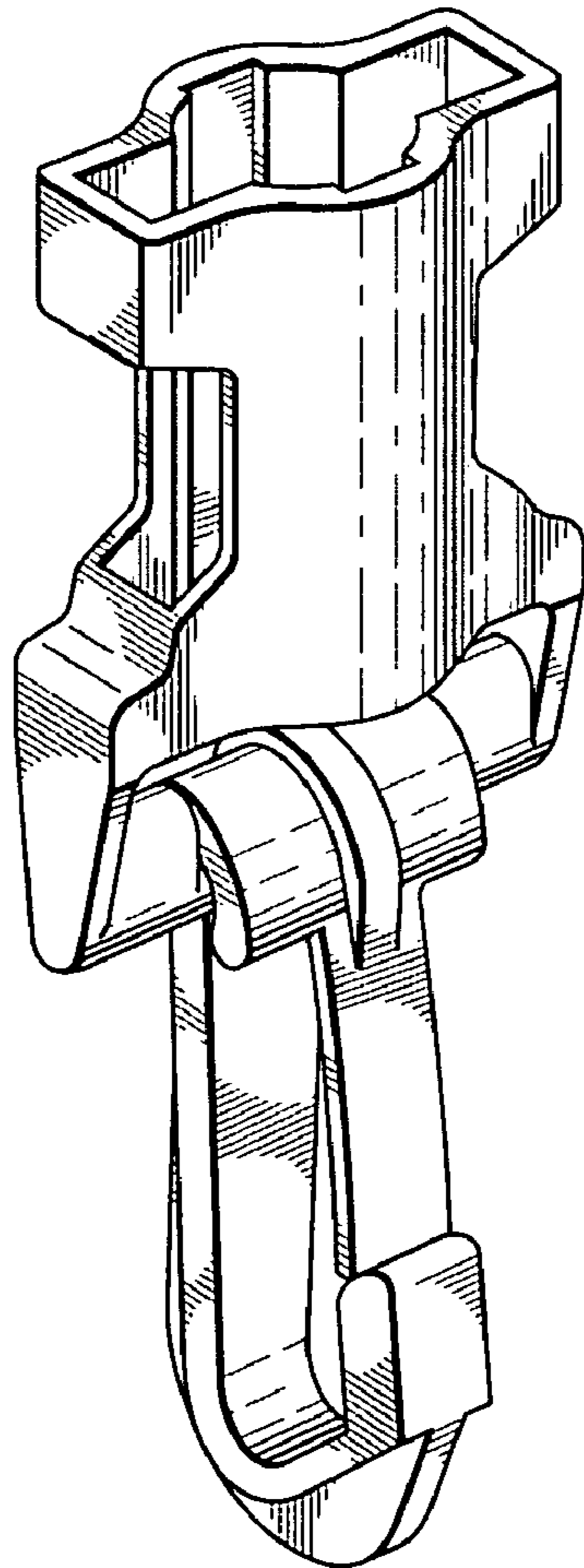
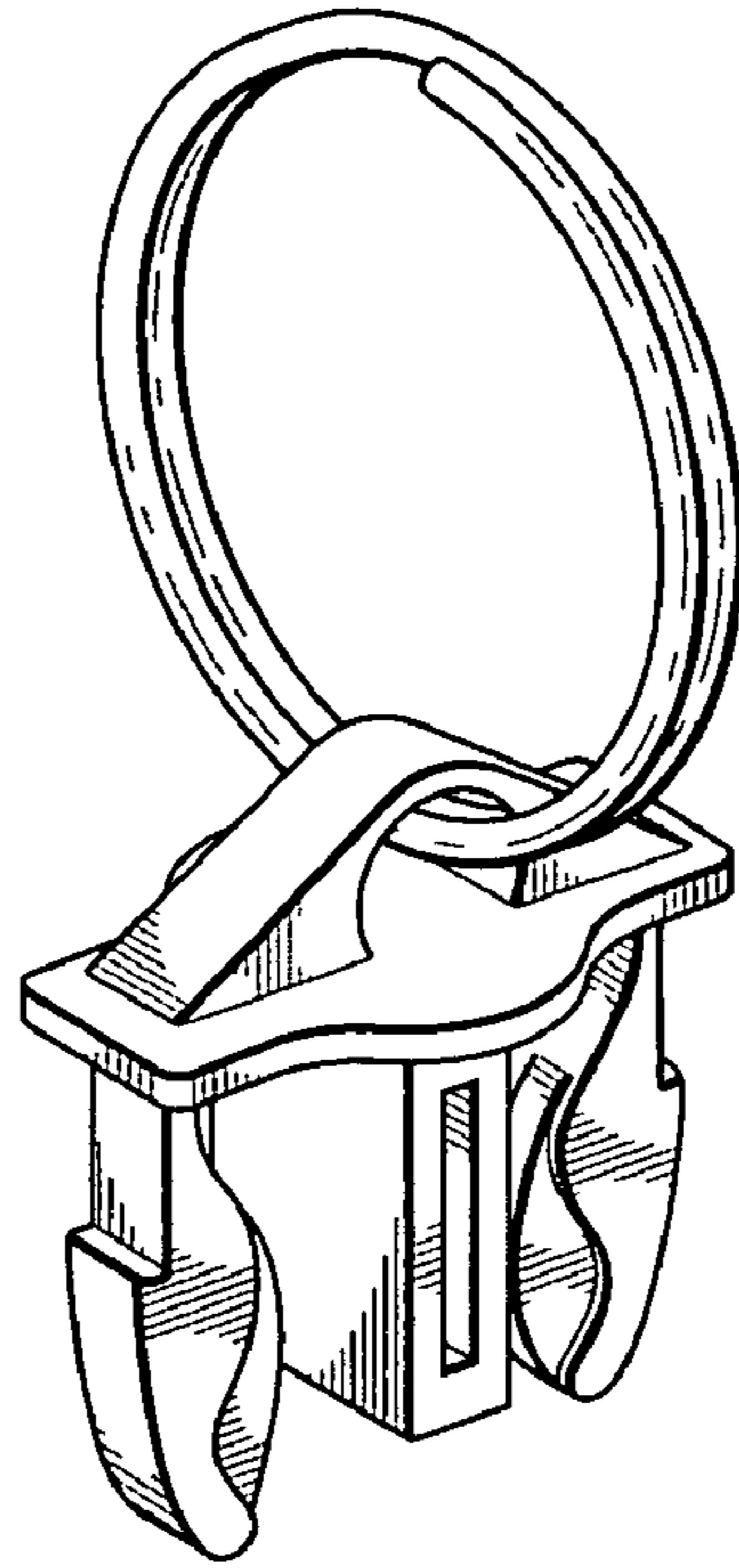


*FIG. 5*



*FIG. 7*





*FIG. 8*