



US00D593402S

(12) **United States Design Patent**  
**Smalley**

(10) **Patent No.:** **US D593,402 S**

(45) **Date of Patent:** **\*\* Jun. 2, 2009**

(54) **END CAP SHELF HANGER**

(76) Inventor: **Daniel J. Smalley**, 1 Hatch St.,  
Cumberland, RI (US) 02864

(\*\*) Term: **14 Years**

(21) Appl. No.: **29/312,641**

(22) Filed: **Nov. 5, 2008**

(51) **LOC (9) Cl.** ..... **08-05**

(52) **U.S. Cl.** ..... **D8/381; D8/372**

(58) **Field of Classification Search** ..... D8/40,  
D8/394, 381, 380, 373, 366, 354, 353, 349,  
D8/404; D25/132, 131, 126, 119; 52/687,  
52/686, 506.07, 506.06, 426; 248/267, 265,  
248/208, 243, 220.22; 211/59.1

See application file for complete search history.

(56) **References Cited**

**U.S. PATENT DOCUMENTS**

3,985,325	A *	10/1976	Ginsburg et al.	.....	248/220.22
5,109,992	A *	5/1992	Miller	.....	248/220.22
D442,076	S *	5/2001	Swanson	.....	D8/373
D565,400	S *	4/2008	Belokin	.....	D8/380
7,428,972	B2 *	9/2008	Warner et al.	.....	211/59.1

\* cited by examiner

*Primary Examiner*—Susan Bennett Hattan  
*(74) Attorney, Agent, or Firm*—Robert J Doherty

(57) **CLAIM**

The ornamental design for an end cap shelf hanger, as shown and described.

**DESCRIPTION**

FIG. 1 is a front perspective view of an end cap shelf hanger showing my new design;

FIG. 2 is a front perspective view similar to FIG. 1 with the shelf removed from the hanger;

FIG. 3 is a front perspective view of the hanger shown in FIG. 1;

FIG. 4 is a front elevational view of FIG. 1;

FIG. 5 is a rear elevational view thereof;

FIG. 6 is a bottom plan view thereof;

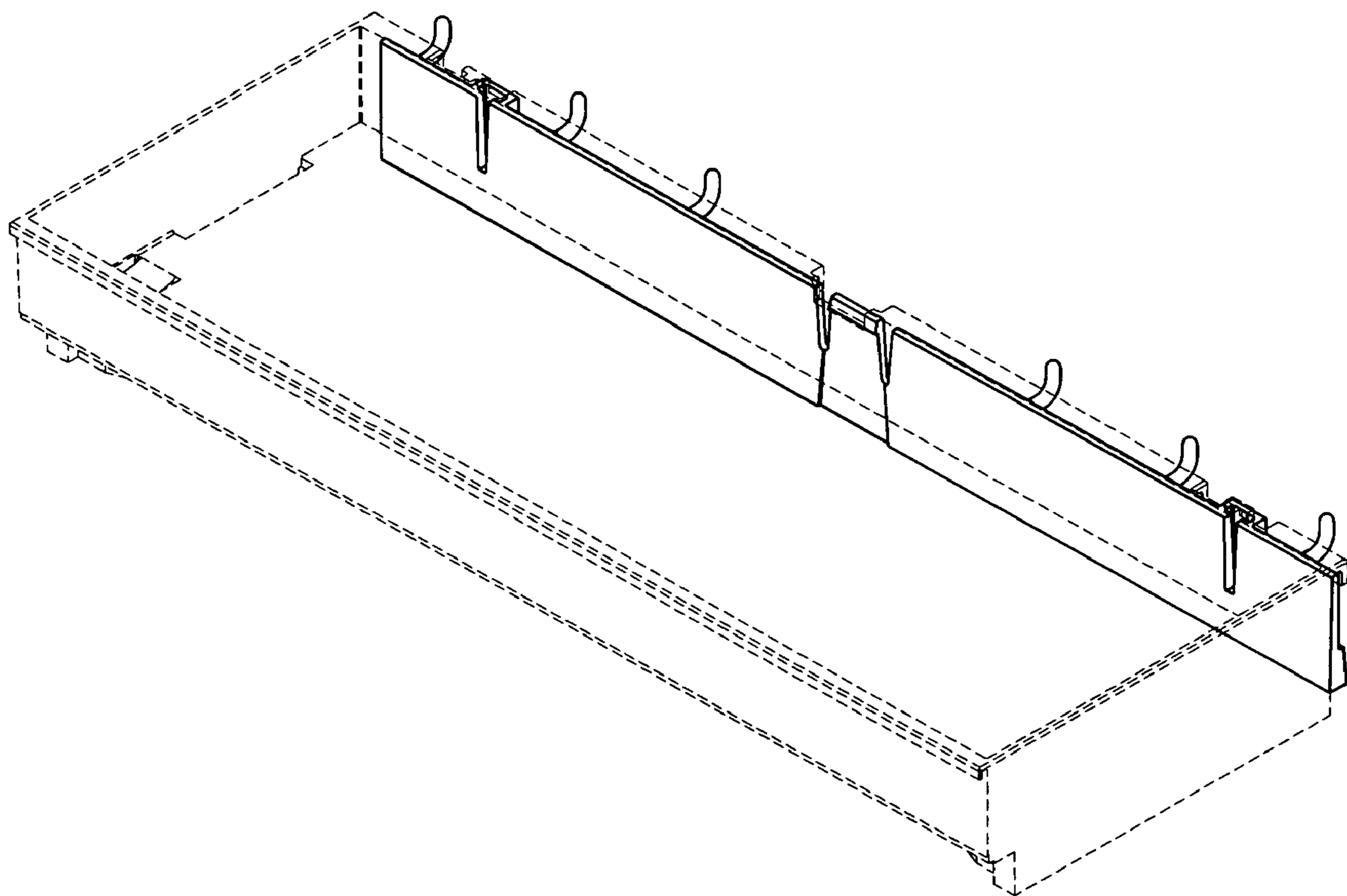
FIG. 7 is a top plan view thereof;

FIG. 8 is a left side elevational view thereof; and,

FIG. 9 is a right side elevational view thereof.

The broken lines are included for the purpose of illustration a shelf that forms no part of the claimed design.

**1 Claim, 5 Drawing Sheets**



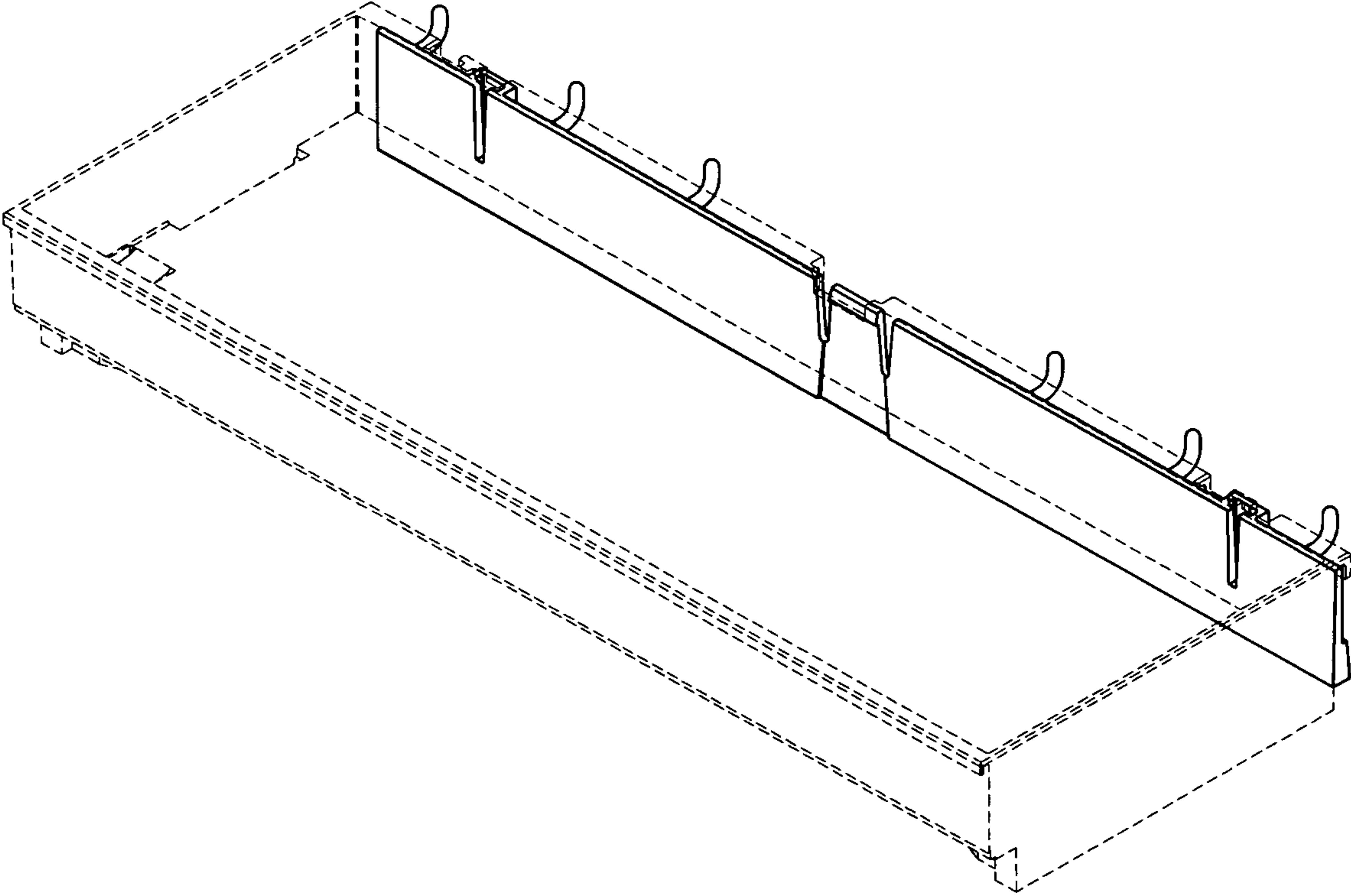


FIG. 1

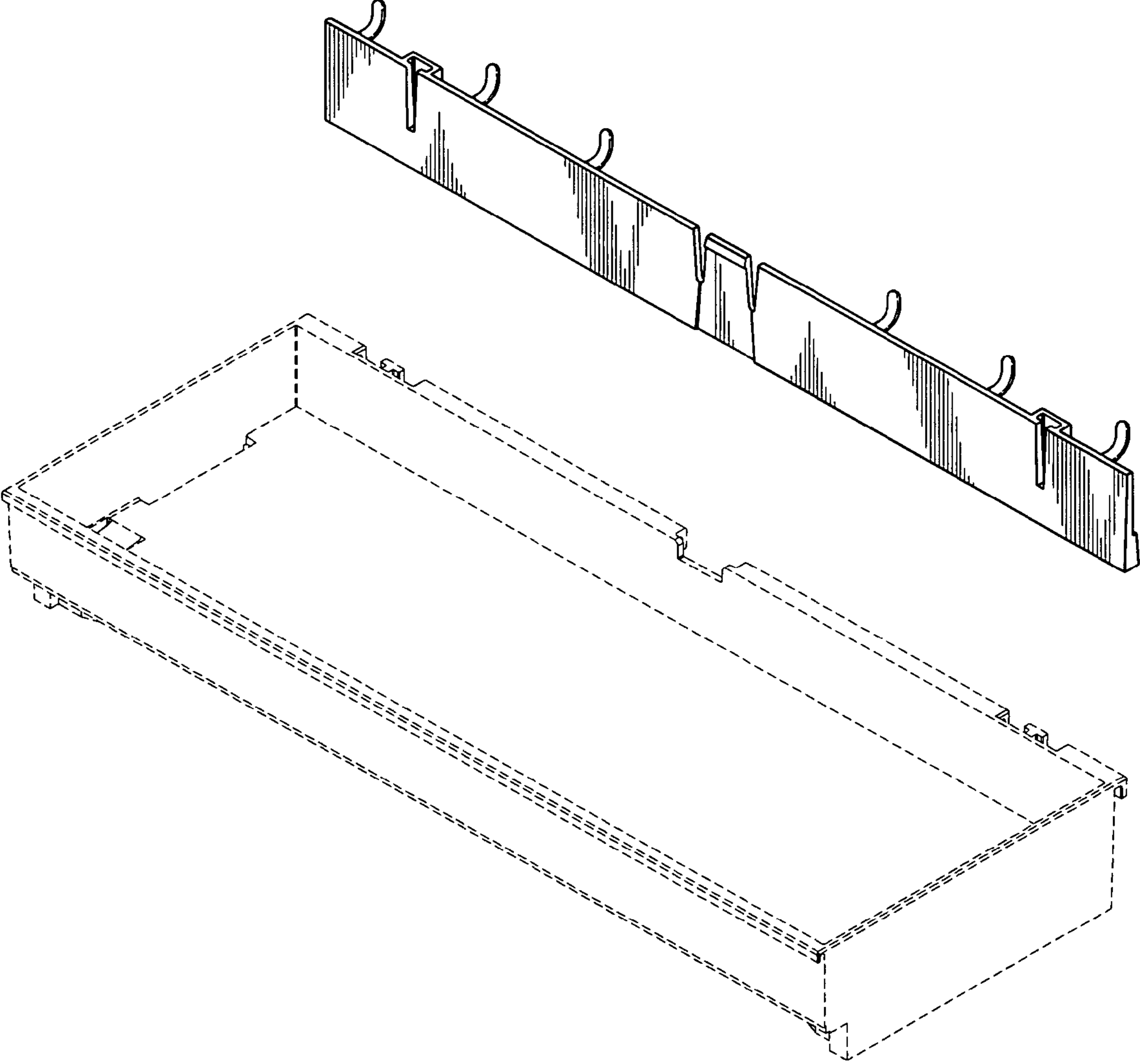


FIG. 2

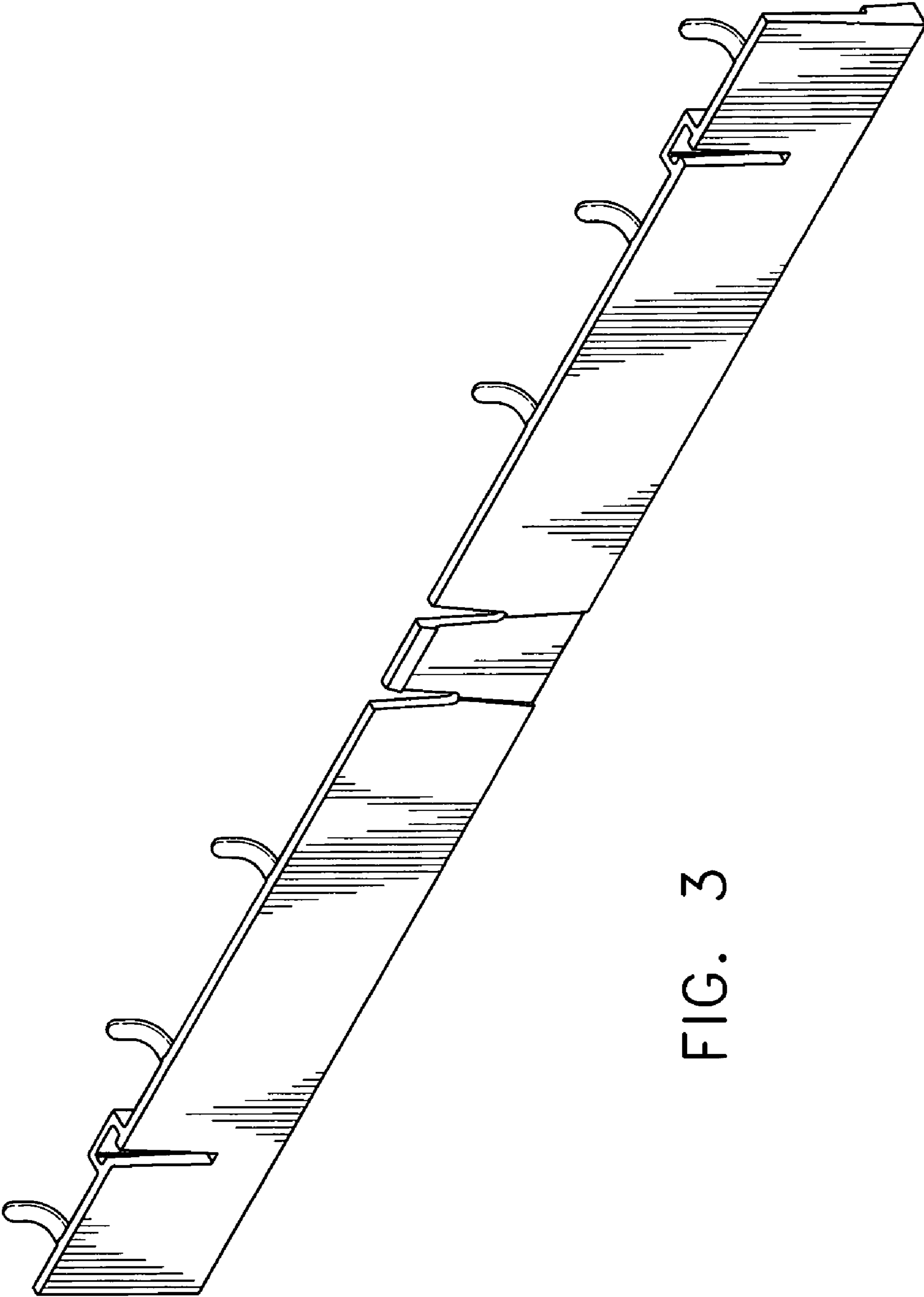


FIG. 3

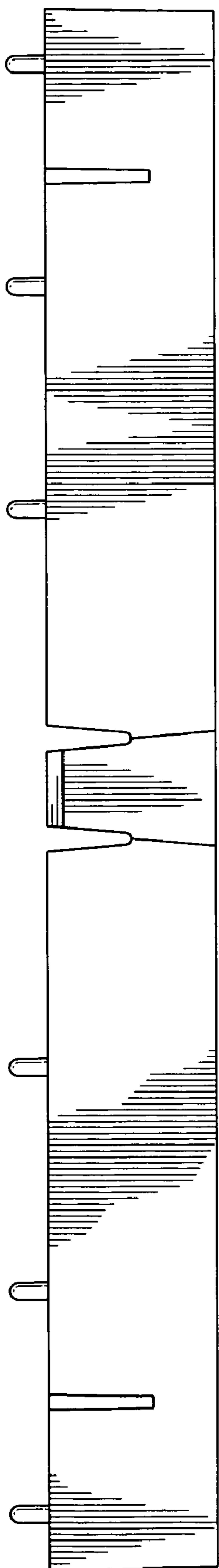


FIG. 4

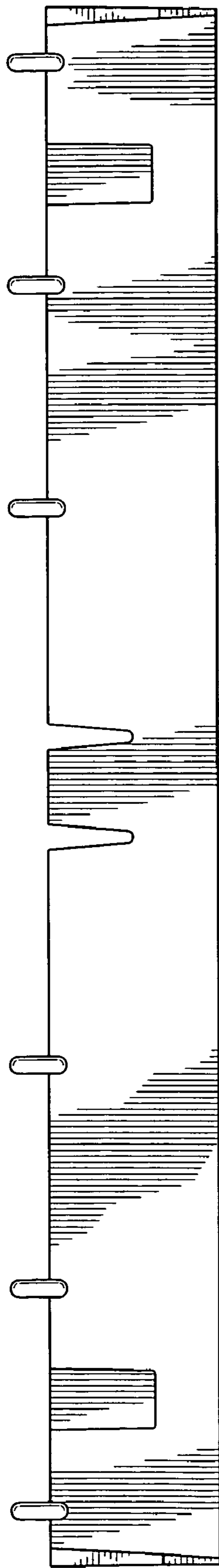


FIG. 5

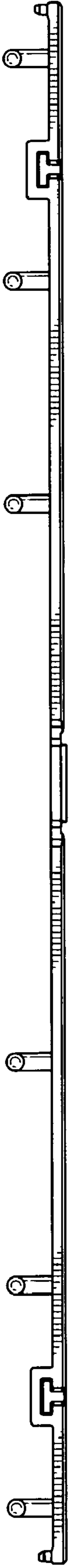


FIG. 6

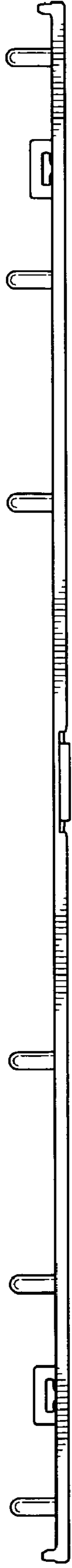


FIG. 7



FIG. 9



FIG. 8