



US00D593401S

(12) **United States Design Patent**  
**Sato**

(10) **Patent No.:** **US D593,401 S**  
(45) **Date of Patent:** **\*\* Jun. 2, 2009**

(54) **COVER FOR SHELF SUPPORTER**

(75) Inventor: **Genichi Sato**, Tokyo (JP)

(73) Assignee: **Sugatsune Kogyo Co., Ltd.**, Tokyo (JP)

(\*\*) Term: **14 Years**

(21) Appl. No.: **29/293,768**

(22) Filed: **Dec. 11, 2007**

(30) **Foreign Application Priority Data**

Jun. 21, 2007 (JP) ..... 2007-016598

(51) **LOC (9) Cl.** ..... **08-05**

(52) **U.S. Cl.** ..... **D8/381**

(58) **Field of Classification Search** ..... D8/40,  
D8/394, 381, 380, 373, 366, 354, 353, 349,  
D8/404; D25/132, 131, 126, 119; 52/687,  
52/686, 506.07, 506.06, 426; 248/267, 265,  
248/208, 243, 220.22; 211/59.1; D9/447,  
D9/435, 434

See application file for complete search history.

(56) **References Cited**

**U.S. PATENT DOCUMENTS**

D136,689 S \* 11/1943 Teninty ..... D8/380  
D178,439 S \* 7/1956 Waller ..... D8/394

D408,272 S \* 4/1999 Caron et al. .... D8/381  
D482,954 S \* 12/2003 Hoernig ..... D8/381

\* cited by examiner

*Primary Examiner*—Susan Bennett Hattan

(74) *Attorney, Agent, or Firm*—Osha • Liang LLP

(57) **CLAIM**

The ornamental design for a cover for shelf supporter, as shown and described.

**DESCRIPTION**

FIG. 1 is a perspective view of the front, right and top plan of a cover for shelf supporter showing my new design;

FIG. 2 is a front view thereof;

FIG. 3 is a rear view thereof;

FIG. 4 is a top plan view thereof;

FIG. 5 is a bottom view thereof;

FIG. 6 is a right side view thereof;

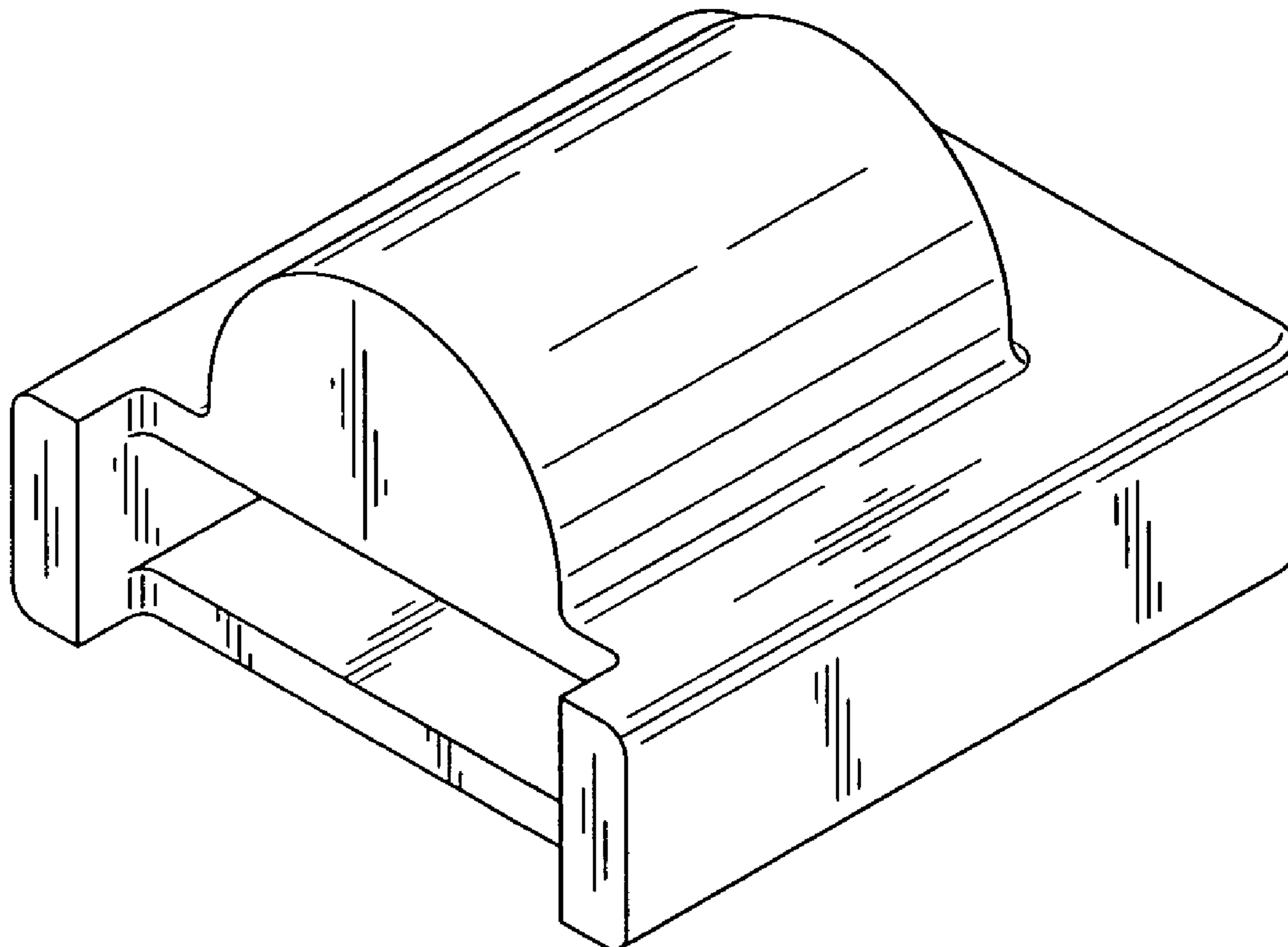
FIG. 7 is a reference view of usage thereof;

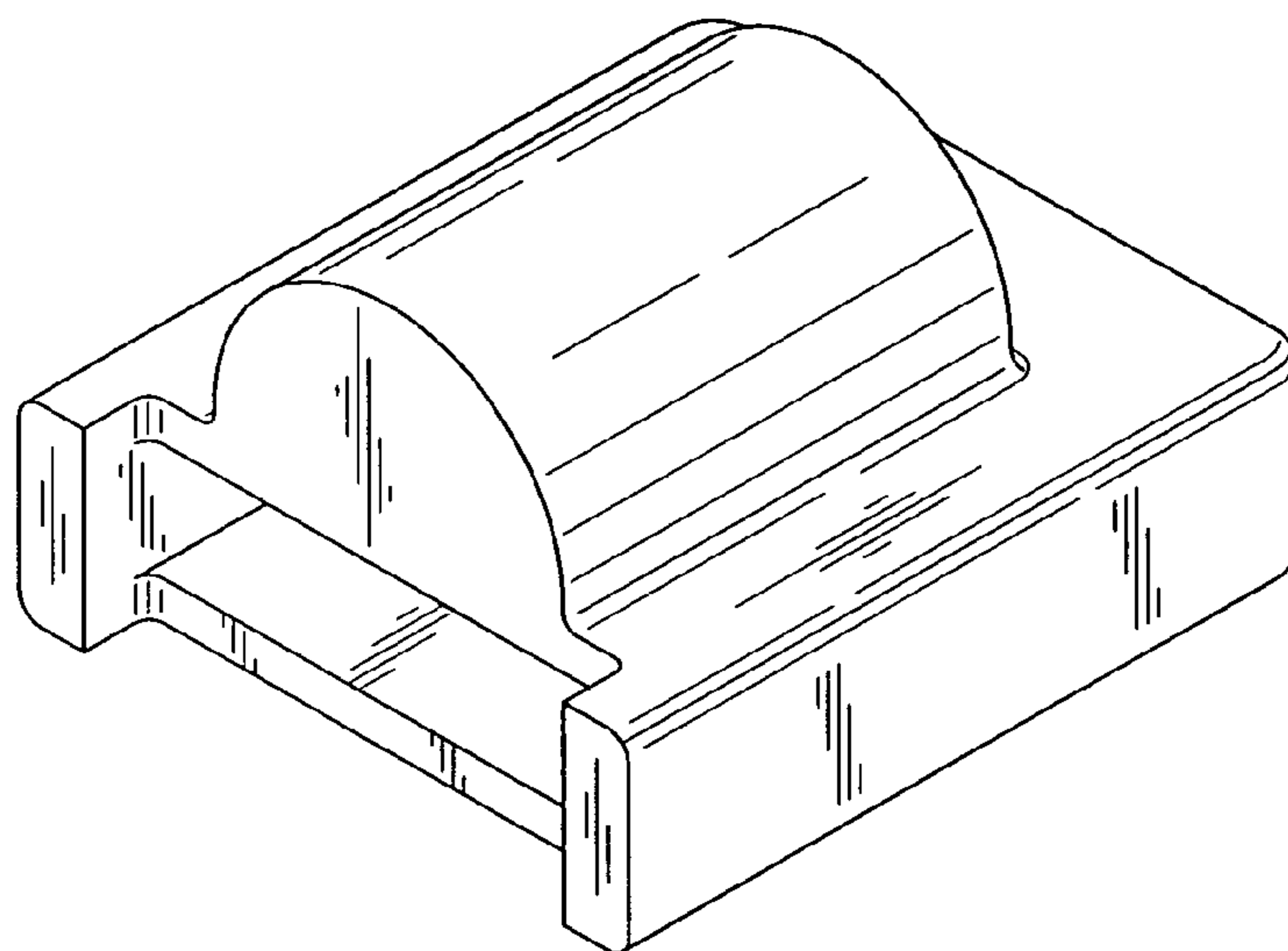
FIG. 8 is a reference view of usage thereof; and,

FIG. 9 is a reference view of usage thereof.

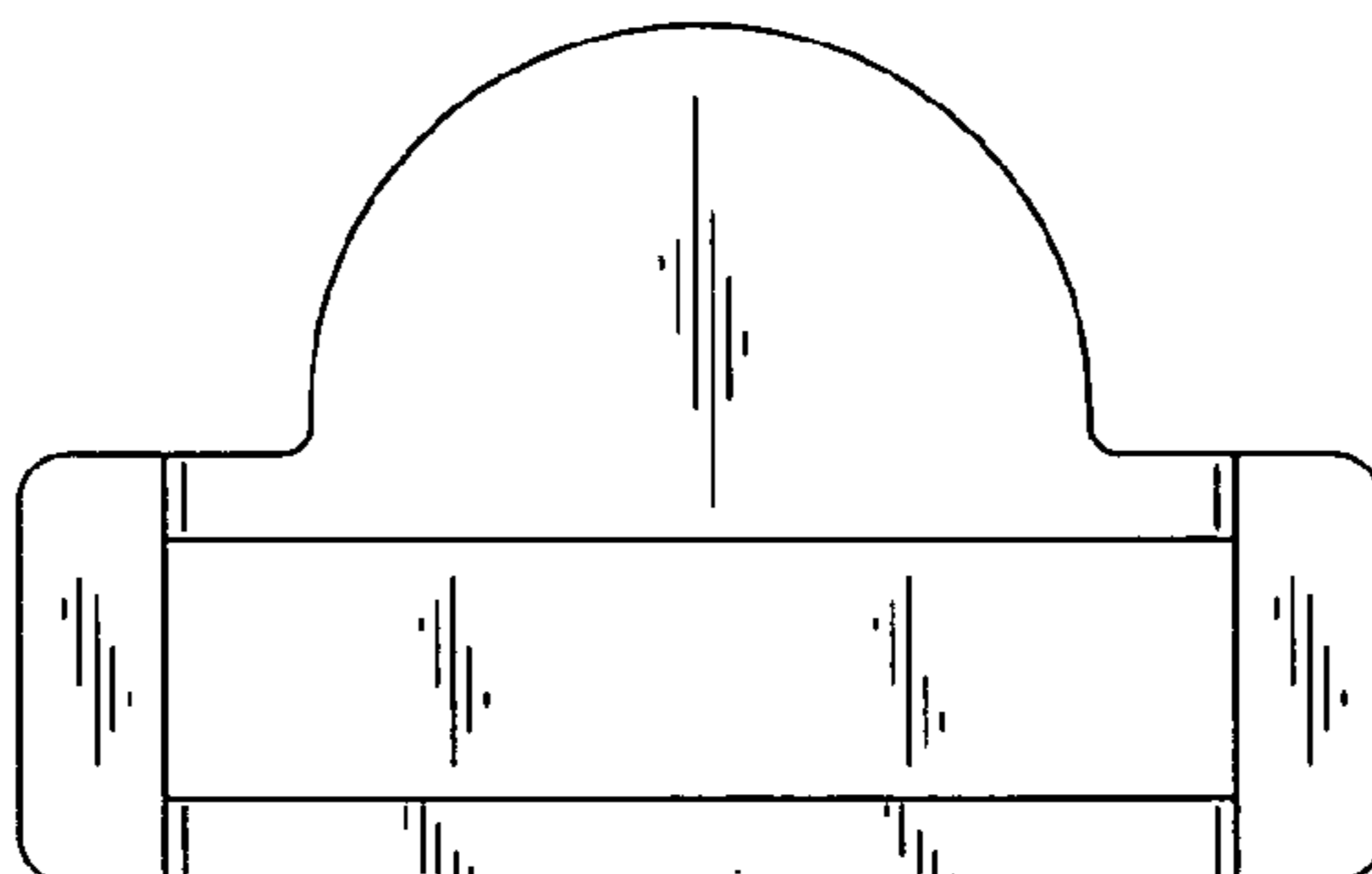
The elements shown in broken lines are for illustrative purposes only and form no part of the claimed design.

**1 Claim, 4 Drawing Sheets**

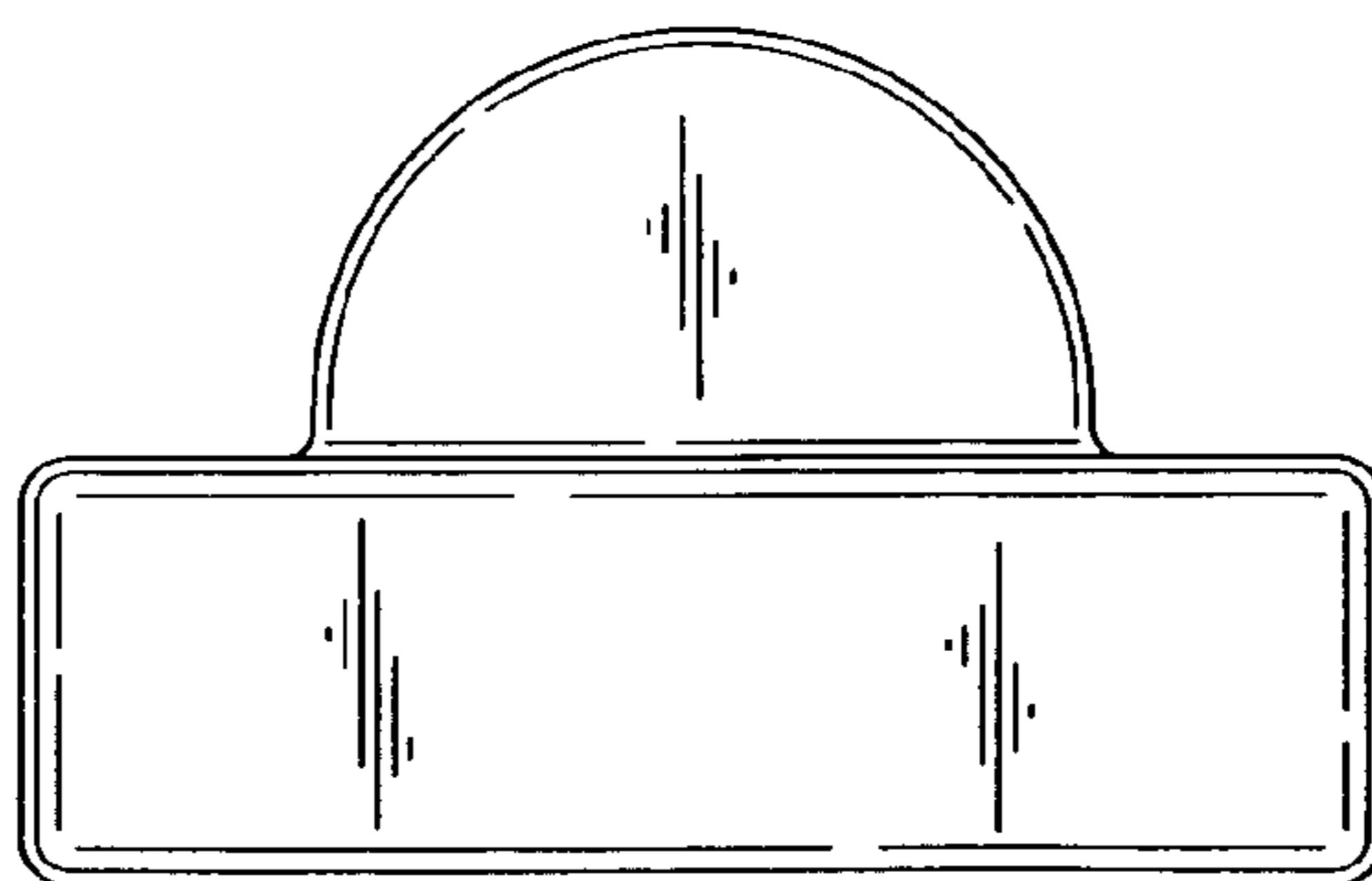




*FIG. 1*



*FIG. 2*



*FIG. 3*

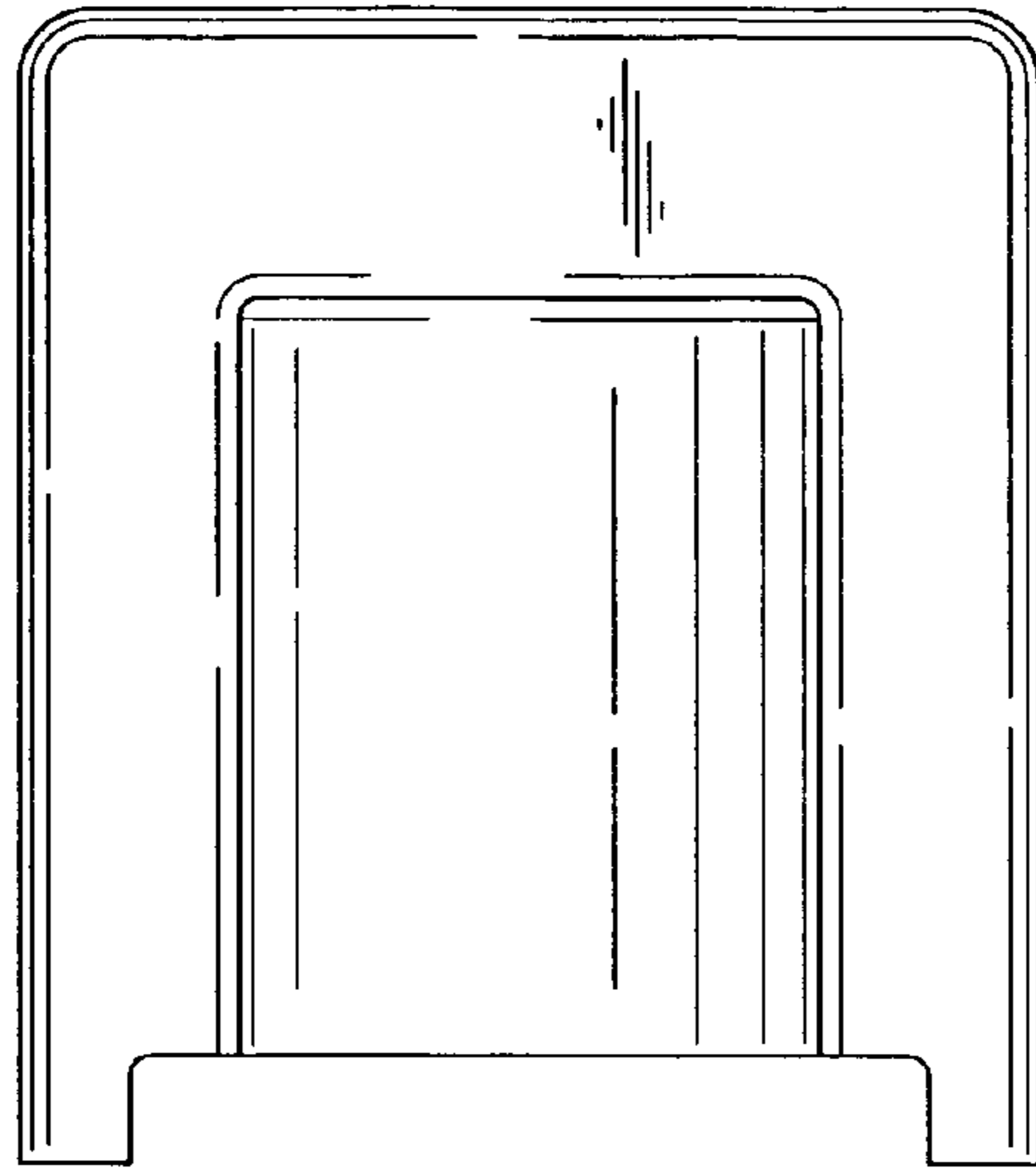


FIG. 4

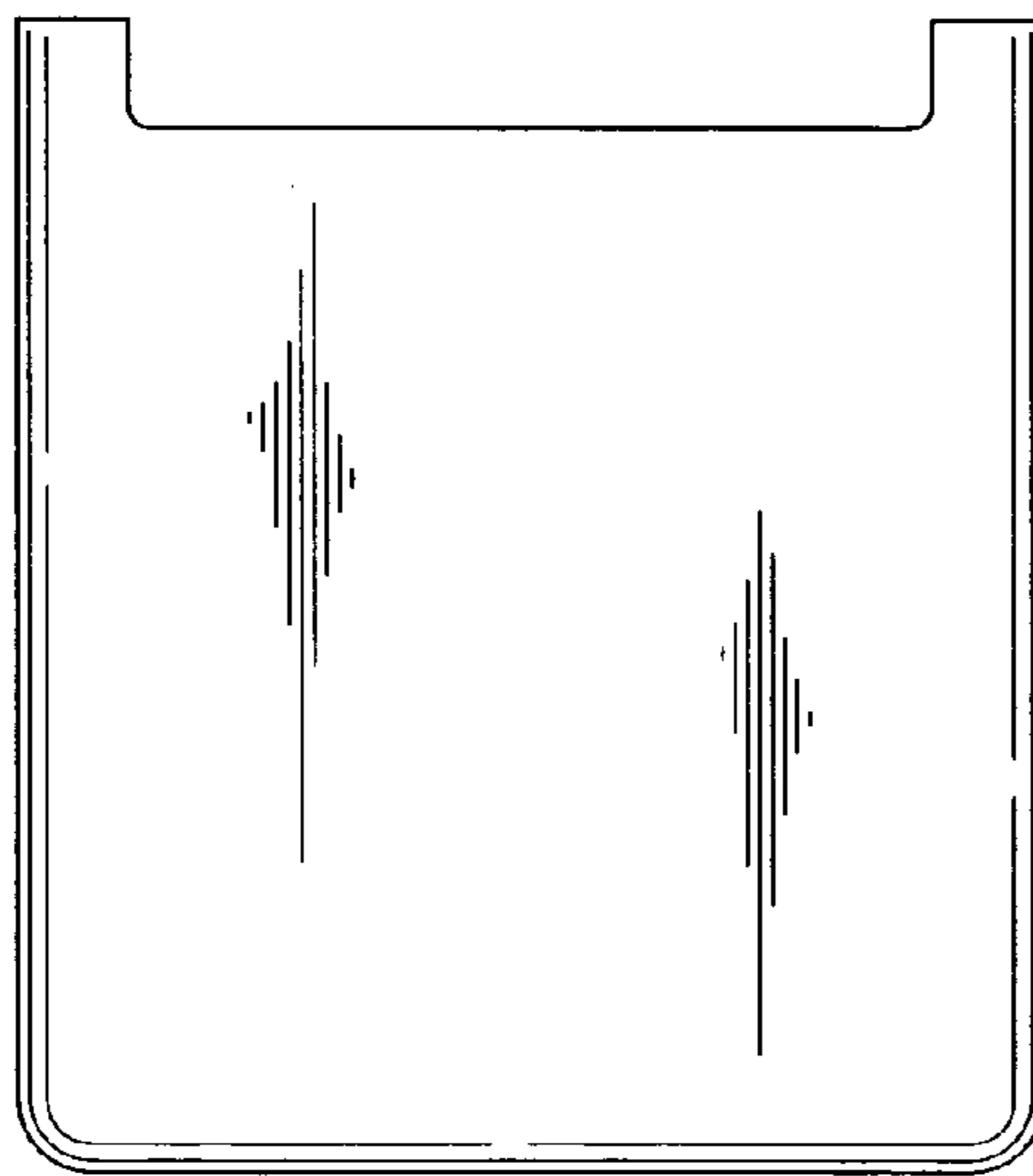


FIG. 5

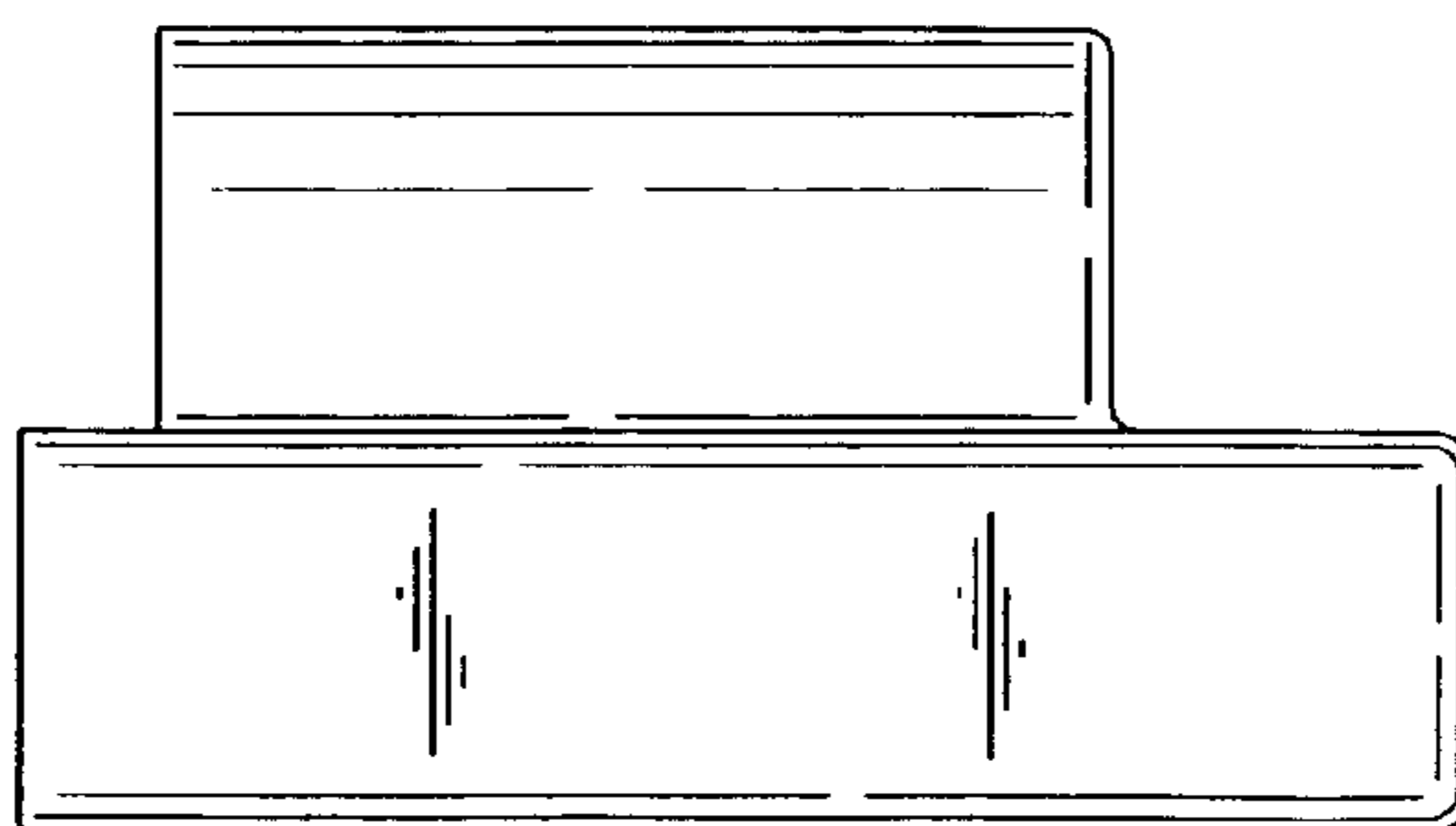


FIG. 6

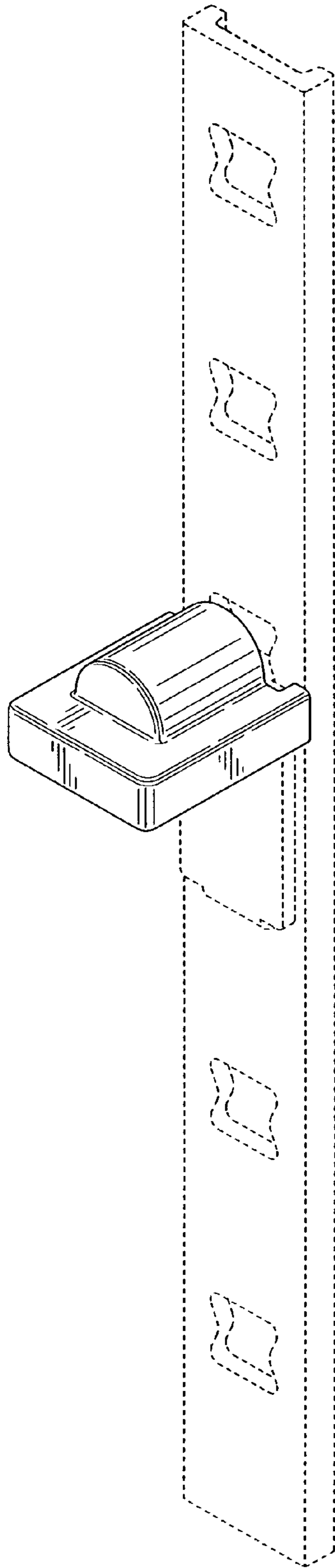


FIG. 7

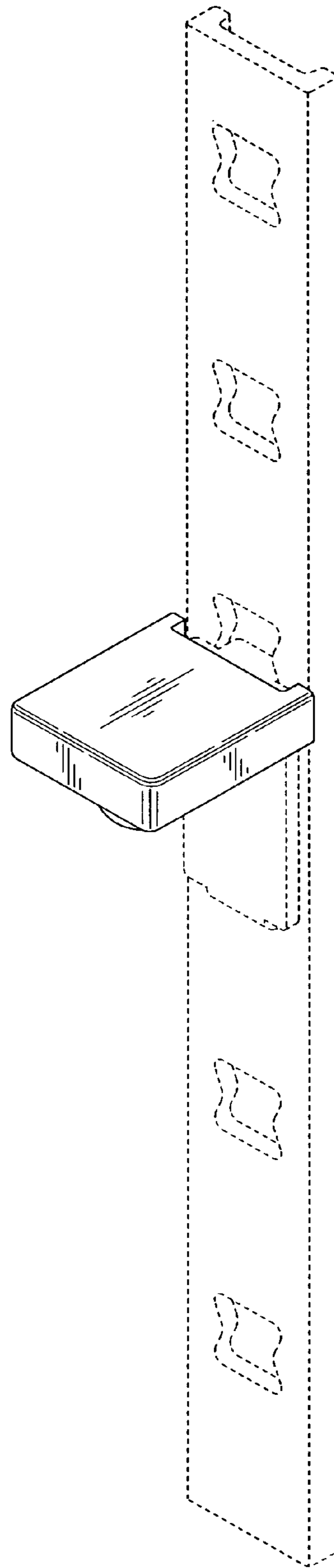


FIG. 8

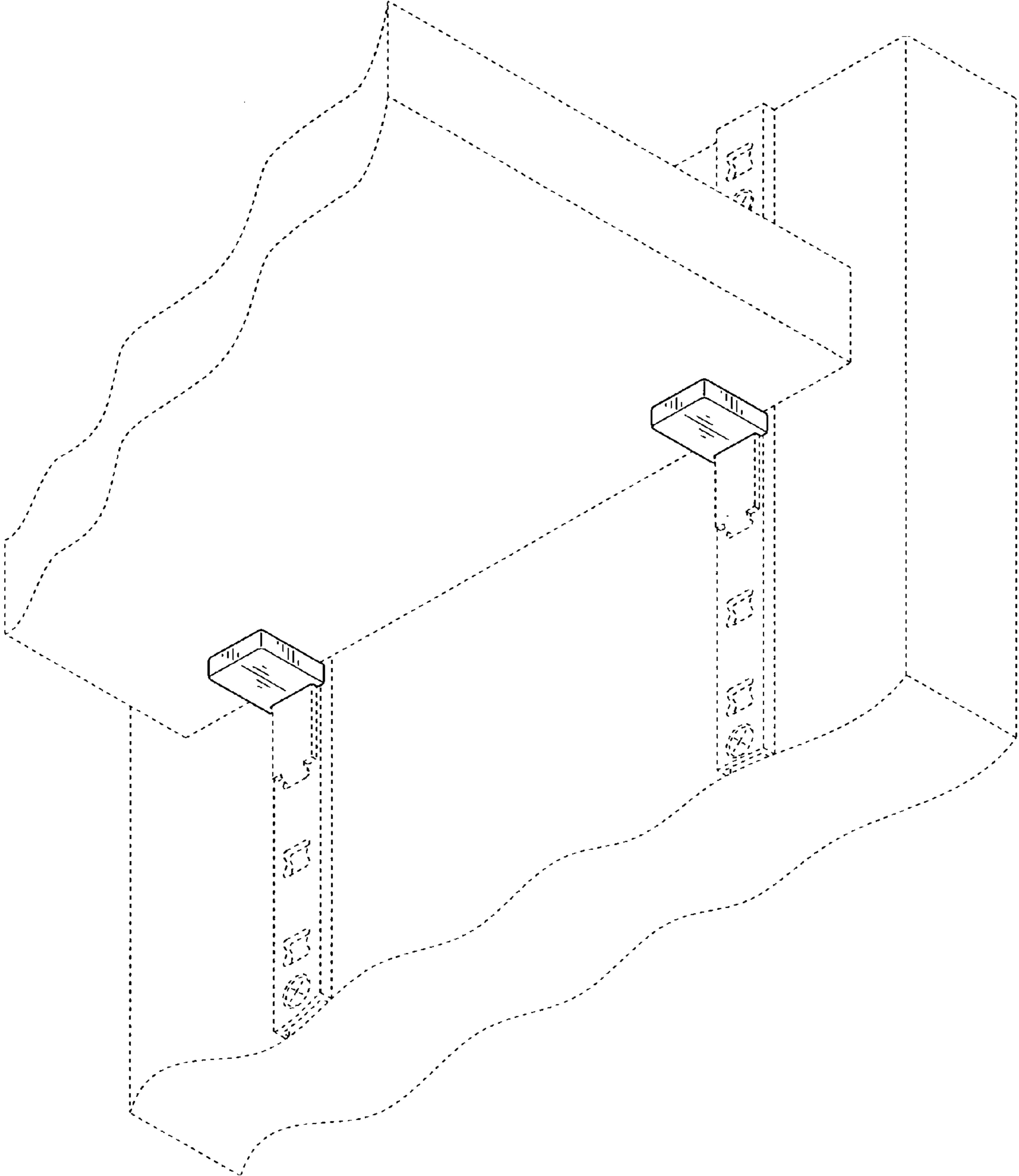


FIG. 9