



US00D593398S

(12) **United States Design Patent**  
**Pelletier et al.**

(10) **Patent No.:** **US D593,398 S**  
(45) **Date of Patent:** **\*\* Jun. 2, 2009**

- (54) **ELECTRONIC LOCK HOUSING**
- (75) Inventors: **Daniel Pelletier**, Bromont (CA); **Jean Barbeau**, Otterburn Park (CA)
- (73) Assignee: **Artopex Inc.**, Granby (CA)
- (\*\*) Term: **14 Years**
- (21) Appl. No.: **29/326,501**
- (22) Filed: **Oct. 20, 2008**

- 5,352,001 A 10/1994 Shieh et al.
- 5,868,015 A \* 2/1999 Eaker ..... 70/129
- D452,641 S \* 1/2002 Portenier ..... D8/341
- D452,810 S 1/2002 Anderson et al.
- D455,063 S 4/2002 Anderson et al.
- D461,112 S 8/2002 Henley
- D484,775 S 1/2004 Hong et al.
- D485,154 S 1/2004 Chen et al.

\* cited by examiner

*Primary Examiner*—Prabhakar Deshmukh  
(74) *Attorney, Agent, or Firm*—Darby & Darby P.C.

**Related U.S. Application Data**

- (63) Continuation-in-part of application No. 29/296,739, filed on Oct. 26, 2007, now Pat. No. Des. 580,739.

- (51) **LOC (9) Cl.** ..... **08-07**
- (52) **U.S. Cl.** ..... **D8/330**
- (58) **Field of Classification Search** ..... D8/330, D8/331, 336, 338, 339, 340, 343; 70/14, 70/2, 51, 57, 57.1, 91, 107, 141; 292/2, 32, 292/137, 288, 289, 290, 292

See application file for complete search history.

(56) **References Cited**

**U.S. PATENT DOCUMENTS**

- 2,033,079 A \* 3/1936 Lohrs ..... 292/2
- D180,520 S \* 6/1957 Lindop ..... D8/339
- 3,498,658 A \* 3/1970 Steenstra et al. .... 292/167
- 3,555,860 A 1/1971 Atkinson
- D267,698 S 1/1983 Domes
- 4,921,063 A 5/1990 Masuda et al.

(57) **CLAIM**

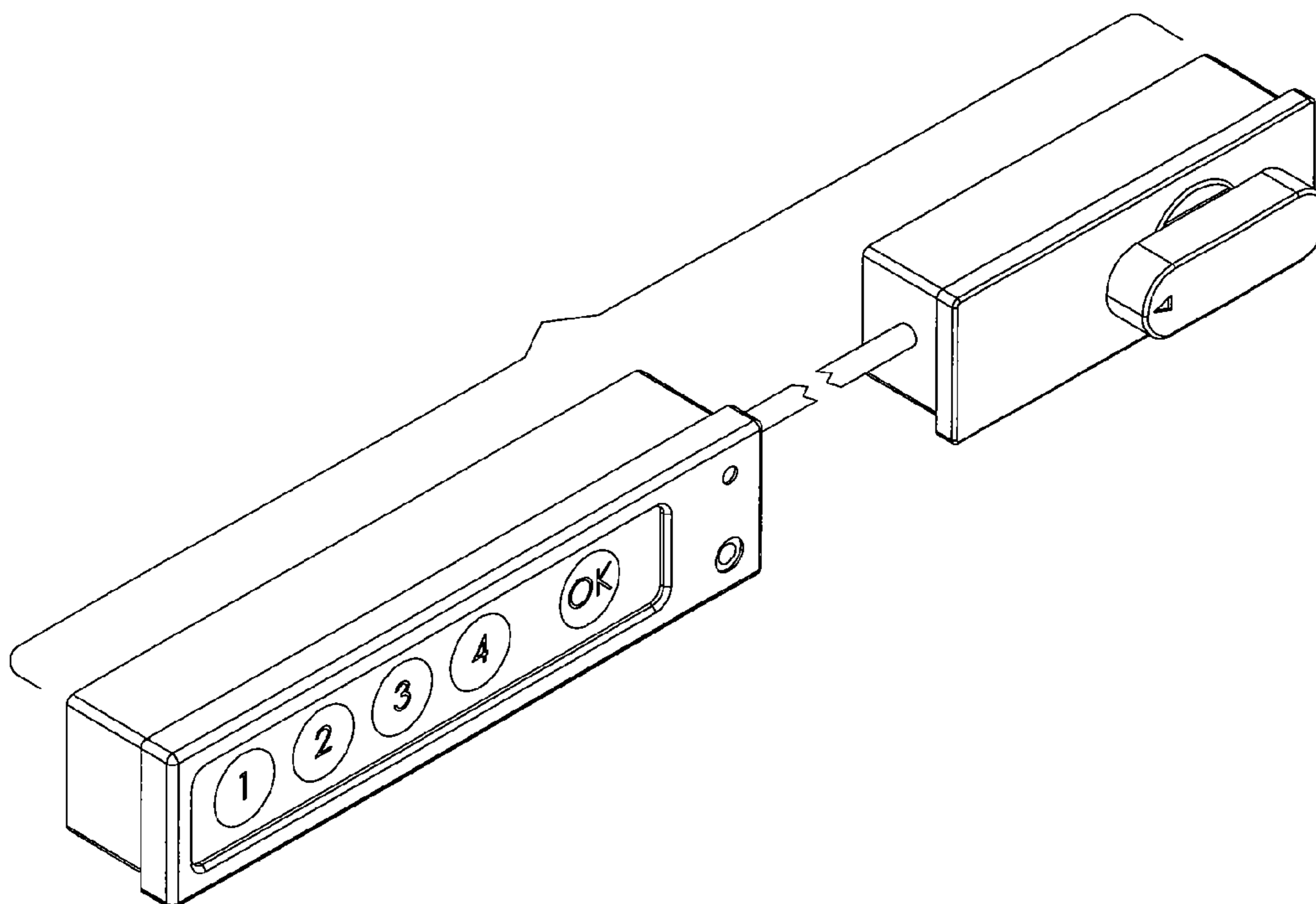
The ornamental design for an electronic lock housing, as shown and described.

**DESCRIPTION**

- FIG. 1 is a perspective elevation view of the electronic lock housing;
- FIG. 2 is another perspective elevation view of the electronic lock housing of FIG. 1;
- FIG. 3 is a front view of the electronic lock housing of FIG. 1;
- FIG. 4 is a top view of the electronic lock housing of FIG. 1; and,
- FIG. 5 is a right side view of the electronic lock housing of FIG. 1.

It is understood that the cable indicate the undetermined length.

**1 Claim, 3 Drawing Sheets**



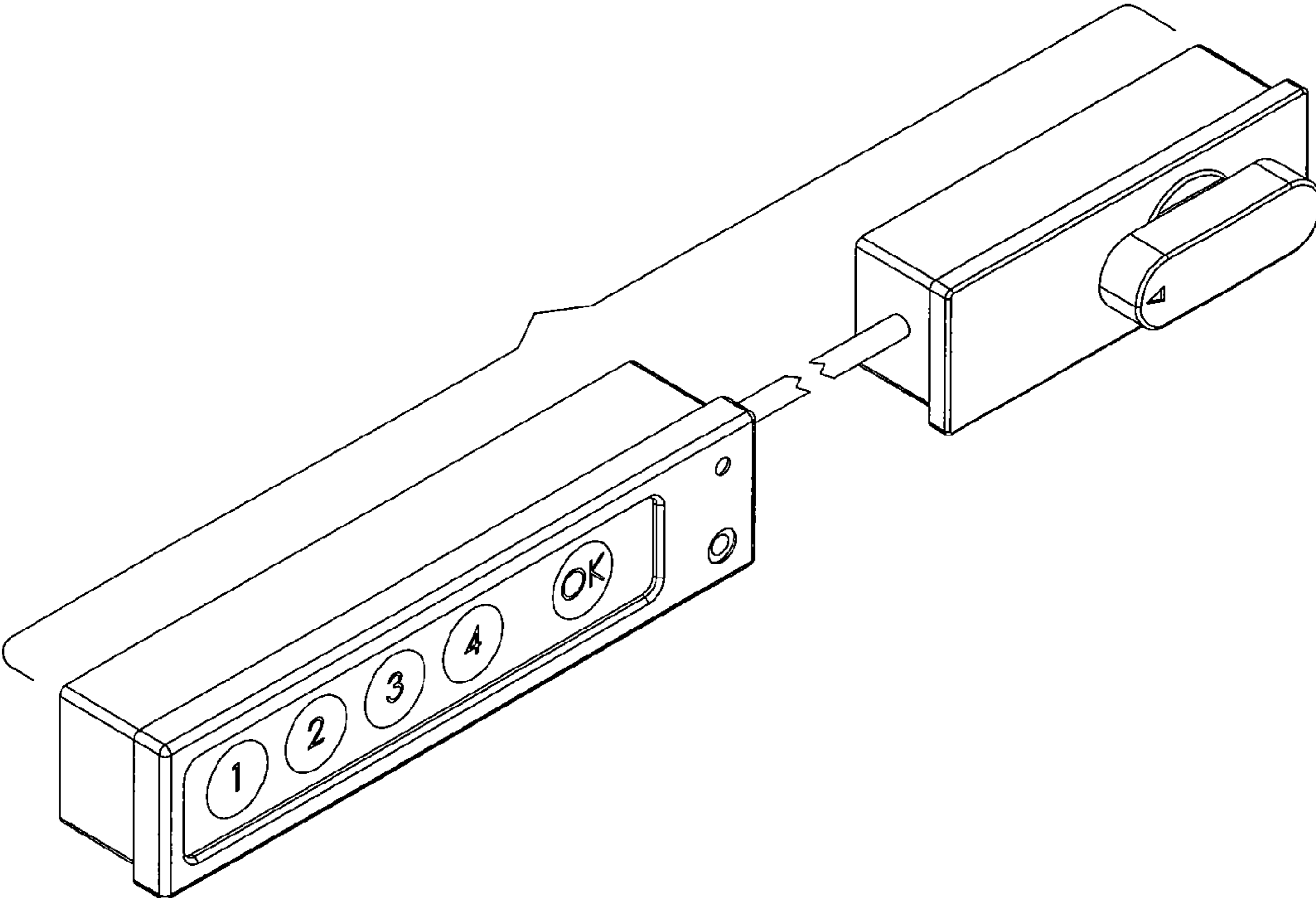


FIG. 1

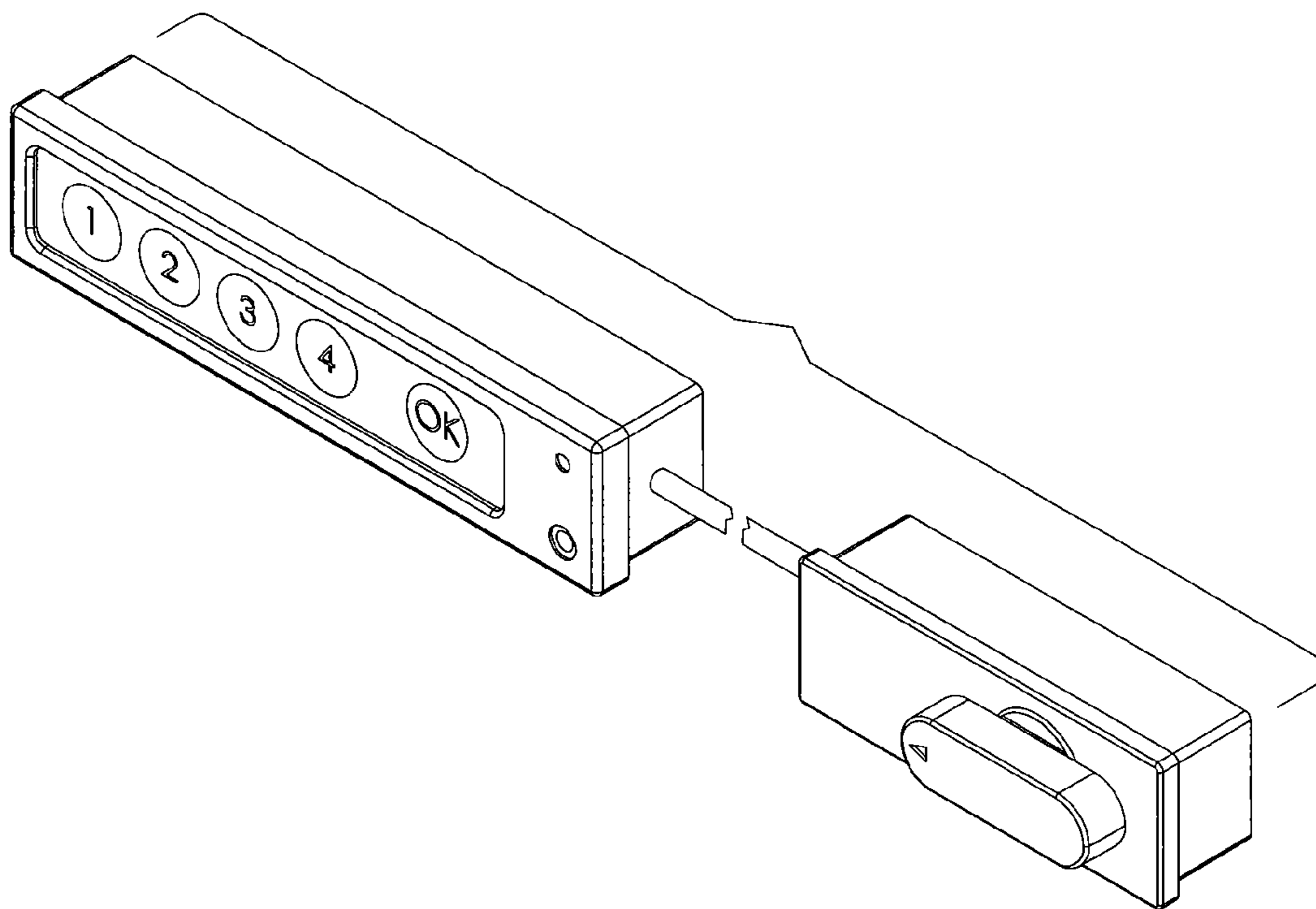


FIG. 2

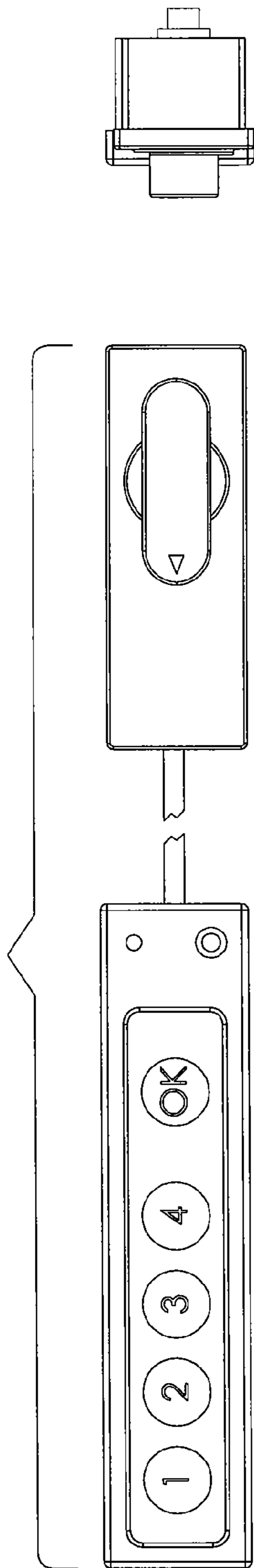


FIG. 3

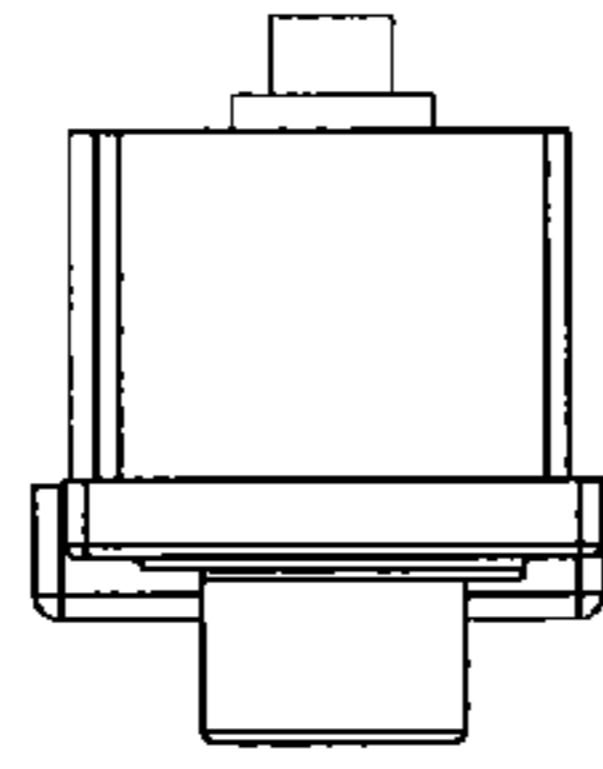


FIG. 5

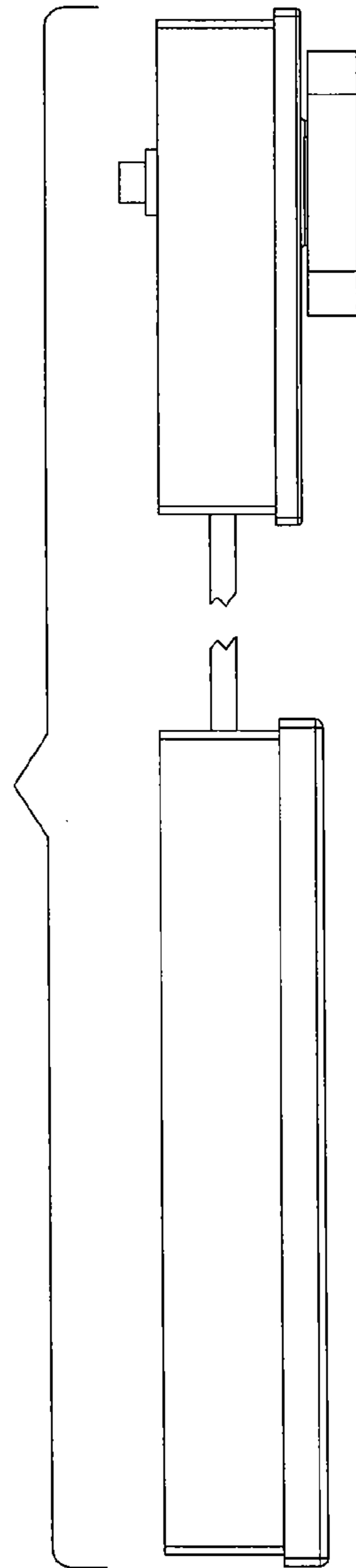


FIG. 4