



US00D593397S

(12) **United States Design Patent**
Stuckey

(10) **Patent No.:** **US D593,397 S**
(45) **Date of Patent:** **** Jun. 2, 2009**

(54) **HANDLE**

(75) Inventor: **David Martin Stuckey**, Thomastown
(AU)

(73) Assignee: **Burgundy Trial Pty Ltd** (AU)

(**) Term: **14 Years**

(21) Appl. No.: **29/328,361**

(22) Filed: **Nov. 24, 2008**

(30) **Foreign Application Priority Data**

May 26, 2008 (AU) 12490/2008

(51) **LOC (9) Cl.** **08-06**

(52) **U.S. Cl.** **D8/321; D8/320**

(58) **Field of Classification Search** D8/300,
D8/301, 302, 305, 306, 307-313, 315-318,
D8/319-322, DIG. 1, DIG. 2, DIG. 10, 330,
D8/345, 341, 400, 331, 336, 338; D15/89;
D7/393, 394; D3/318; D6/549, 524, 533,
D6/550, 546; D23/303, 304, 305, 250-254;
16/441, 118, 110 R, 111 R, DIG. 19, DIG. 30,
16/110.1, 412, 414-420, 443-446; 292/336.3,
292/57, 39, 40, 229, DIG. 31, 169.18, 46,
292/73; 211/16, 182; 220/752-754; 70/DIG. 31,
70/208, 215, 451, 448

See application file for complete search history.

(56) **References Cited**

U.S. PATENT DOCUMENTS

D97,148 S * 10/1935 Segar D8/302
D115,981 S * 8/1939 Steffens D8/302
D191,920 S * 12/1961 Hale et al. D8/302
D191,921 S * 12/1961 Hale et al. D8/302
D192,161 S * 2/1962 Amdal D8/302
D193,178 S * 7/1962 Meidell D8/302
D213,863 S * 4/1969 Unter D8/302
D214,713 S * 7/1969 Unter D8/302
D230,566 S * 3/1974 Harrell D8/302
D411,433 S * 6/1999 Swan et al. D8/306

D421,209 S * 2/2000 Buckland D8/338
D465,398 S * 11/2002 Linares et al. D8/302
6,668,602 B2 * 12/2003 Graham et al. 70/208
D487,012 S * 2/2004 Stoll et al. D8/337
D491,038 S * 6/2004 Denys D8/319
D491,039 S * 6/2004 Denys D8/320
D520,329 S * 5/2006 Schlack et al. D8/302

(Continued)

FOREIGN PATENT DOCUMENTS

AU 321070 S 9/2008

OTHER PUBLICATIONS

U.S. Appl. No. 29/317,921, Stuckey, David Martin.

Primary Examiner—Stella M Reid

Assistant Examiner—Mark A Goodwin

(74) *Attorney, Agent, or Firm*—Craig A. Fieschko, Esq.;
DeWitt Ross & Stevens S.C.

(57) **CLAIM**

I claim the ornamental design for a handle, as shown and described.

DESCRIPTION

FIG. 1 is a perspective view of the handle showing my new design in an open state;

FIG. 2 is a perspective view thereof, in a closed state;

FIG. 3 is a front view thereof, in an open state;

FIG. 4 is a front view thereof, in a closed state;

FIG. 5 is a right side view thereof, in an open state, the left side view being a mirror image thereof;

FIG. 6 is a right side view thereof, in a closed state, the left side view being a mirror image thereof;

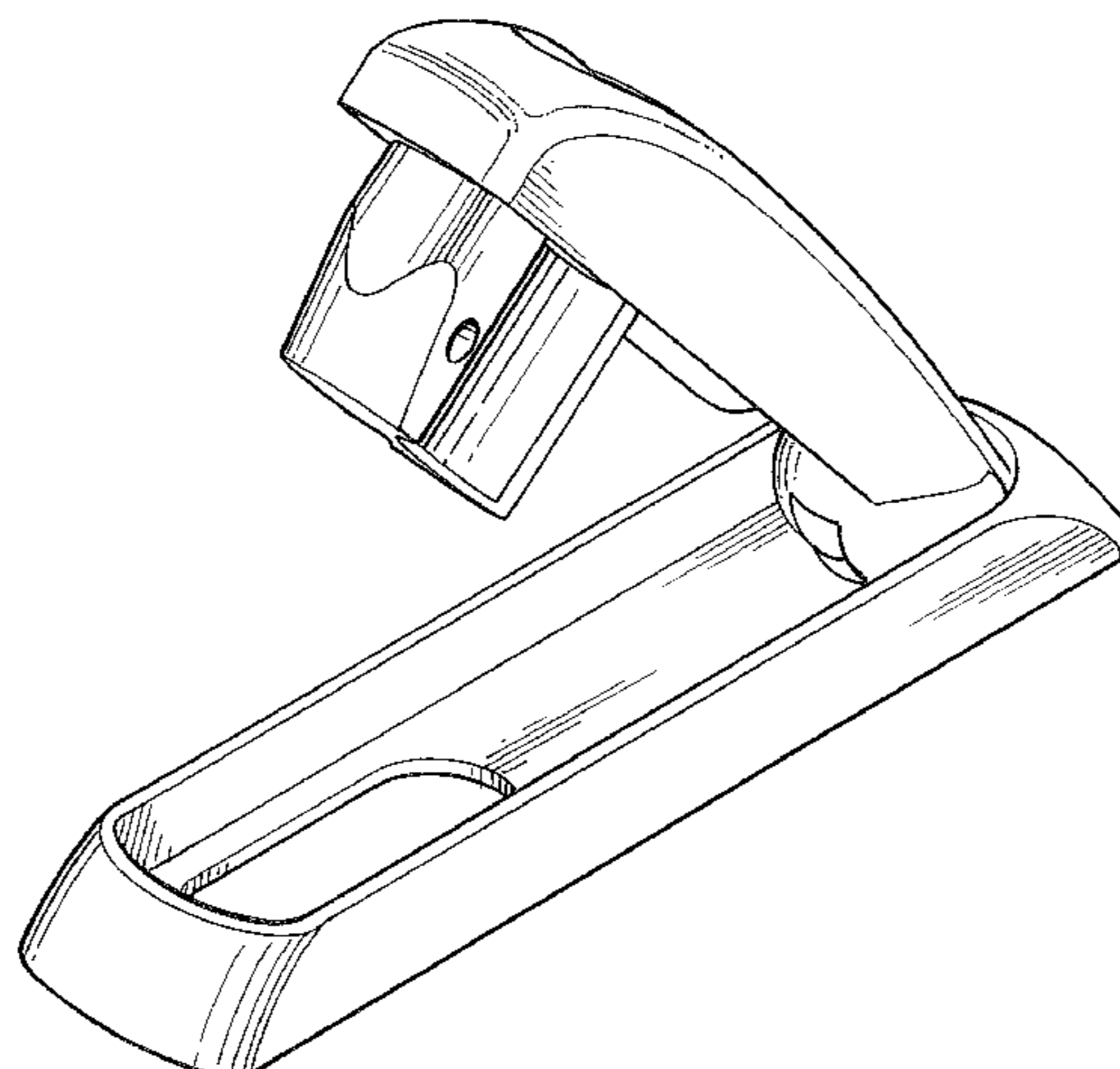
FIG. 7 is a bottom view thereof, in an open state;

FIG. 8 is a bottom view thereof, in a closed state;

FIG. 9 is a top view thereof, in an open state; and,

FIG. 10 is a top view thereof, in a closed state.

1 Claim, 4 Drawing Sheets



US D593,397 S

Page 2

U.S. PATENT DOCUMENTS							
				7,272,964	B2 *	9/2007	Graham et al. 70/208
D524,139	S *	7/2006	Burns et al. D8/302	D565,923	S *	4/2008	Hoshimoto D8/302
D543,825	S *	6/2007	Witte D8/302	D565,924	S *	4/2008	Hoshimoto D8/302
D550,059	S *	9/2007	Witte D8/302				

* cited by examiner

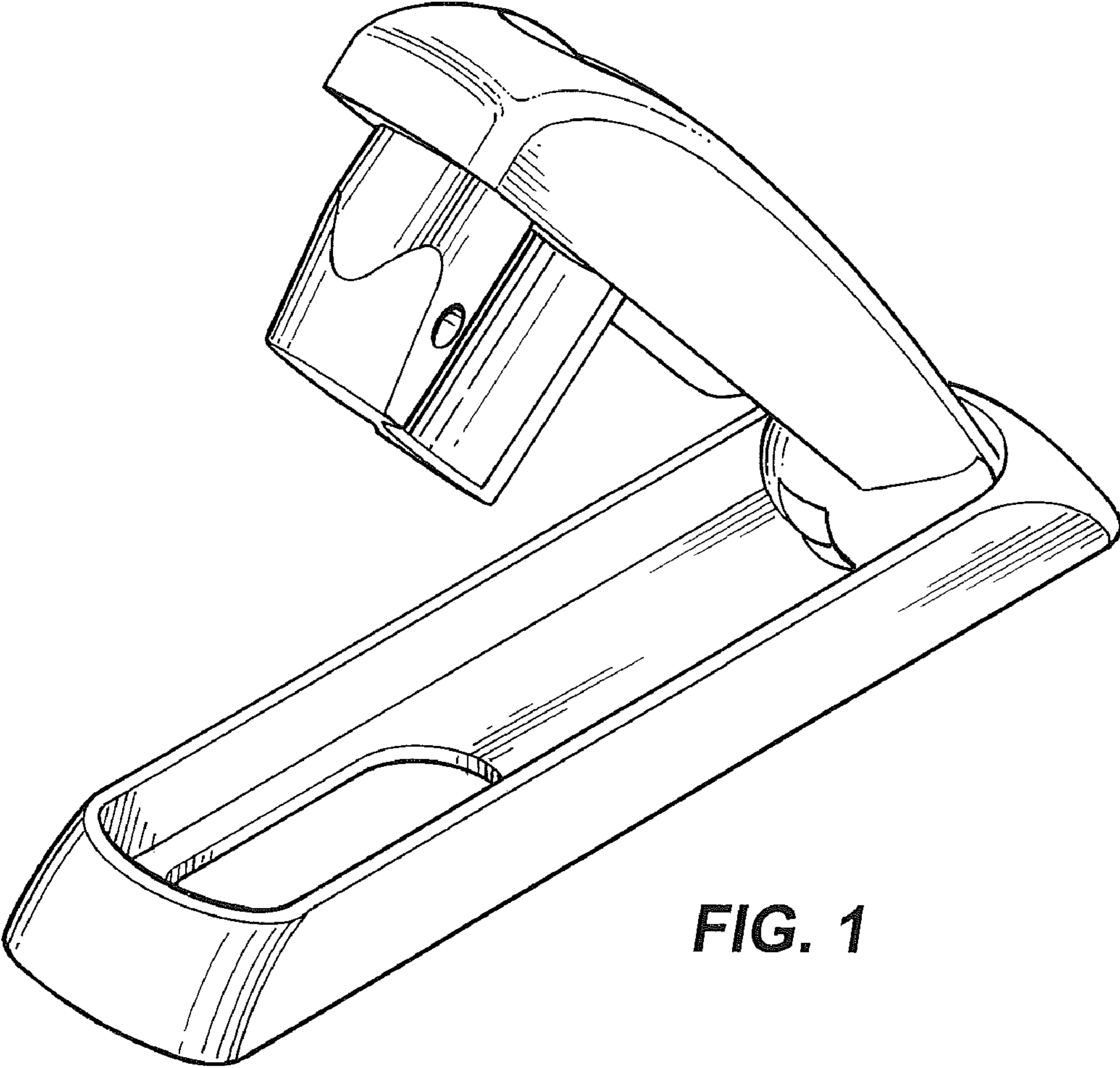


FIG. 1

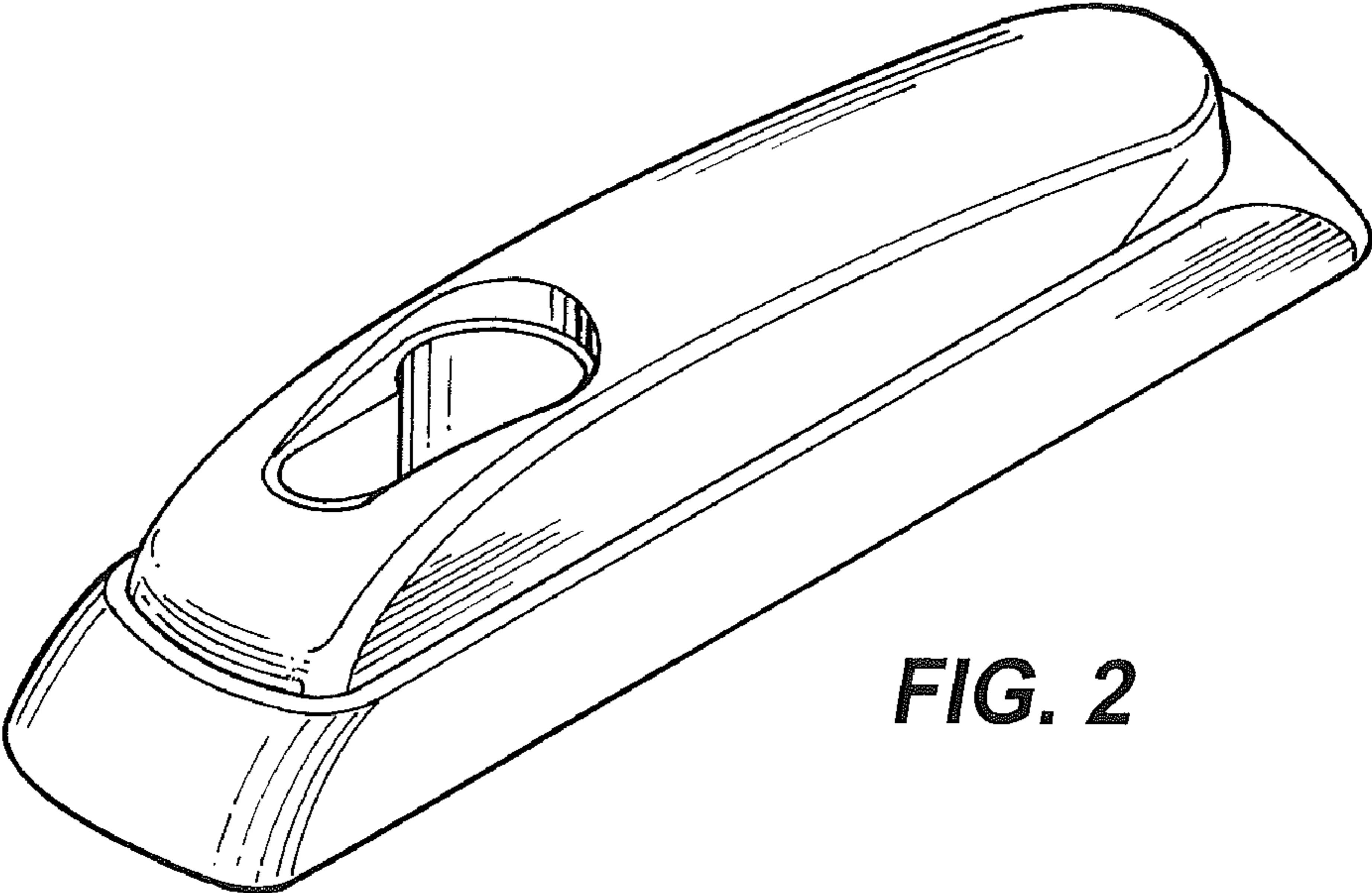


FIG. 2

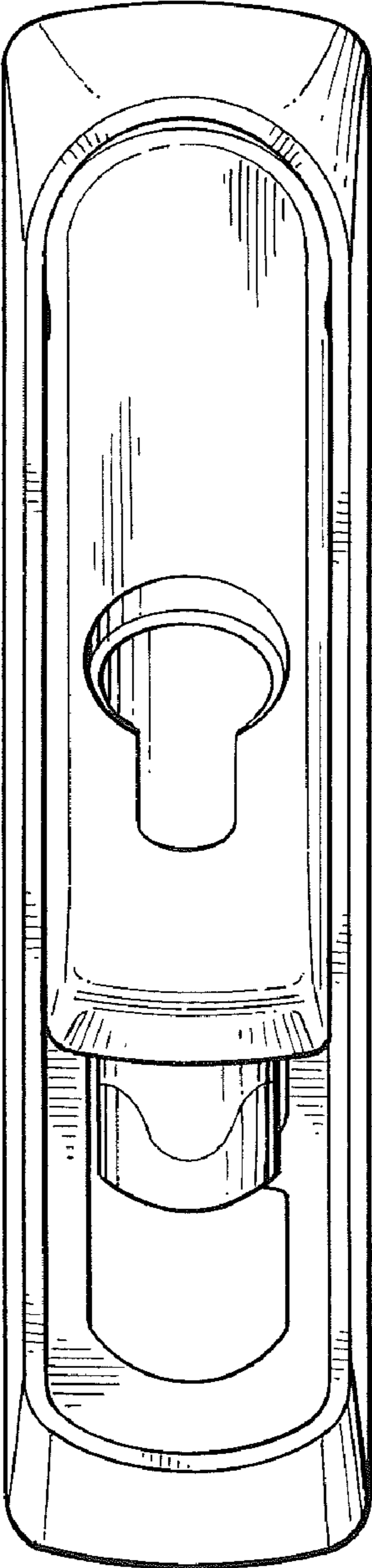


FIG. 3

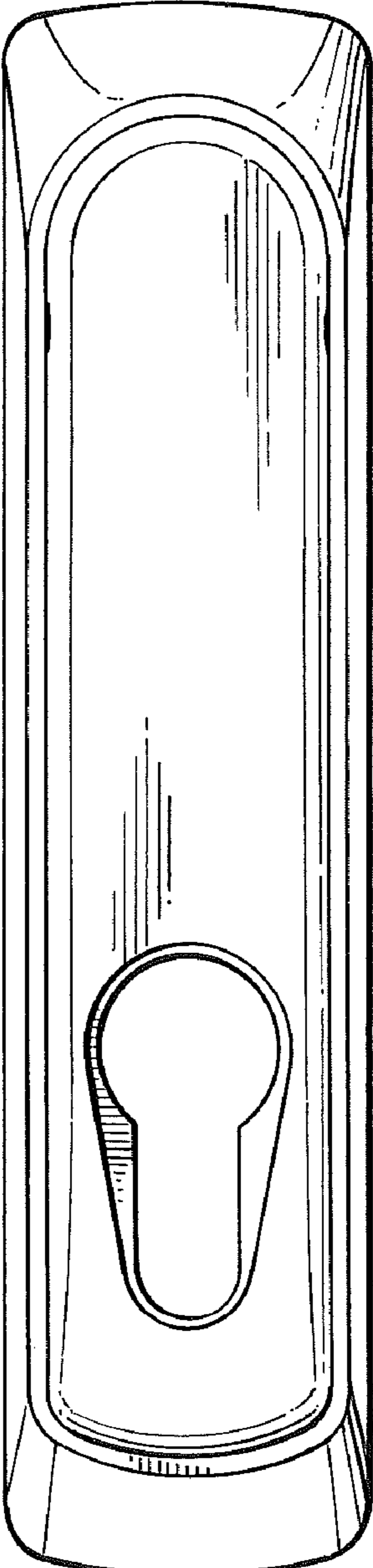


FIG. 4

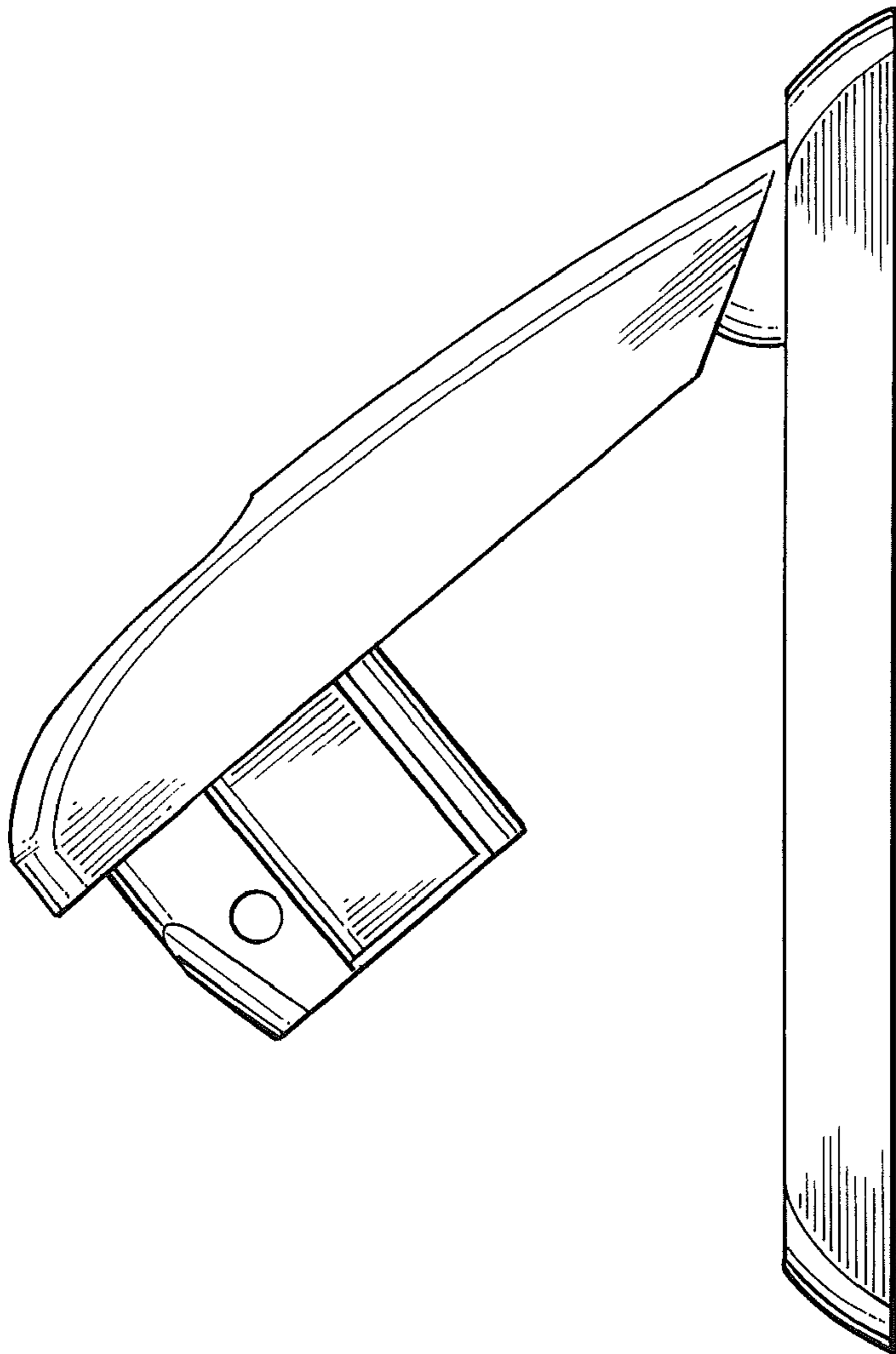


FIG. 5

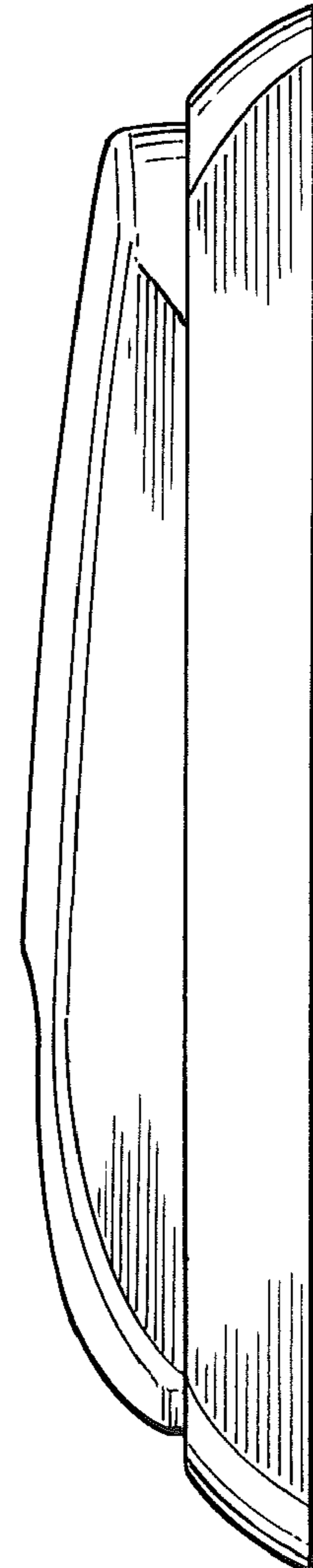


FIG. 6

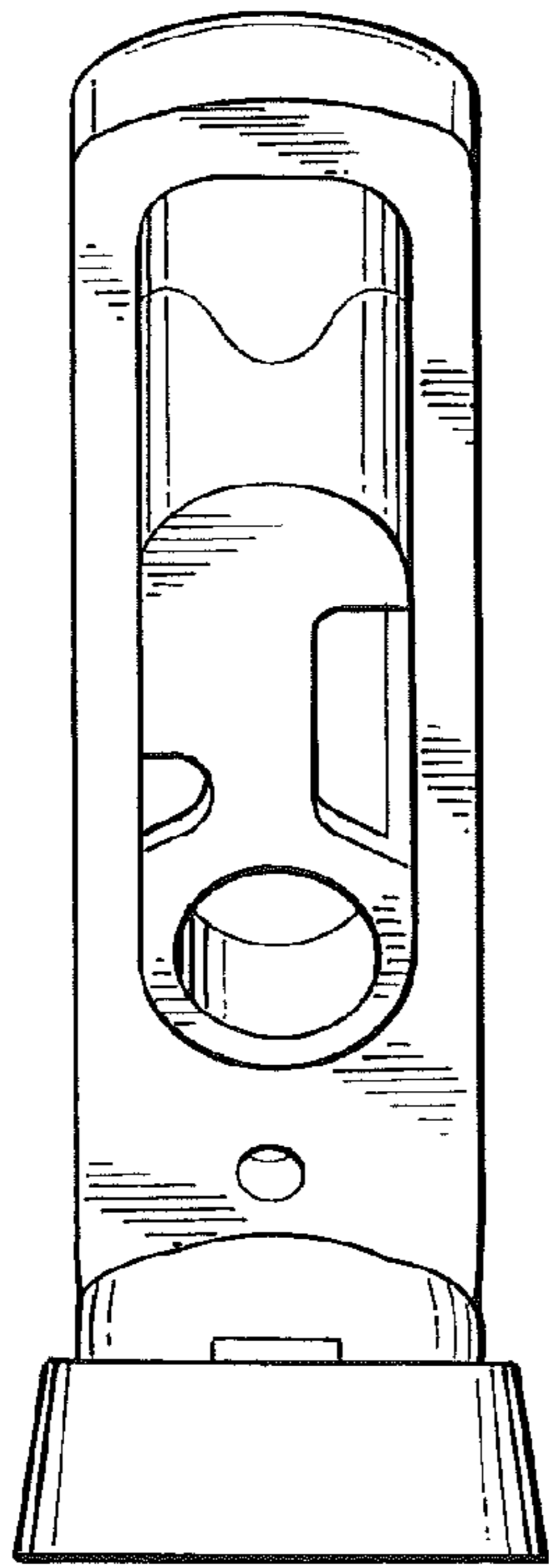


FIG. 7

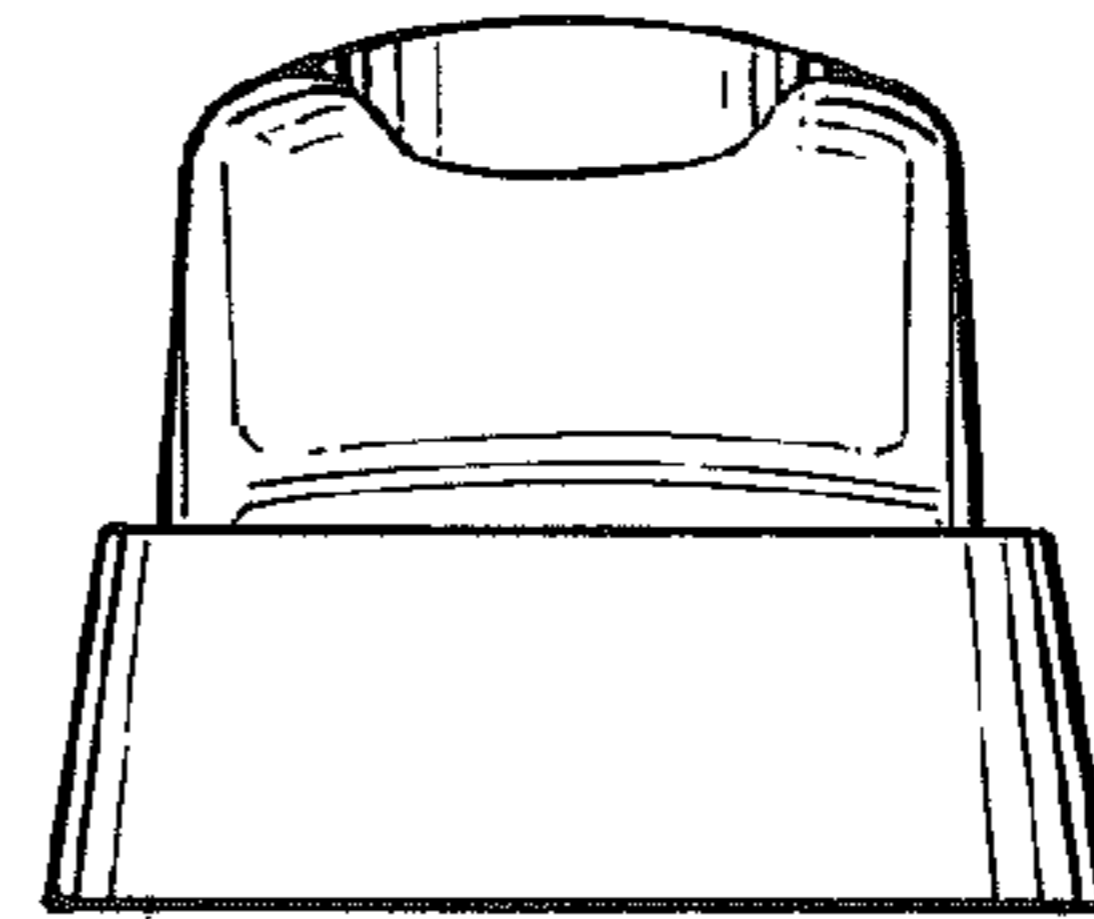


FIG. 8

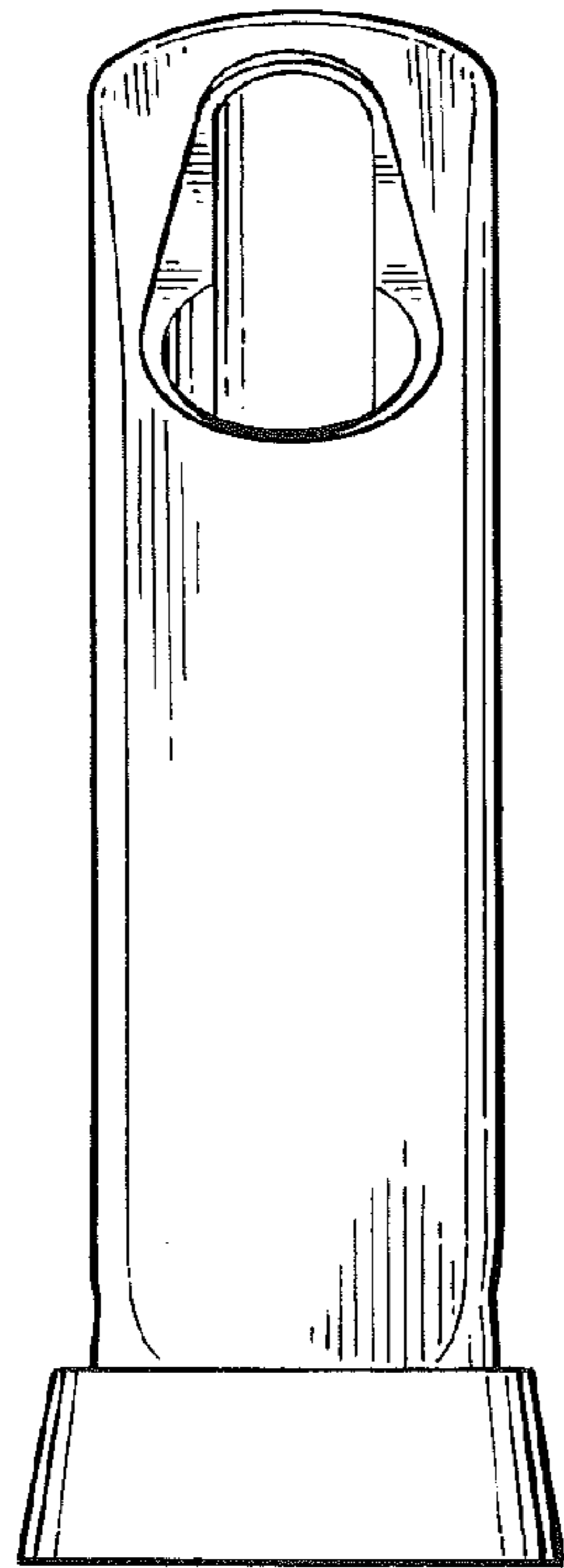


FIG. 9

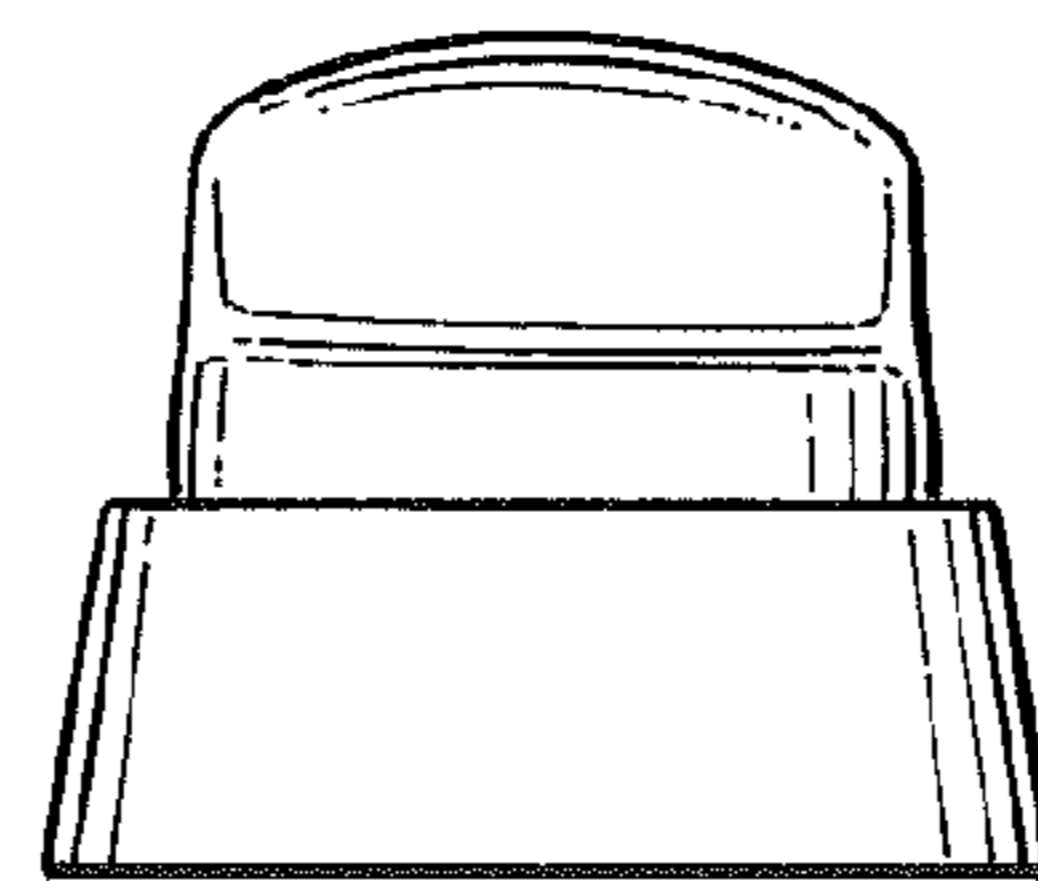


FIG. 10