

US00D593394S

(12) **United States Design Patent**
Ward, III

(10) **Patent No.:** **US D593,394 S**

(45) **Date of Patent:** **** Jun. 2, 2009**

(54) **DOUBLE LOCKING LUG TELESCOPING
BLADE KNIFE**

(76) **Inventor:** **Edward L. Ward, III**, P.O. Box 1184,
Kotzebue, AK (US) 99752

(**) **Term:** **14 Years**

(21) **Appl. No.:** **29/308,160**

(22) **Filed:** **Jun. 2, 2008**

(51) **LOC (9) Cl.** **08-03**

(52) **U.S. Cl.** **D8/99**

(58) **Field of Classification Search** D8/99,
D8/100; 30/156, 157, 158, 159, 160, 161,
30/162, 320, 329, 335, 337

See application file for complete search history.

(56) **References Cited**

U.S. PATENT DOCUMENTS

4,170,061	A	10/1979	Henry	
4,535,539	A	8/1985	Friedman	
4,670,984	A	6/1987	Rickard	
5,093,995	A	3/1992	Jan	
D333,418	S *	2/1993	Thompson et al. D8/99

D359,356	S *	6/1995	Werner D24/141
D379,293	S *	5/1997	Schultz D8/98
5,779,724	A *	7/1998	Werner 606/167
D472,446	S *	4/2003	Brown D8/99
D560,994	S *	2/2008	Green D8/99

* cited by examiner

Primary Examiner—Philip S Hyder

(74) *Attorney, Agent, or Firm*—Theresa M Seal

(57) **CLAIM**

The ornamental design for the double locking lug telescoping blade knife, as shown and described.

DESCRIPTION

FIG. 1 is a perspective view of the double locking lug telescope blade knife, in accordance with the invention;

FIG. 2 is a left side elevational view thereof;

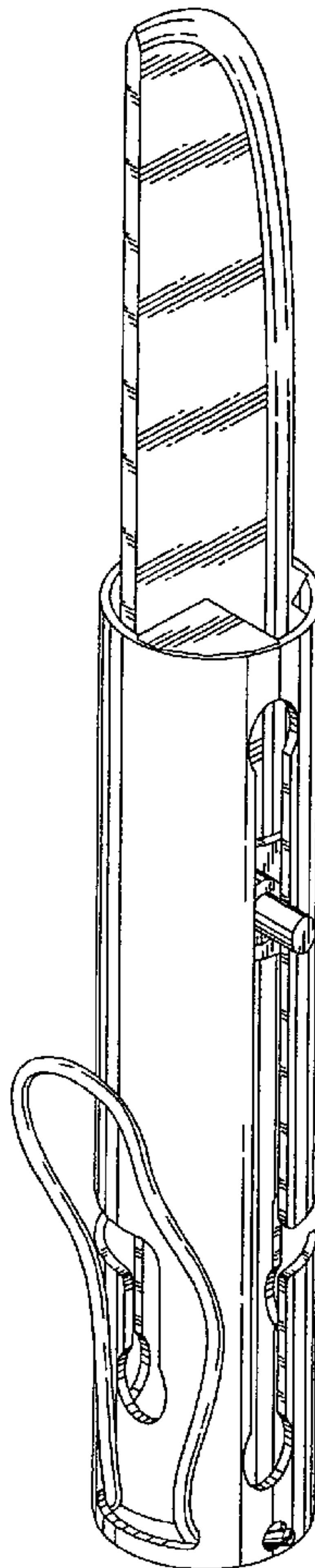
FIG. 3 is a rear elevational view thereof;

FIG. 4 is a front elevational view thereof;

FIG. 5 is a top plan view thereof; and,

FIG. 6 is a bottom plan view thereof.

1 Claim, 3 Drawing Sheets



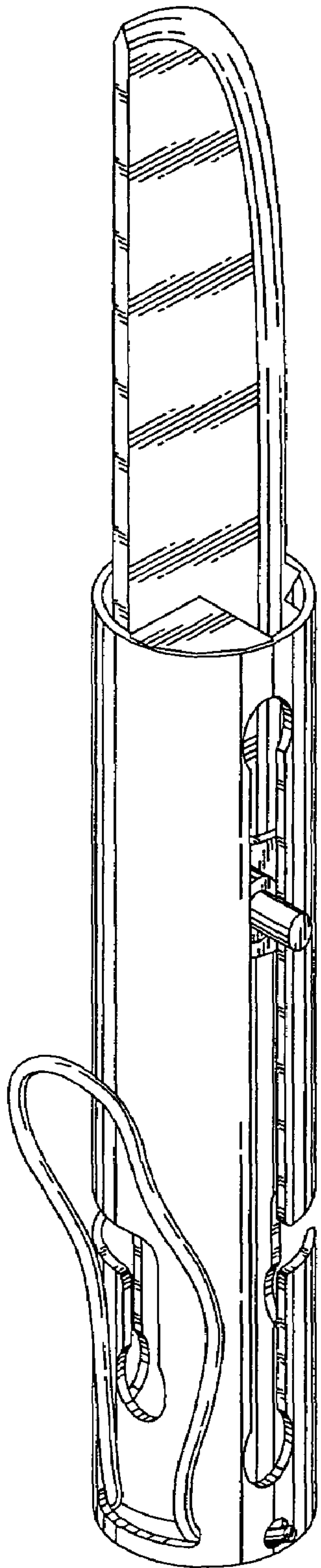


Fig. 1

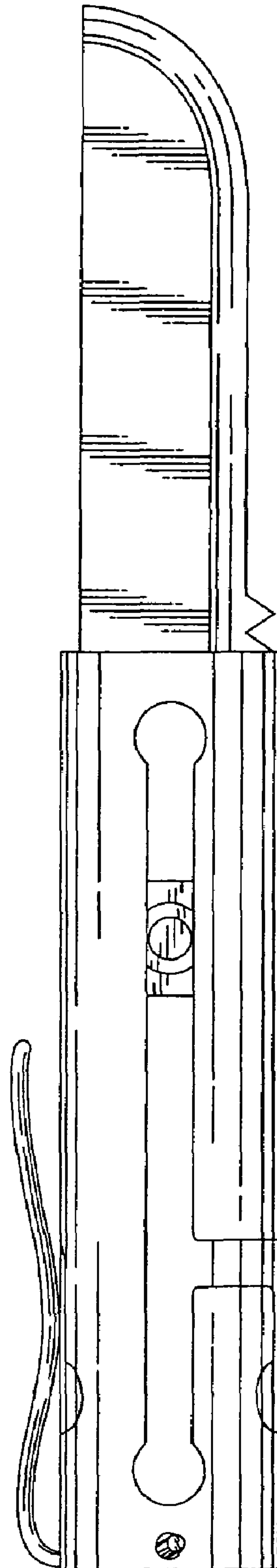


Fig. 2

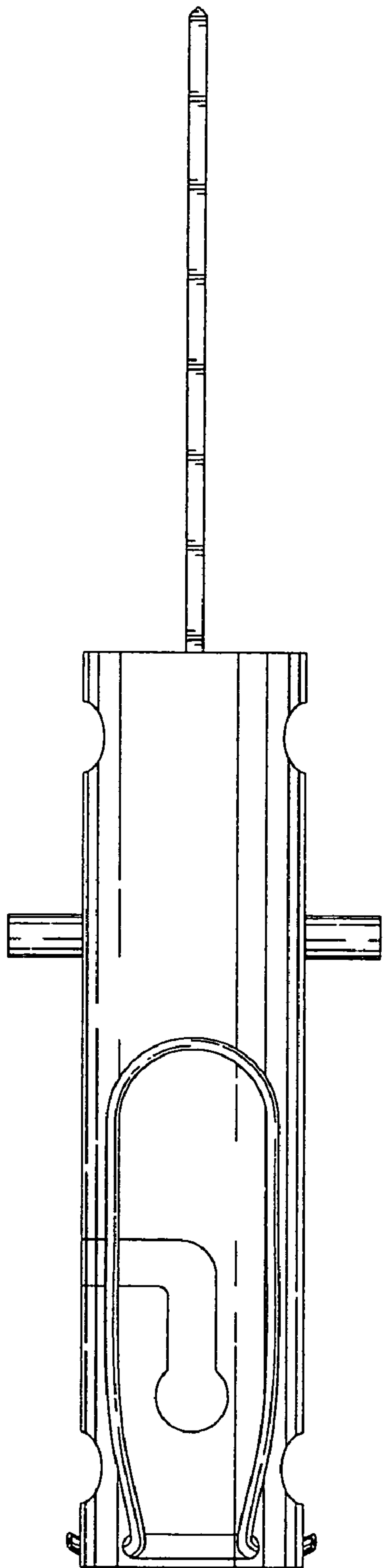


Fig. 3

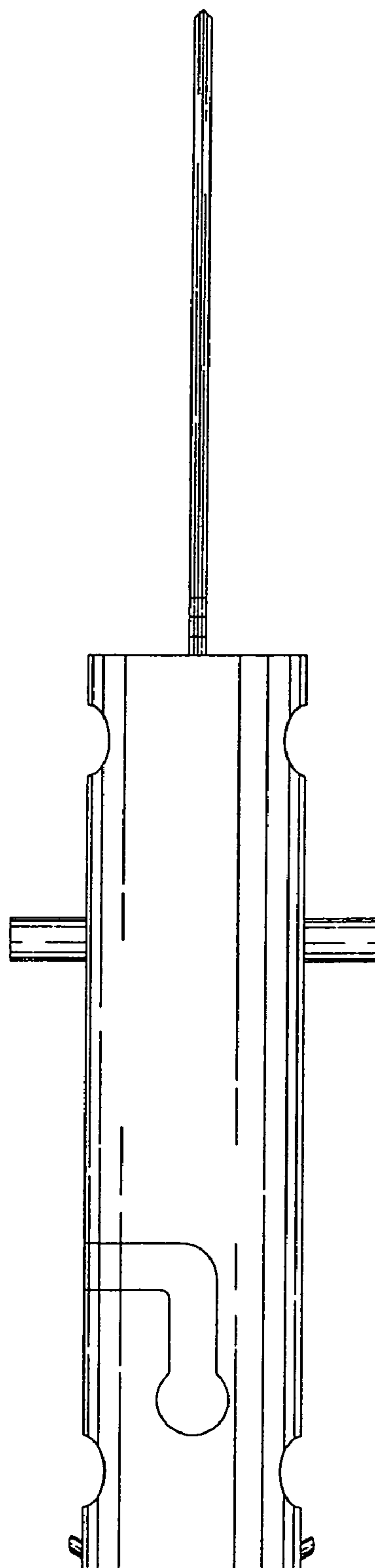


Fig. 4

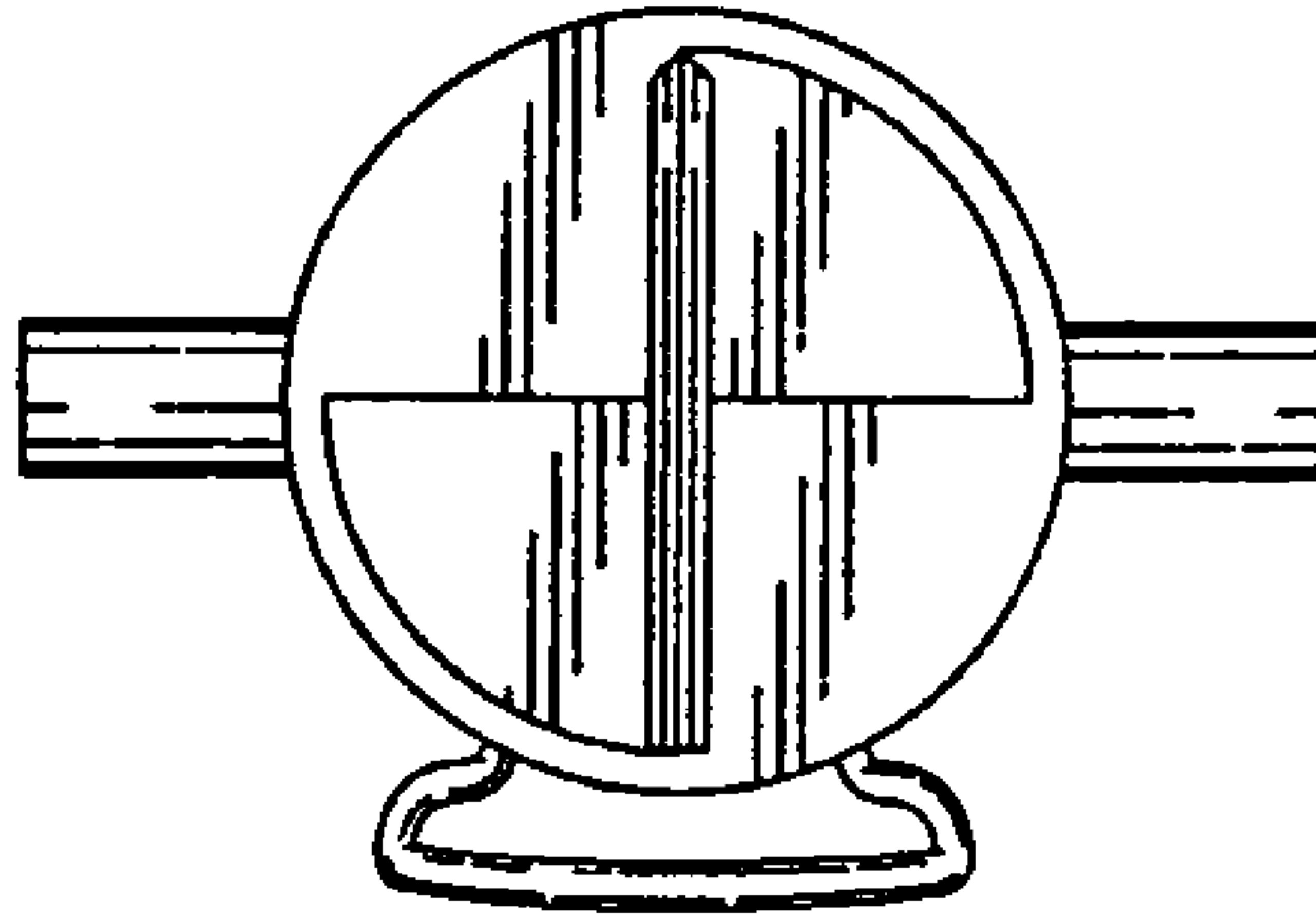


Fig. 5

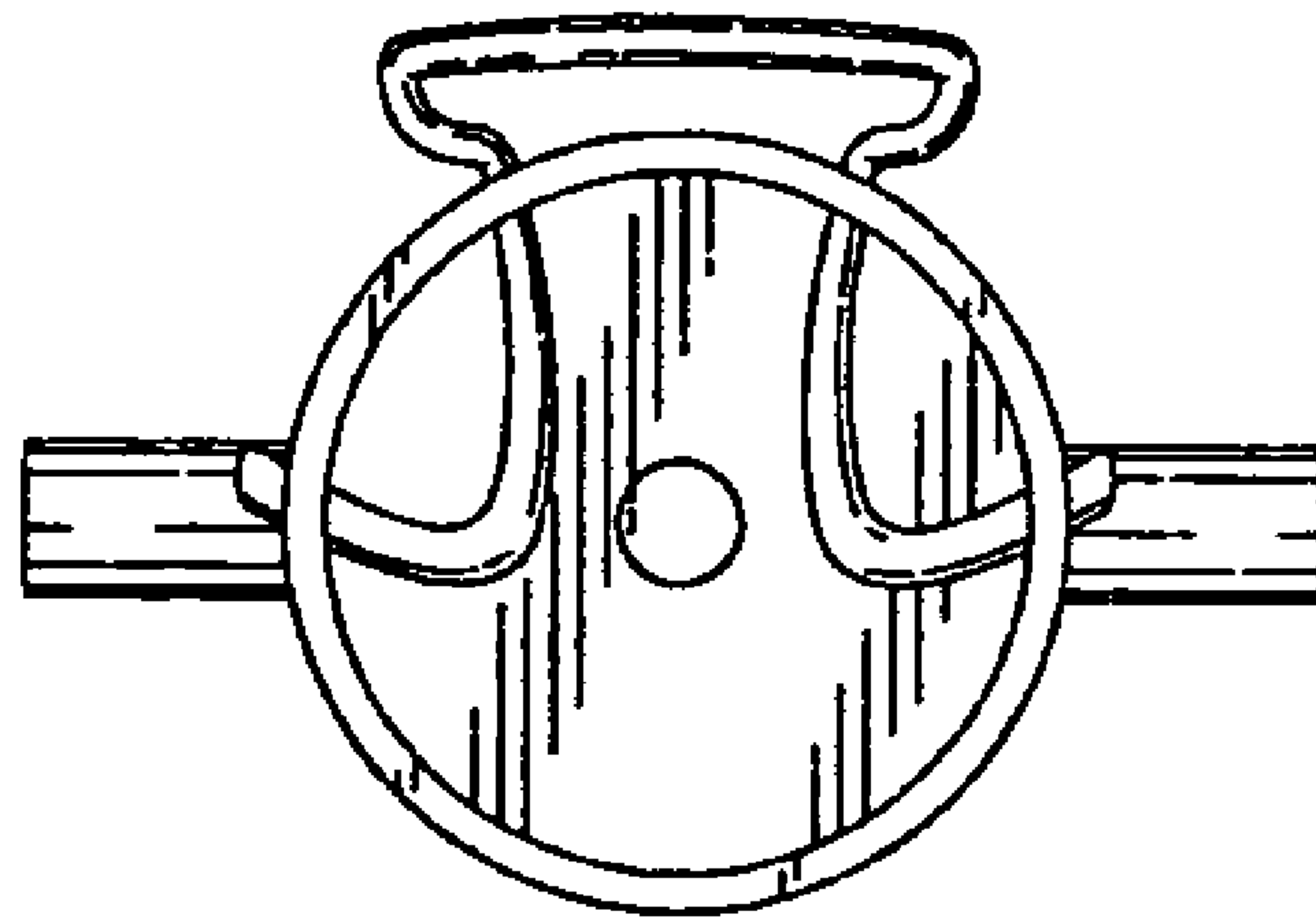


Fig. 6