



US00D593389S

(12) **United States Design Patent**
Clayton

(10) **Patent No.:** **US D593,389 S**

(45) **Date of Patent:** **** Jun. 2, 2009**

(54) **DUST SHROUD**

(76) **Inventor:** **Brad Smythe Clayton**, 205 Riverside Dr., Brick, NJ (US) 08724

(**) **Term:** **14 Years**

(21) **Appl. No.:** **29/319,489**

(22) **Filed:** **Jun. 10, 2008**

(51) **LOC (9) Cl.** **08-05**

(52) **U.S. Cl.** **D8/70**

(58) **Field of Classification Search** D8/61-71;
D15/138, 139, 140; 30/123, 124, 390, 475;
173/75, 198, 209; 451/164, 344, 351, 353,
451/356, 357, 359, 442, 453, 456; 408/67,
408/112, 137, 241 S

See application file for complete search history.

(56) **References Cited**

U.S. PATENT DOCUMENTS

2,994,235	A *	8/1961	Rise	408/112
3,850,254	A *	11/1974	Hirdes	173/75
4,064,952	A *	12/1977	Lechner	175/209
D246,947	S *	1/1978	Glover	D8/71
D305,607	S *	1/1990	Andrews	D8/70
5,090,499	A *	2/1992	Cuneo	173/75
5,113,951	A *	5/1992	Houben et al.	173/75
5,129,467	A *	7/1992	Watanabe et al.	173/75
5,467,835	A *	11/1995	Obermeier et al.	173/75
D376,526	S *	12/1996	Hepburn	D8/70
5,904,453	A *	5/1999	Gavia	408/67
D499,946	S *	12/2004	Stirm	D8/70
6,854,937	B1 *	2/2005	Weiss	408/67
6,887,146	B2 *	5/2005	Staas et al.	408/67

D513,161	S *	12/2005	Chilton	D8/70
D515,384	S *	2/2006	Hutchings	D8/70
7,182,150	B2 *	2/2007	Grossman	408/67
D556,529	S *	12/2007	Gamble et al.	D8/70
2002/0141836	A1 *	10/2002	Ege et al.	408/67

* cited by examiner

Primary Examiner—Holly H Baynham

Assistant Examiner—Cynthia M Chin

(74) *Attorney, Agent, or Firm*—Scott H. Kaliko; Kaliko & Associates

(57) **CLAIM**

The ornamental design for a dust shroud, as shown and described.

DESCRIPTION

FIG. 1 is a perspective view of the dust shroud design of the present invention;

FIG. 2 is an exploded perspective view thereof;

FIG. 3 shows a side elevation view thereof;

FIG. 4 shows an opposite side elevation view thereof;

FIG. 5 is another side elevational view thereof;

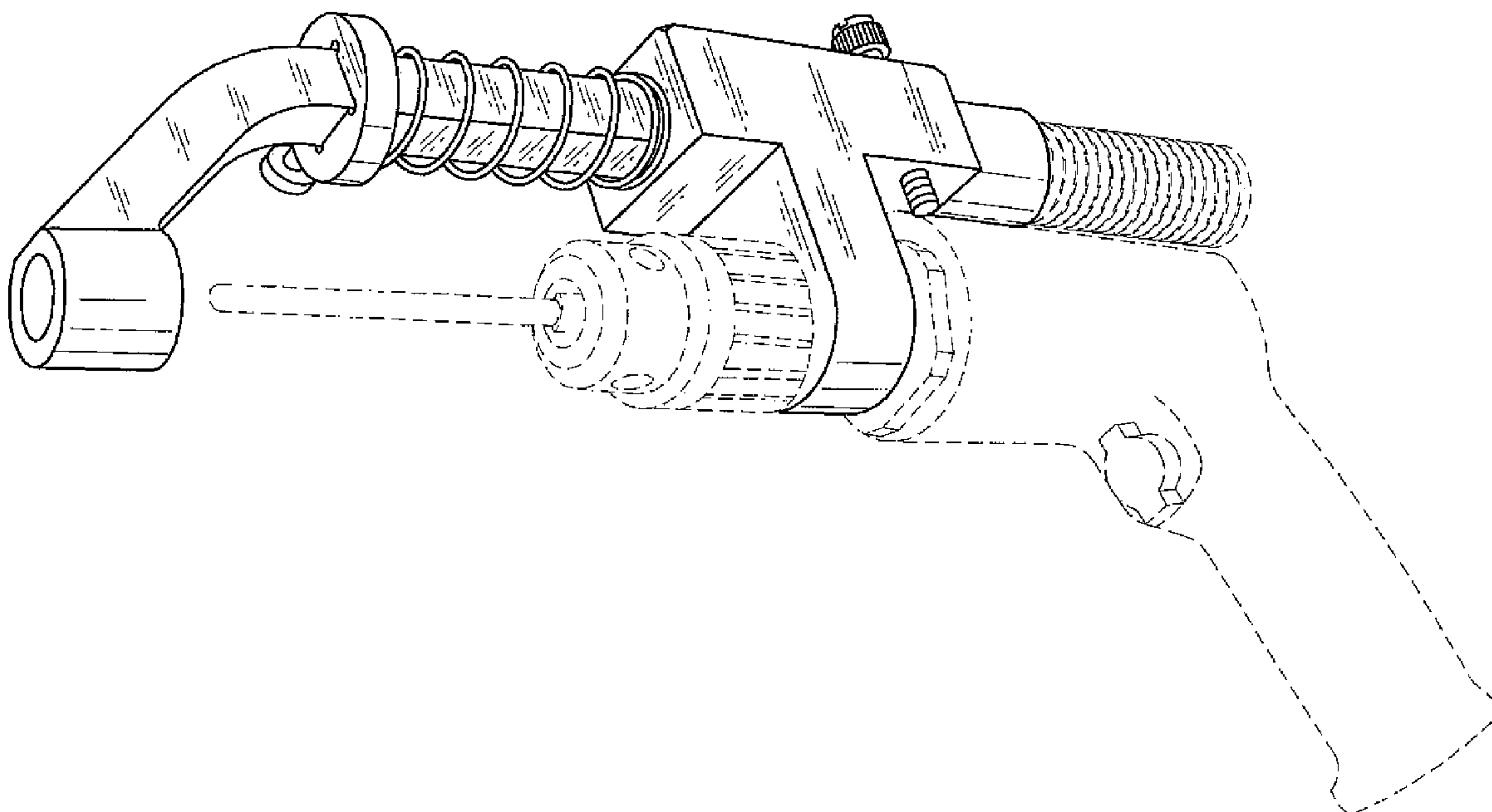
FIG. 6 is an opposite side elevational view of the side shown in FIG. 5;

FIG. 7 shows a top view thereof; and,

FIG. 8 shows a bottom view thereof.

The broken lines shown in FIGS. 1, 5-8 represent the environment in which the design resides and forms no part of the claim.

1 Claim, 8 Drawing Sheets



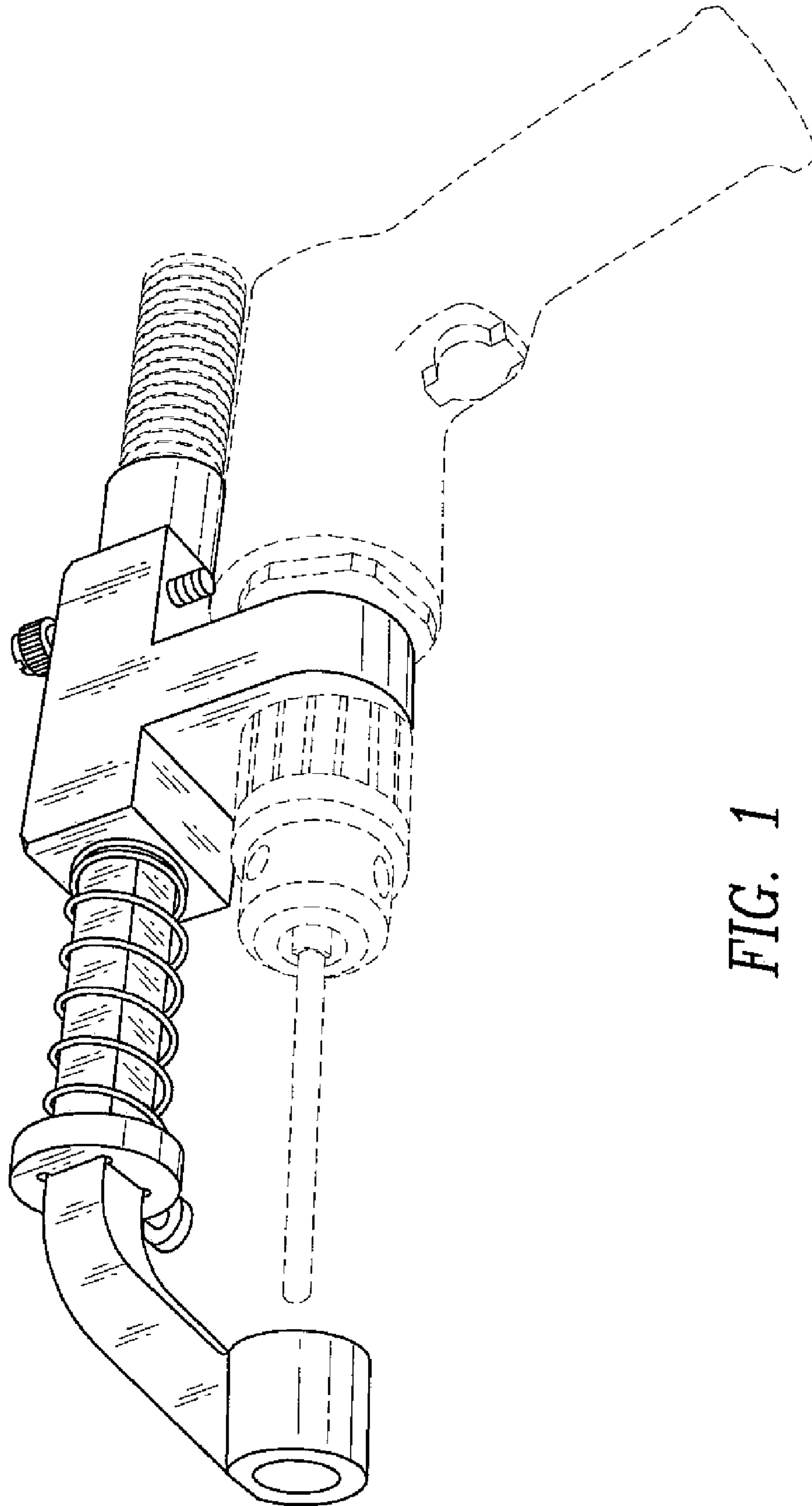


FIG. 1

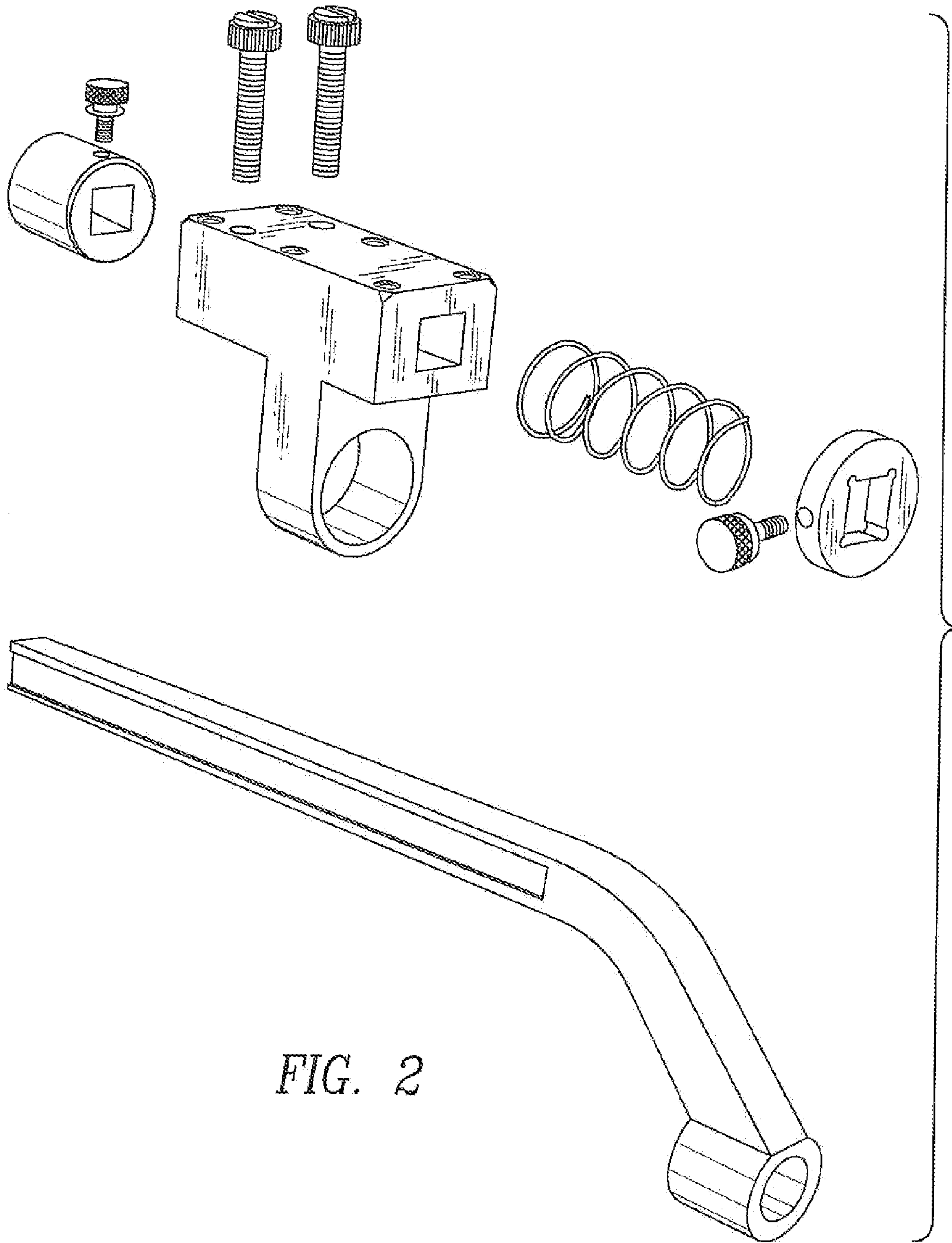


FIG. 2

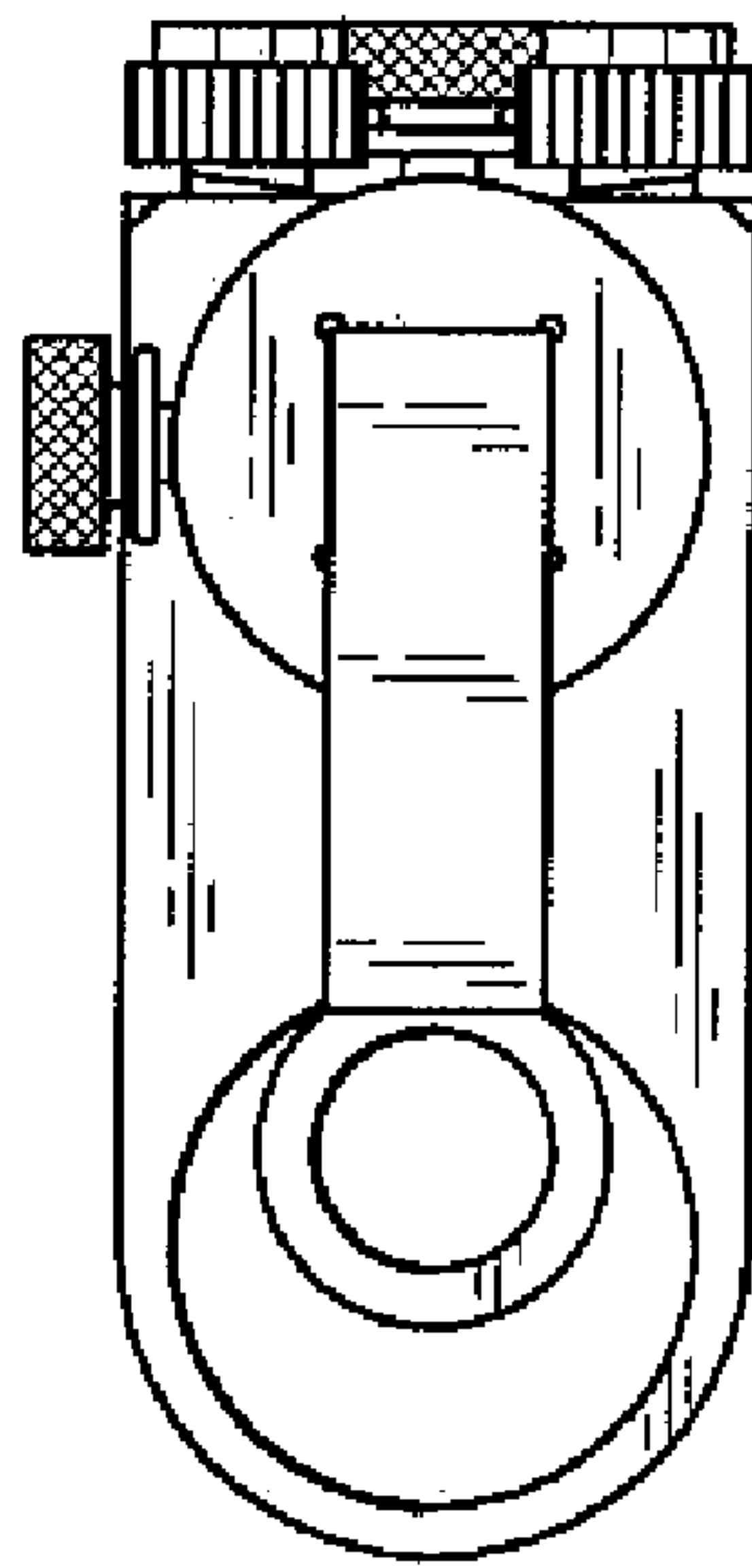


FIG. 3

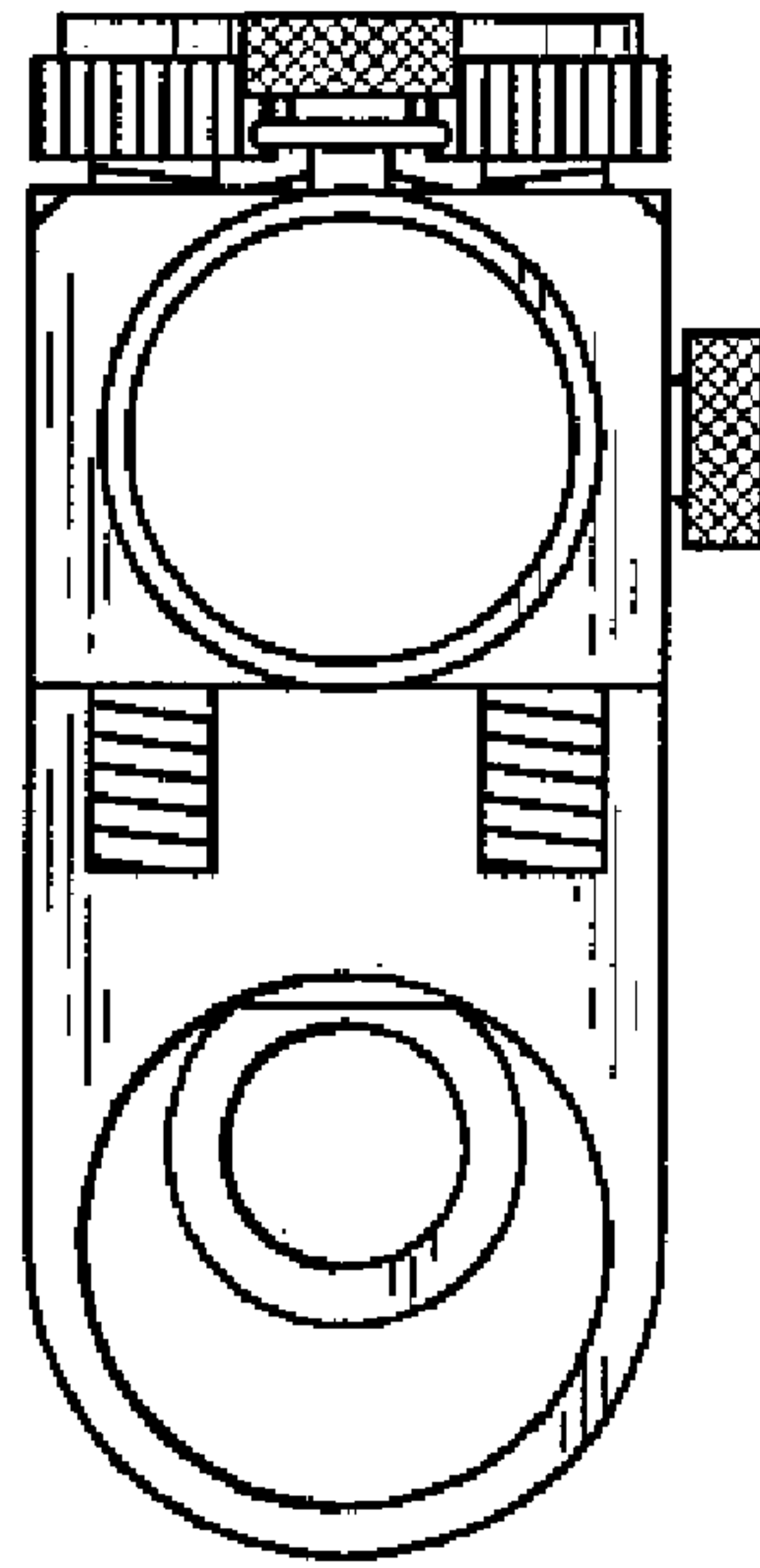


FIG. 4

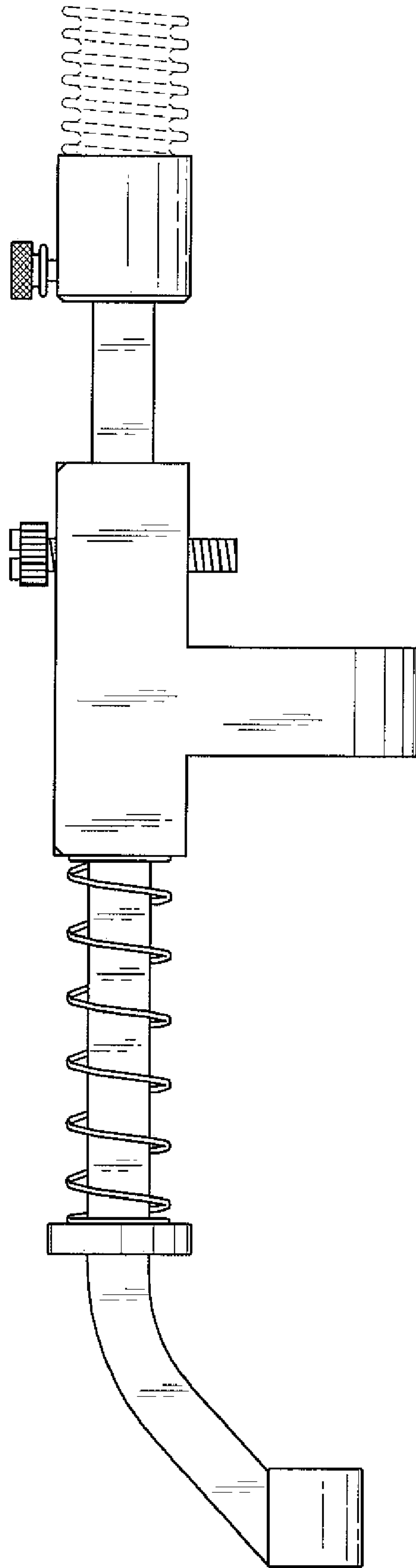


FIG. 5

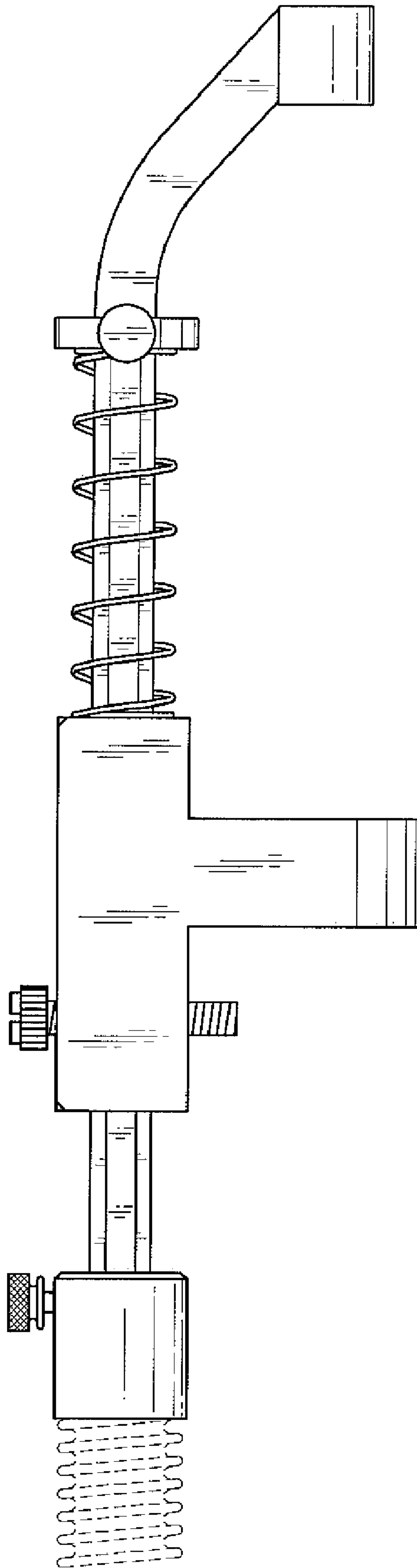


FIG. 6

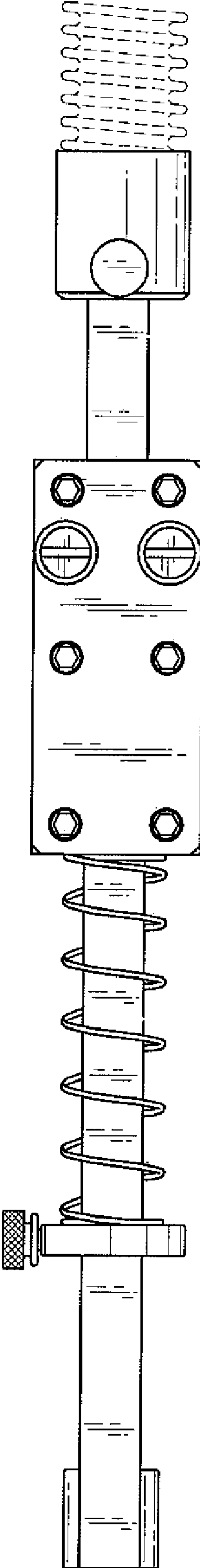


FIG. 7

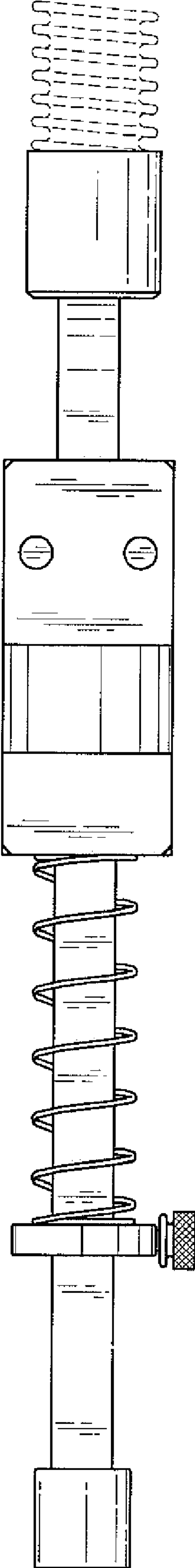


FIG. 8