



US00D593387S

(12) **United States Design Patent**  
**Liao**

(10) **Patent No.:** **US D593,387 S**  
(45) **Date of Patent:** **\*\* Jun. 2, 2009**

(54) **PNEUMATIC TOOL HOUSING**

(76) Inventor: **Yu-Hui Liao**, No. 206-19, Sec. 1,  
Guoguang Rd., Dali City, Taichung  
County 412 (TW)

(\*\*) Term: **14 Years**

(21) Appl. No.: **29/310,975**

(22) Filed: **Sep. 22, 2008**

(51) **LOC (9) Cl.** ..... **08-06**

(52) **U.S. Cl.** ..... **D8/68; D8/61**

(58) **Field of Classification Search** ..... D8/14.1,  
D8/61-70; 81/57.11, 429, 454-456, 469,  
81/489; 173/13, 104, 114, 168-171, 178,  
173/201, 211, 213, 217; 408/20, 124, 125,  
408/234, 241 R; 451/358; 310/50; 227/8,  
227/113, 114, 120, 130, 136, 142

See application file for complete search history.

(56) **References Cited**

**U.S. PATENT DOCUMENTS**

4,156,990 A \* 6/1979 Rutkowski ..... 451/358  
4,416,338 A \* 11/1983 Nelson et al. .... 173/206

5,017,109 A \* 5/1991 Albert et al. .... 418/152  
2007/0296286 A1 \* 12/2007 Avenell ..... 310/50  
2008/0006424 A1 \* 1/2008 Honsa ..... 173/162.1  
2008/0264212 A1 \* 10/2008 Leupert ..... 81/57.11

\* cited by examiner

*Primary Examiner*—Antoine D Davis

(74) *Attorney, Agent, or Firm*—Charles E. Baxley

(57) **CLAIM**

The ornamental design for a pneumatic tool housing, as shown and described.

**DESCRIPTION**

FIG. 1 is a perspective view of a pneumatic tool housing showing my new design;

FIG. 2 is a front elevational view thereof;

FIG. 3 is a rear elevational view thereof;

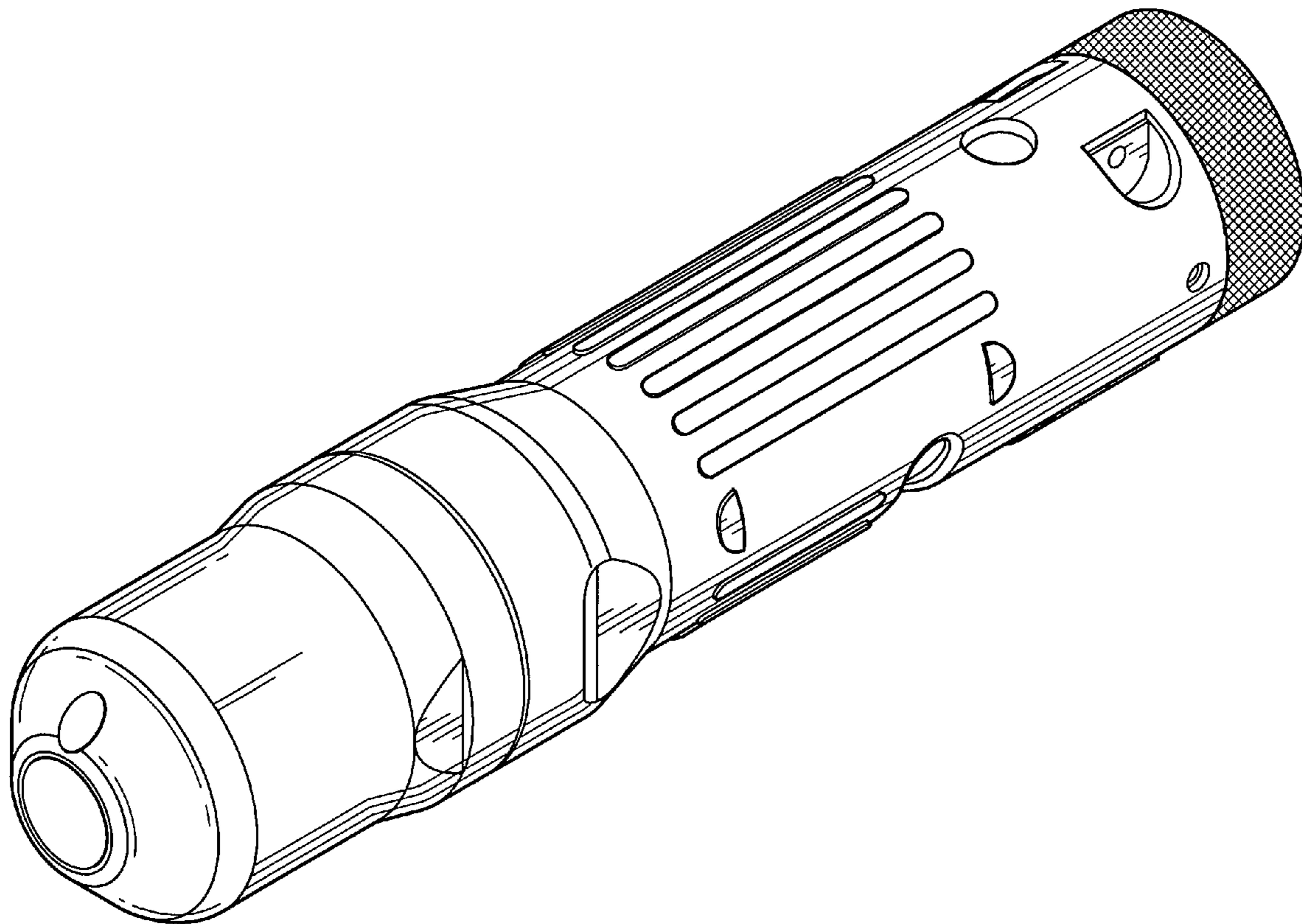
FIG. 4 is a left side view thereof;

FIG. 5 is a right side view of;

FIG. 6 is a top plan view thereof; and,

FIG. 7 is a bottom plan view thereof.

**1 Claim, 6 Drawing Sheets**



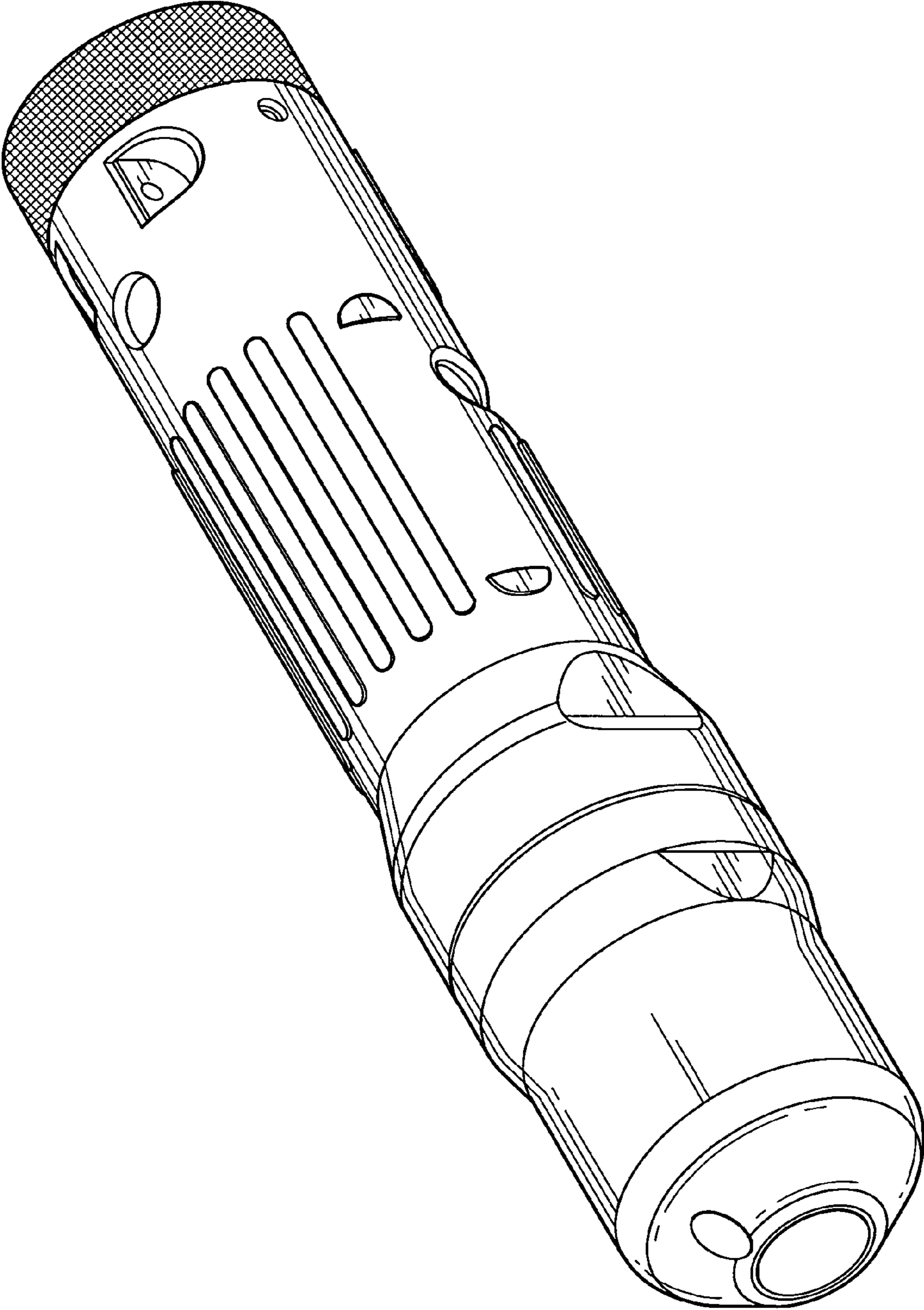


FIG. 1

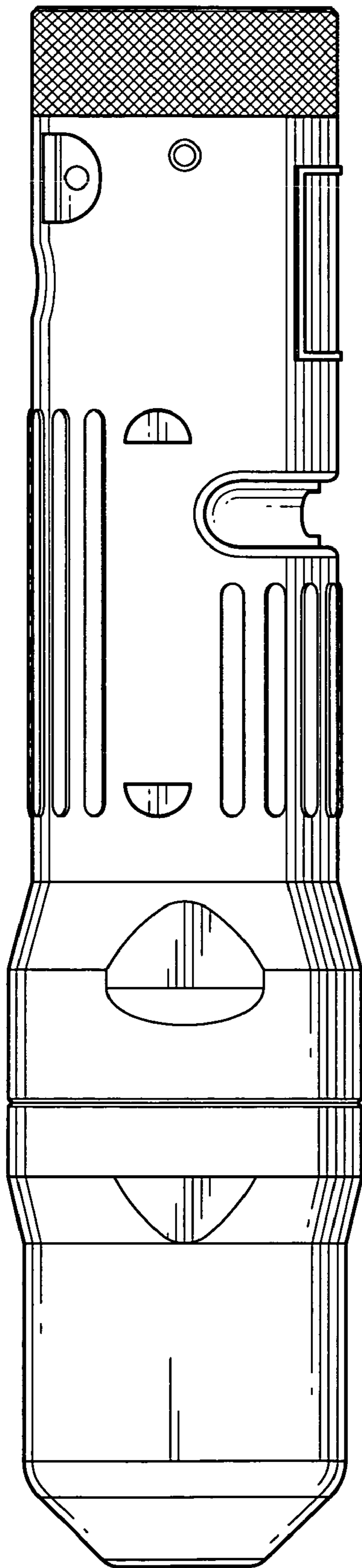


FIG. 2

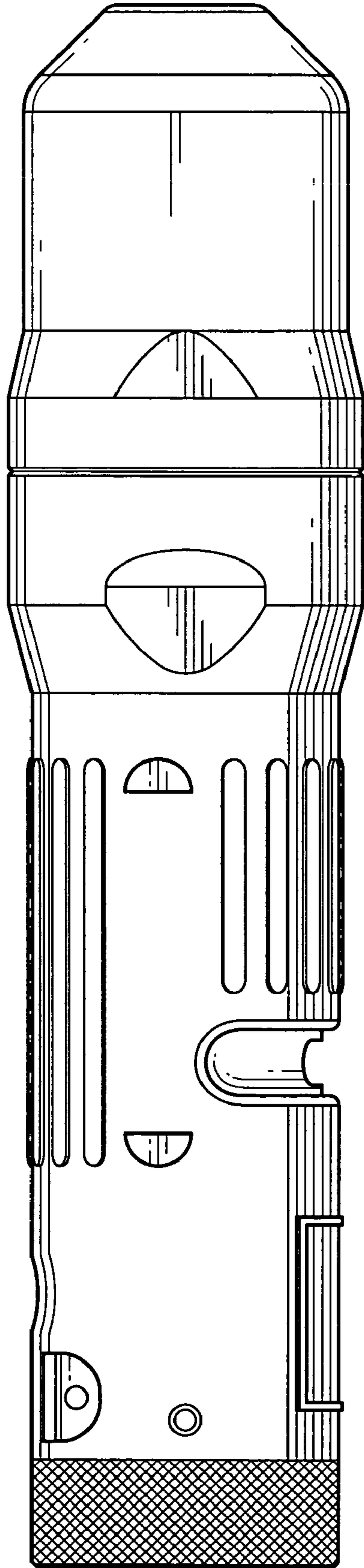


FIG. 3



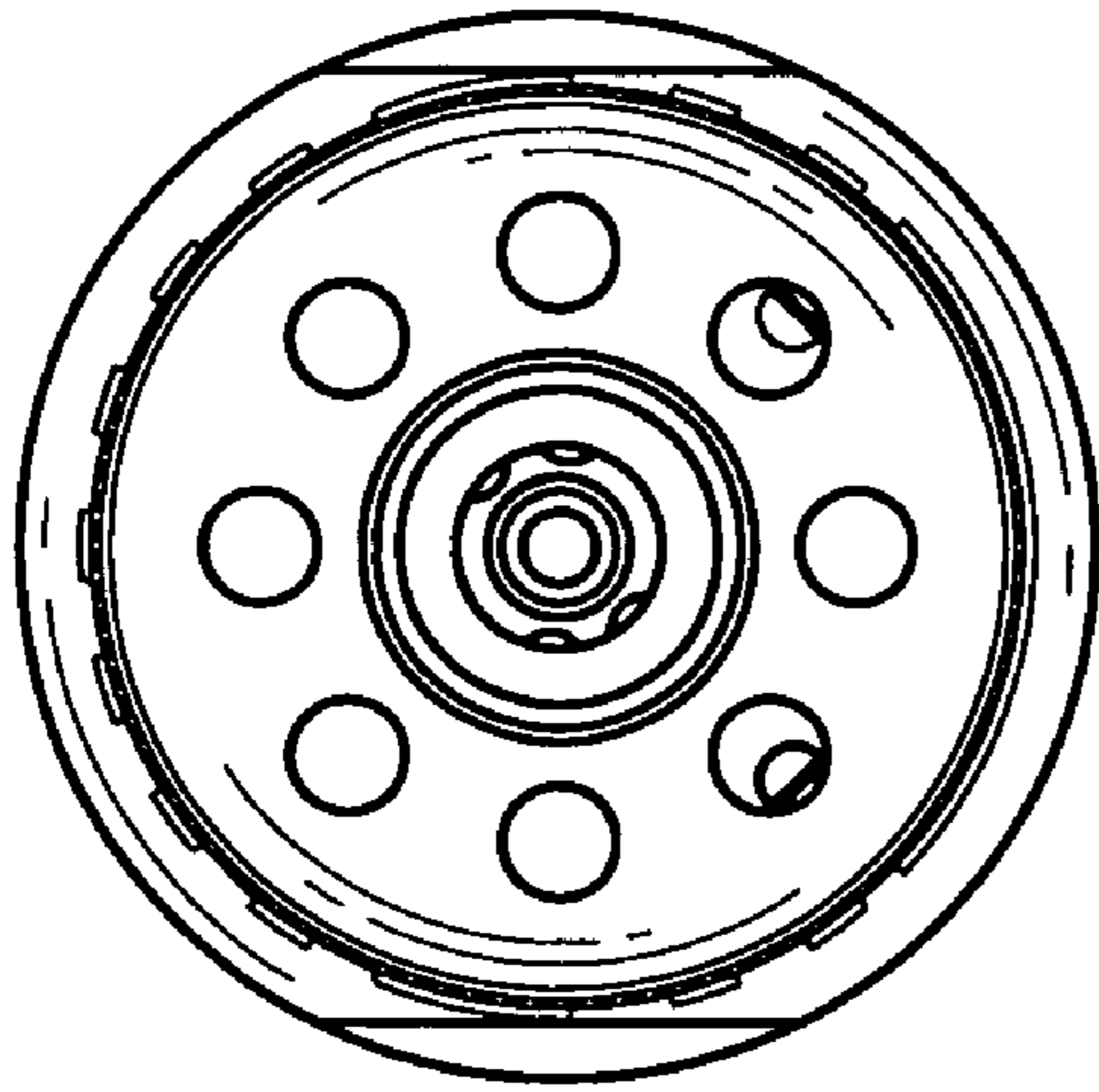


FIG. 5

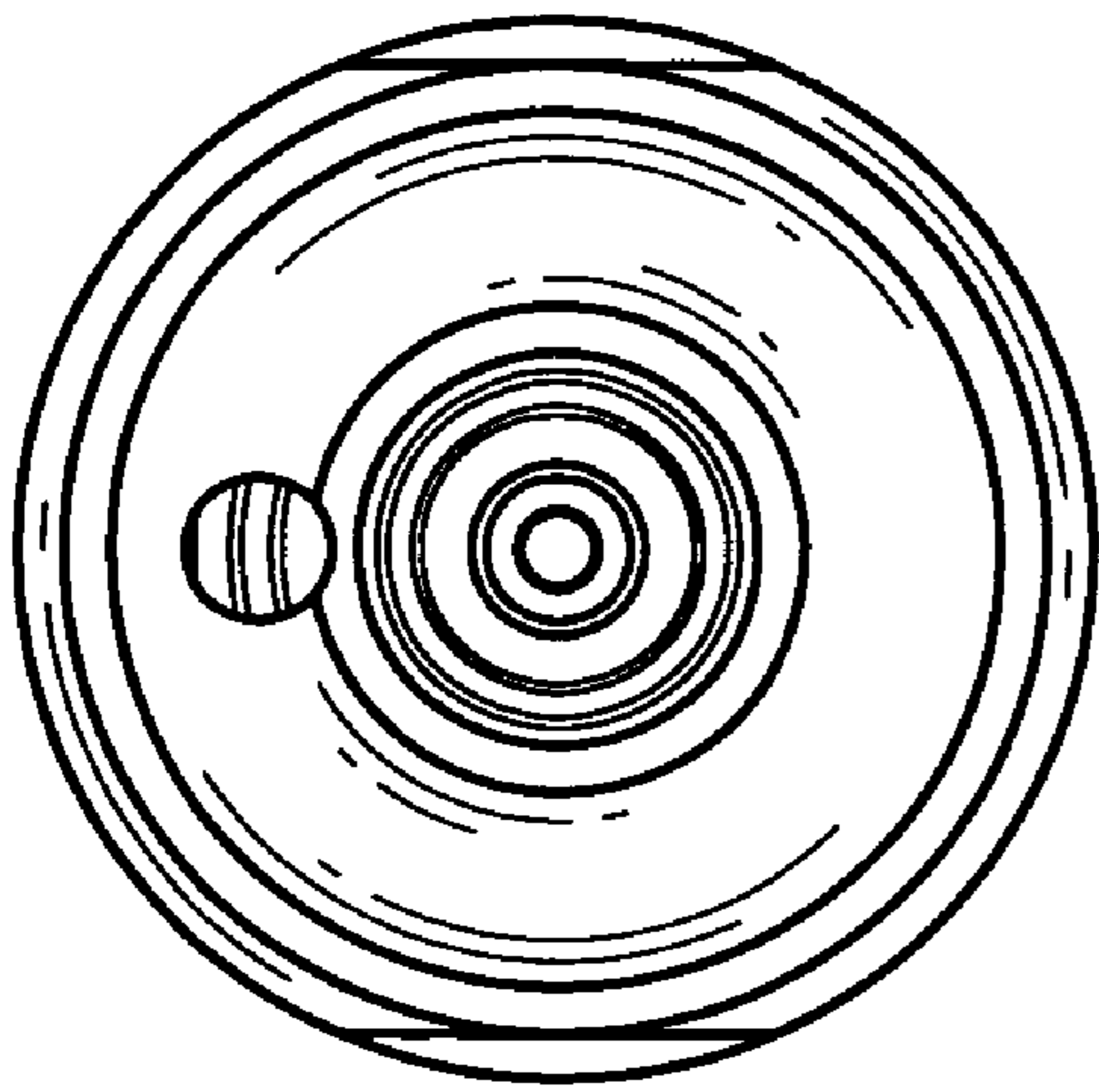


FIG. 4

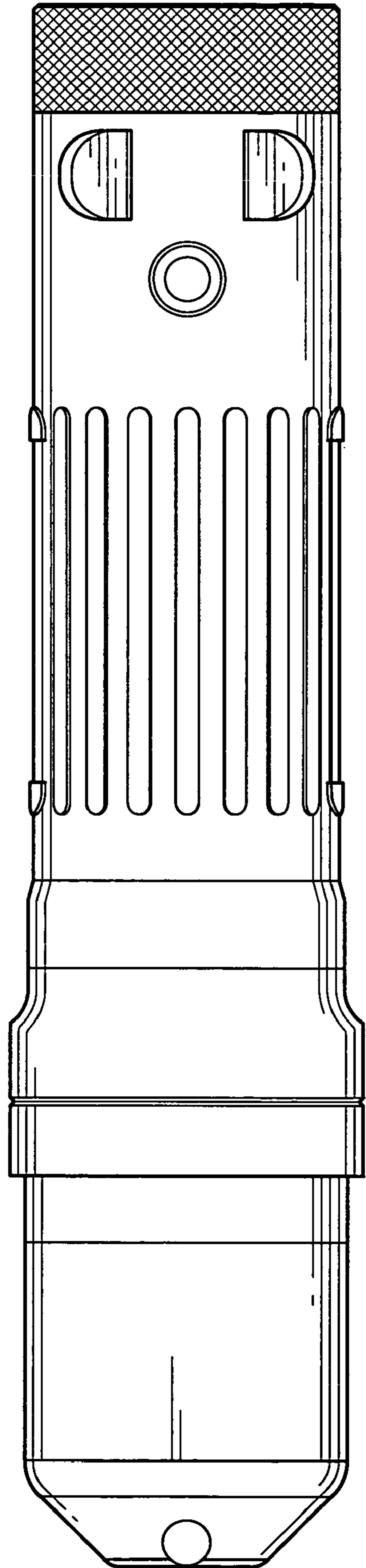


FIG. 6

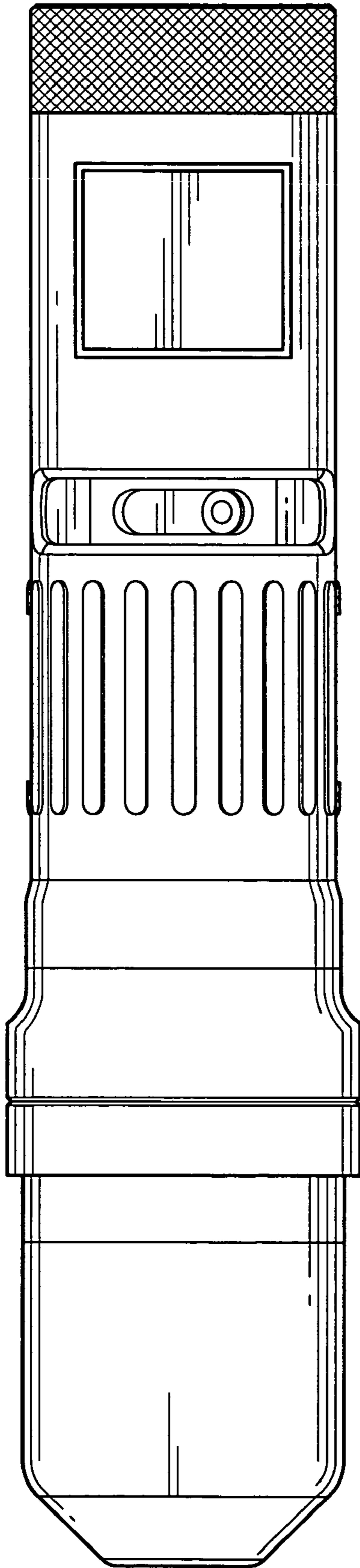


FIG. 7