



US00D593386S

(12) **United States Design Patent**
Liao

(10) **Patent No.:** **US D593,386 S**
(45) **Date of Patent:** **** Jun. 2, 2009**

(54) **PNEUMATIC TOOL HOUSING**

(76) Inventor: **Yu-Hui Liao**, No. 206-19, Sec. 1,
Guoguang Rd., Dali City, Taichung
County 412 (TW)

(**) Term: **14 Years**

(21) Appl. No.: **29/310,974**

(22) Filed: **Sep. 22, 2008**

(51) **LOC (9) Cl.** **08-06**

(52) **U.S. Cl.** **D8/68**

(58) **Field of Classification Search** D8/14.1,
D8/61-70; 81/57.11, 429, 454-456, 469,
81/489; 173/13, 104, 114, 168-171, 178,
173/201, 211, 213, 217; 408/20, 124, 125,
408/234, 241 R; 451/358; 310/50; 227/8,
227/113, 114, 120, 130, 136, 142

See application file for complete search history.

(56) **References Cited**

U.S. PATENT DOCUMENTS

D458,103 S * 6/2002 Chen D8/68
D458,824 S * 6/2002 Chen D8/68

D459,177 S * 6/2002 Chen D8/68
D476,209 S * 6/2003 Chen D8/68
D485,148 S * 1/2004 Chen D8/68
2007/0158089 A1 * 7/2007 Chen et al. 173/210

* cited by examiner

Primary Examiner—Antoine D Davis

(74) *Attorney, Agent, or Firm*—Charles E. Baxley

(57) **CLAIM**

The ornamental design for a pneumatic tool housing, as shown and described.

DESCRIPTION

FIG. 1 is a perspective view of a pneumatic tool housing showing my new design;

FIG. 2 is a front elevational view thereof;

FIG. 3 is a rear elevational view thereof;

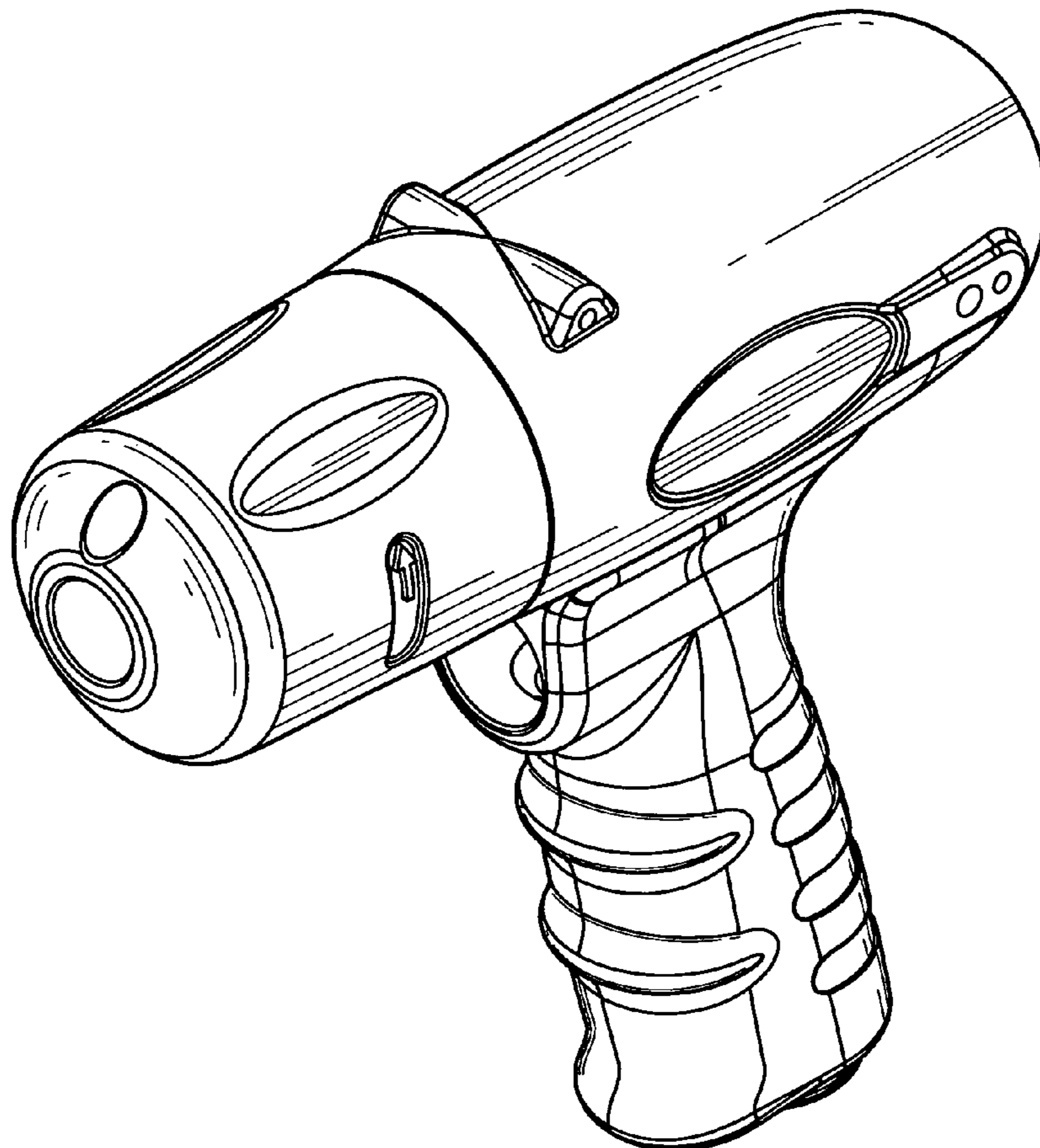
FIG. 4 is a left side view thereof;

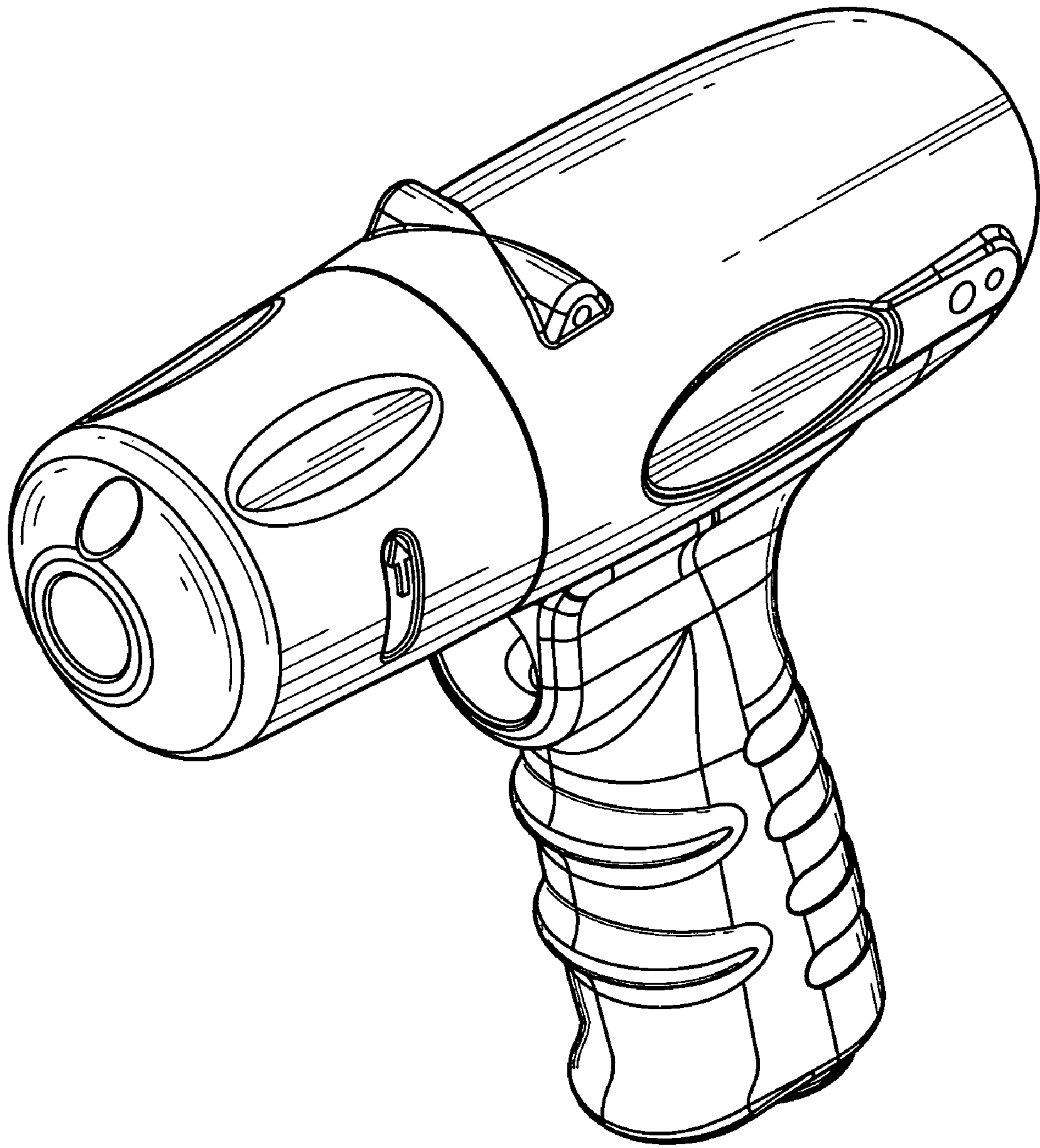
FIG. 5 is a right side view of;

FIG. 6 is a top plan view thereof; and,

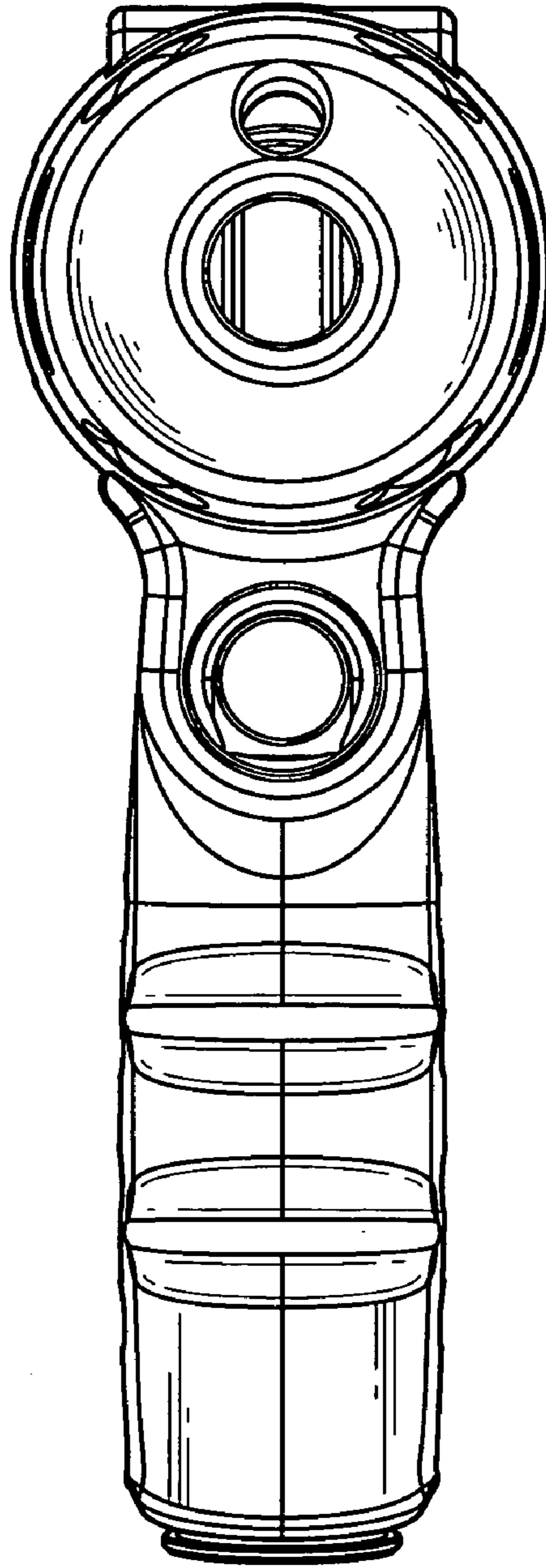
FIG. 7 is a bottom plan view thereof.

1 Claim, 7 Drawing Sheets





F I G . 1



F I G . 2

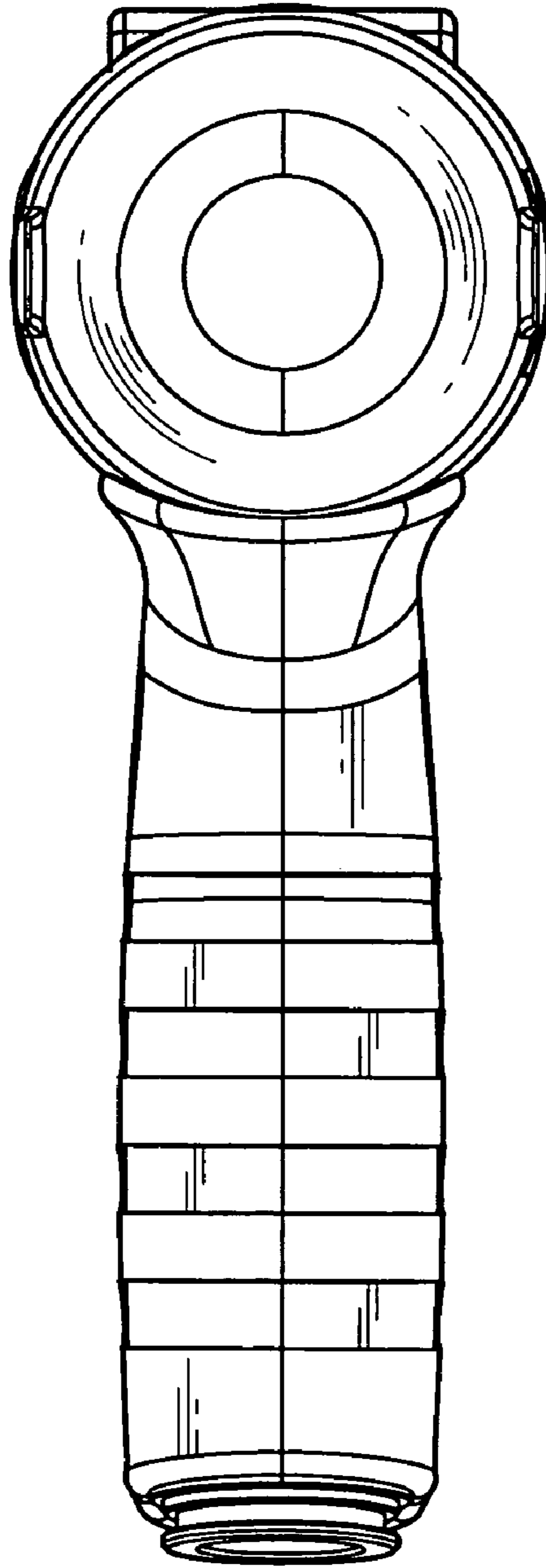
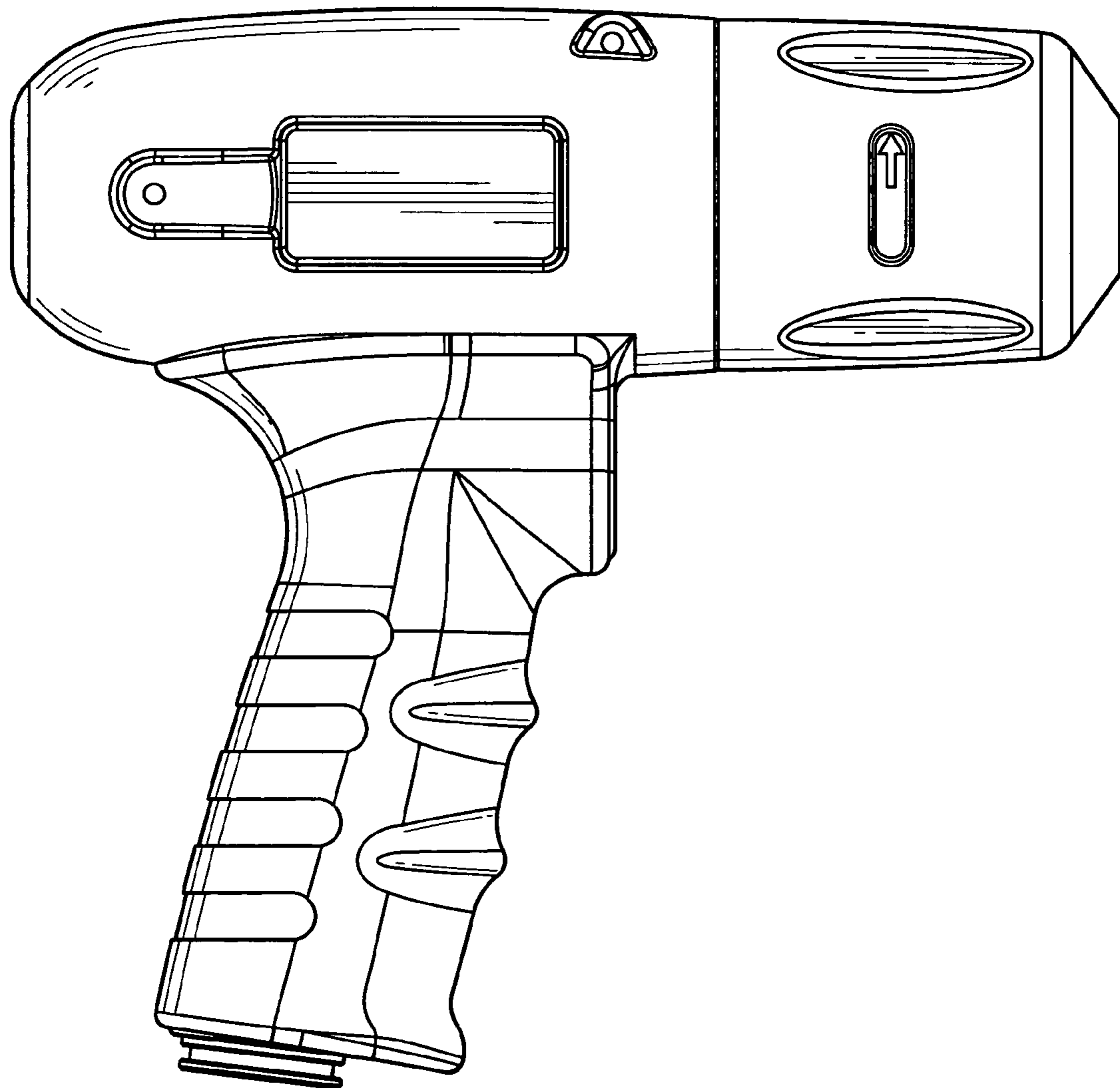
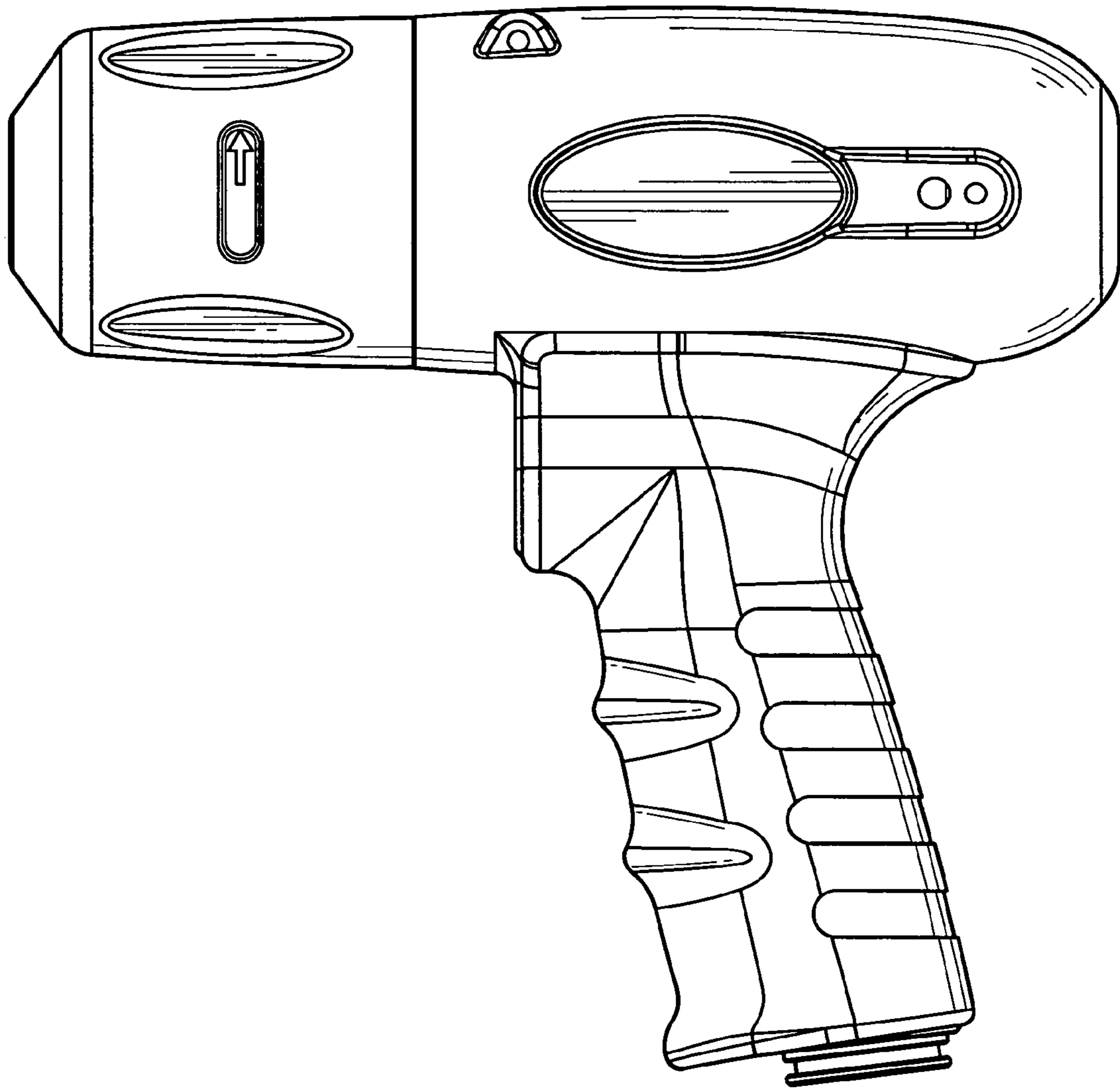


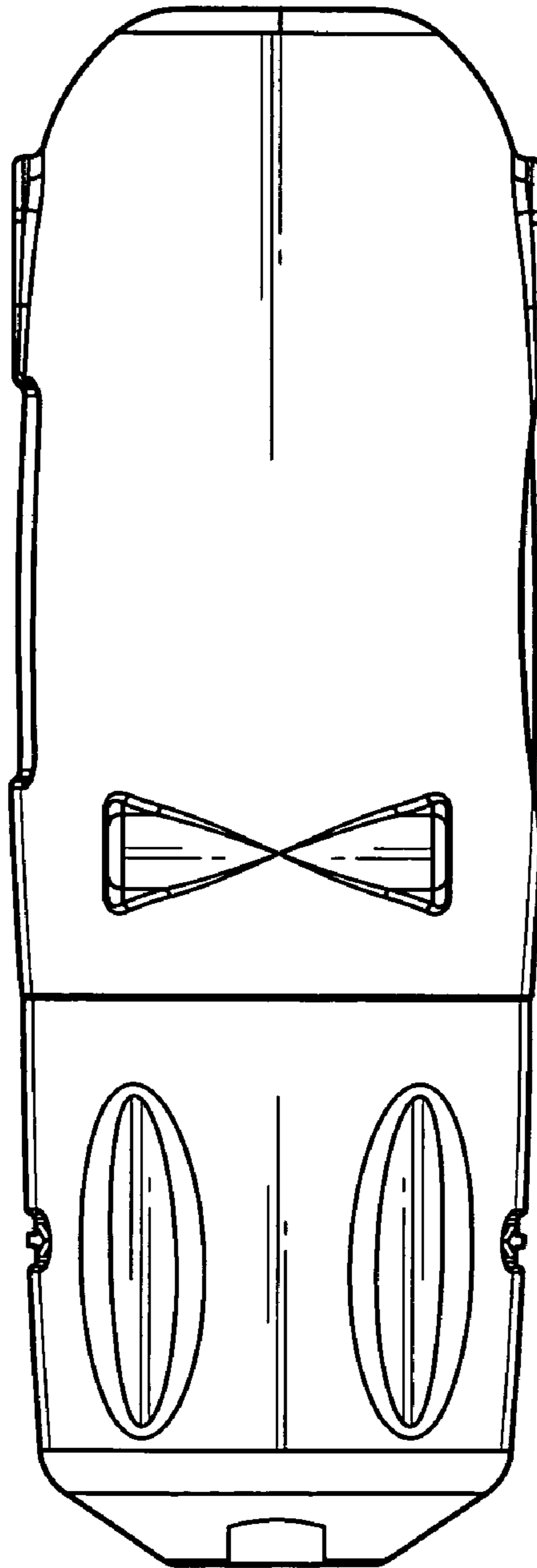
FIG. 3



F I G . 4



F I G . 5



F I G . 6

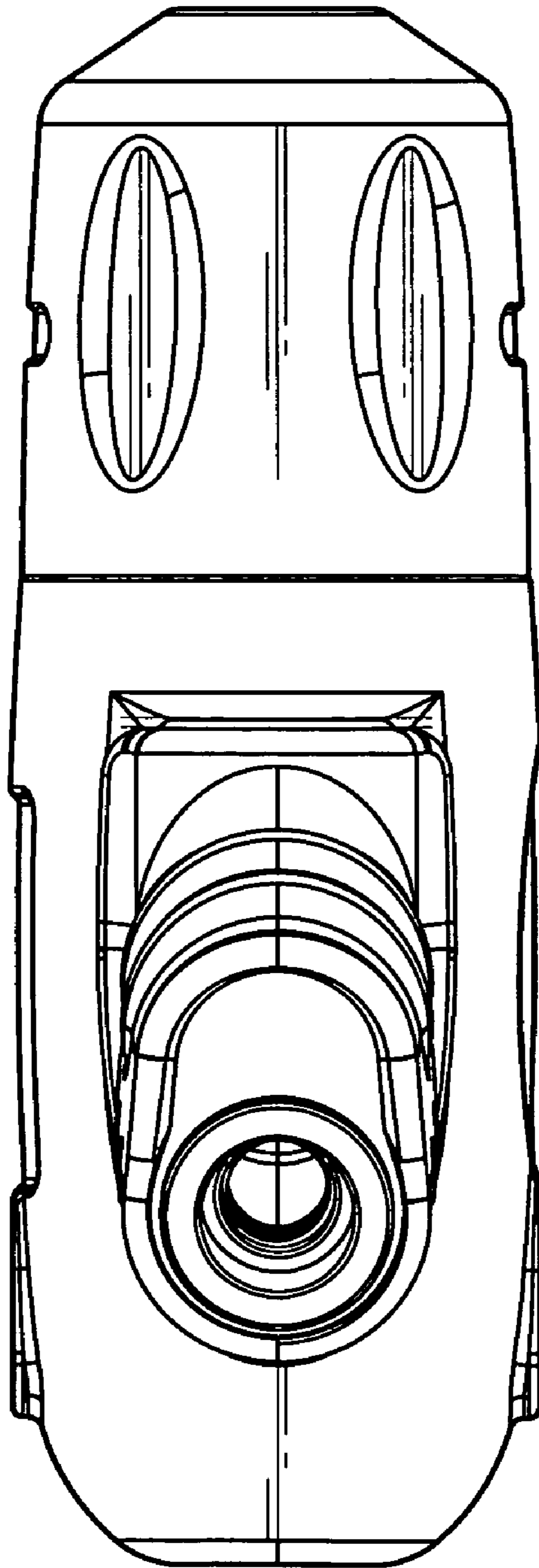


FIG. 7