



US00D593371S

(12) **United States Design Patent**  
**Karam**

(10) **Patent No.:** **US D593,371 S**  
(45) **Date of Patent:** **\*\* Jun. 2, 2009**

(54) **BEVERAGE CUP SLEEVE**

D401,122 S \* 11/1998 Rench et al. .... D7/624.2  
D411,079 S \* 6/1999 Graham ..... D7/624.2

(75) Inventor: **Carl Karam**, Granville (AU)

\* cited by examiner

(73) Assignee: **Carl-Louis Pty Ltd.**, Granville (AU)

*Primary Examiner*—Terry A Wallace

(\*\*) Term: **14 Years**

(74) *Attorney, Agent, or Firm*—Connolly Bove Lodge & Hutz LLP

(21) Appl. No.: **29/275,084**

(22) Filed: **Dec. 12, 2006**

(57) **CLAIM**

(30) **Foreign Application Priority Data**

I claim the ornamental design for a beverage cup sleeve, as shown and described.

Jun. 16, 2006 (AU) ..... 12602/2006

**DESCRIPTION**

(51) **LOC (9) Cl.** ..... **07-06**

FIG. 1 is a perspective view of a beverage container sleeve.

(52) **U.S. Cl.** ..... **D7/624.2**

FIG. 2 is a plan view of the sleeve of FIG. 1;

(58) **Field of Classification Search** ..... D7/619.1–625,  
D7/605–608; 62/457.1–457.7; 215/12.1,  
215/12.2, 13.1, 10; 206/503; 220/903, 673,  
220/737–739; 229/403

FIG. 3 is a front view of the outer surface of the beverage container sleeve of FIG. 1;

See application file for complete search history.

FIG. 4 is a right-hand side view of the outer surface of the beverage container of sleeve of FIG. 1, the left-hand side view being the same;

(56) **References Cited**

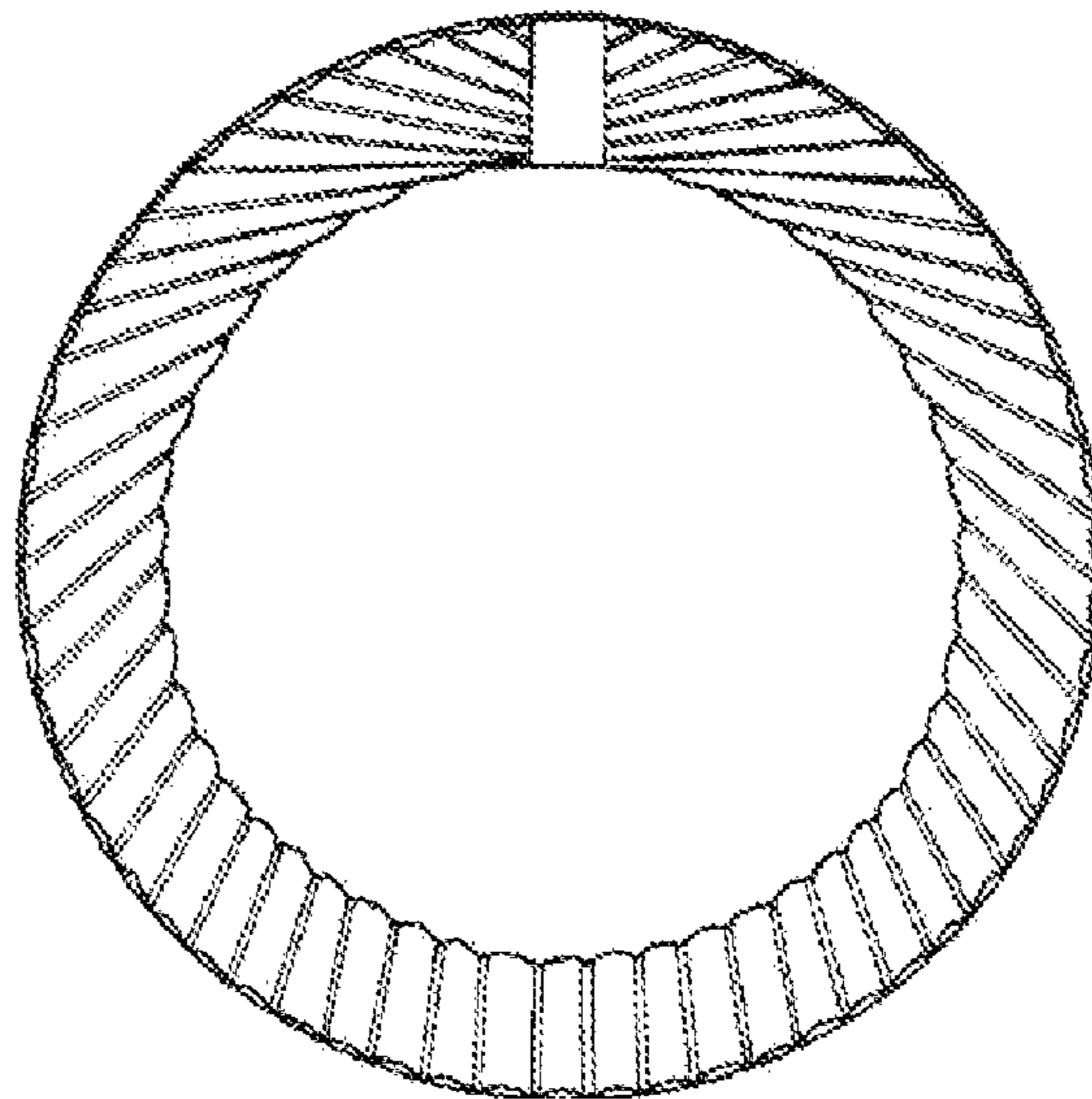
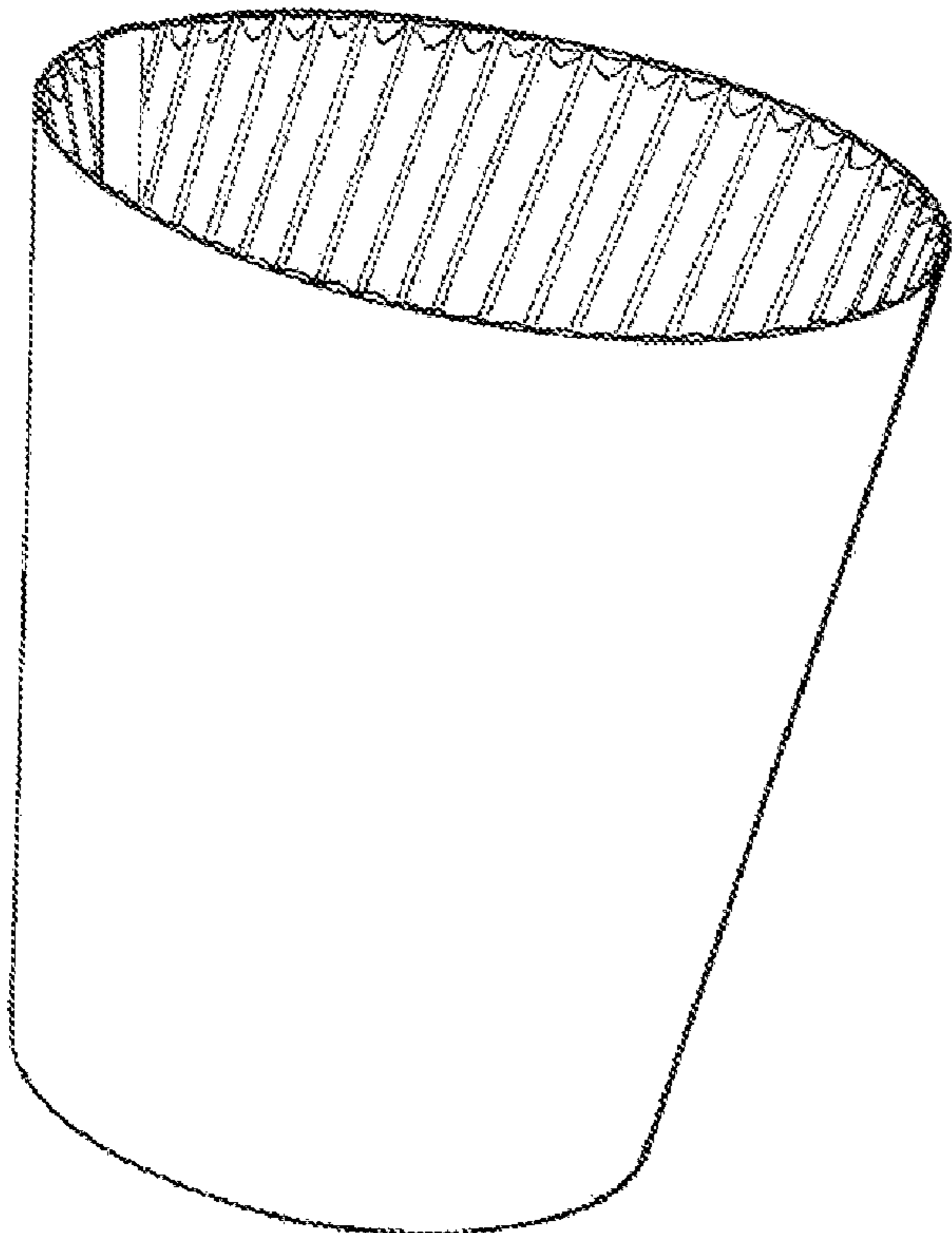
FIG. 5 is a rear view of the outside surface of the beverage container sleeve of FIG. 1; and,

**U.S. PATENT DOCUMENTS**

FIG. 6 is an inverted plan view of the beverage container sleeve of FIG. 1.

3,082,900 A \* 3/1963 Goodman ..... 220/592.17  
3,908,523 A \* 9/1975 Shikaya ..... 493/111  
5,267,685 A \* 12/1993 Sorensen ..... 206/503  
5,469,983 A \* 11/1995 Yawata ..... 229/403

**1 Claim, 2 Drawing Sheets**



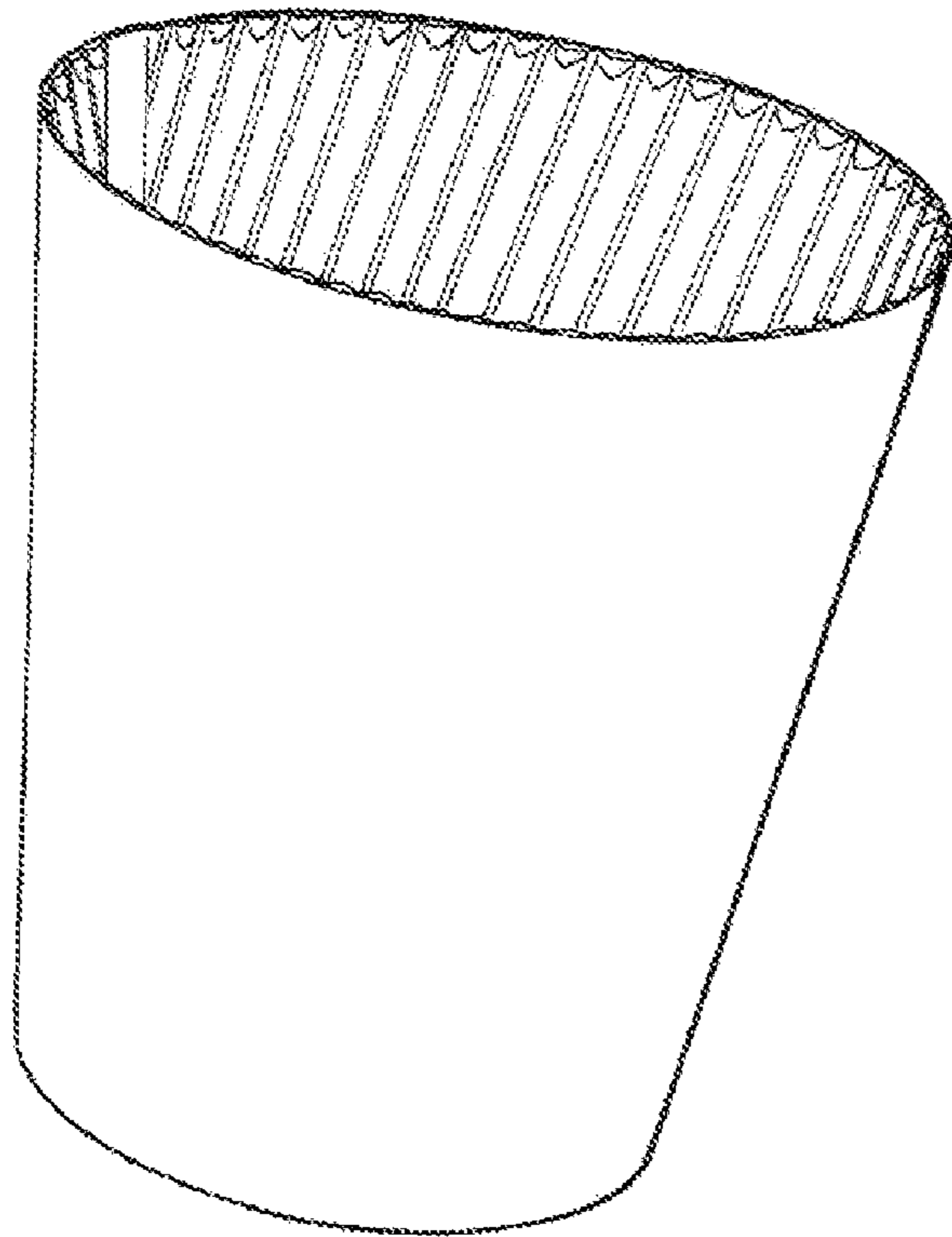


Fig. 1

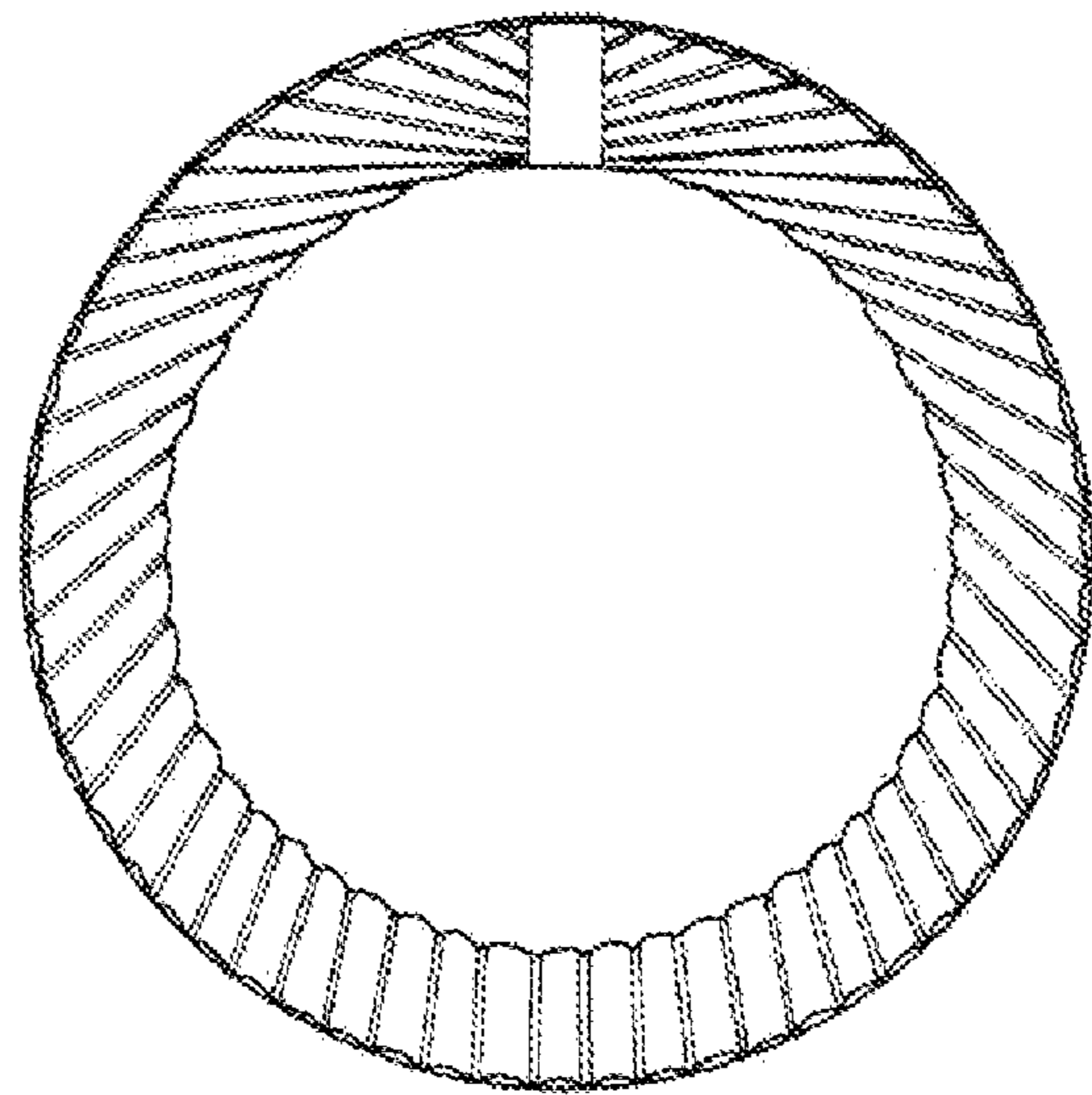


Fig. 2

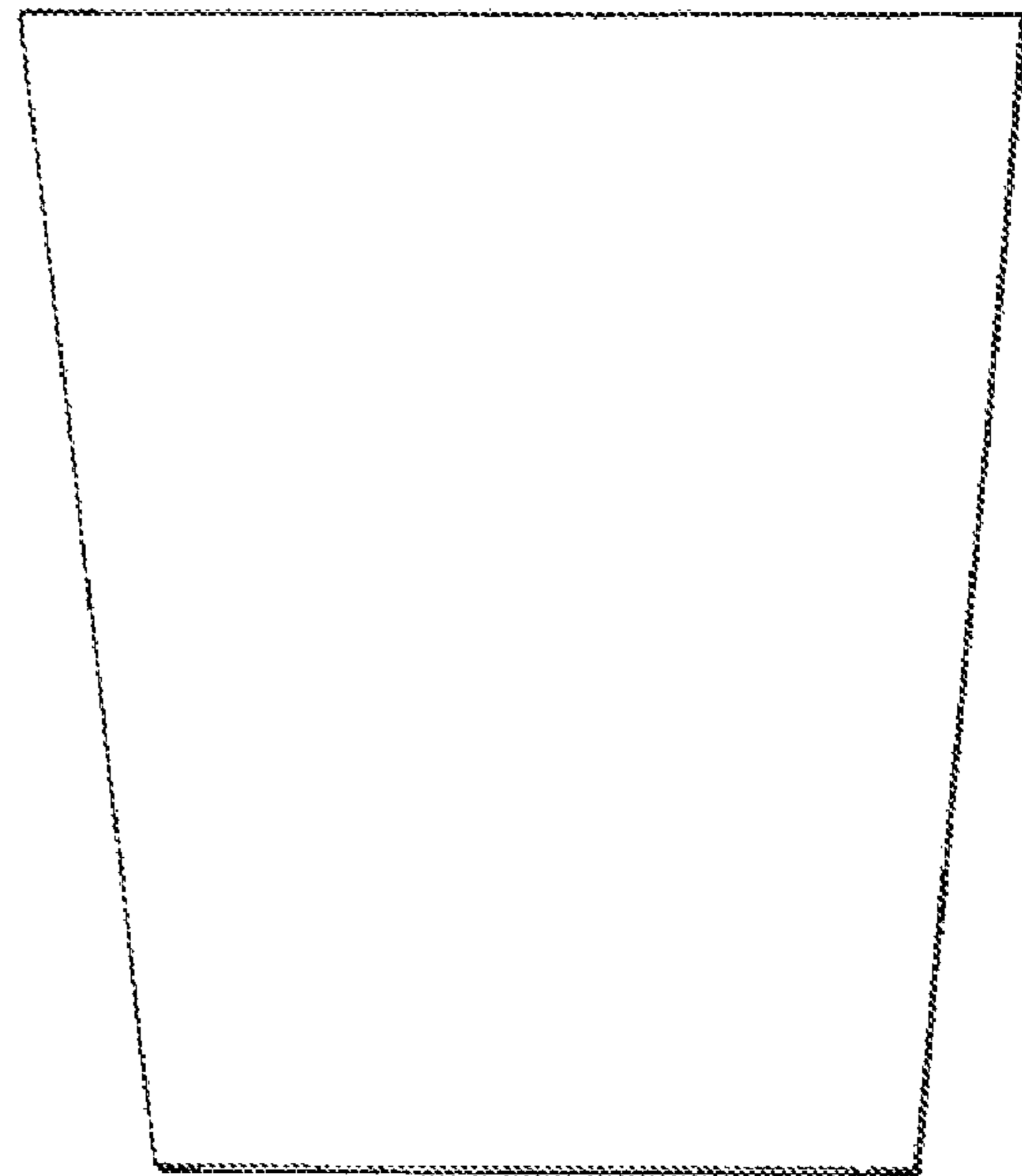
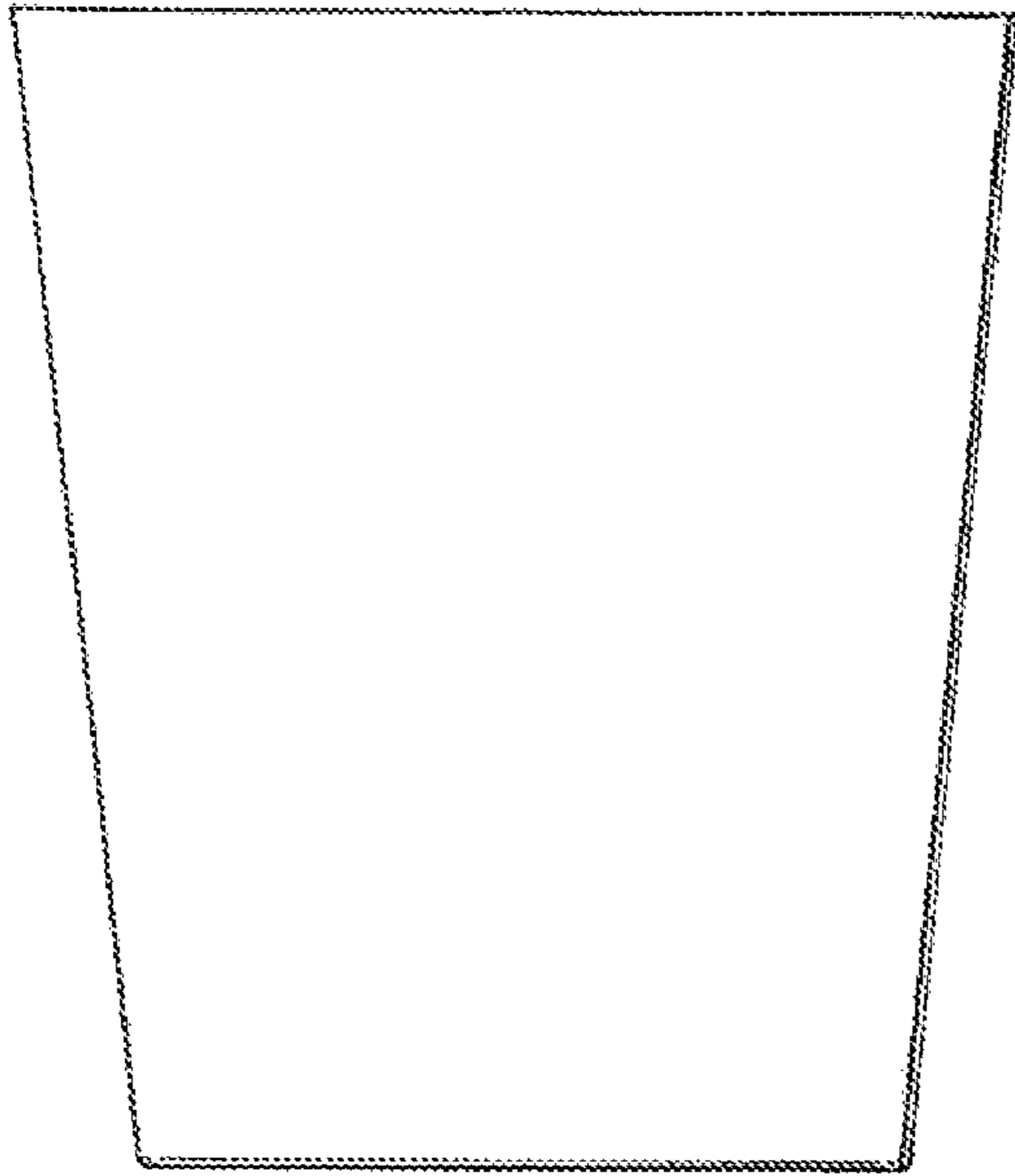
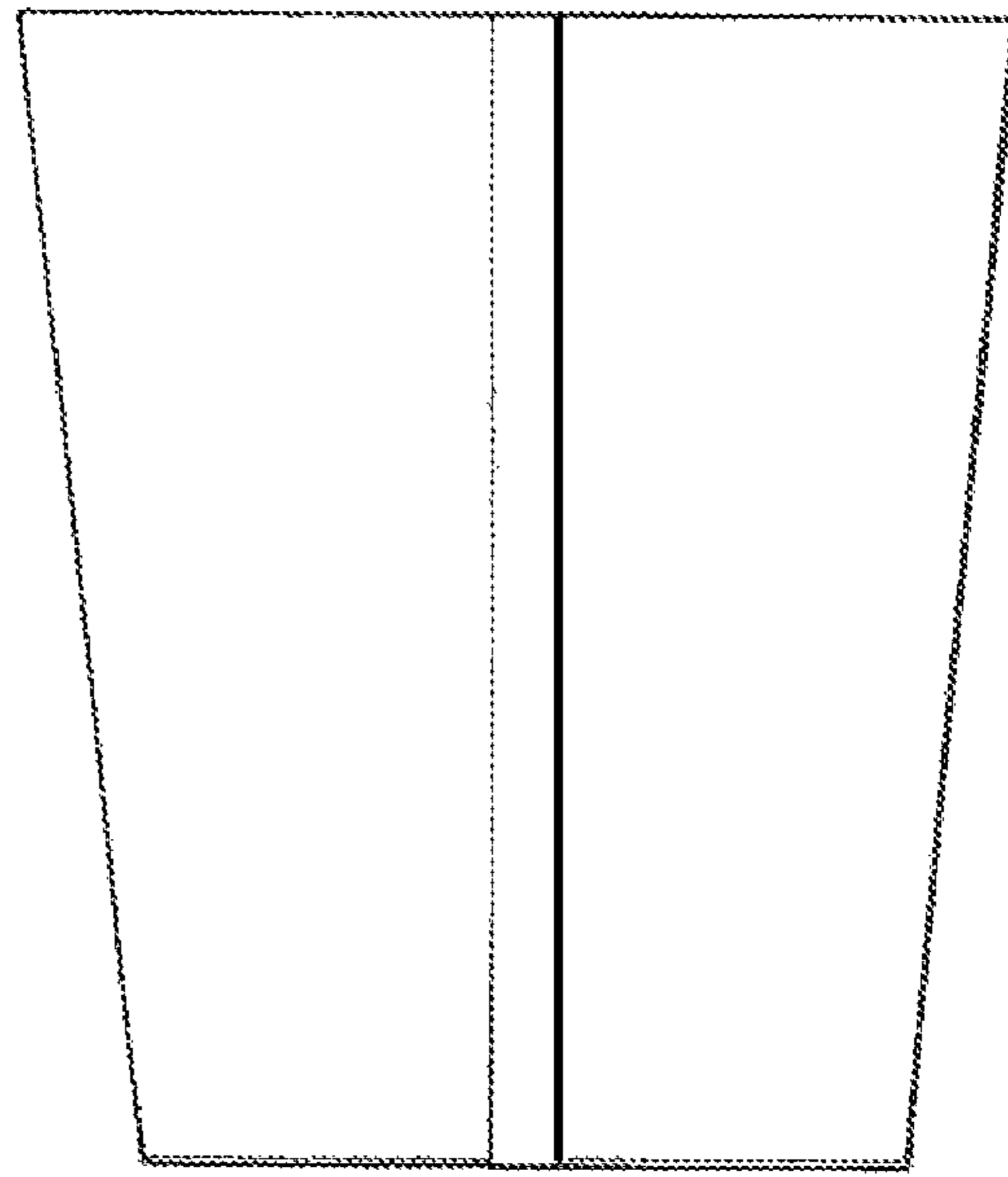


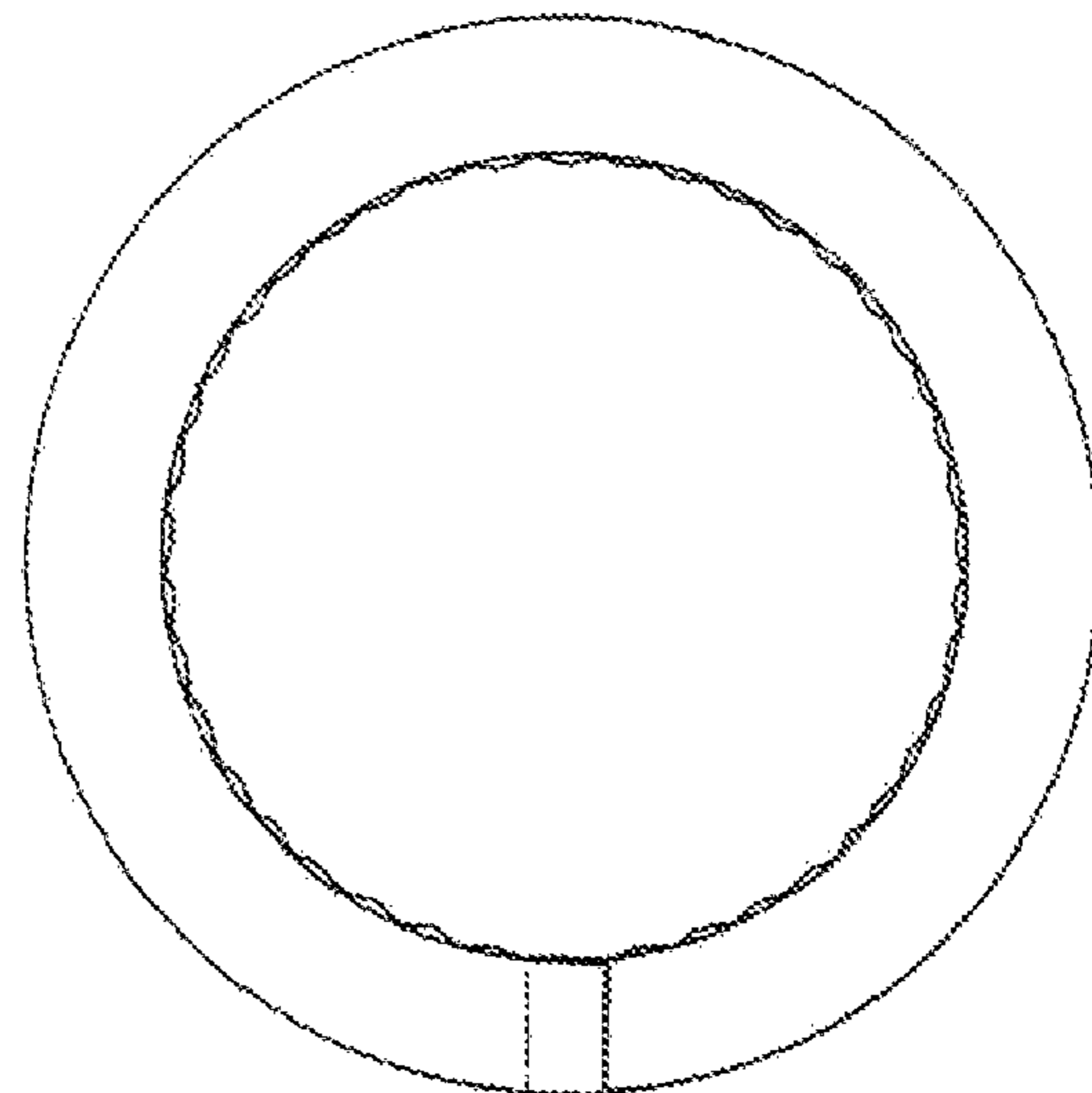
Fig. 3



*Fig. 4*



*Fig. 5*



*Fig. 6*