

US00D593367S

(12) **United States Design Patent**  
**Brooks**

(10) **Patent No.:** **US D593,367 S**

(45) **Date of Patent:** **\*\* Jun. 2, 2009**

(54) **WAVE MUG**

(75) Inventor: **Sammi Brooks**, Pasadena, CA (US)

(73) Assignee: **Sweda Company, LLC**, City of Industry, CA (US)

(\*\*) Term: **14 Years**

(21) Appl. No.: **29/310,204**

(22) Filed: **Jul. 31, 2008**

(51) **LOC (9) Cl.** ..... **07-01**

(52) **U.S. Cl.** ..... **D7/529; D7/509; D7/510**

(58) **Field of Classification Search** ..... **D7/507, D7/509, 510, 511, 523, 533, 536, 532, 529; 220/703, 602; 206/457**

See application file for complete search history.

(56) **References Cited**

**U.S. PATENT DOCUMENTS**

D444,349 S *	7/2001	Lin	.....	D7/510
D476,849 S *	7/2003	Randolph	.....	D7/510
D476,850 S *	7/2003	Featherston et al.	.....	D7/510
D480,918 S *	10/2003	Belton et al.	.....	D7/533
D507,151 S *	7/2005	Schuler et al.	.....	D7/509
D510,234 S *	10/2005	Schuler et al.	.....	D7/509
D519,782 S *	5/2006	Schuler et al.	.....	D7/509
D528,365 S *	9/2006	Hsu	.....	D7/529
D530,569 S *	10/2006	Hsu	.....	D7/509
D535,524 S *	1/2007	Kramer	.....	D7/533
D542,599 S *	5/2007	Tien	.....	D7/523
D543,782 S *	6/2007	Elkhatib	.....	D7/510
D544,300 S *	6/2007	Tien	.....	D7/510

D545,128 S *	6/2007	Liu et al.	.....	D7/507
D545,132 S *	6/2007	Bhavnani	.....	D7/536
D545,623 S *	7/2007	Renz et al.	.....	D7/510
D546,122 S *	7/2007	Gluck	.....	D7/509
D556,513 S *	12/2007	Yelland	.....	D7/532
D558,524 S *	1/2008	Schreitmuller	.....	D7/523
D560,970 S *	2/2008	Yelland	.....	D7/536
D577,958 S *	10/2008	Homma	.....	D7/510
D582,723 S *	12/2008	Renz et al.	.....	D7/523

\* cited by examiner

*Primary Examiner*—Marianne Pandozzi

(74) *Attorney, Agent, or Firm*—Clement Cheng

(57) **CLAIM**

The ornamental design for a wave mug, as shown and described.

**DESCRIPTION**

FIG. 1 is a perspective view of a wave mug showing my new design;

FIG. 2 is a right side view thereof;

FIG. 3 is a left side view thereof;

FIG. 4 is a front view thereof;

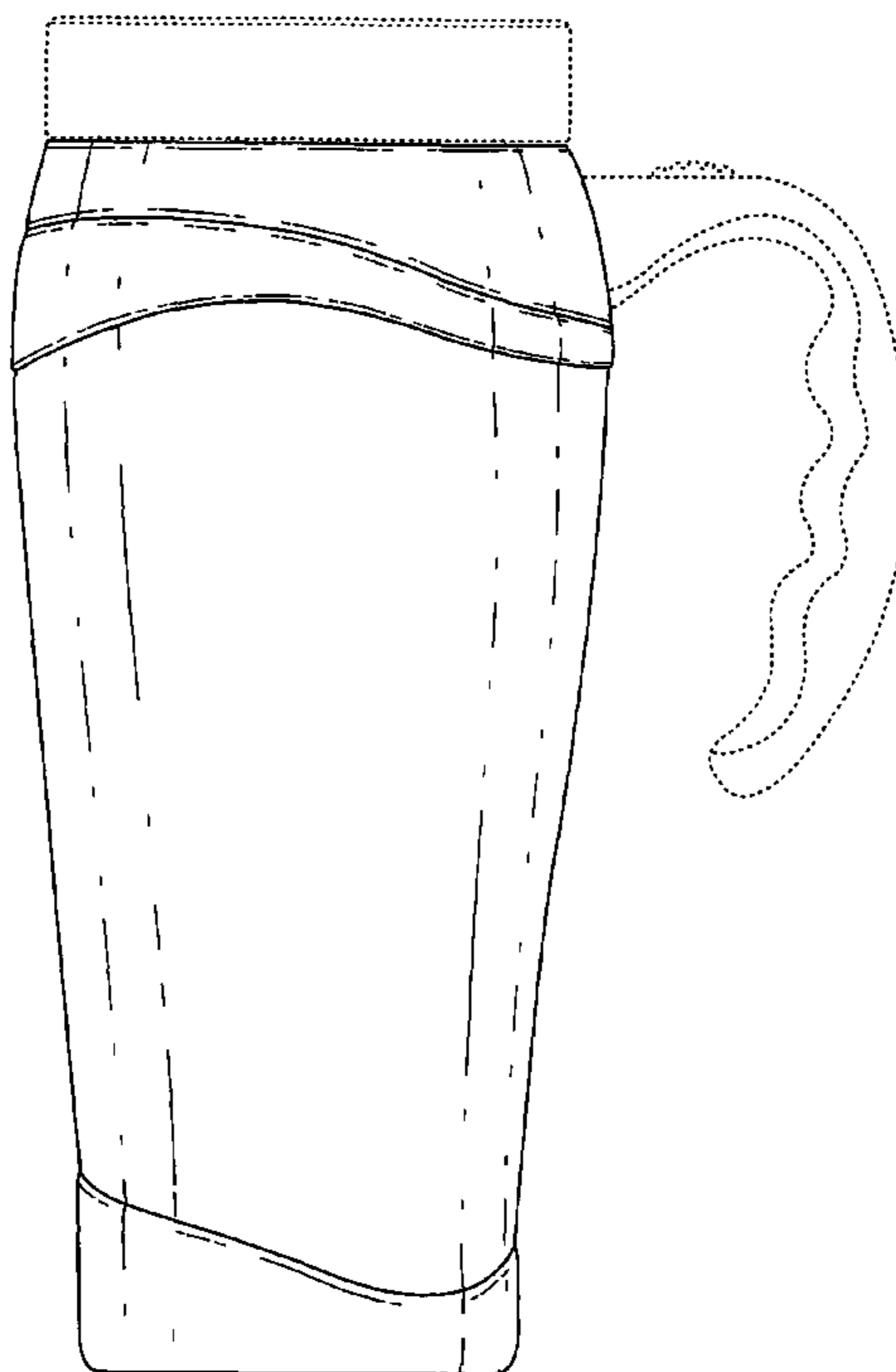
FIG. 5 is a rear view thereof;

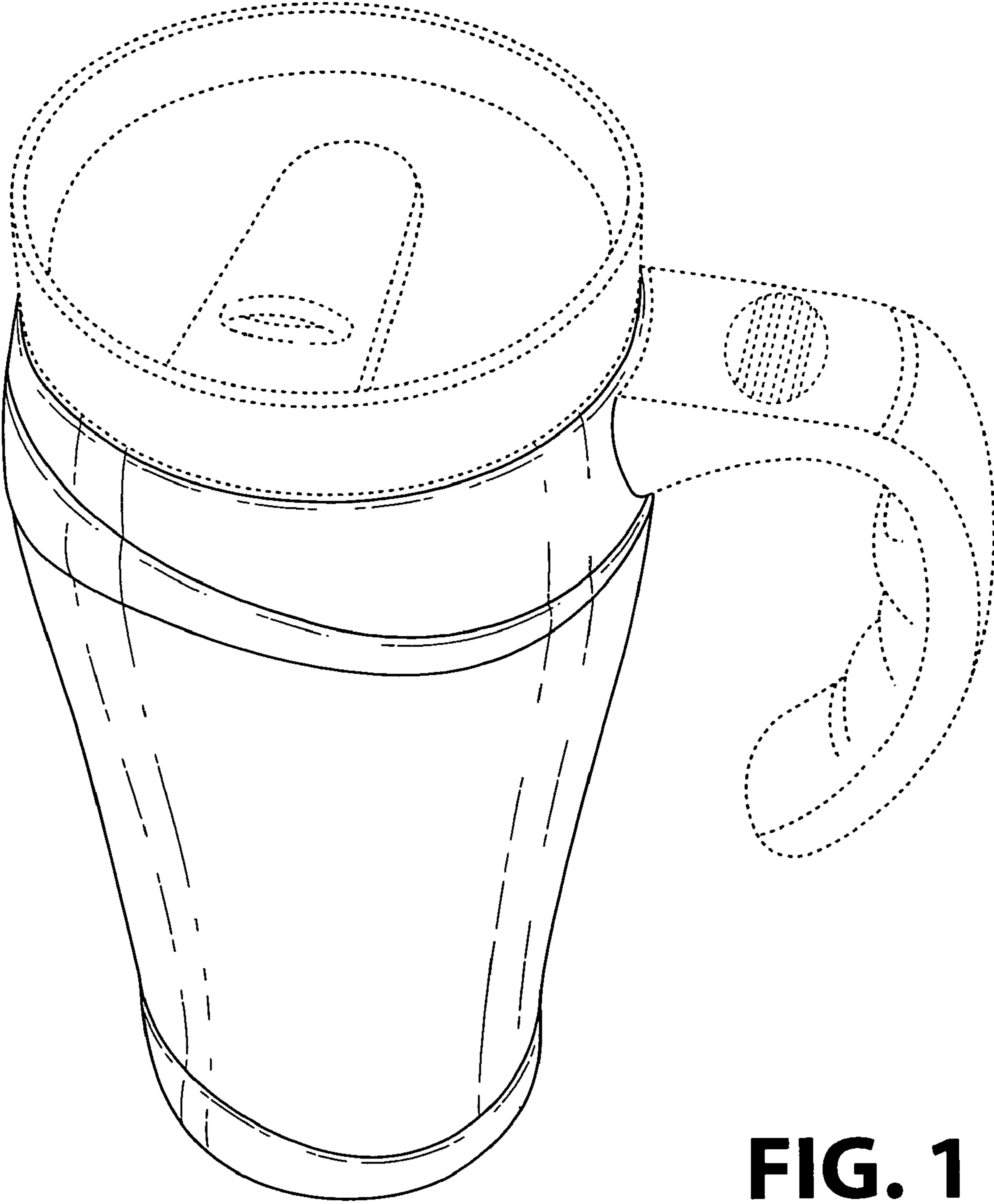
FIG. 6 is a top plan view thereof; and,

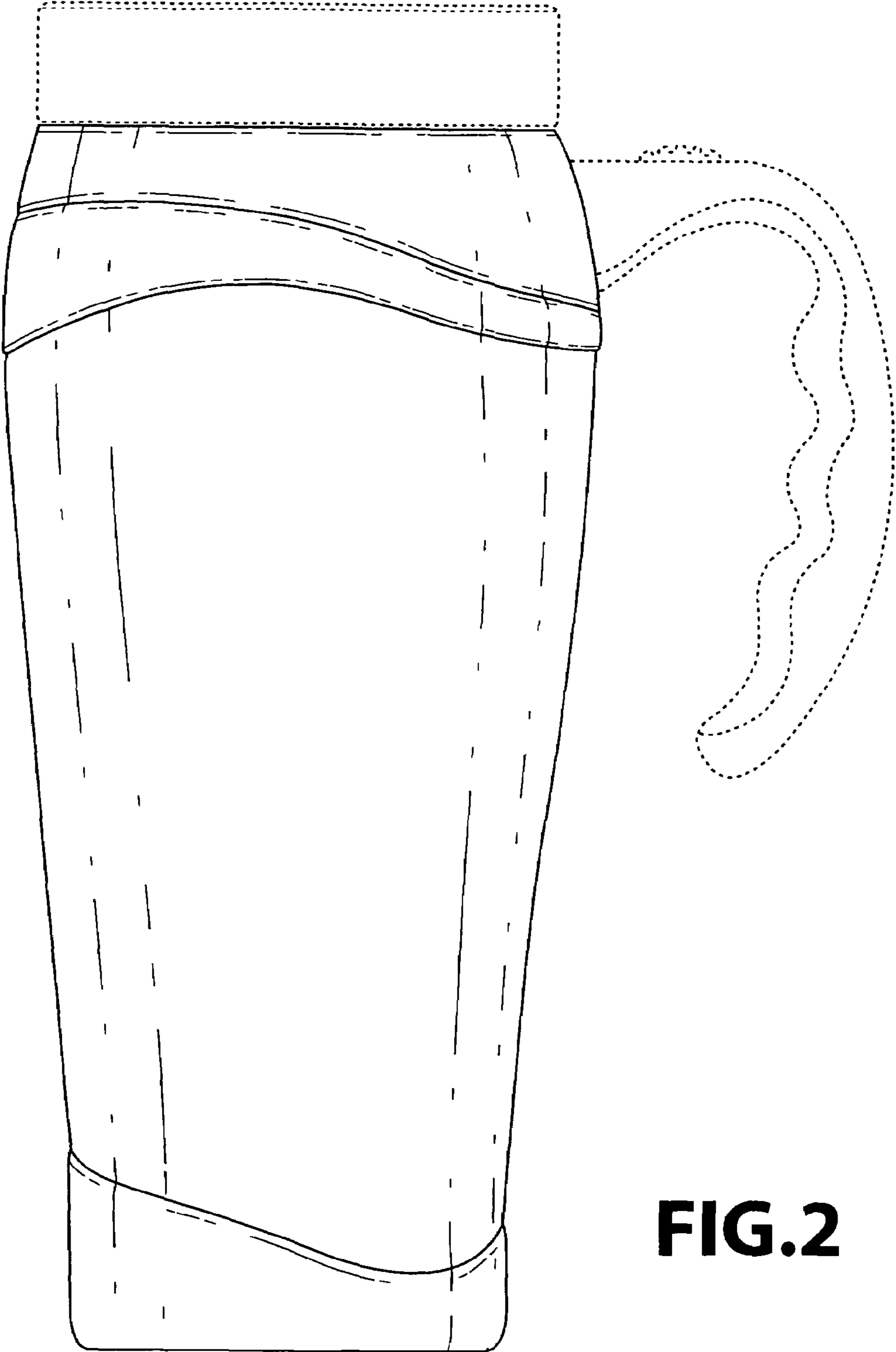
FIG. 7 is a bottom plan view thereof.

The broken lines in the drawings are included for the purpose of illustration and form no part of the claimed design.

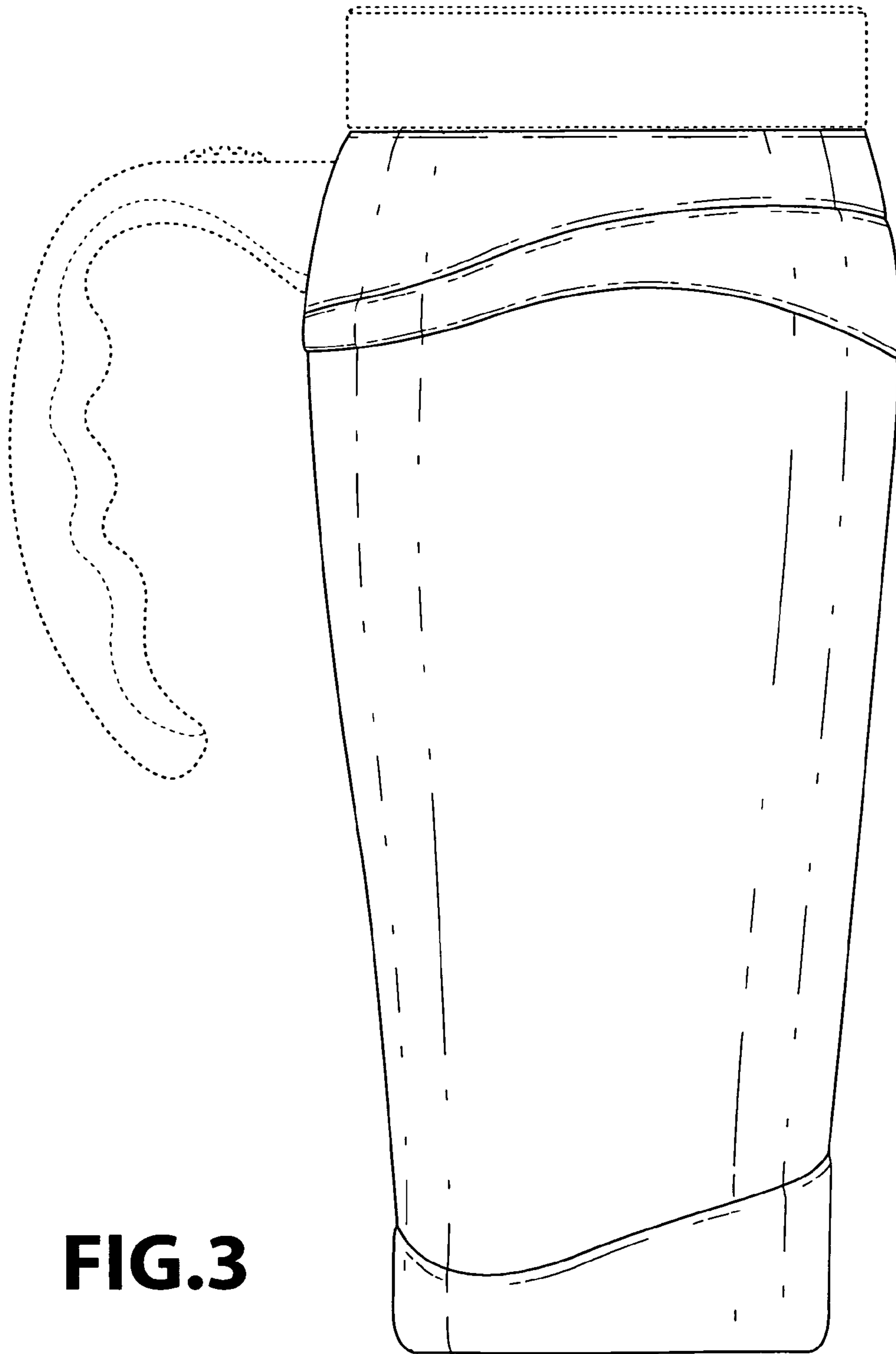
**1 Claim, 6 Drawing Sheets**



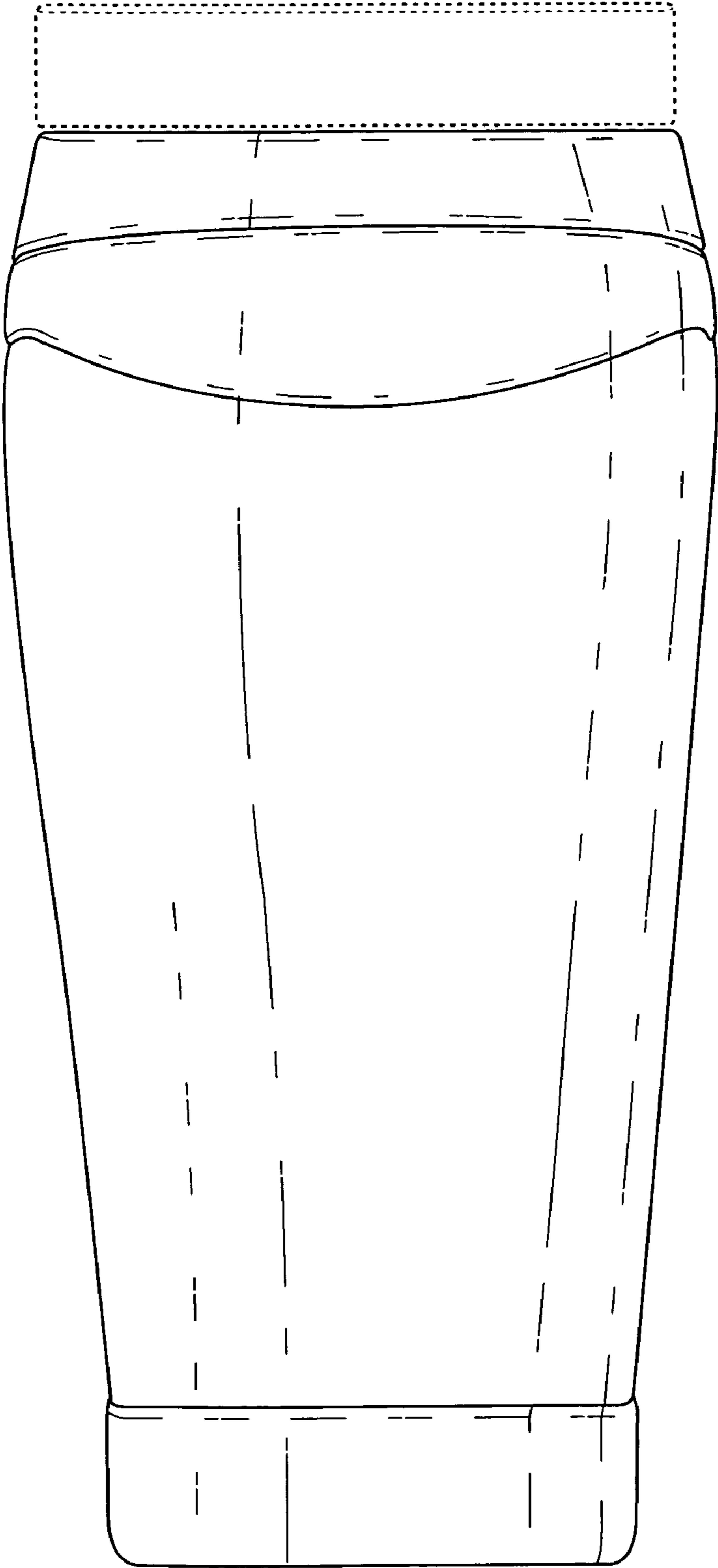




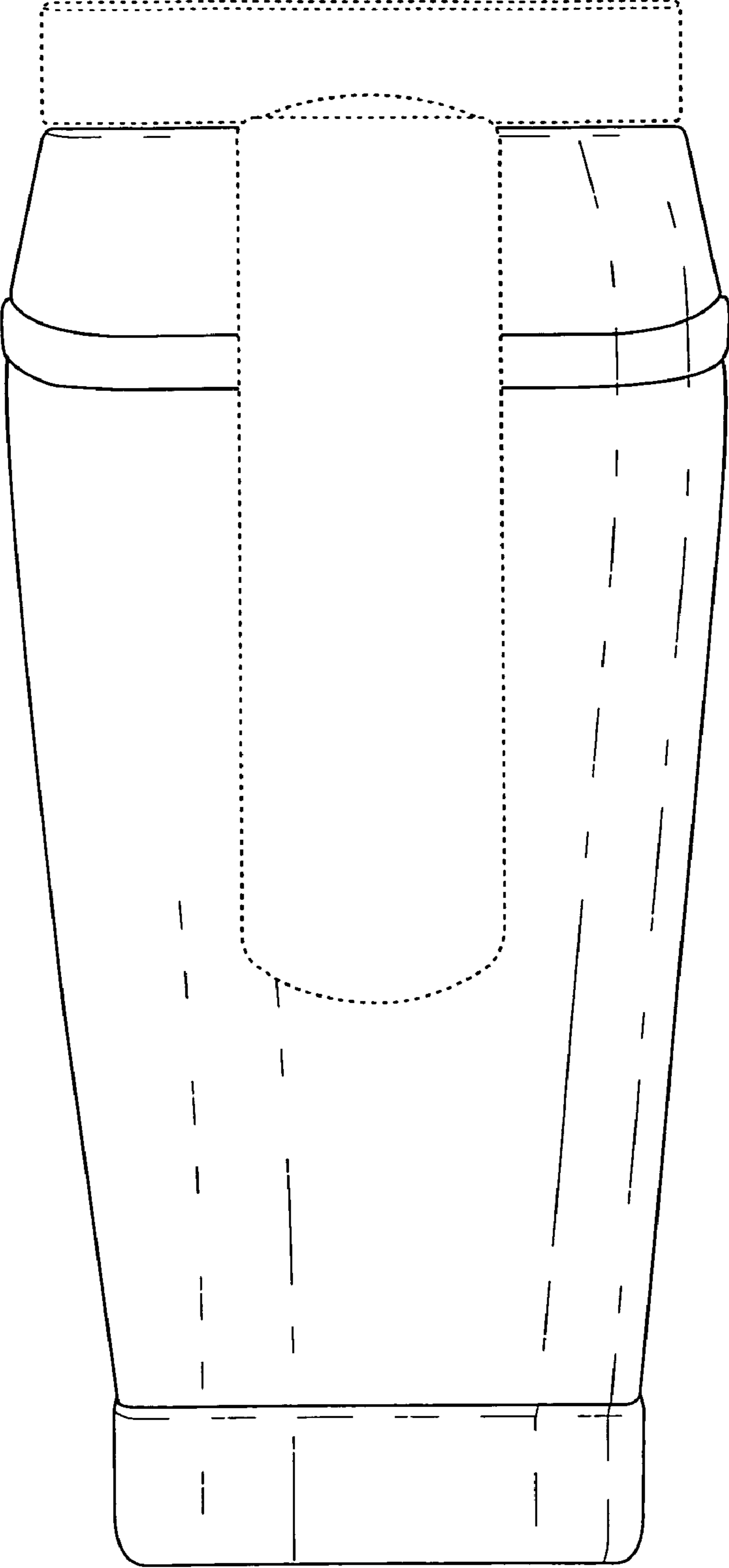
**FIG.2**



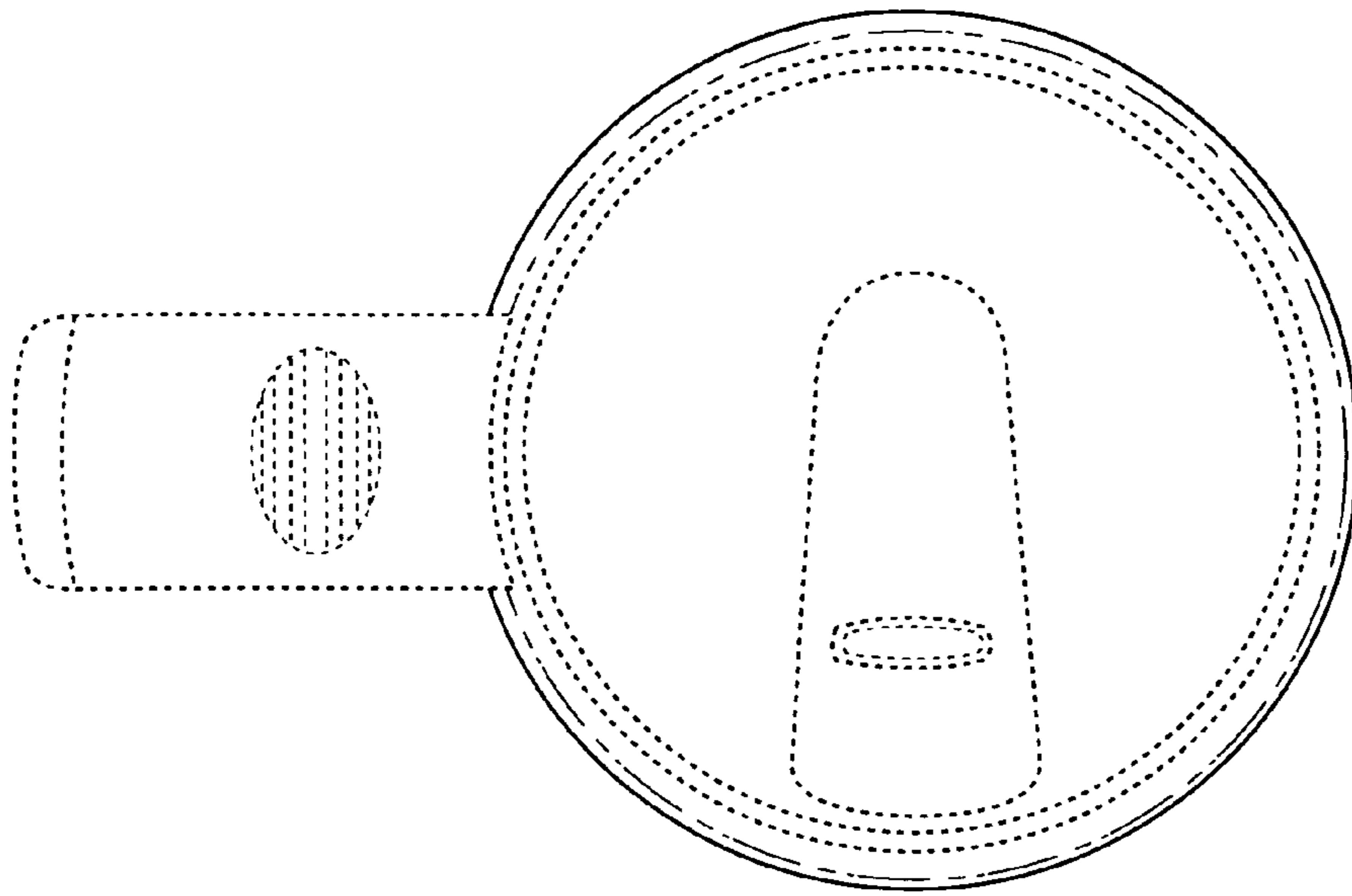
**FIG. 3**



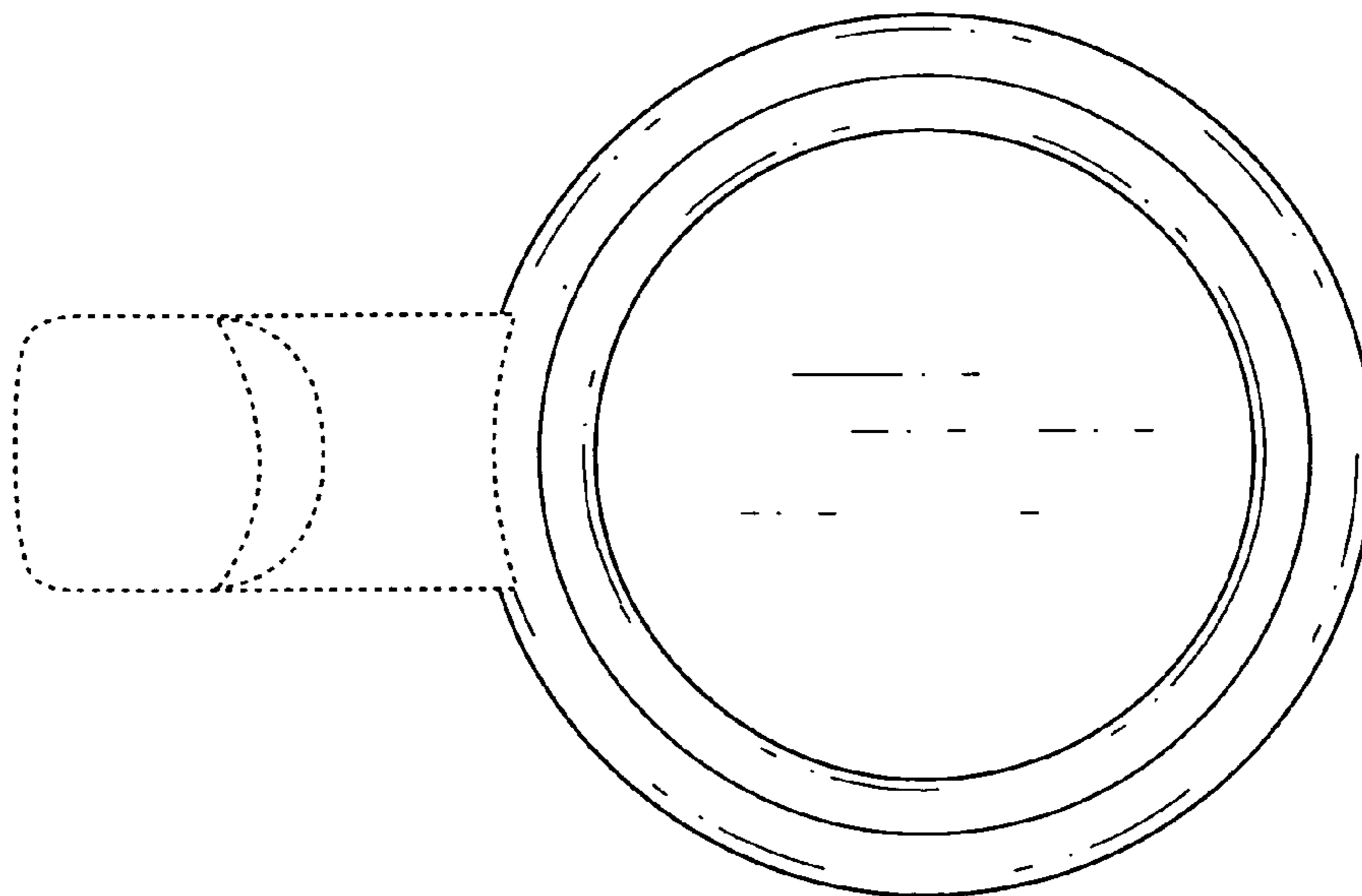
**FIG.4**



**FIG.5**



**FIG.6**



**FIG.7**